



US00D883653S

(12) **United States Design Patent**
Ritter

(10) **Patent No.:** **US D883,653 S**
(45) **Date of Patent:** **** May 12, 2020**

(54) **CANE AND PACKAGING**

DESCRIPTION

- (71) Applicant: **Medline Industries, Inc.**, Northfield, IL (US)
- (72) Inventor: **Joseph Ritter**, Arlington Heights, IL (US)
- (73) Assignee: **Medline Industries, Inc.**, Northfield, IL (US)
- (**) Term: **15 Years**
- (21) Appl. No.: **29/692,132**
- (22) Filed: **May 22, 2019**

Related U.S. Application Data

- (63) Continuation of application No. 16/380,900, filed on Apr. 10, 2019.
- (51) **LOC (12) Cl.** **03-03**
- (52) **U.S. Cl.**
USPC **D3/9**
- (58) **Field of Classification Search**
USPC D3/5-13, 16, 17; D9/414, 415, 432, 433
(Continued)

(56) **References Cited**

U.S. PATENT DOCUMENTS

- D187,450 S * 3/1960 Maxwell et al. D3/9
 - D229,728 S * 12/1973 Morton et al. D3/9
- (Continued)

FOREIGN PATENT DOCUMENTS

EP 841054 5/1998

Primary Examiner — Steven J Czyz

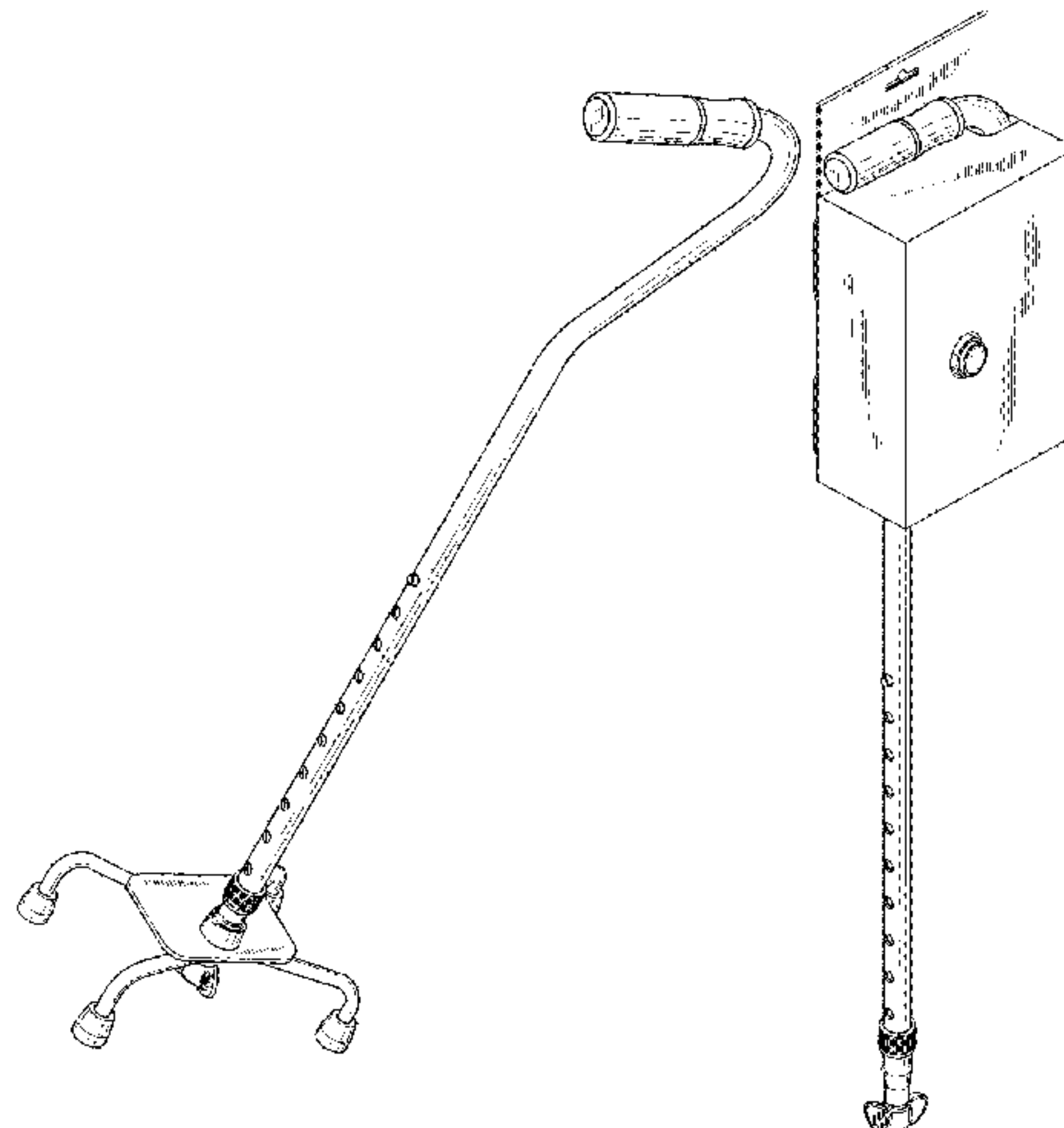
(74) *Attorney, Agent, or Firm* — Philip H. Burrus, IV

(57) **CLAIM**

The ornamental design for a cane and packaging, as shown and described.

FIG. 1 is a top, right perspective view of a cane portion of the cane and packaging, shown assembled and separately for ease of disclosure;
 FIG. 2 is a bottom, left perspective view thereof;
 FIG. 3 is a rear elevation view thereof;
 FIG. 4 is a front elevation view thereof;
 FIG. 5 is a right side elevation view thereof;
 FIG. 6 is a left side elevation view thereof;
 FIG. 7 is a top plan view thereof;
 FIG. 8 is a bottom plan view thereof; and
 FIG. 9 is a partial view of the cane portion of the cane and packaging, shown in a partially disassembled state for ease of disclosure;
 FIG. 10 is a bottom, left perspective view of the cane portion of the cane and packaging, shown in a partially disassembled state for ease of disclosure;
 FIG. 11 is a rear elevation view thereof;
 FIG. 12 is a front elevation view thereof;
 FIG. 13 is a right side elevation view thereof;
 FIG. 14 is a left side elevation view thereof;
 FIG. 15 is a top plan view thereof; and
 FIG. 16 is a bottom plan view thereof.
 FIG. 17 is a top, right perspective view of the cane and packaging;
 FIG. 18 is a bottom, left perspective view thereof;
 FIG. 19 is a right side elevation view thereof;
 FIG. 20 is a left side elevation view thereof;
 FIG. 21 is a front elevation view thereof;
 FIG. 22 is a rear elevation view thereof;
 FIG. 23 is a top plan view thereof; and
 FIG. 24 is a bottom plan view thereof.
 FIG. 25 is a bottom, left perspective view of the cane portion of the cane and packaging, shown in an alternate partially disassembled state for ease of disclosure;
 FIG. 26 is a rear elevation view thereof;
 FIG. 27 is a front elevation view thereof;
 FIG. 28 is a right side elevation view thereof;
 FIG. 29 is a left side elevation view thereof;
 FIG. 30 is a top plan view thereof; and
 FIG. 31 is a bottom plan view thereof.

(Continued)



The broken lines depict portions of the cane and packaging that form no part of the claimed design.

1 Claim, 19 Drawing Sheets

(58) Field of Classification Search

CPC A45B 1/00; A45B 3/00; A45B 7/00; A45B 7/005; A45B 9/00; A45B 2009/002; A45B 2009/005; A45B 2009/007; A45B 9/04; A61H 3/04; A61H 3/06; A61H 3/068
See application file for complete search history.

(56) References Cited

U.S. PATENT DOCUMENTS

D230,531 S * 2/1974 Morton et al. D3/9
4,044,784 A * 8/1977 Smith A45B 7/00
135/67
D272,677 S * 2/1984 Bove D3/9
4,528,998 A * 7/1985 Gamm A45B 9/00
135/75
D290,186 S * 6/1987 Meunchen D3/9
4,997,001 A * 3/1991 DiCarlo A45B 9/04
135/65
D324,946 S * 3/1992 Karten D3/17
5,238,013 A * 8/1993 Battiston A45B 9/04
135/75
5,331,990 A * 7/1994 Hall A45B 3/00
135/65

5,640,985 A * 6/1997 Snyder A45B 3/00
135/65
5,806,548 A 9/1998 Goldstein et al.
D408,126 S * 4/1999 Hunnicutt D3/7
D411,653 S * 6/1999 Richey D3/10
5,941,262 A * 8/1999 Tschirhart A61H 3/00
135/65
D417,068 S * 11/1999 Swercheck, Sr. D3/7
D419,288 S * 1/2000 Hartfield D3/7
6,158,453 A * 12/2000 Nasco A45B 1/02
135/77
D522,232 S * 6/2006 Karasin D3/10
D528,780 S * 9/2006 Karasin D3/10
D539,523 S * 4/2007 Wu D3/7
D552,245 S * 10/2007 Davis D24/188
D552,340 S * 10/2007 Graves D3/7
D590,591 S * 4/2009 Yates D12/130
D595,501 S * 7/2009 Sawada D3/11
D600,002 S * 9/2009 Fulkerson D3/8
7,600,523 B1 * 10/2009 Hawkesworth A61H 3/0277
135/65
D621,601 S * 8/2010 Greissinger D3/7
D632,069 S * 2/2011 Thiessens D3/7
D671,308 S * 11/2012 Treanor D3/17
8,453,661 B2 * 6/2013 Hutt A45B 1/04
135/66
8,607,809 B2 * 12/2013 Jordan A45B 3/04
135/66
9,675,515 B2 * 6/2017 Chou A45B 3/04
9,795,530 B2 * 10/2017 Jordan A45B 7/00
D818,699 S * 5/2018 Lee D3/9
10,186,129 B2 * 1/2019 Hood G08B 21/02
2016/0300469 A1 10/2016 Hood

* cited by examiner

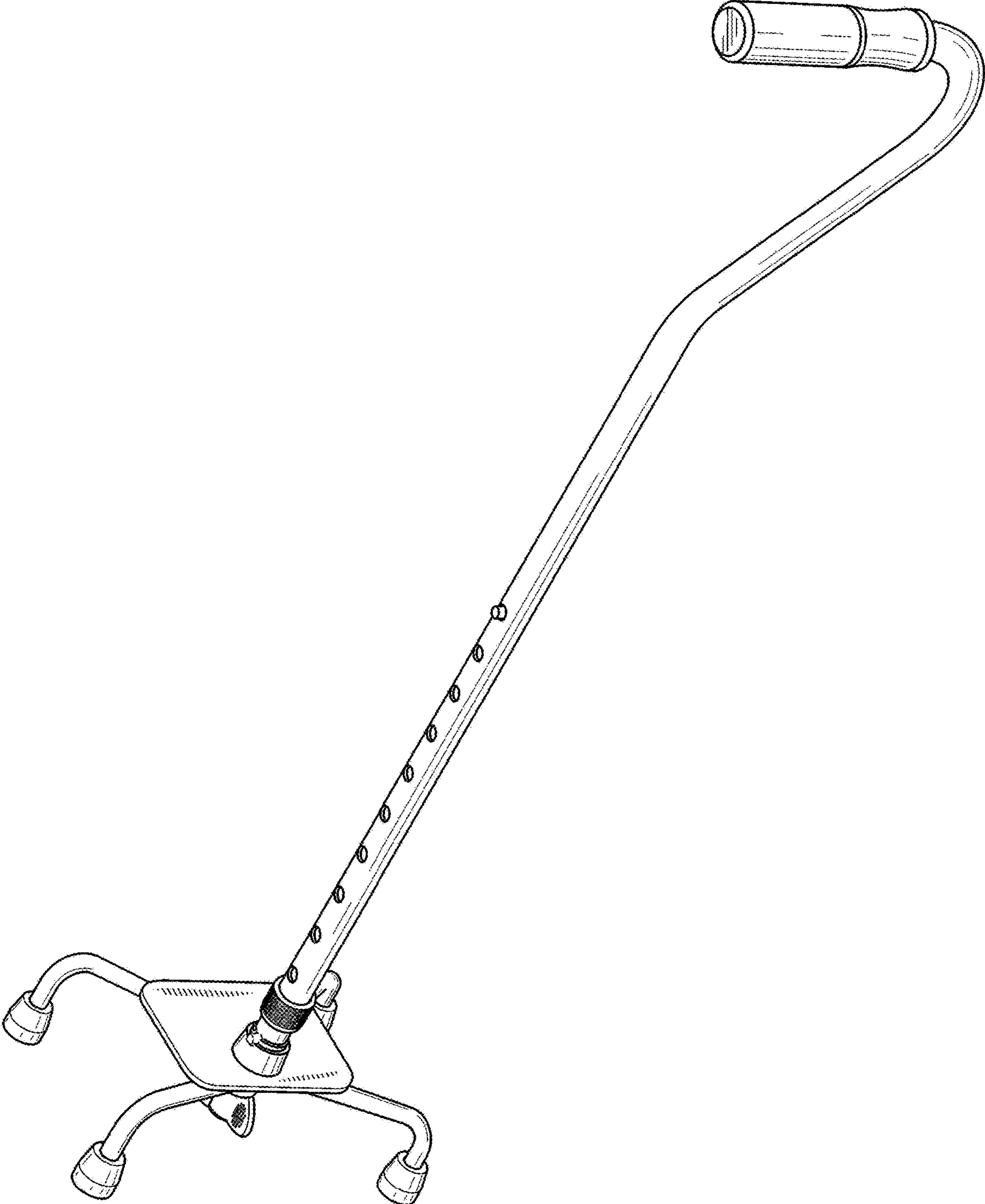


FIG. 1

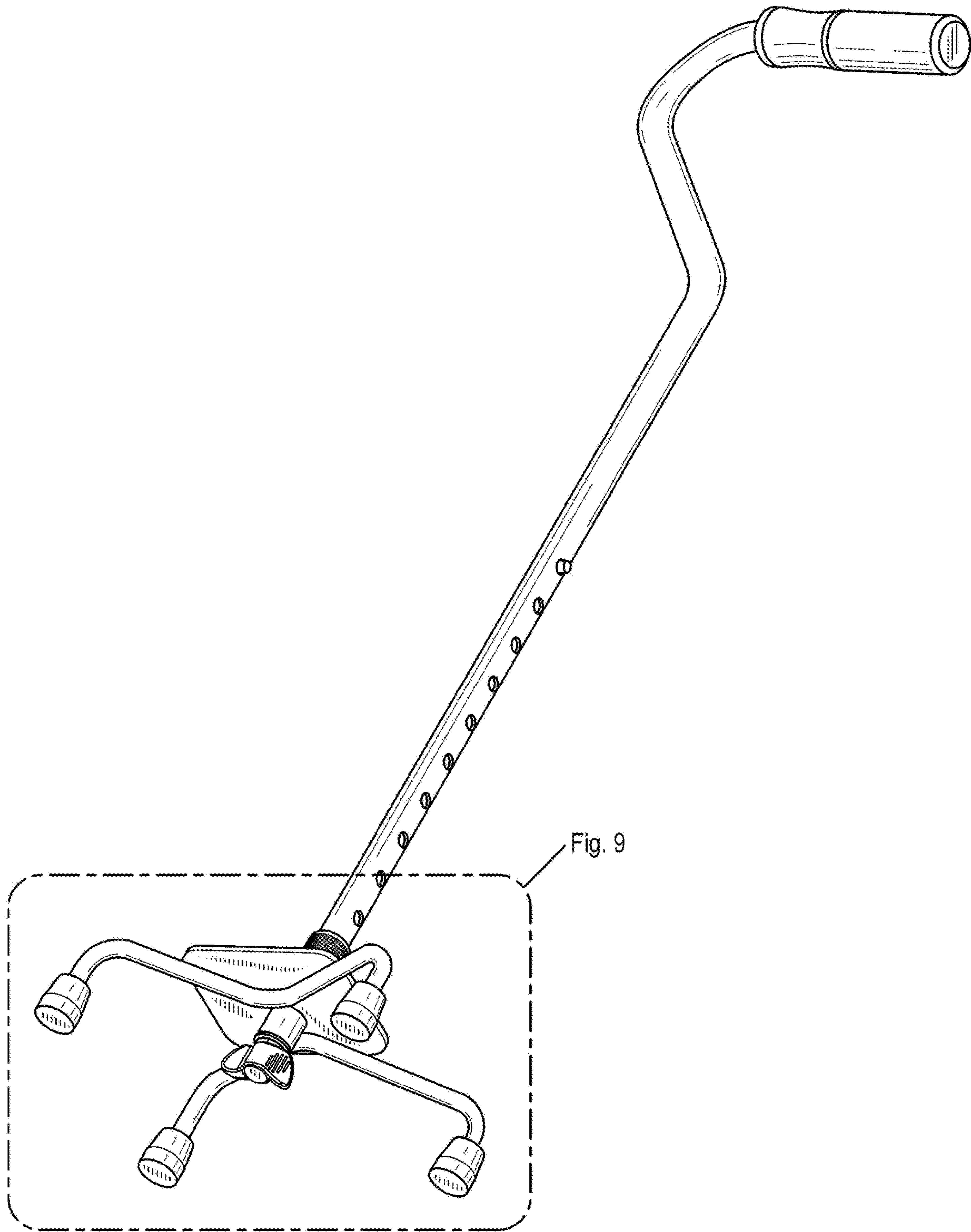


FIG. 2

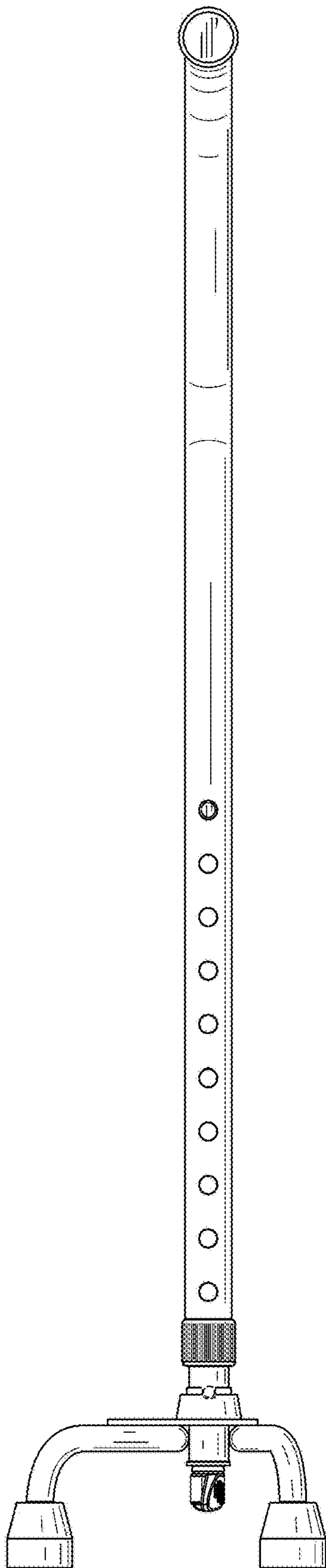


FIG. 3

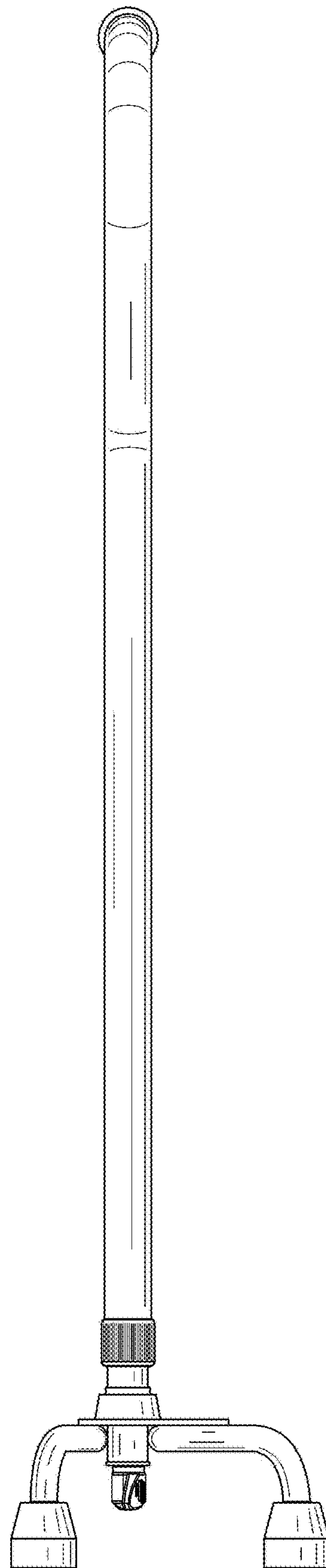


FIG. 4

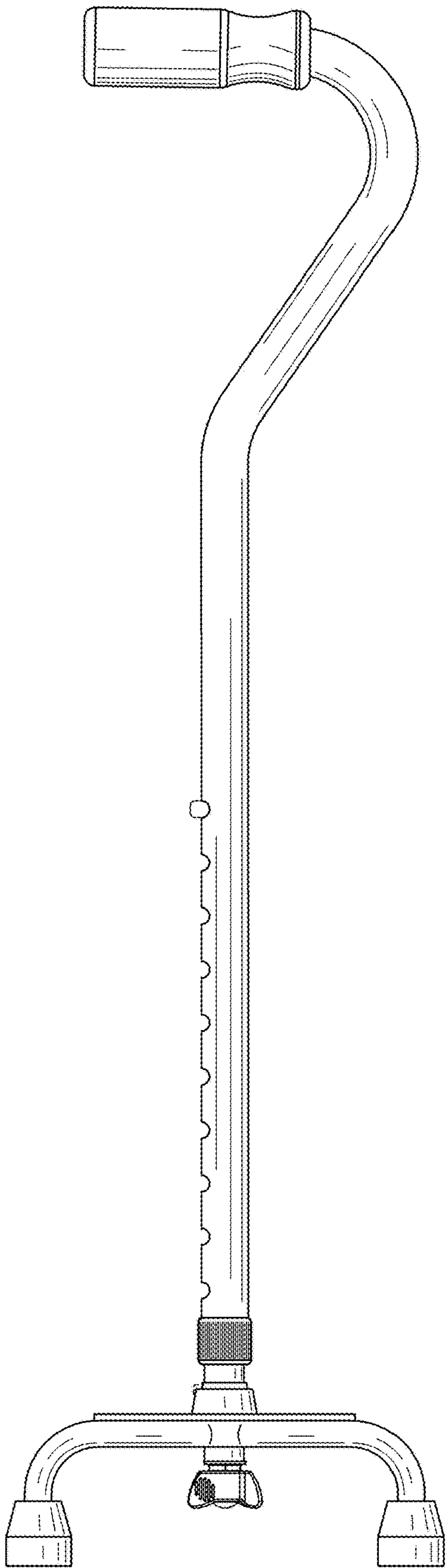


FIG. 5

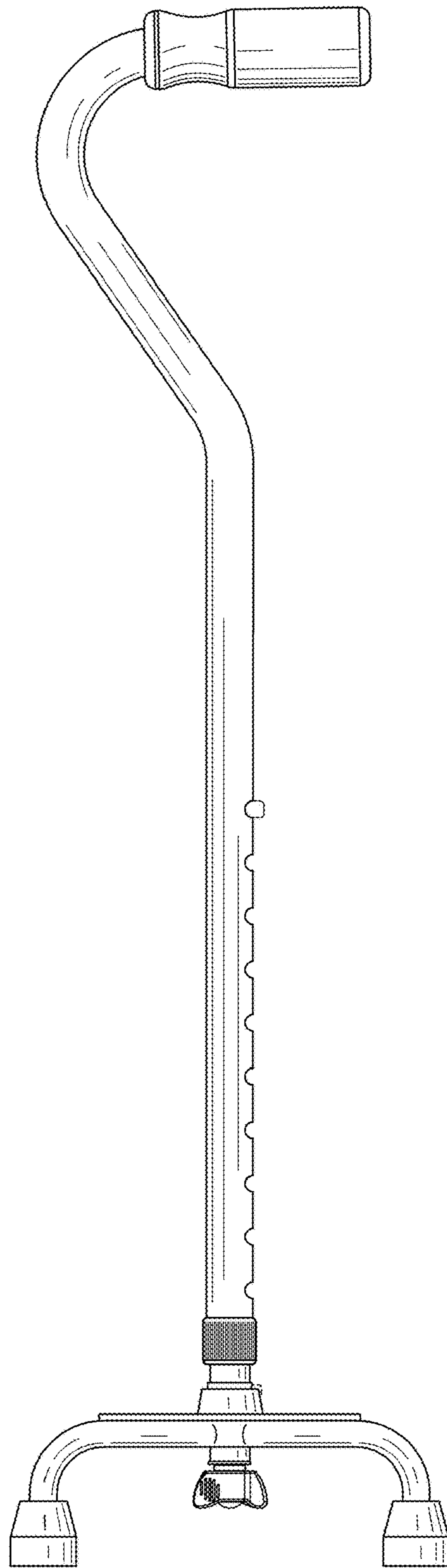


FIG. 6

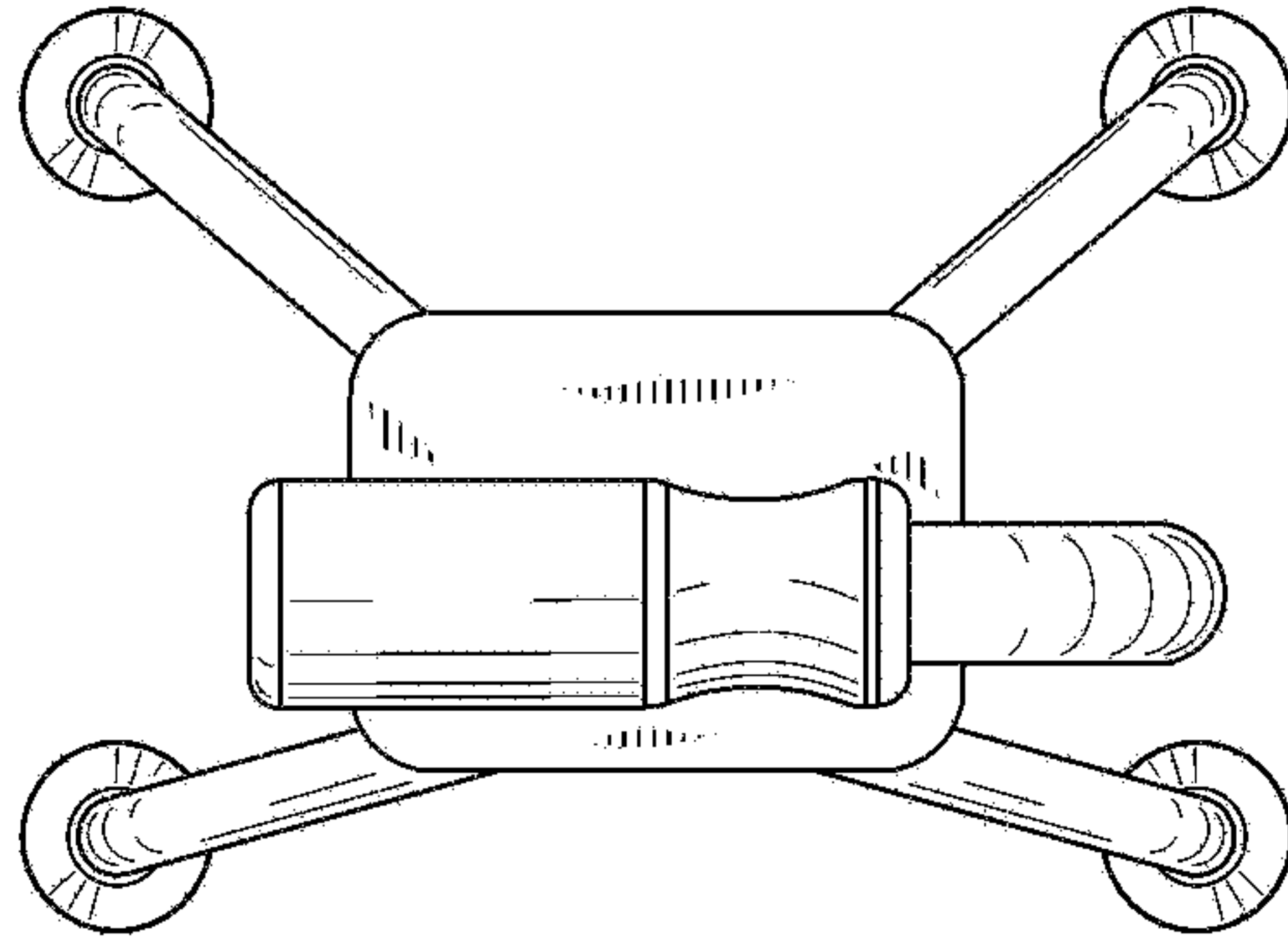


FIG. 7

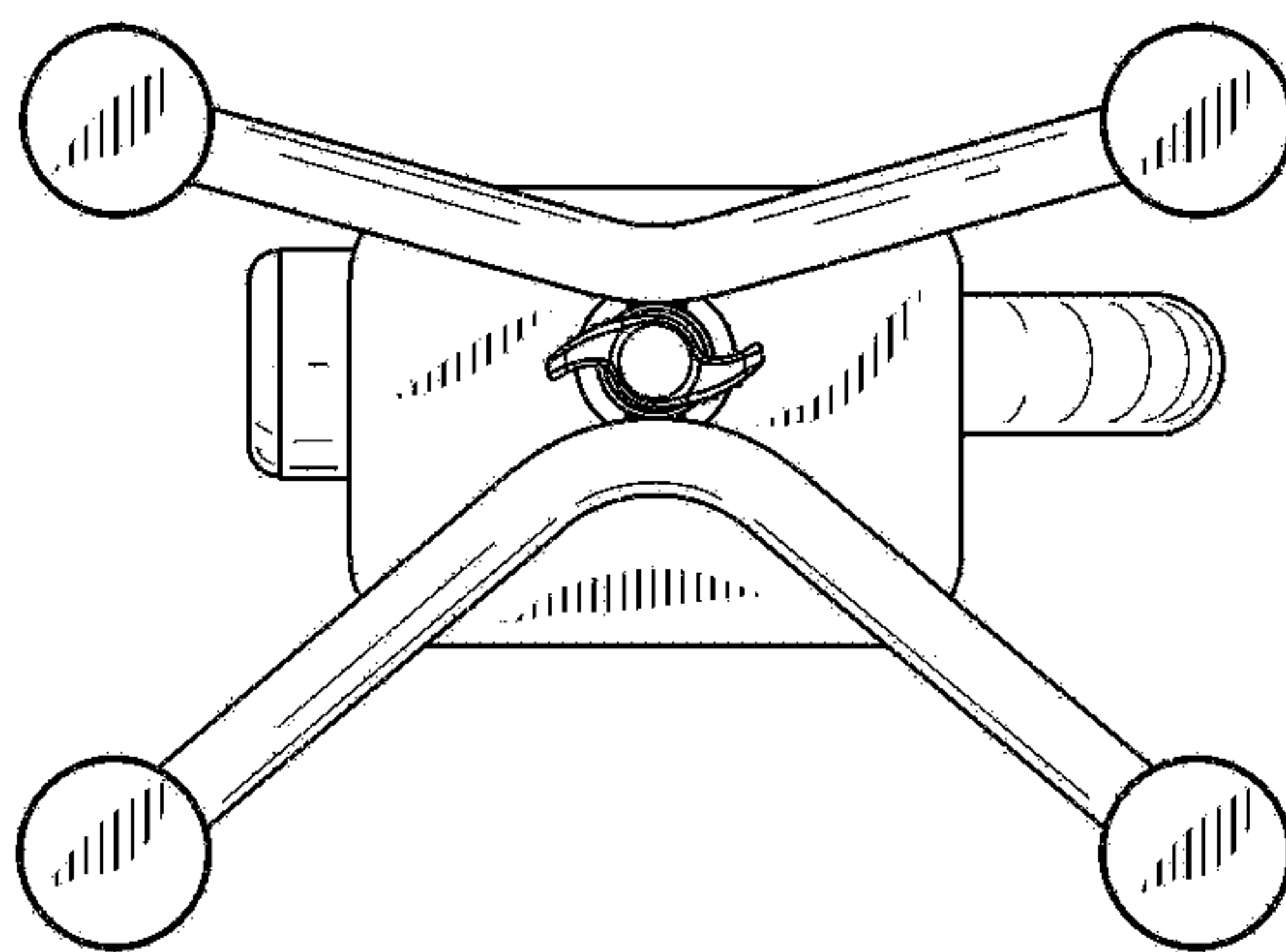


FIG. 8

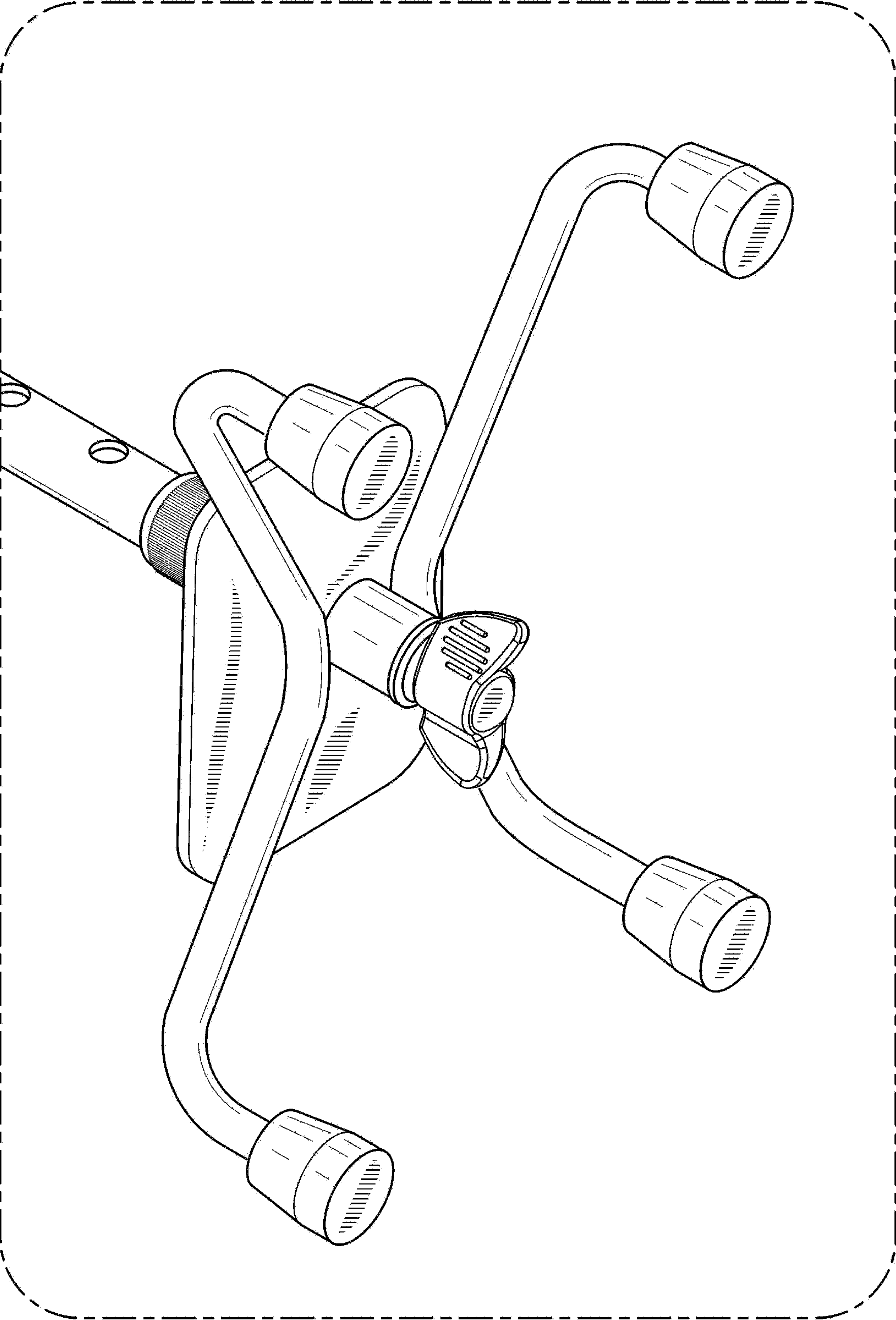


FIG. 9

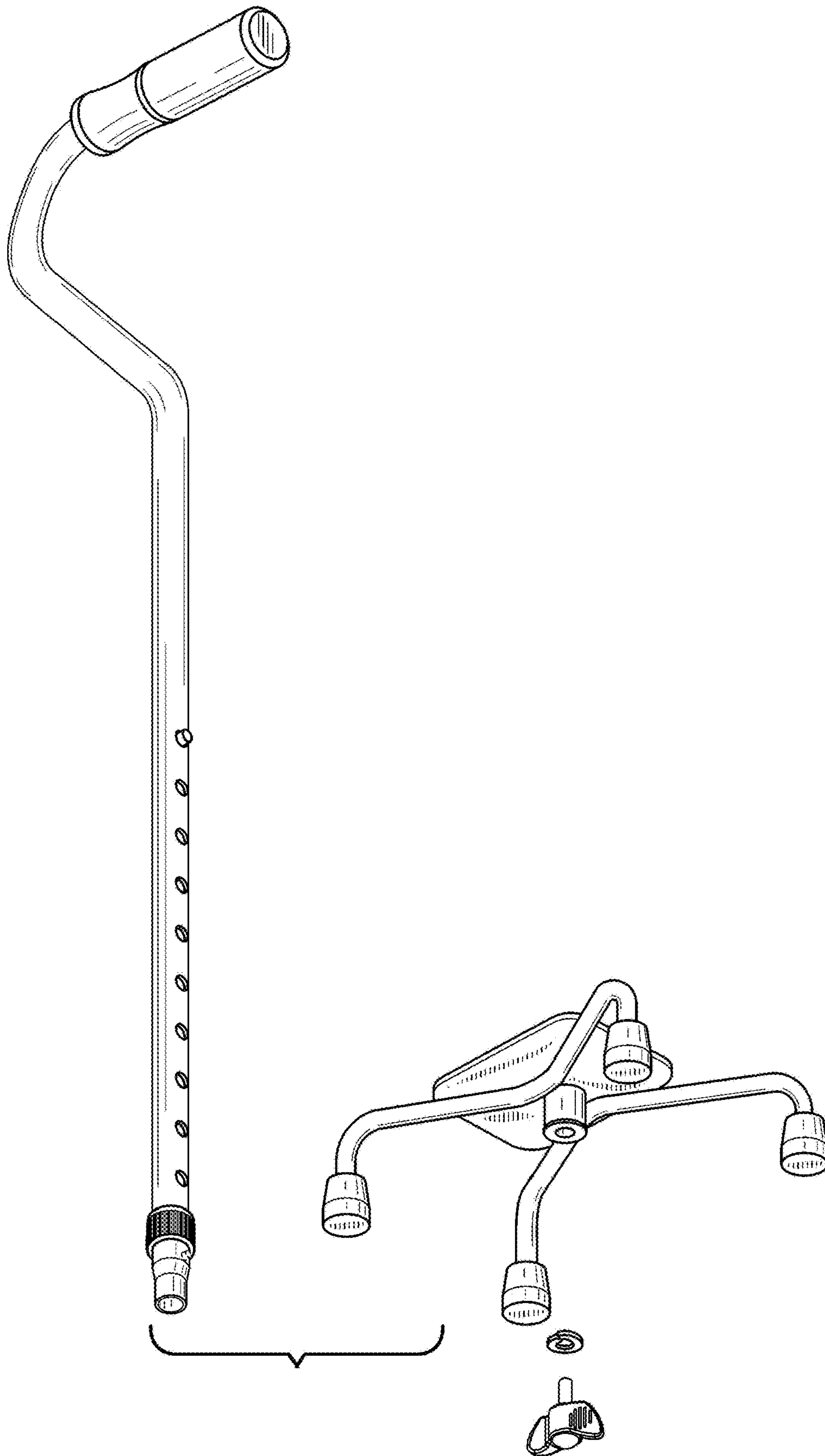


FIG. 10

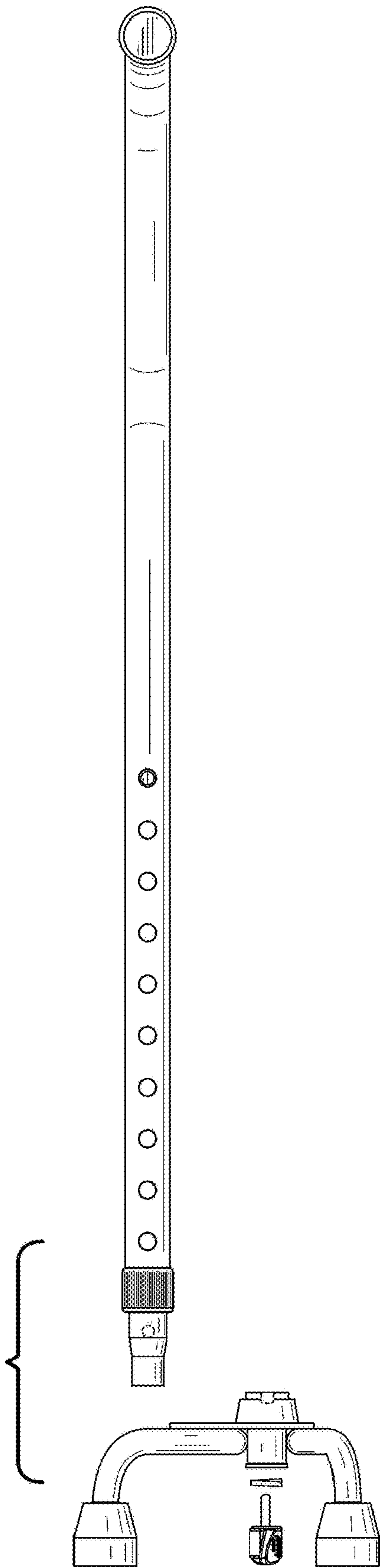


FIG. 11

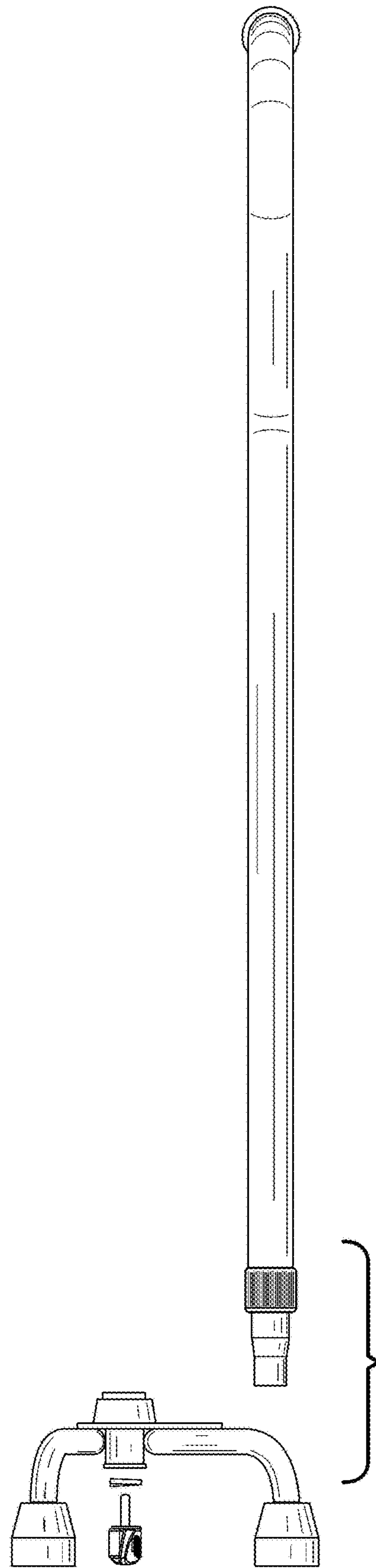


FIG. 12

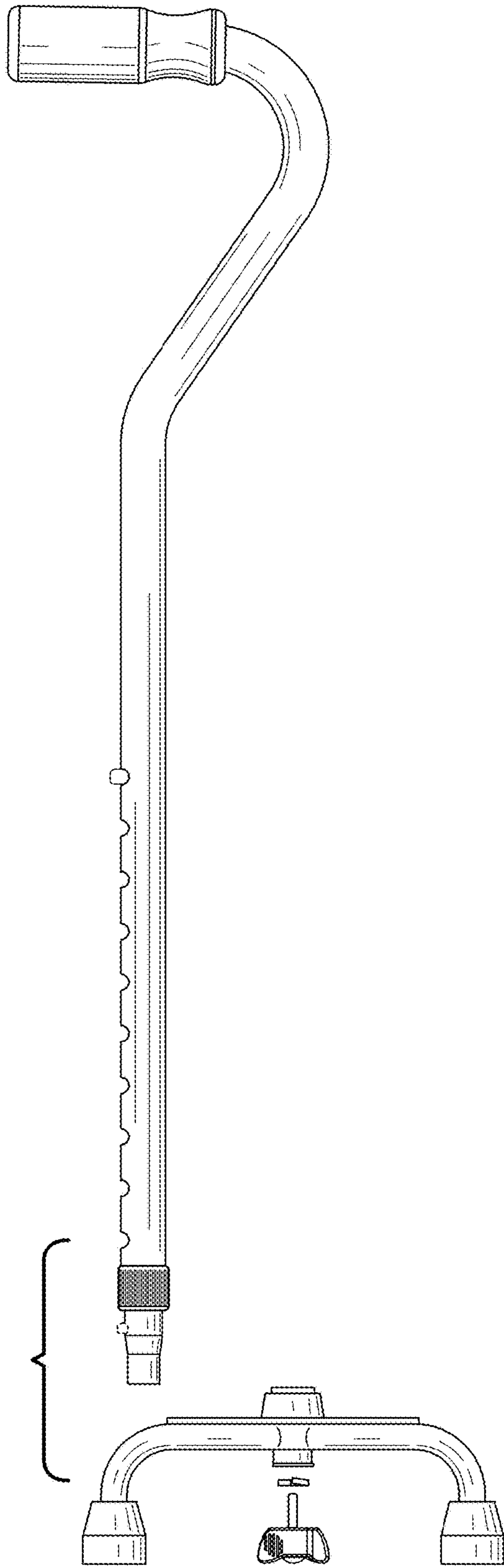


FIG. 13

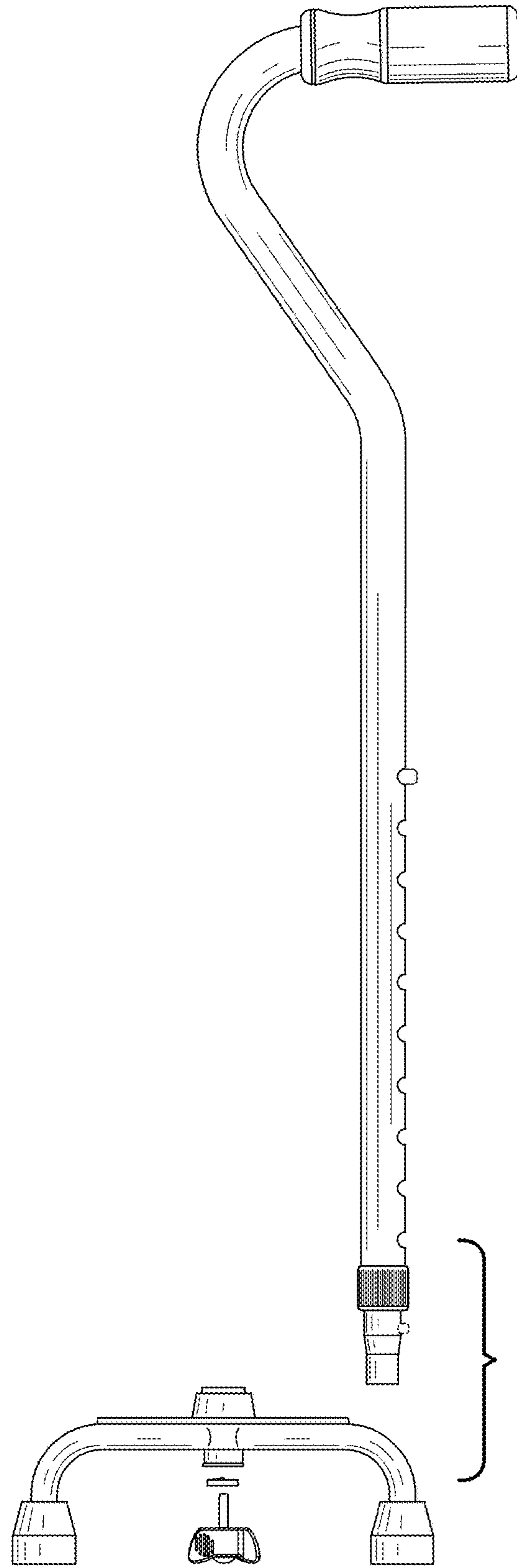


FIG. 14

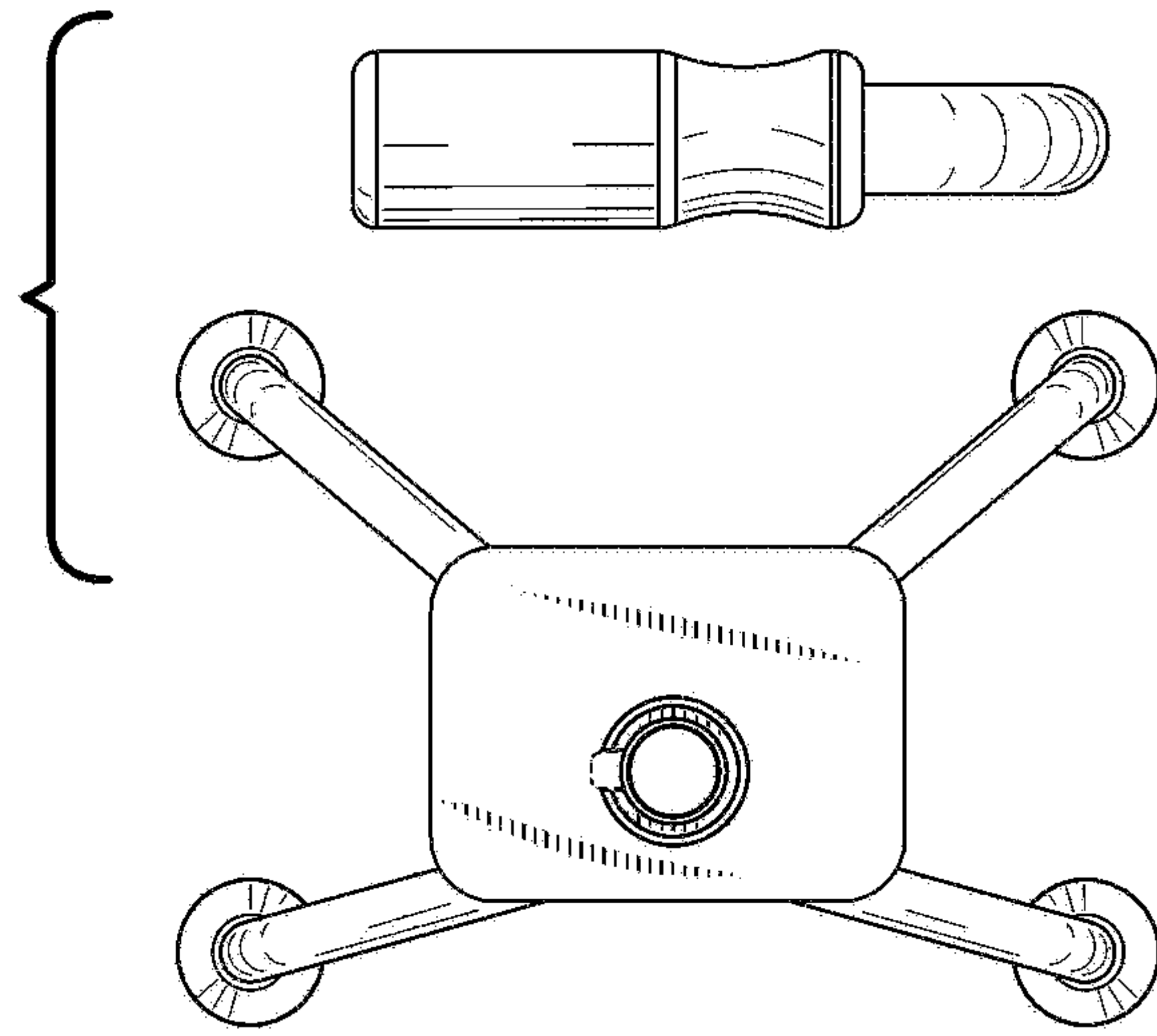


FIG. 15

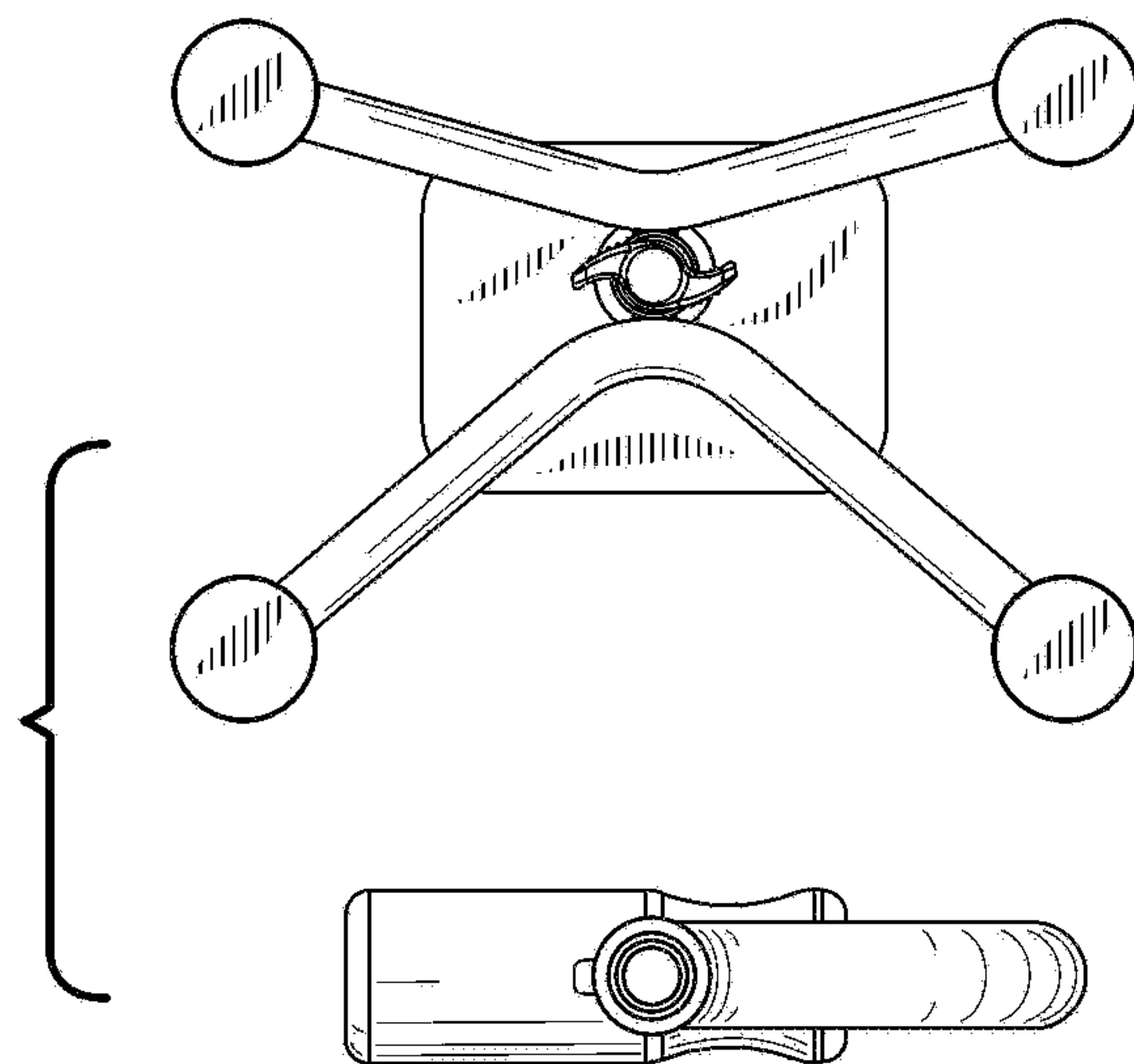


FIG. 16

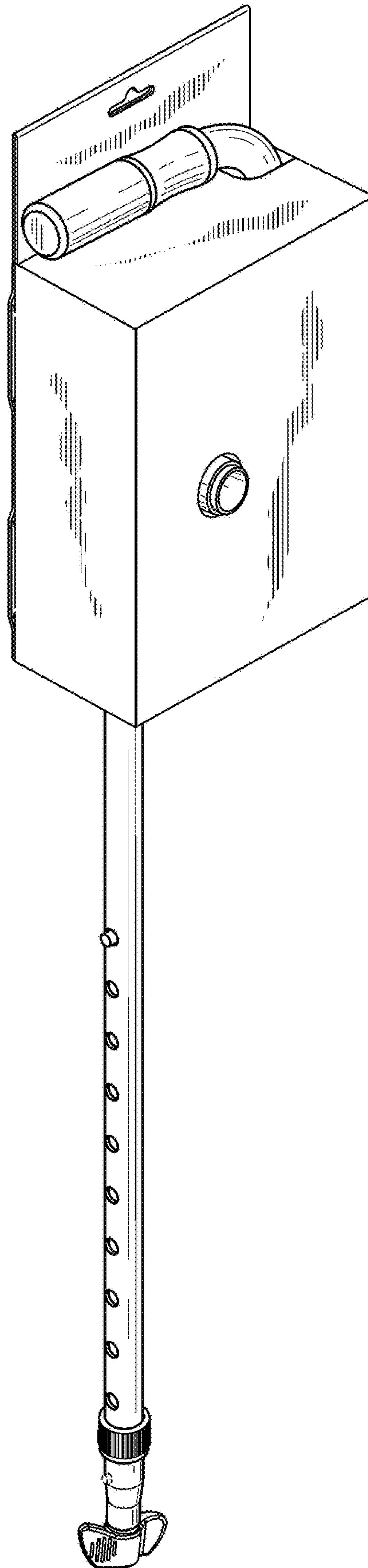


FIG. 17

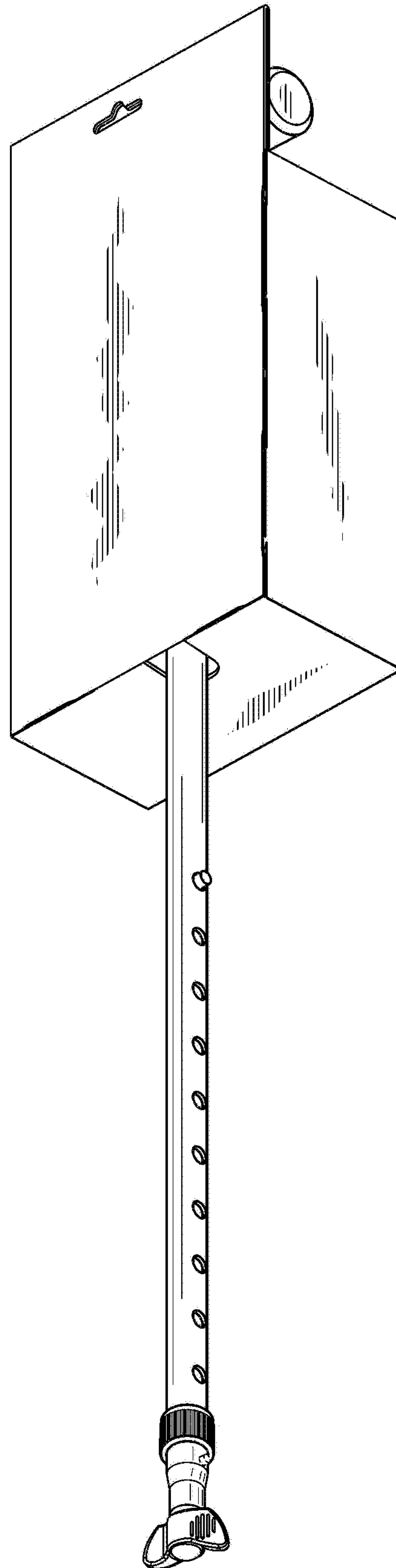


FIG. 18

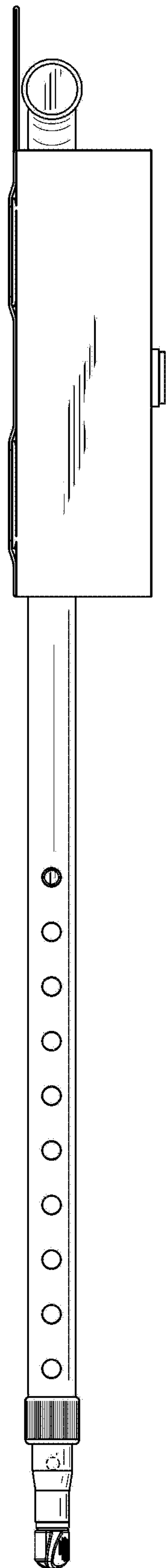


FIG. 19

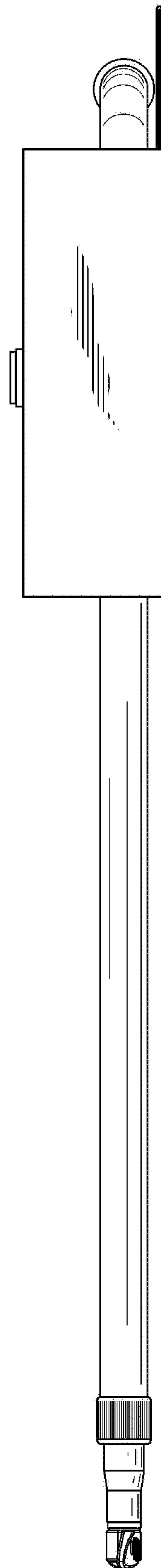


FIG. 20

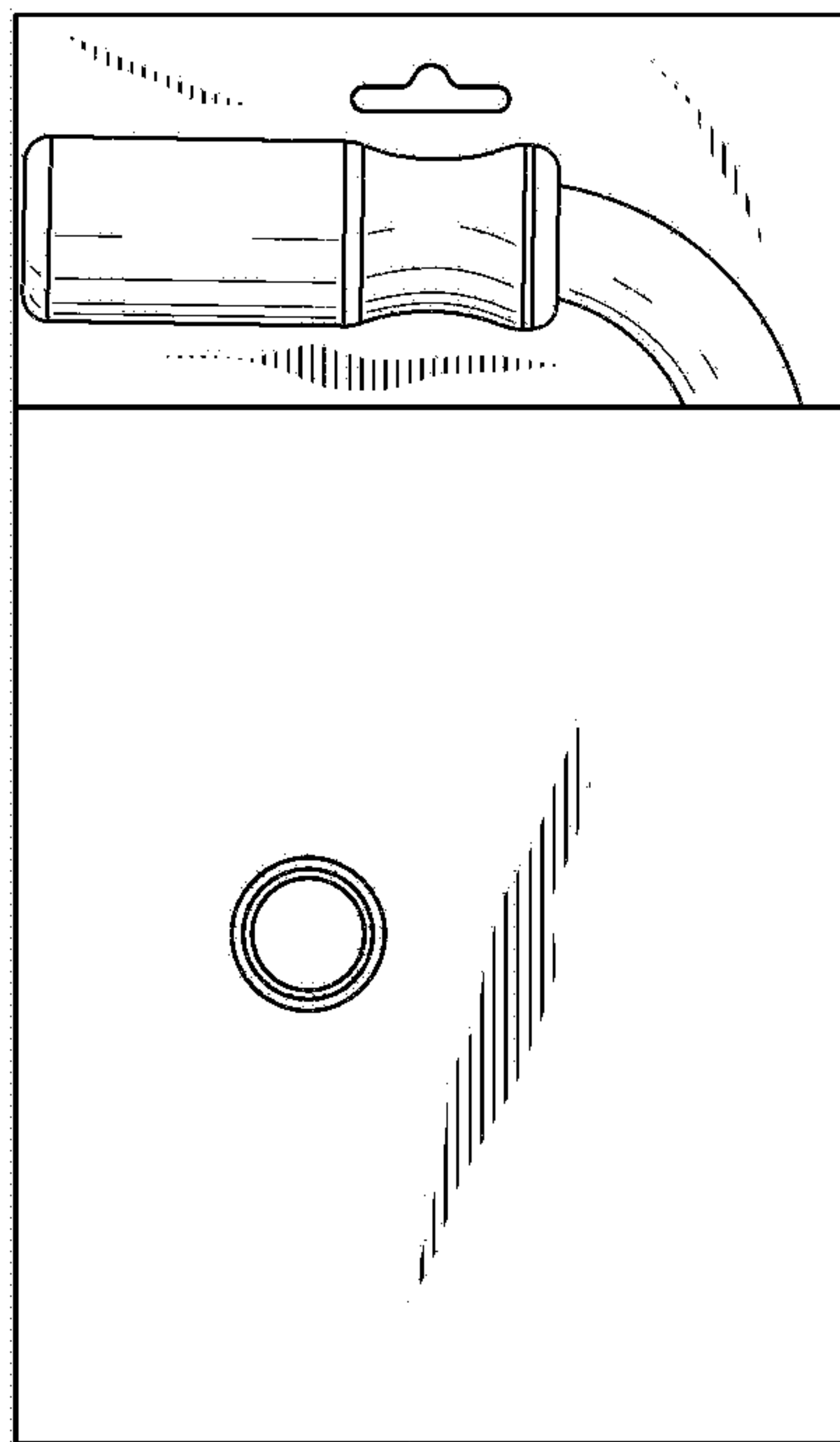


FIG. 21

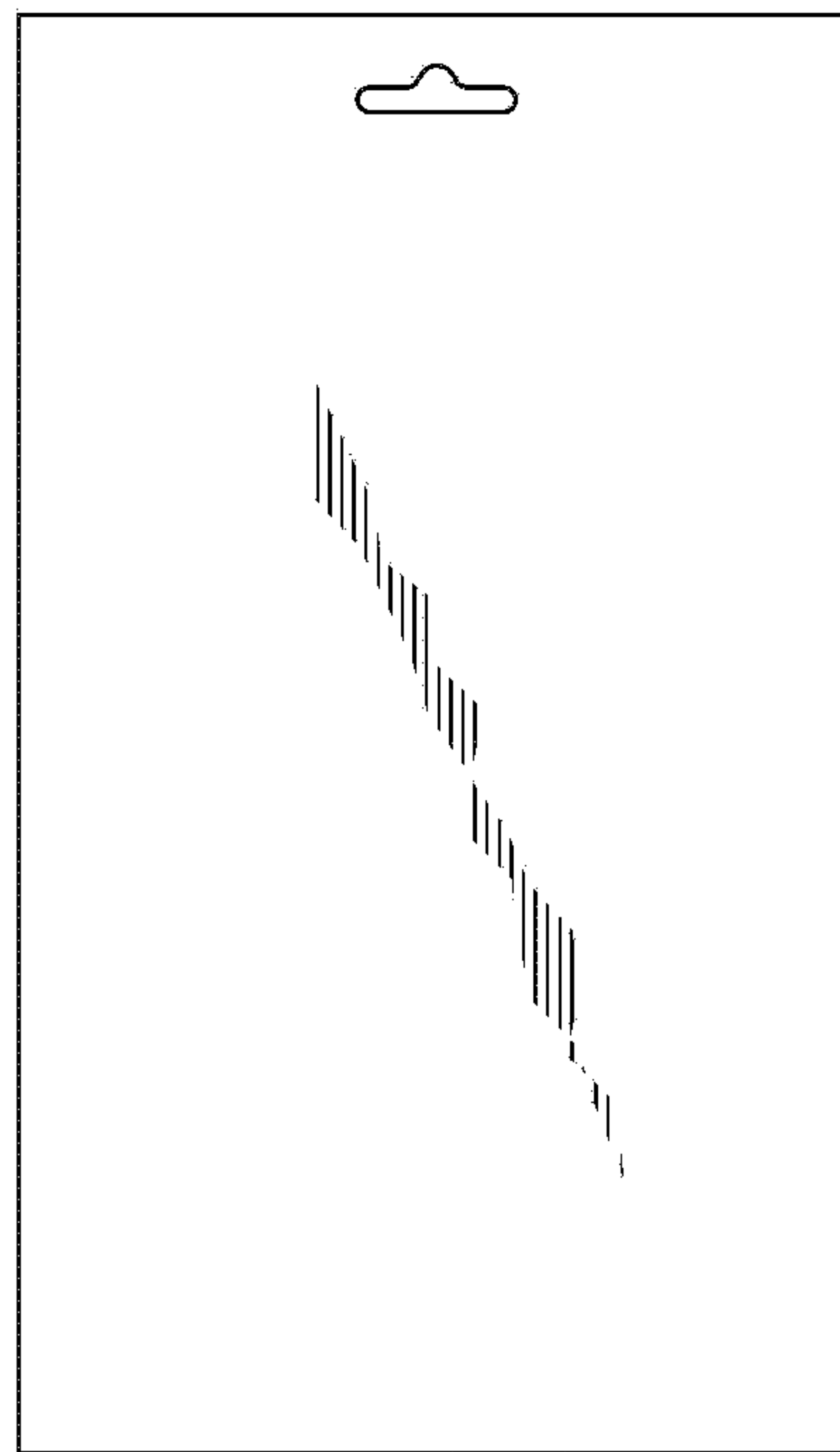


FIG. 22

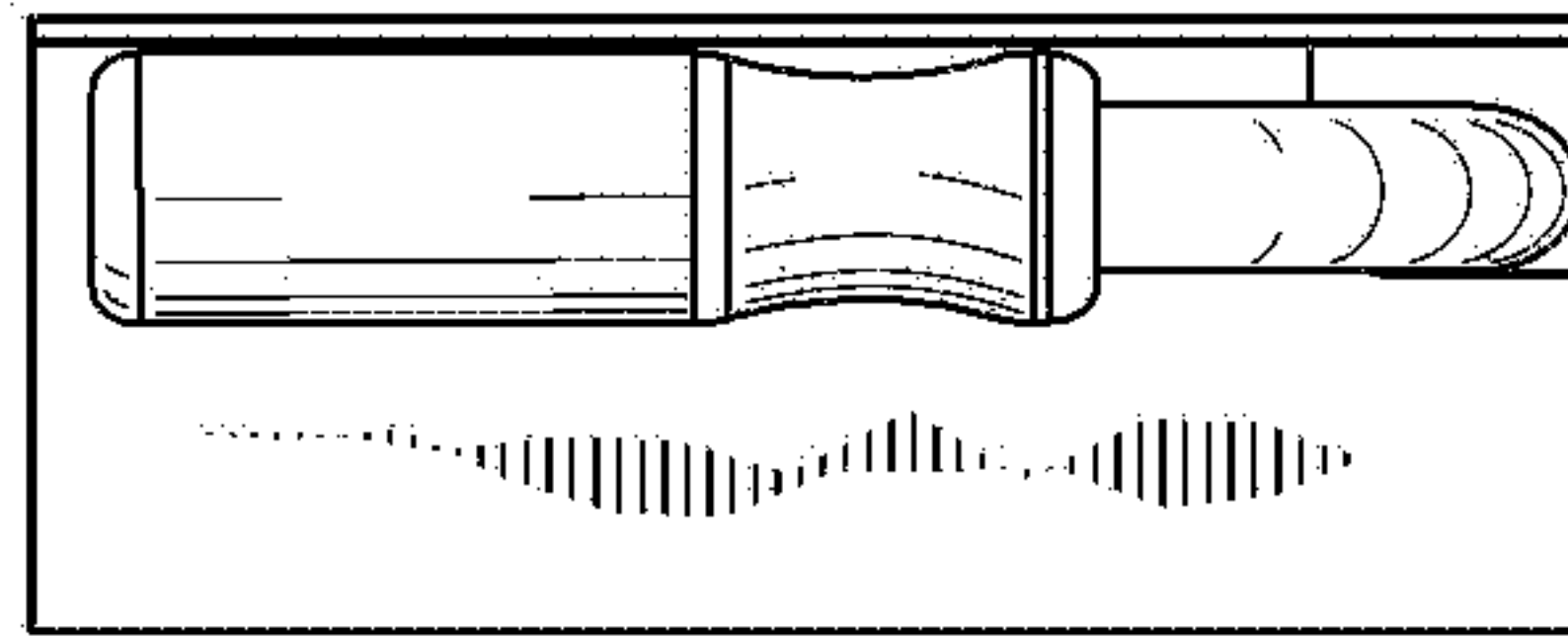


FIG. 23

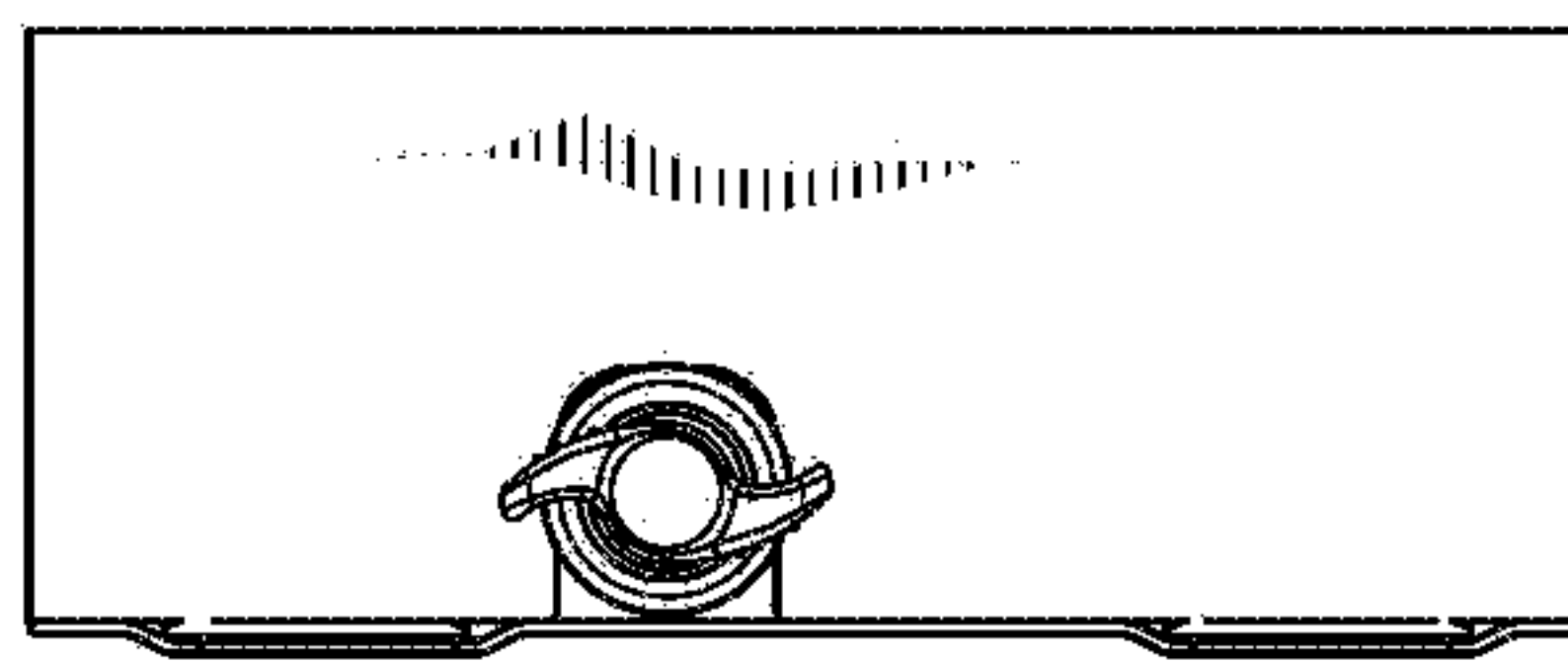


FIG. 24

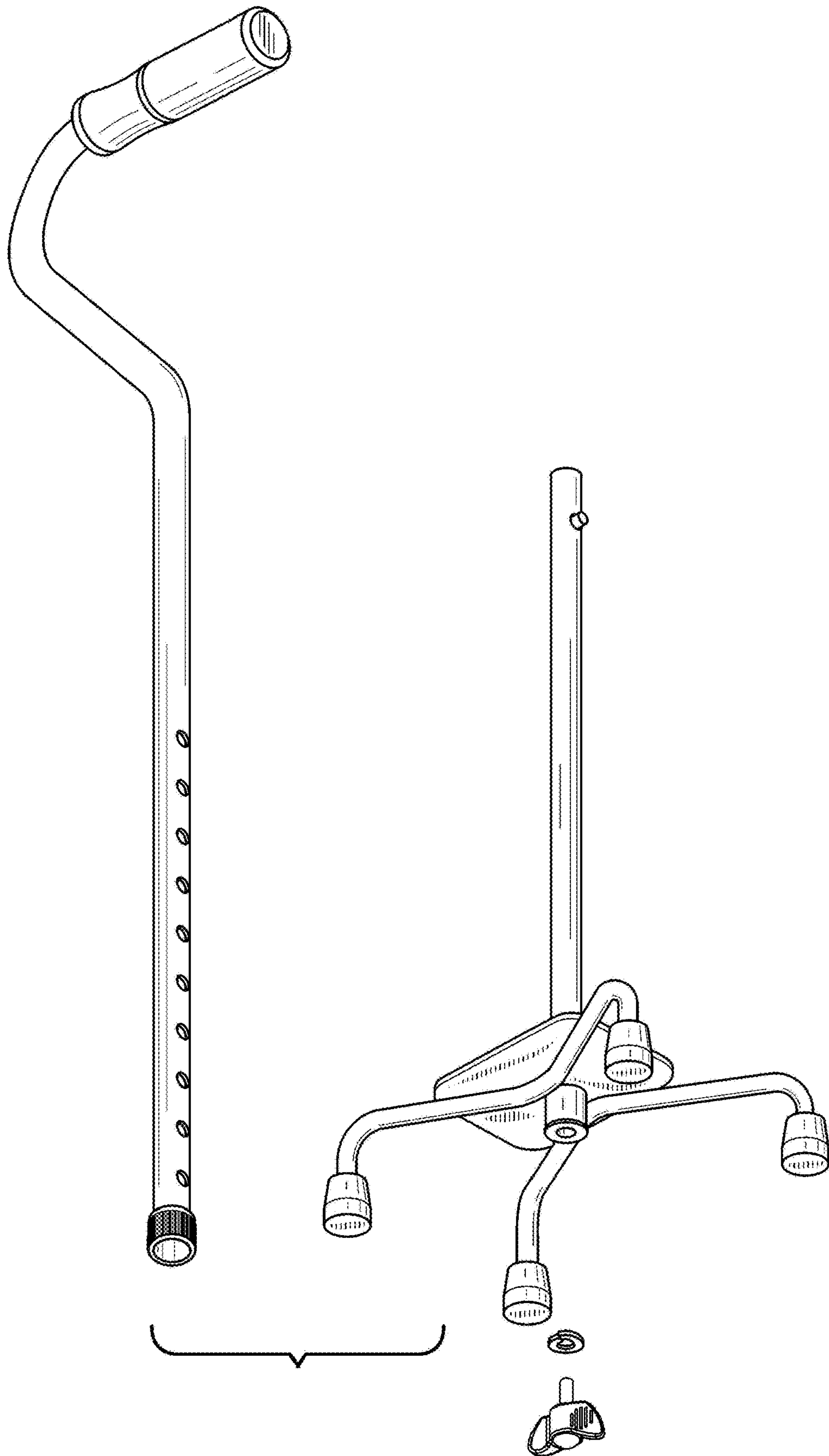


FIG. 25

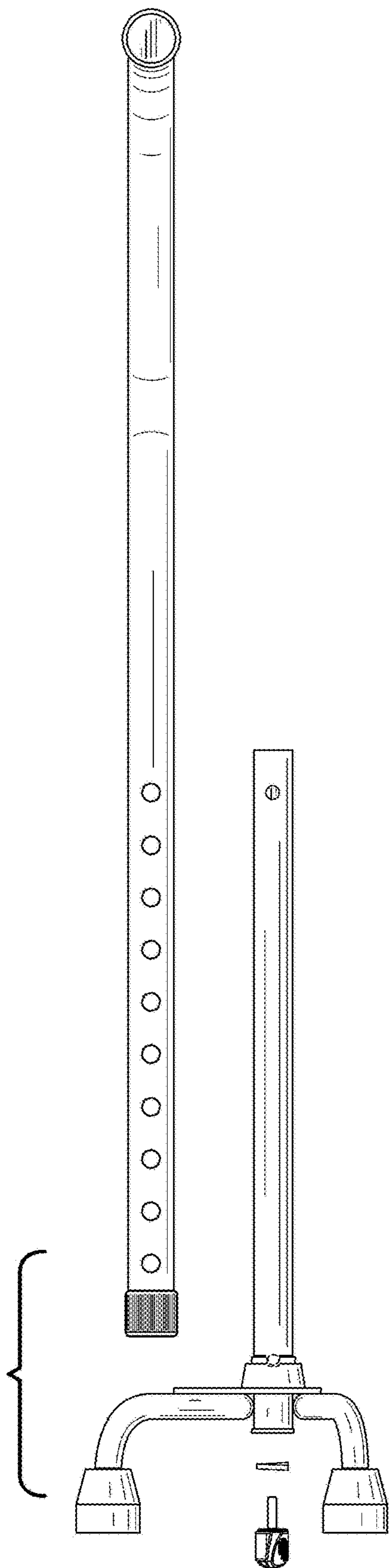


FIG. 26

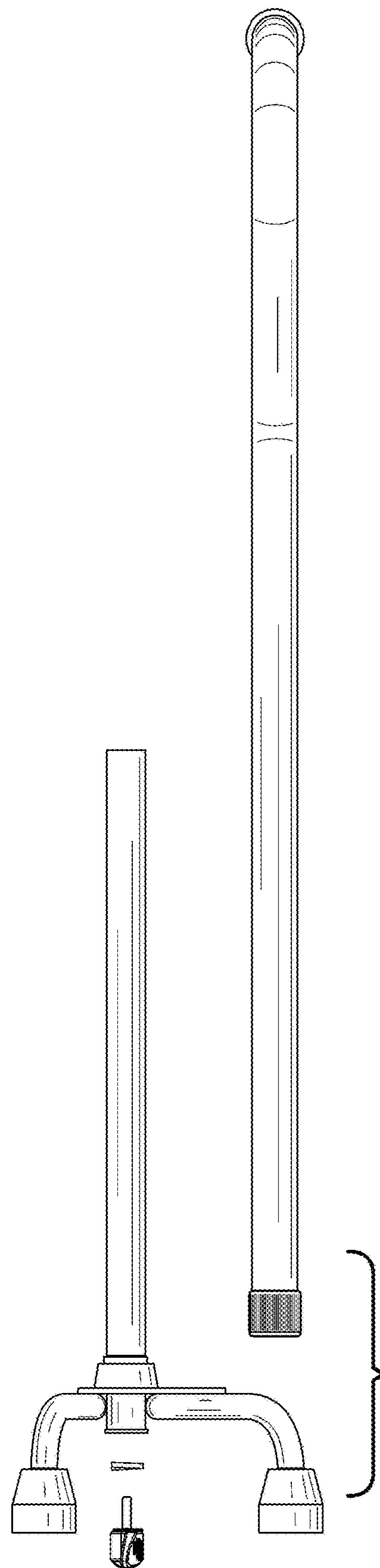


FIG. 27

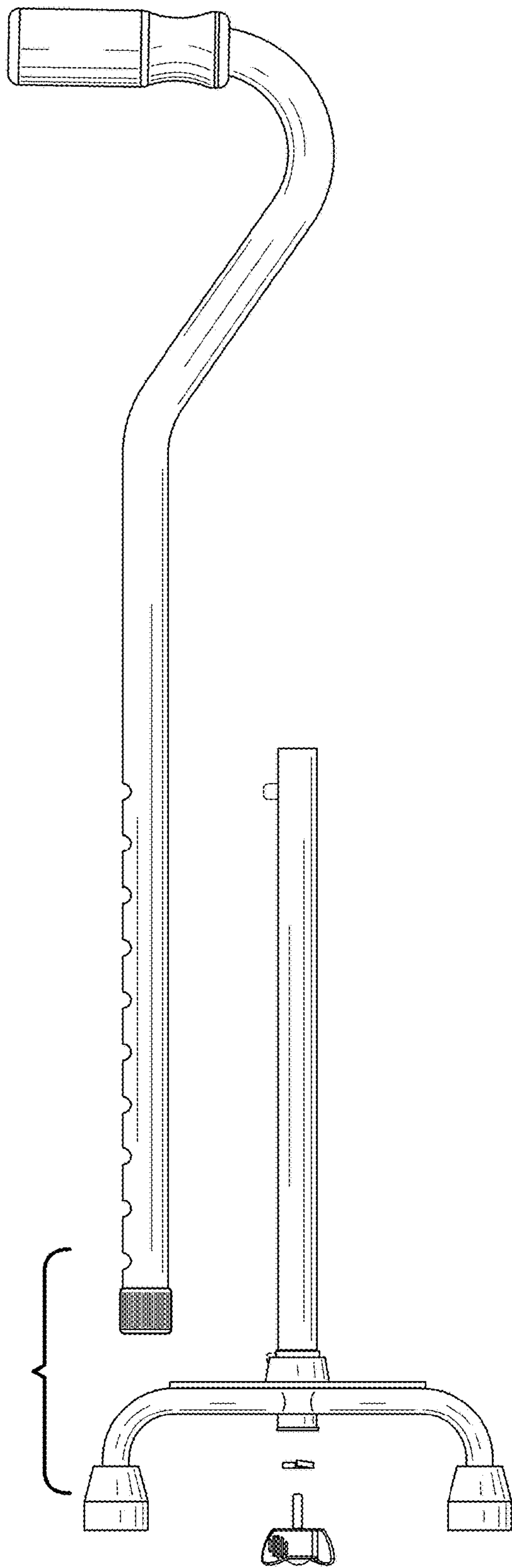


FIG. 28

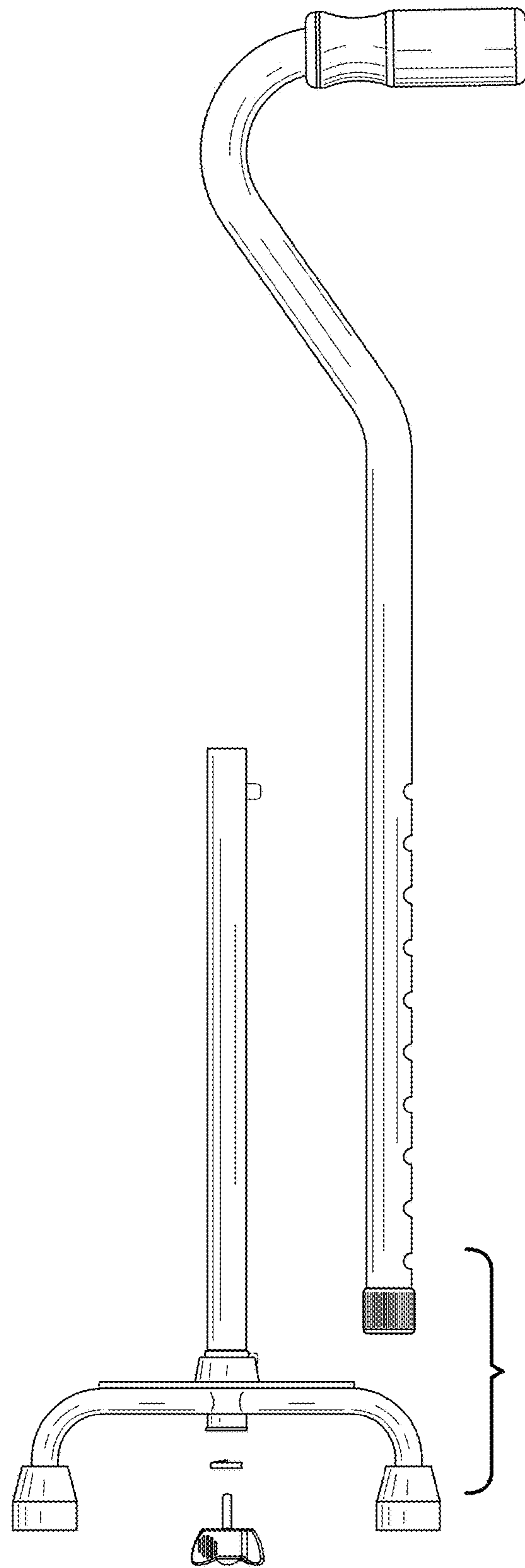


FIG. 29

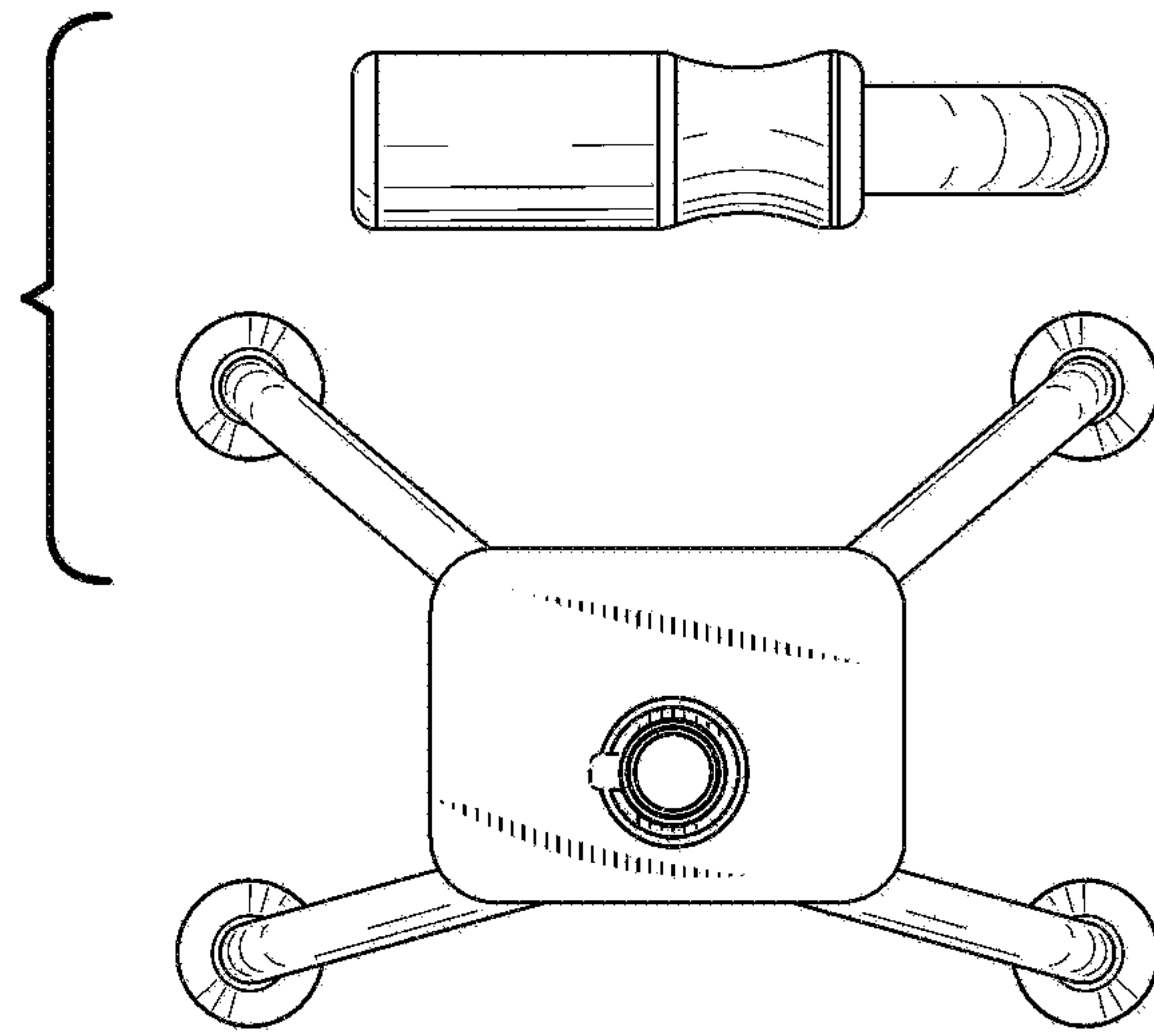


FIG. 30

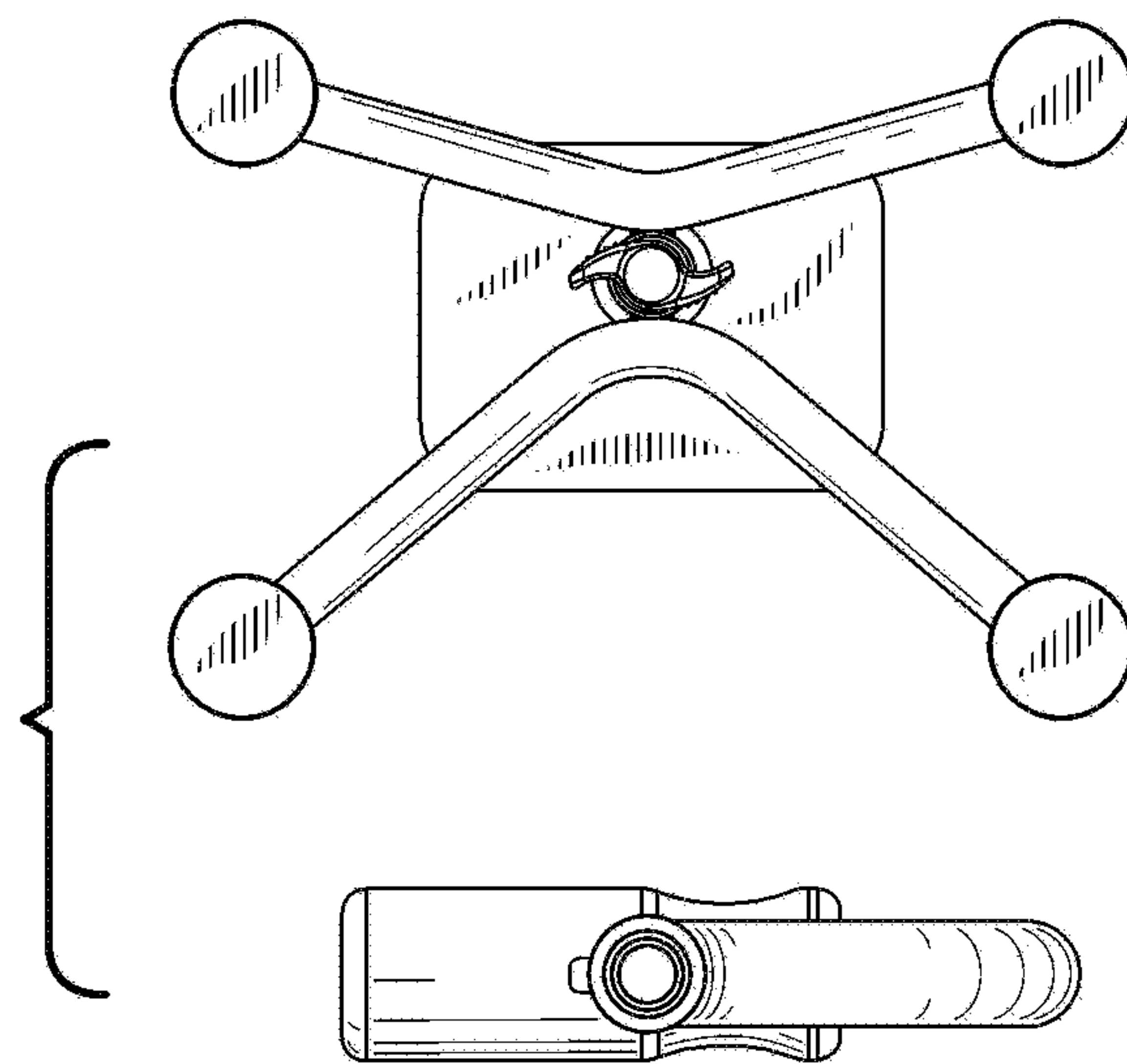


FIG. 31