



US00D883612S

(12) **United States Design Patent** (10) **Patent No.:** **US D883,612 S**
Cristol-Donovan (45) **Date of Patent:** **** May 12, 2020**

(54) **GARMENT**

(71) Applicant: **Melanie Cristol-Donovan**, Los Angeles, CA (US)

(72) Inventor: **Melanie Cristol-Donovan**, Los Angeles, CA (US)

(**) Term: **15 Years**

(21) Appl. No.: **29/578,201**

(22) Filed: **Sep. 19, 2016**

Related U.S. Application Data

(63) Continuation of application No. 15/074,968, filed on Mar. 18, 2016, now abandoned, and a continuation of application No. 15/074,992, filed on Mar. 18, 2016, now Pat. No. 10,265,889, and a continuation of application No. 15/075,000, filed on Mar. 18, 2016, and a continuation of application No. PCT/US2016/023314, filed on Mar. 18, 2016.

(51) **LOC (12) Cl.** **02-01**

(52) **U.S. Cl.**
USPC **D2/712**

(58) **Field of Classification Search**
USPC D2/711-713, 738; 2/223
CPC A41D 7/00; A41D 7/005; A41B 9/02
See application file for complete search history.

(56) **References Cited**

U.S. PATENT DOCUMENTS

484,046 A 10/1892 Pitman
2,112,893 A * 4/1938 Harwood A41B 9/02
450/104

(Continued)

FOREIGN PATENT DOCUMENTS

WO WO2001015624 3/2001
WO WO2013020361 2/2013
WO WO2014113764 7/2014

OTHER PUBLICATIONS

International Search Report for PCT/US16/23314 dated Aug. 5, 2016.

(Continued)

Primary Examiner — Catherine R Oliver-Garcia

Assistant Examiner — J. Thorn, Sr.

(74) *Attorney, Agent, or Firm* — Wuersch & Gering LLP

(57) **CLAIM**

The ornamental design for a garment, as shown and described.

DESCRIPTION

FIG. 1 shows a front view of a garment, shown in a flattened condition;

FIG. 2 shows a rear view of the garment shown in FIG. 1; FIG. 3 shows a left side view of the garment shown in FIG. 1, the right side view being a mirror image of the left side view;

FIG. 4 shows a top view of the garment shown in FIG. 1; FIG. 5 shows a bottom view of the garment shown in FIG. 1;

FIG. 6 shows a front view of a garment, shown in a second embodiment in a suspended condition;

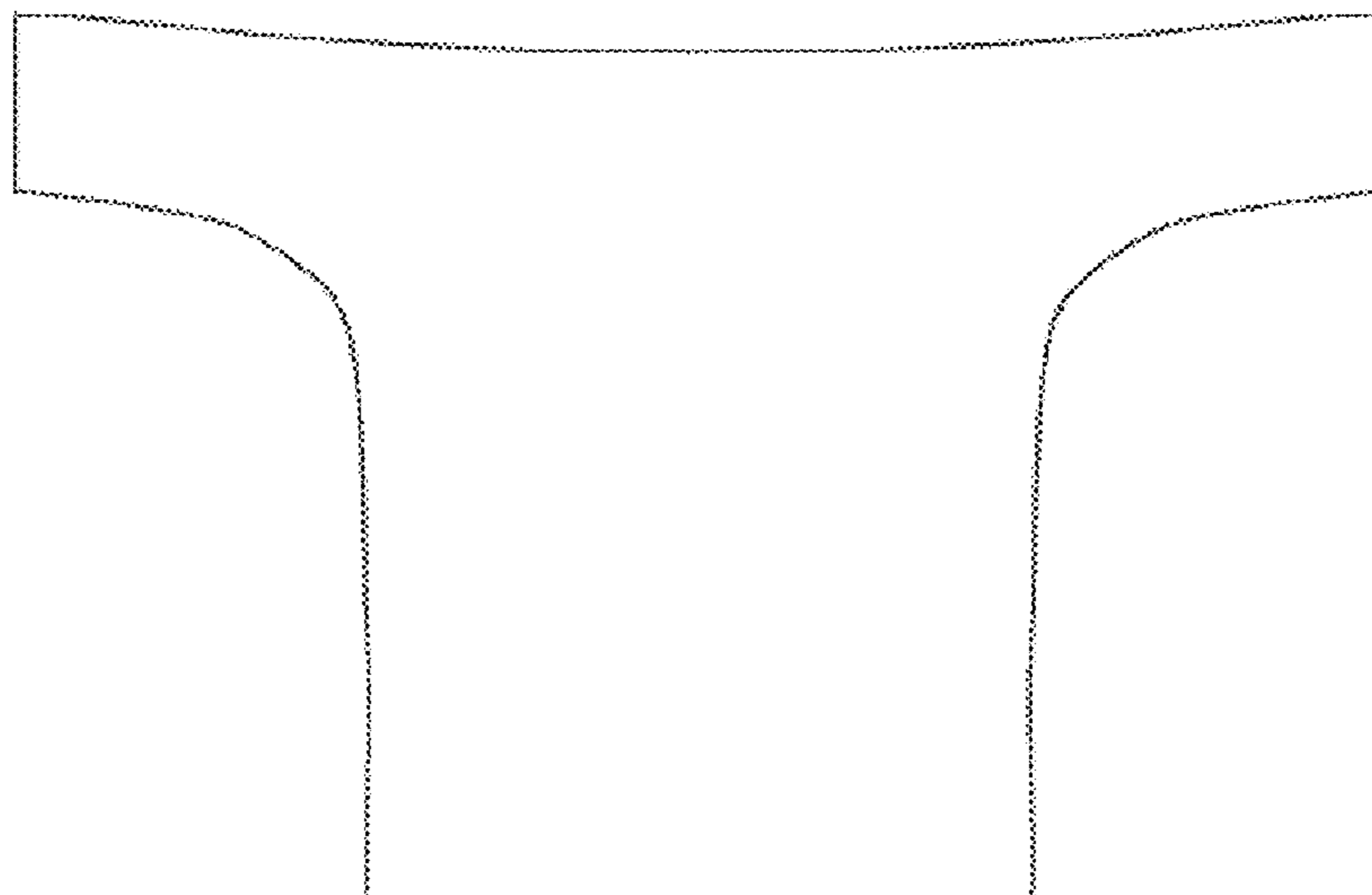
FIG. 7 shows a rear view of the garment shown in FIG. 6; FIG. 8 shows a left side view of the garment shown in FIG. 6, the right side view being a mirror image of the left side view;

FIG. 9 shows a top view of the garment shown in FIG. 6; and,

FIG. 10 shows a bottom view of the garment shown in FIG. 6.

The crotch area is a region connecting or situated between two thigh area regions of the garment.

1 Claim, 4 Drawing Sheets



(56)

References Cited

U.S. PATENT DOCUMENTS

3,119,120 A * 1/1964 Faust A41B 9/02
2/234
3,905,372 A 9/1975 Denkinger
4,660,554 A * 4/1987 Wright A41B 9/004
602/67
4,807,611 A 2/1989 Johnson
4,815,456 A 3/1989 Consentino et al.
4,828,491 A 5/1989 Gray
4,840,624 A 6/1989 Yeung
4,862,901 A 9/1989 Green
4,949,731 A 8/1990 Harding
4,967,767 A 11/1990 Harris et al.
4,981,147 A 1/1991 Barnett
4,993,433 A 2/1991 Reddy
5,086,519 A 2/1992 Rokasky
5,148,930 A 9/1992 Richardson et al.
5,269,320 A 12/1993 Hunnicutt
5,320,112 A 6/1994 Bloodsaw
5,358,500 A 10/1994 Lavon et al.
5,388,592 A 2/1995 Williams
5,390,681 A 2/1995 Daley
5,515,862 A 5/1996 Carnei
5,535,757 A 7/1996 Fleming
5,582,187 A 12/1996 Hussey
5,596,997 A 1/1997 Abadi
5,687,741 A 11/1997 Torger
5,701,608 A 12/1997 Kohn
5,742,936 A 4/1998 Tronc
5,769,090 A 6/1998 Brown
5,785,052 A 7/1998 Johnson
D396,542 S * 8/1998 Nicholson D2/712

6,035,853 A 3/2000 Alla
6,360,746 B1 3/2002 Harrison
6,527,757 B1 3/2003 Jackson
6,694,980 B2 2/2004 Anderson
6,716,206 B2 4/2004 Jackson
D503,512 S * 4/2005 Wolf D2/712
6,987,210 B1 1/2006 Giloh
7,137,972 B1 11/2006 Holberg
7,392,807 B2 7/2008 Osterberg
7,823,591 B2 11/2010 Reddy et al.
7,858,841 B2 12/2010 Krautkramer et al.
7,901,740 B2 3/2011 Giloh
7,963,285 B2 6/2011 Attila
8,141,554 B2 3/2012 Niblon
D702,917 S * 4/2014 White D2/712
D768,356 S * 10/2016 Grant D2/712
D793,659 S * 8/2017 Wexler D2/712
D806,982 S * 1/2018 Grace D2/700
2005/0115568 A1 6/2005 Martin
2006/0042639 A1 3/2006 Wallace
2008/0302367 A1 12/2008 Walker et al.
2013/0056008 A1 3/2013 Nguyen
2013/0133665 A1 5/2013 Waller
2013/0298913 A1 11/2013 Dixon et al.
2014/0202468 A1 7/2014 Hawthorne
2014/0317821 A1 10/2014 Berns

OTHER PUBLICATIONS

Written Opinion for PCT/US16/23314 dated Aug. 5, 2016.
<http://glydehealth.com/products/sheer-glyde-dams/>.
<http://www.syren.com/c-189-latex-stockings-lingerie.aspx>.

* cited by examiner

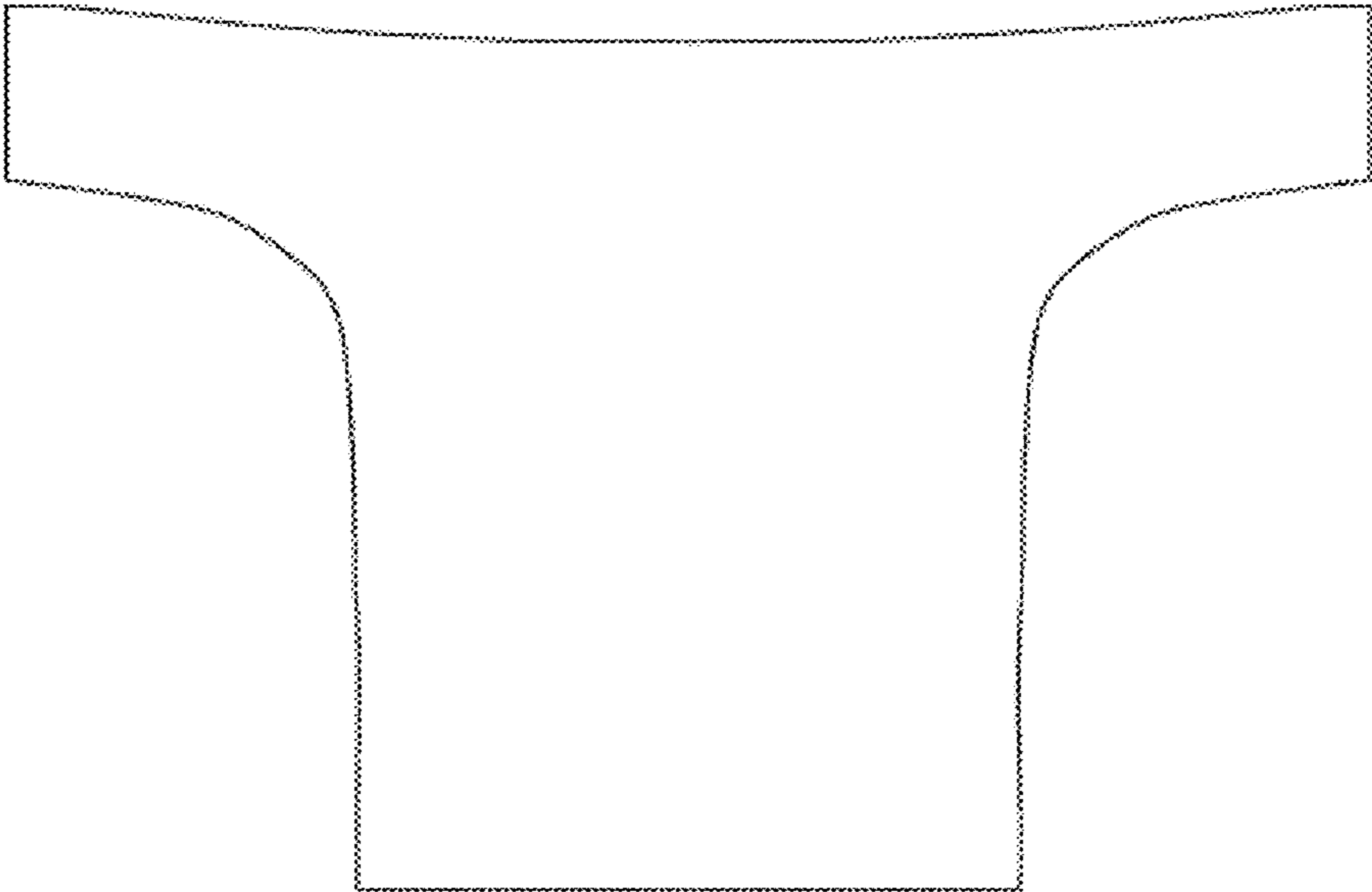


FIG. 1

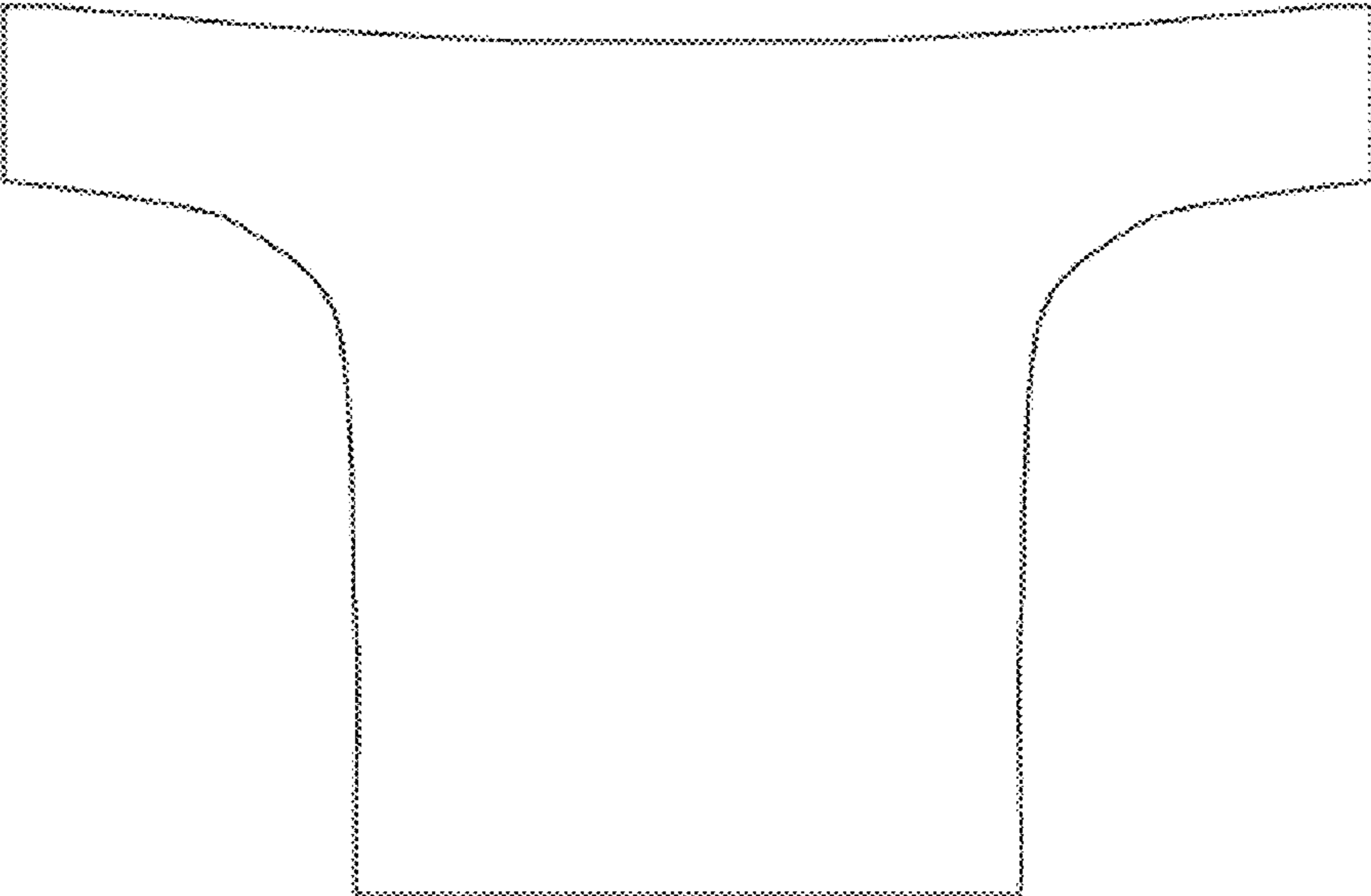


FIG. 2



FIG. 3

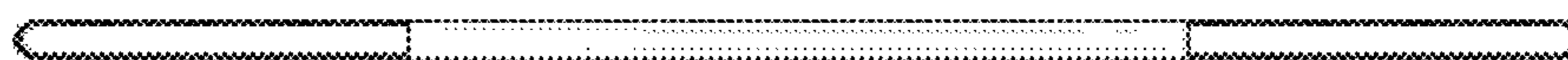


FIG. 4

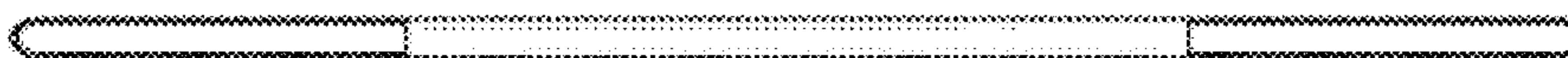


FIG. 5

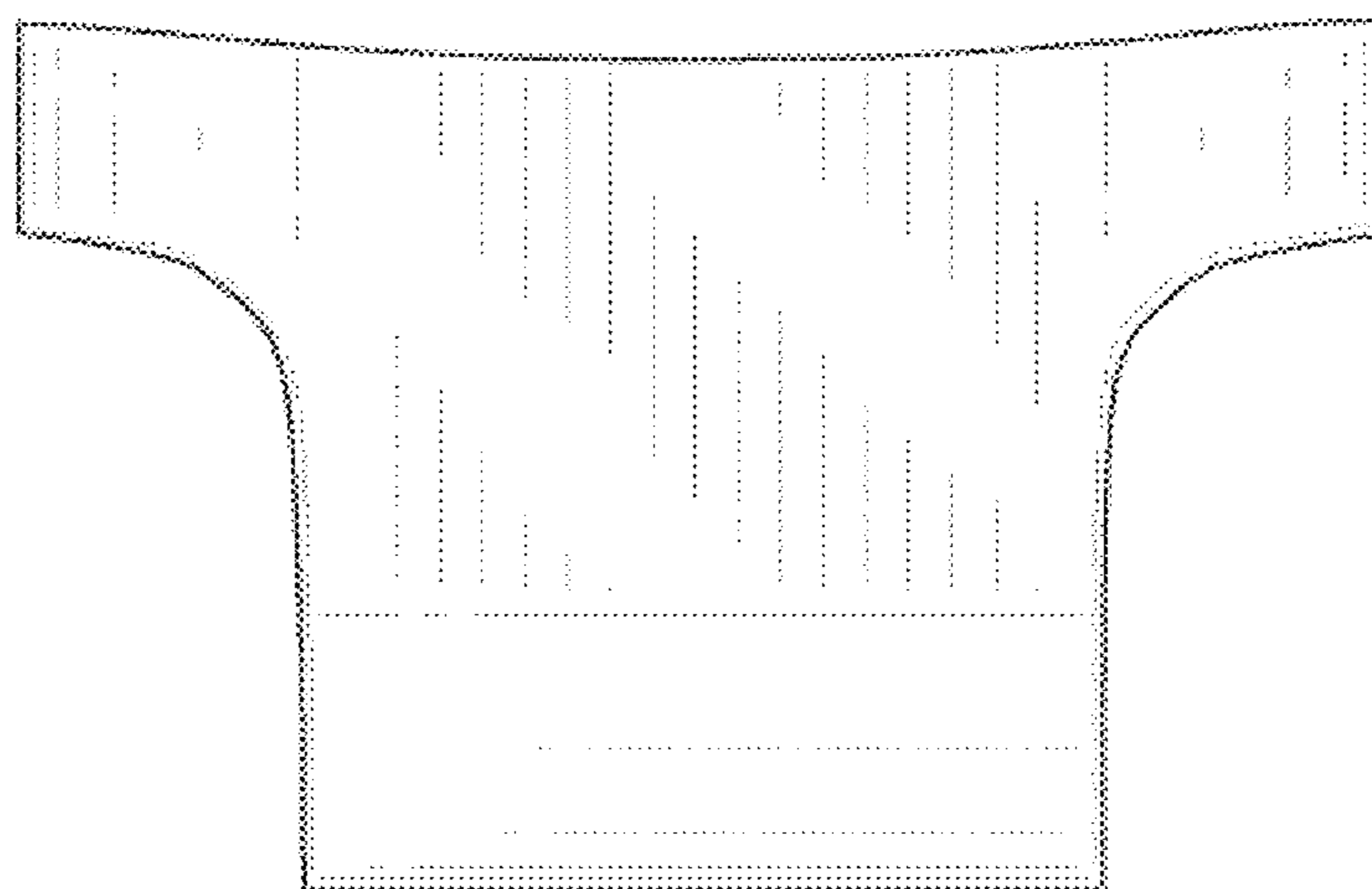


FIG. 6

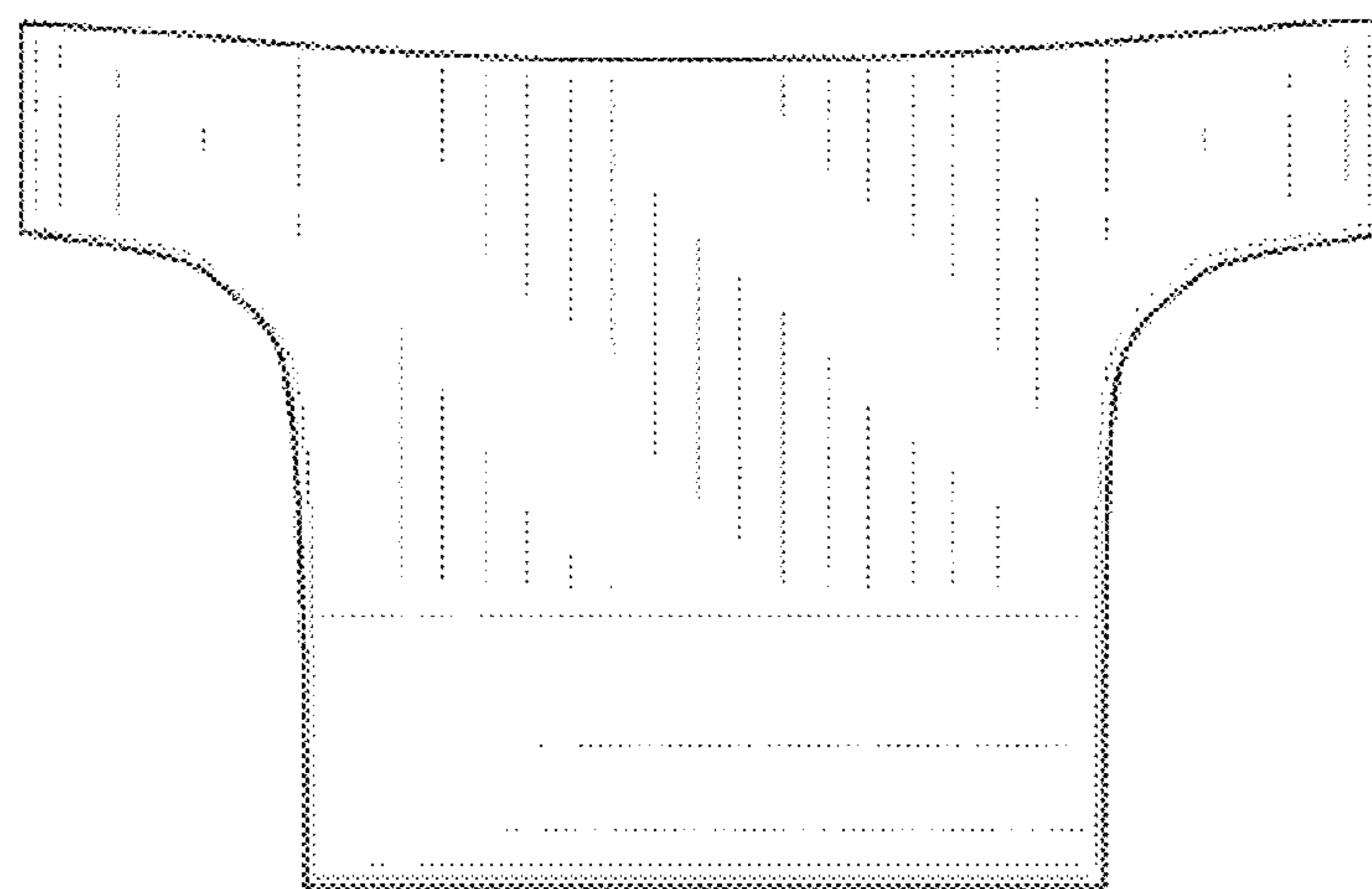


FIG. 7

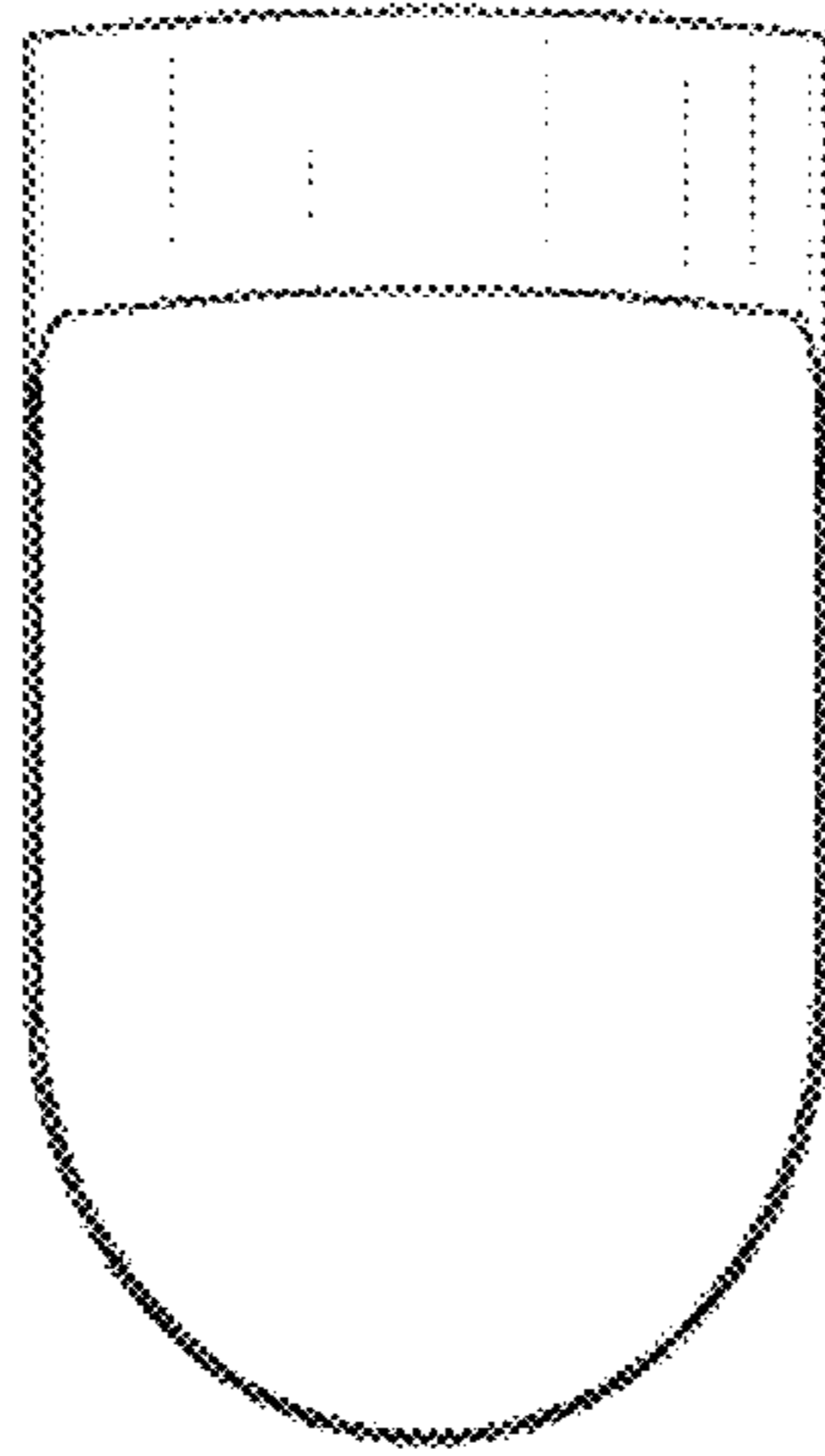


FIG. 8



FIG. 9

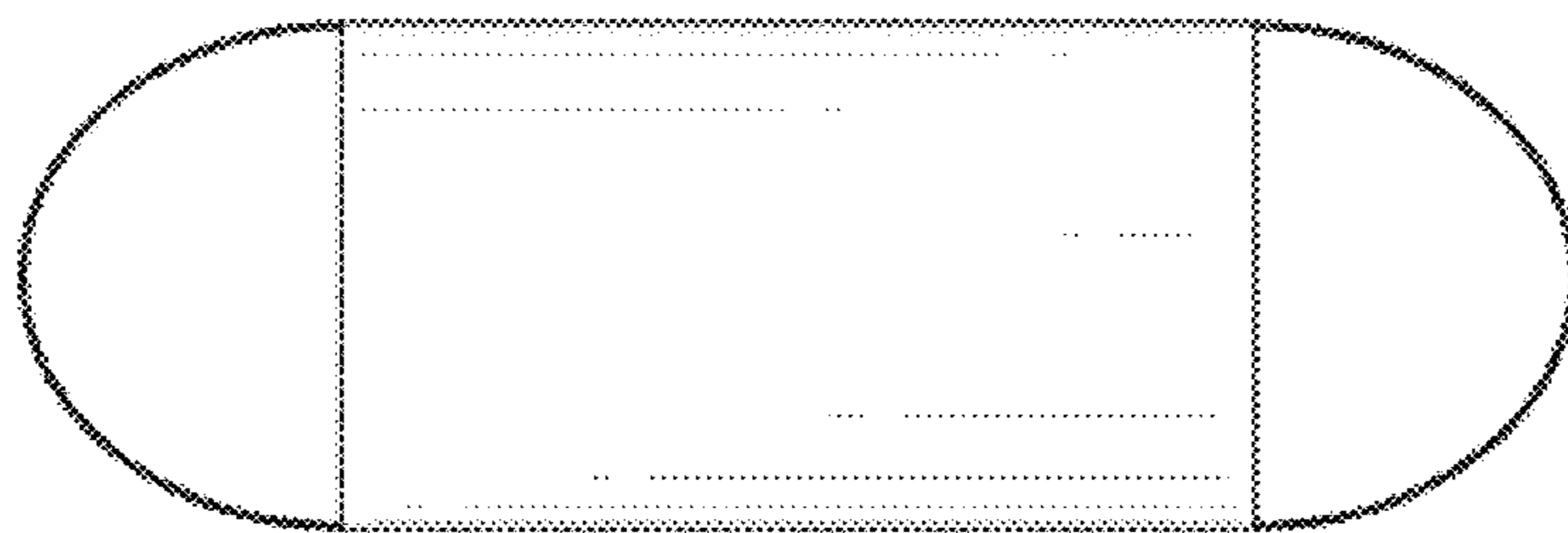


FIG. 10