



US00D883605S

(12) **United States Design Patent** (10) **Patent No.:** **US D883,605 S**  
**Lee et al.** (45) **Date of Patent:** **\*\* May 5, 2020**

(54) **AUTOMATED TELLER MACHINE**

(56) **References Cited**

(71) Applicant: **HYOSUNG TNS INC.**, Seoul (KR)

U.S. PATENT DOCUMENTS

(72) Inventors: **Hee Youn Lee**, Gyeonggi-do (KR); **Jae Min Park**, Gyeonggi-do (KR); **Jae Min Cha**, Gyeonggi-do (KR)

D419,277	S *	1/2000	Ishii	.....	D99/28
D456,587	S *	4/2002	Kit	.....	D99/28
6,527,172	B1 *	3/2003	Lewis	.....	G07F 19/20 235/375
D492,080	S *	6/2004	Magee	.....	D99/28
7,028,888	B2 *	4/2006	Laskowski	.....	G06Q 20/1085 235/379
D530,880	S *	10/2006	Magee	.....	D99/28
D534,705	S *	1/2007	Kang	.....	D99/28
D592,825	S *	5/2009	Kang	.....	D99/28
7,533,802	B1 *	5/2009	McGinley	.....	G07F 19/20 235/376
D596,373	S *	7/2009	Kang	.....	D99/28
D596,374	S *	7/2009	Kang	.....	D99/28
D625,305	S *	10/2010	Bleck	.....	D14/307
7,959,072	B1 *	6/2011	Jenkins	.....	G06Q 20/1085 235/379

(73) Assignee: **HYOSUNG TNS INC.**, Seoul (KR)

(\*\*) Term: **15 Years**

(21) Appl. No.: **29/659,029**

(22) Filed: **Aug. 6, 2018**

(30) **Foreign Application Priority Data**

Feb. 5, 2018 (KR) ..... 30-2018-0006257

(51) **LOC (12) Cl.** ..... **99-00**

(52) **U.S. Cl.**  
USPC ..... **D99/28**

(58) **Field of Classification Search**  
USPC ..... D99/28, 34, 35, 36, 43, 99;  
D14/300-302, 305, 307, 900-902;  
D18/3.1-3.3, 4.1-4.6, 12.1-12.3;  
D21/324, 325, 329, 369, 370; 101/66;  
109/1 R, 1 V, 2, 23, 24.1, 25, 58, 58.5,  
109/66; 446/8-13; 705/16, 17, 18, 42,  
705/43, 44, 45; 235/51, 379, 380, 381,  
235/382, 382.5, 386; 206/0.8, 0.81,  
206/0.815, 0.82, 0.84  
CPC .. G06Q 20/10; G06Q 20/108; G06Q 20/1085;  
G06Q 20/18; G07D 1/00; G07D 1/02;  
G07D 1/04; G07D 1/06; G07D 11/00;  
G07D 9/002; G07D 9/04; G07F 19/20;  
G07F 19/201; G07F 19/202; G07F  
19/203; G07F 19/204; G07F 19/105;  
G07F 19/21; G07F 19/00; G07F 7/04;  
G07F 5/00; G07F 1/00; E05G 7/001;  
E05G 1/006; A63H 33/00; A63H 33/005  
See application file for complete search history.

(Continued)

*Primary Examiner* — Elizabeth J Oswecki

(74) *Attorney, Agent, or Firm* — Bacon & Thomas, PLLC

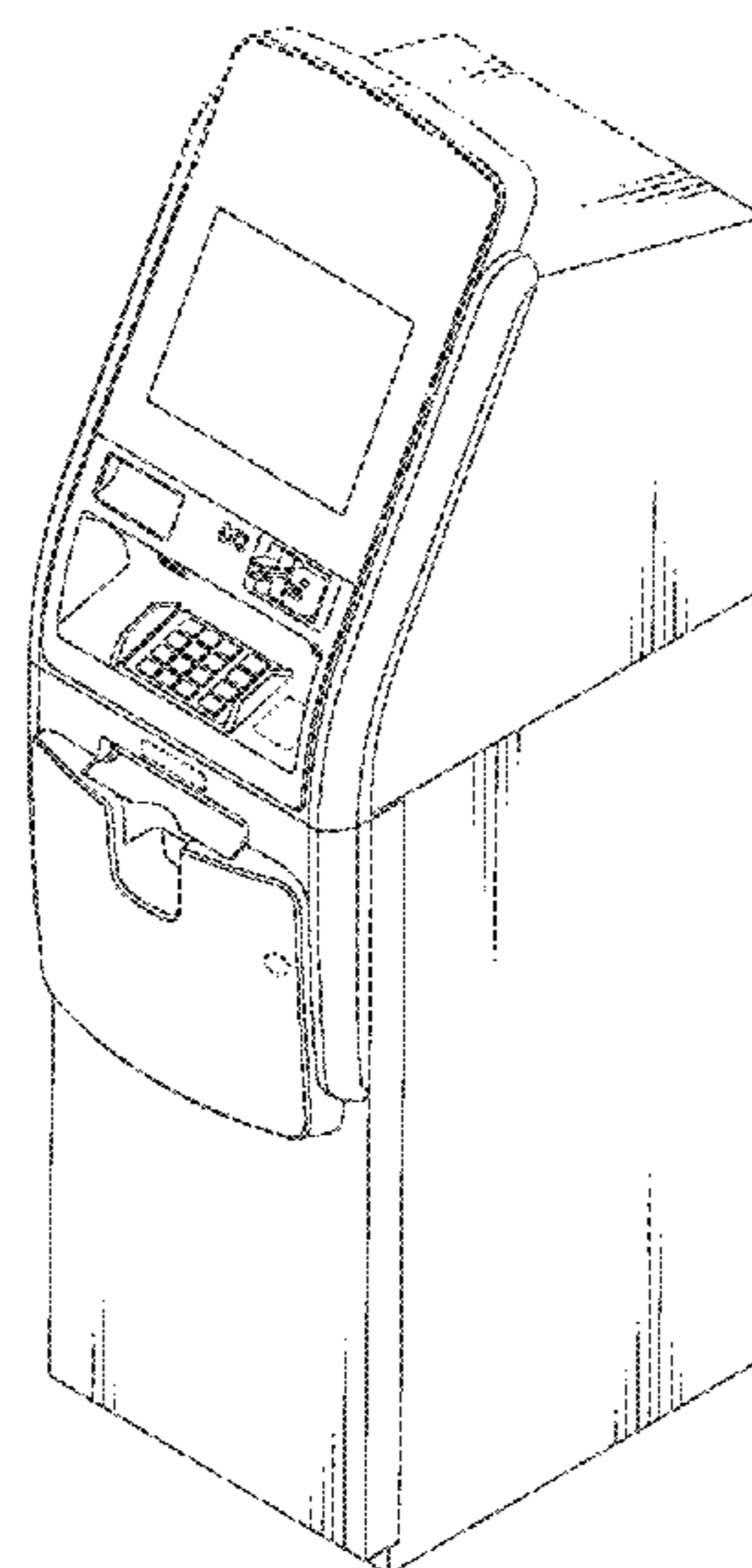
(57) **CLAIM**

The ornamental design for an automated teller machine, as shown and described.

**DESCRIPTION**

FIG. 1 is a perspective view of an automated teller machine, showing our new design;  
FIG. 2 is a front view thereof;  
FIG. 3 is a rear view thereof;  
FIG. 4 is a left side view thereof;  
FIG. 5 is a right side view thereof;  
FIG. 6 is a top view thereof; and,  
FIG. 7 is a bottom view thereof. The broken lines shown in the drawings represent portions of the automated teller machine, that form no part of the claimed design.

**1 Claim, 7 Drawing Sheets**



(56)

**References Cited**

## U.S. PATENT DOCUMENTS

D645,223 S \* 9/2011 Bleck ..... D14/307  
8,181,857 B1 \* 5/2012 Lute ..... G06Q 20/1085  
235/379  
D674,985 S \* 1/2013 Lee ..... D14/900  
D716,515 S \* 10/2014 Cha ..... D99/28  
D724,290 S \* 3/2015 Cha ..... D99/28  
D769,570 S \* 10/2016 Kraft ..... D99/28  
D769,571 S \* 10/2016 Lee ..... D99/28  
D769,572 S \* 10/2016 Park ..... D99/28  
D792,049 S \* 7/2017 Oh ..... D99/28  
D803,507 S \* 11/2017 Park ..... D99/28  
D825,133 S \* 8/2018 Park ..... D99/28  
D825,134 S \* 8/2018 Birnie ..... D99/28  
D826,514 S \* 8/2018 Park ..... D99/28  
D828,674 S \* 9/2018 Cha ..... D99/28  
D832,553 S \* 10/2018 Angelopoulos ..... D99/28  
D833,704 S \* 11/2018 Kraft ..... D99/28  
D839,529 S \* 1/2019 Nelson ..... D99/28  
D853,077 S \* 7/2019 Ku ..... D99/28  
D859,778 S \* 9/2019 Pieratt ..... D99/28  
2004/0262379 A1 \* 12/2004 Gomes ..... G06Q 30/06  
235/379  
2006/0073883 A1 \* 4/2006 Franks, Jr. .... G06Q 30/02  
463/25  
2008/0296365 A1 \* 12/2008 Schliebe ..... G01G 19/52  
235/379  
2009/0057398 A1 \* 3/2009 Douglass ..... G07F 19/20  
235/379

\* cited by examiner

Fig 1

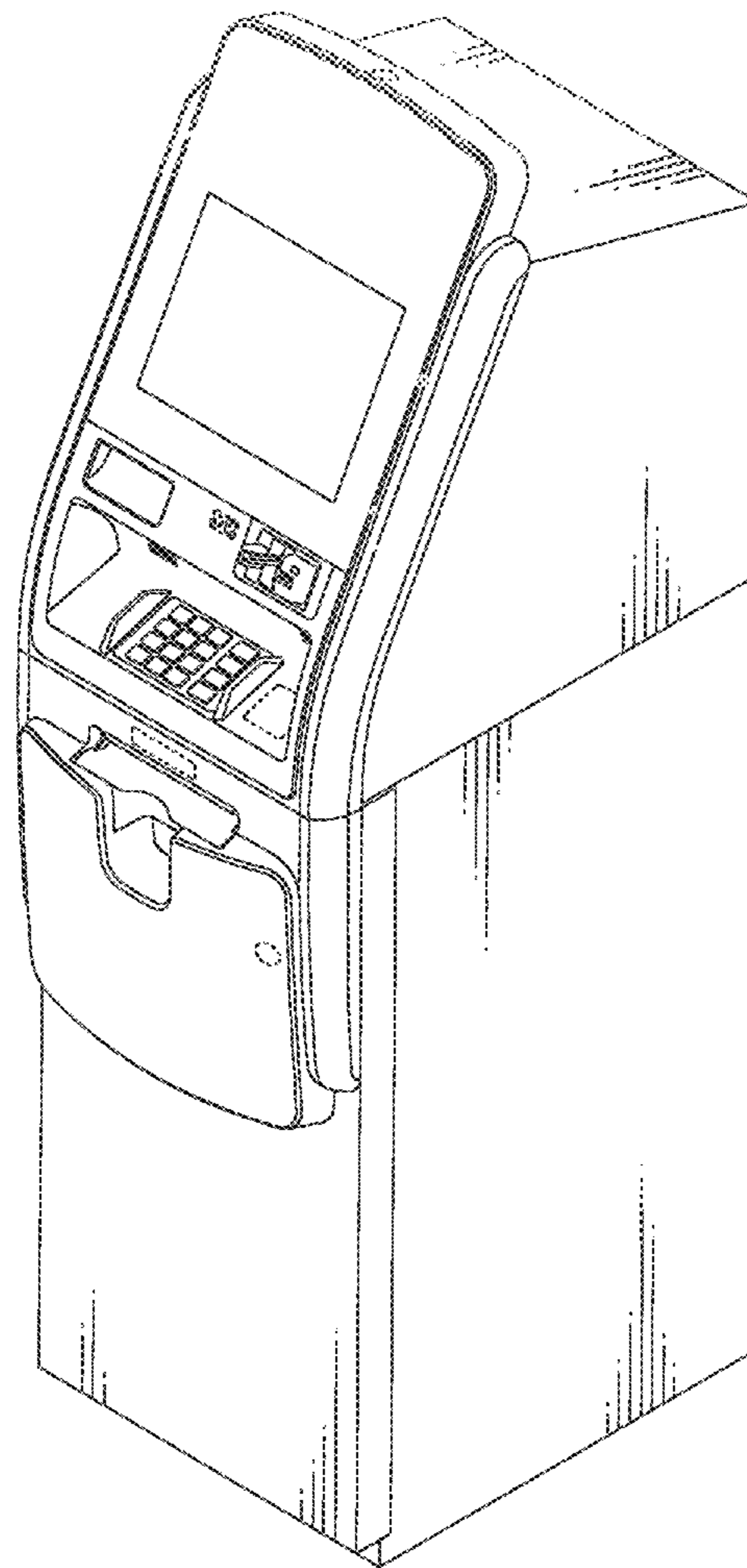


Fig 2

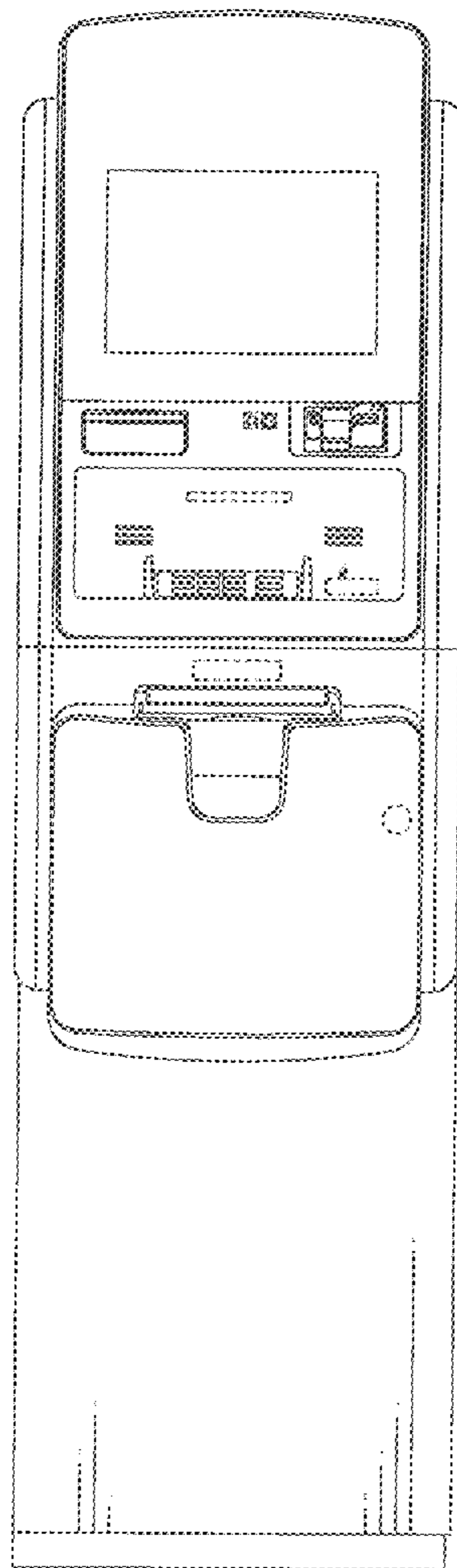


Fig 3

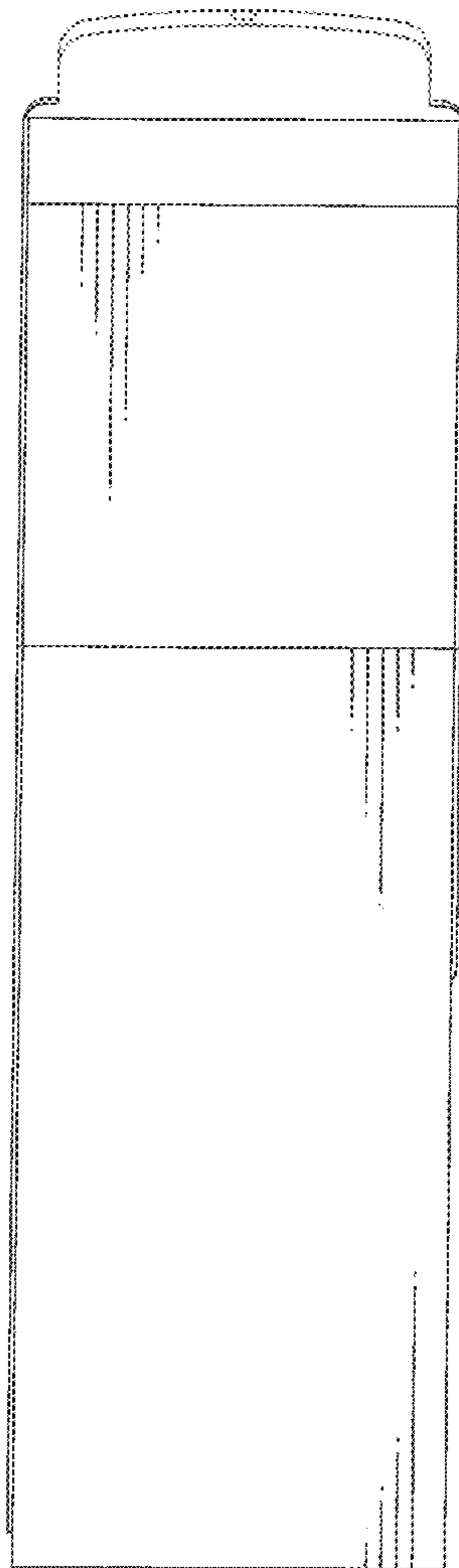


Fig 4

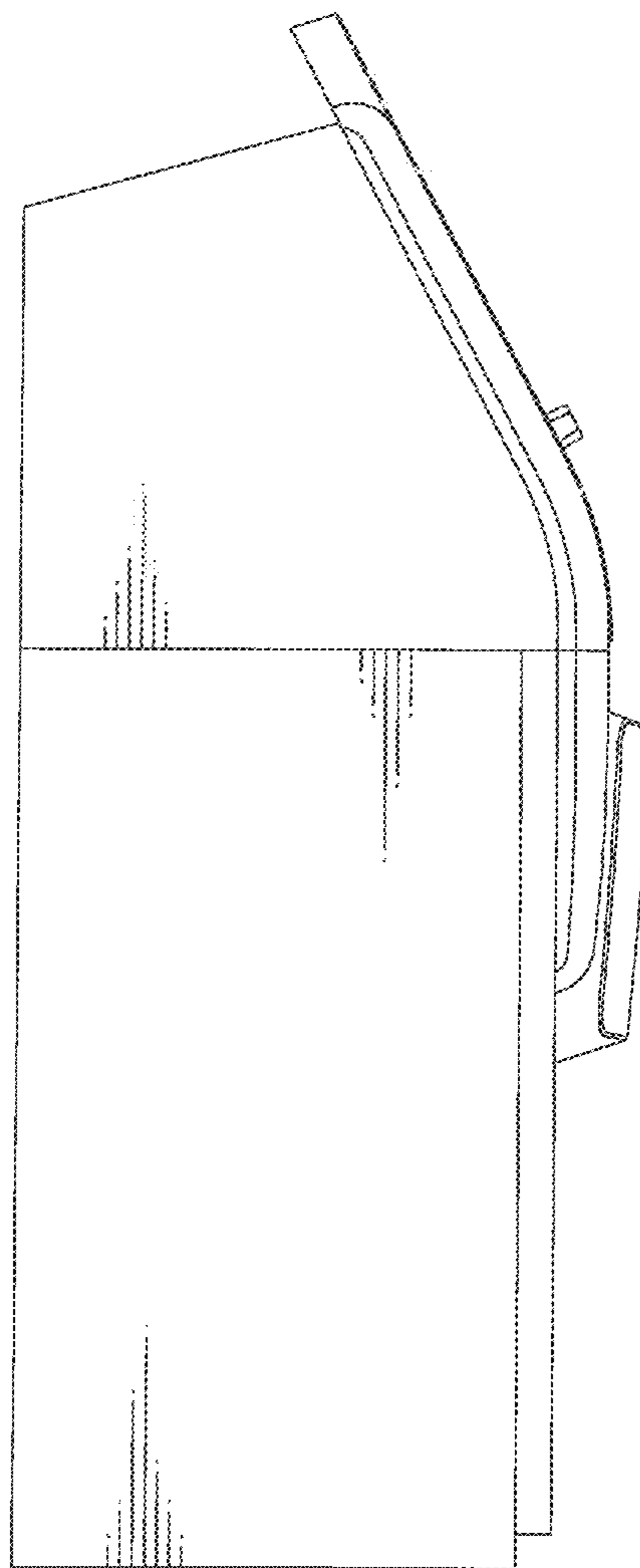




Fig 5

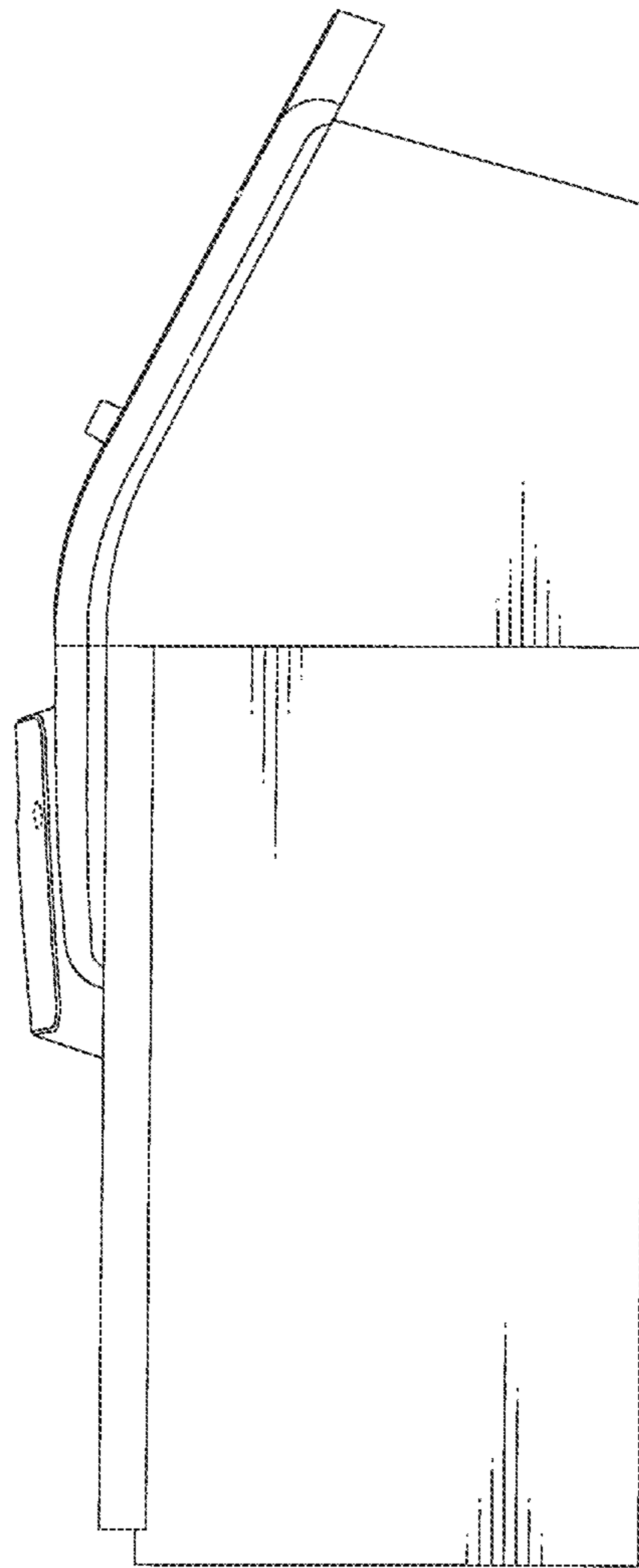


Fig 6

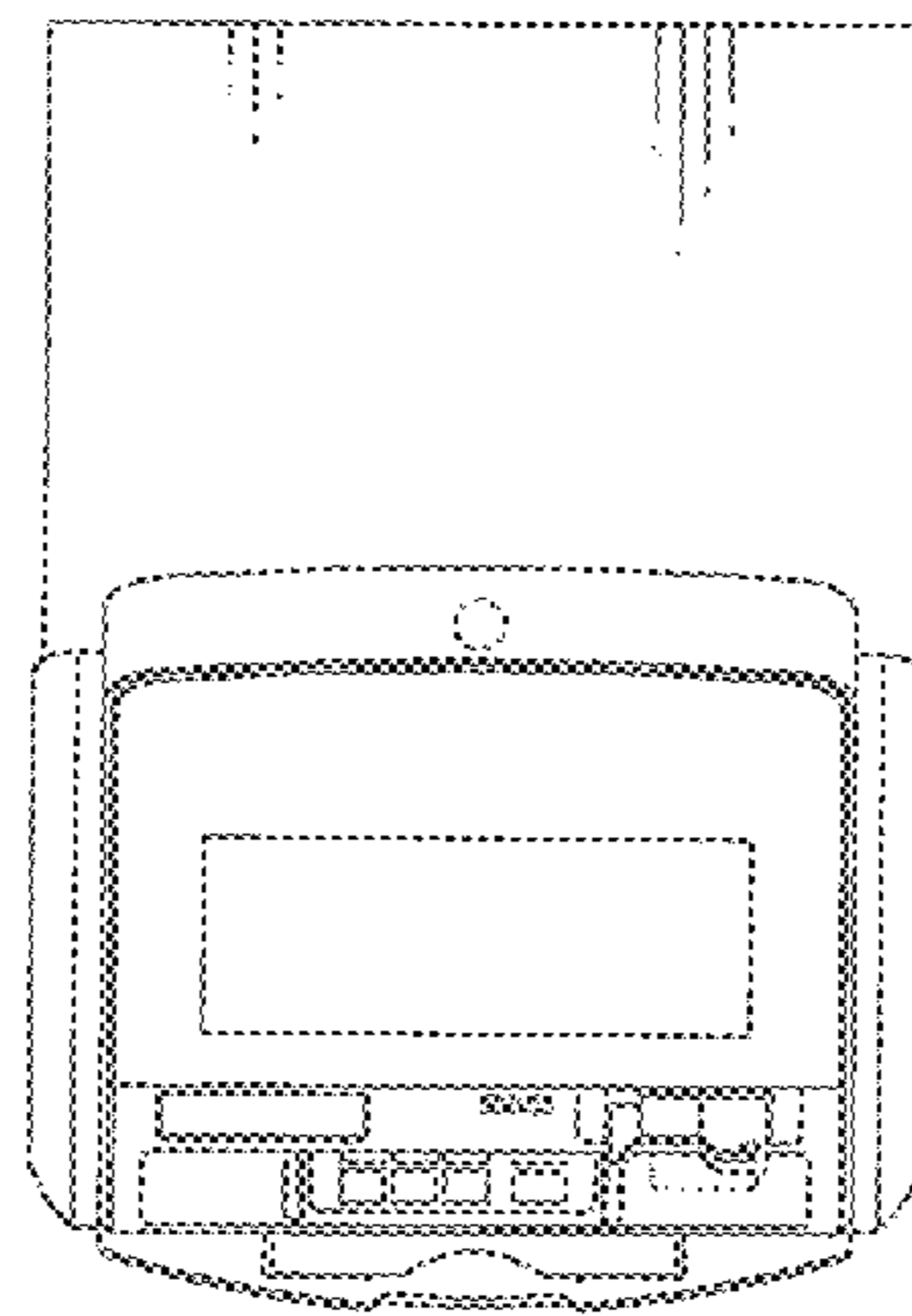




Fig 7

