



US00D883603S

(12) **United States Design Patent**
Finn et al.

(10) **Patent No.:** **US D883,603 S**

(45) **Date of Patent:** **** May 5, 2020**

- (54) **FRONT-LOADING ARBOR GATE**
- (71) Applicant: **Wenger Corporation**, Owatonna, MN (US)
- (72) Inventors: **Patrick J. Finn**, Syracuse, NY (US); **Christopher D. Whaley**, Phoenix, NY (US); **Paul W. Zagajski**, Liverpool, NY (US)
- (73) Assignee: **Wenger Corporation**, Owatonna, MN (US)

D479,378	S *	9/2003	Simpson	D34/35
6,855,063	B2	2/2005	Murphy et al.		
7,534,173	B2 *	5/2009	Rees	A63J 1/028 472/78
D594,380	S *	6/2009	Somers	D11/181
D610,771	S *	2/2010	Doan	D34/33
7,699,412	B2	4/2010	Heimler		
D657,112	S *	4/2012	Dao	D34/35
8,814,119	B2	8/2014	Boychuk et al.		
D771,346	S *	11/2016	Repp	D34/35
9,782,690	B2 *	10/2017	Boychuk	A63J 1/028
2002/0082096	A1 *	6/2002	Walker	A63J 1/02 472/75
2006/0208503	A1	9/2006	Simchayoff		
2010/0258699	A1	10/2010	Boychuk		

(**) Term: **15 Years**

* cited by examiner

- (21) Appl. No.: **29/627,937**
- (22) Filed: **Nov. 30, 2017**
- (51) **LOC (12) Cl.** **12-05**
- (52) **U.S. Cl.**
USPC **D34/35**
- (58) **Field of Classification Search**
USPC D34/28, 33, 34, 35; 472/78, 79, 75;
248/331, 320, 325, 328; D15/28, 7;
212/195, 178; D11/181; D12/162
CPC B66C 23/72; B66C 13/16; B66C 23/76;
B66C 13/18; B66C 13/46; E02F 9/18;
A63J 1/028; A63J 1/02; B62D 49/085;
B66F 9/07554
See application file for complete search history.

Primary Examiner — Cynthia Ramirez
Assistant Examiner — Gino Colan
 (74) *Attorney, Agent, or Firm* — Patterson Thuent
 Pedersen, P.A.

(57) **CLAIM**

The ornamental design for a front-loading arbor gate, as shown and described.

DESCRIPTION

FIG. 1 is a perspective view of a front-loading arbor gate showing our new design;
 FIG. 2 is a front elevation view thereof;
 FIG. 3 is a right side elevation view thereof;
 FIG. 4 is a rear elevation view thereof;
 FIG. 5 is a left side elevation view thereof;
 FIG. 6 is a top plan view thereof; and,
 FIG. 7 is a bottom plan view thereof.
 The broken lines shown in the figures are included for the purpose of illustrating portions of the front-loading arbor gate which form no part of the claimed design.

(56) **References Cited**

U.S. PATENT DOCUMENTS

3,165,296	A *	1/1965	Drew	A63J 1/028 472/78
3,907,150	A	9/1975	Jurasek		
D267,404	S *	12/1982	Cook	D15/7
D418,094	S *	12/1999	Schmidt	D12/162
6,537,155	B2 *	3/2003	Steve	A63J 1/02 472/75

1 Claim, 3 Drawing Sheets

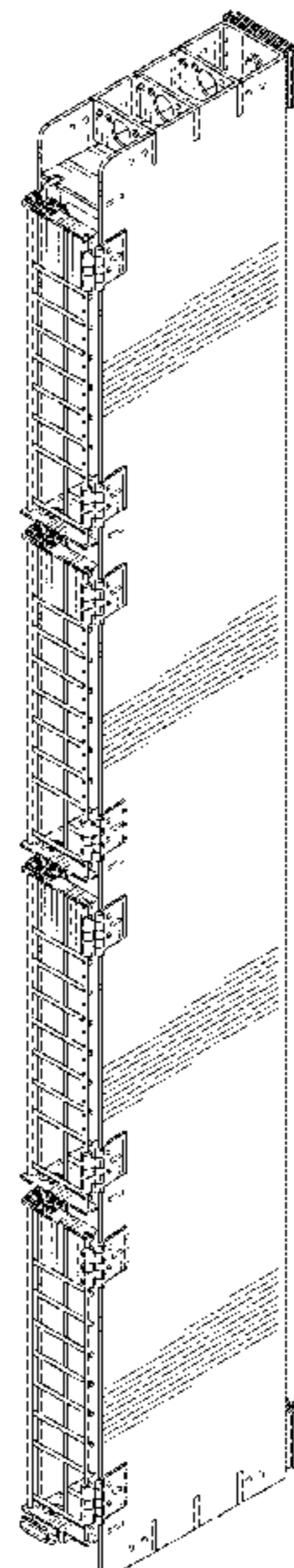


FIG. 1

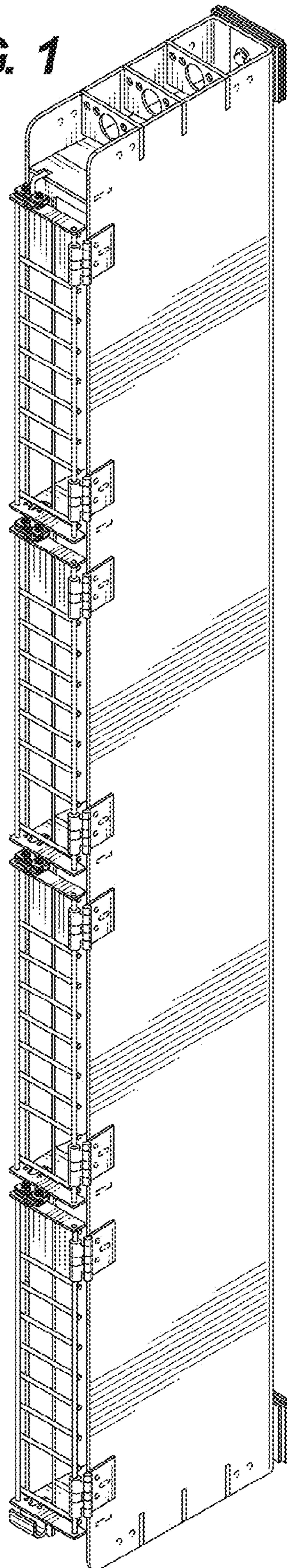


FIG. 2

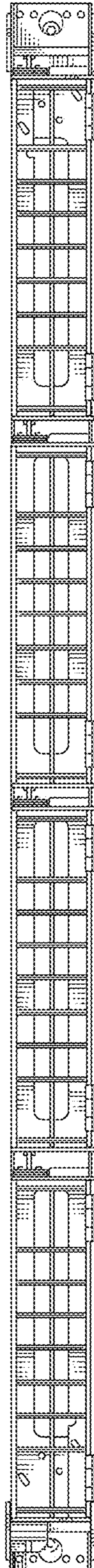


FIG. 3

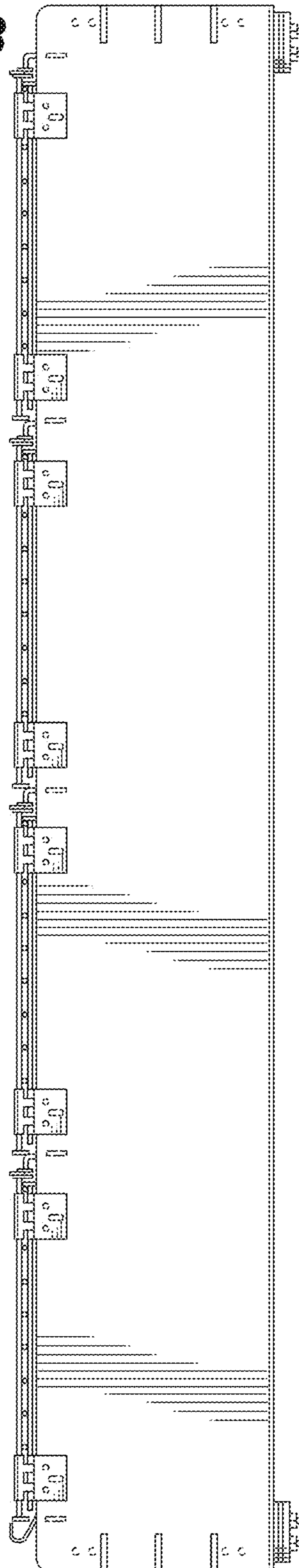


FIG. 4

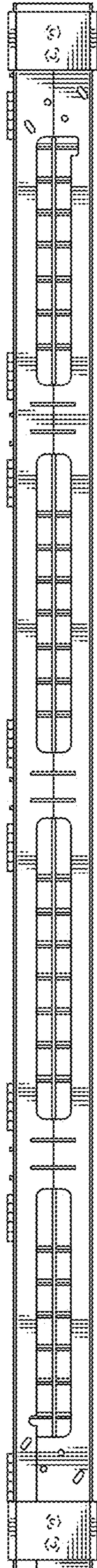


FIG. 5

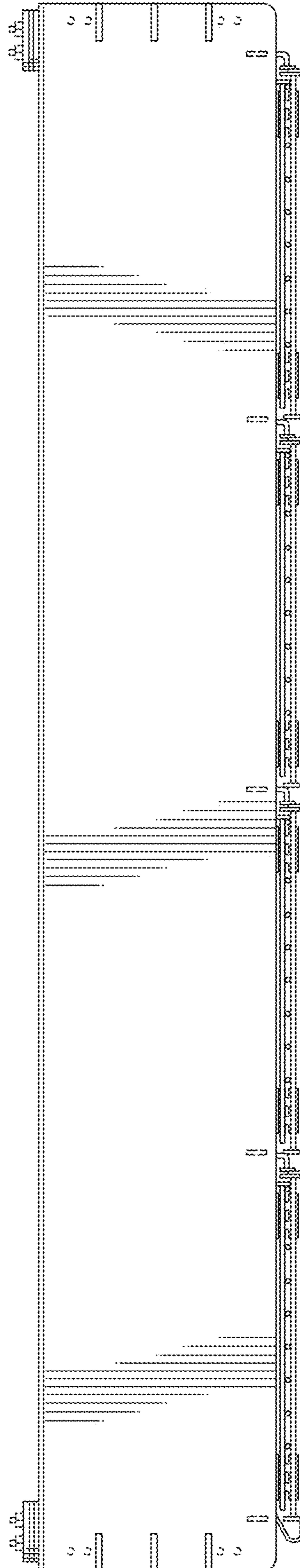


FIG. 6

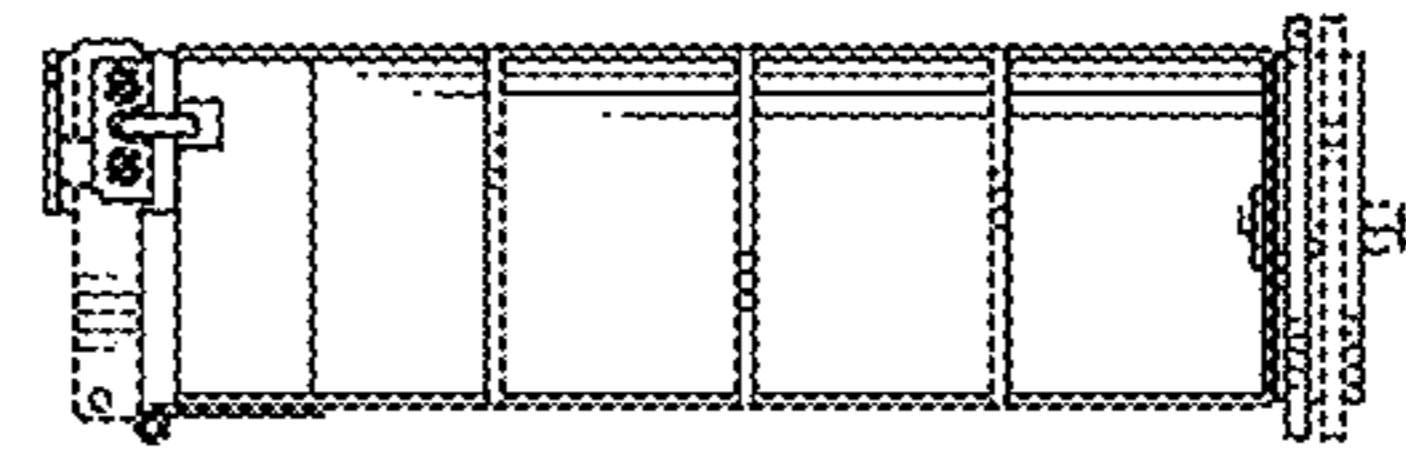


FIG. 7

