



US00D883602S

(12) **United States Design Patent** (10) **Patent No.:** **US D883,602 S**
Rossini et al. (45) **Date of Patent:** **** May 5, 2020**

(54) **POST ASSEMBLY FOR A MOBILE WORKSTATION**

D612,124 S * 3/2010 Rossini D34/12
8,726,814 B1 * 5/2014 Matteo A47B 9/16
108/116
D854,772 S * 7/2019 Ecklund D34/12

(71) Applicant: **JACO, Inc.**, Franklin, MA (US)

(Continued)

(72) Inventors: **Alfred P. Rossini**, Southborough, MA (US); **Thomas J. Bagley**, Upton, MA (US); **Govind Patel**, Bellingham, MA (US); **David Maloney**, Medway, MA (US); **Jeff Silverman**, Sharon, MA (US)

OTHER PUBLICATIONS

JACO, posted at Prlog.com, posted on Mar. 6, 2018, site visited Aug. 13, 2019. online, available from internet: <https://www.prlog.org/12695482-new-jaco-one-evo-debuts-at-himss18-weighs-up-to-60-lbs-less-than-competitors-full-sized-powered-carts.html> (Year: 2018).*

(73) Assignee: **JACO, INC.**, Franklin, MA (US)

Primary Examiner — Mary Ann Calabrese

Assistant Examiner — Catherine Ho

(**) Term: **15 Years**

(74) *Attorney, Agent, or Firm* — Kriegsman & Kriegsman

(21) Appl. No.: **29/655,290**

(22) Filed: **Jul. 2, 2018**

(57) **CLAIM**

(51) **LOC (12) Cl.** **12-02**

The ornamental design for a post assembly for a mobile workstation, as shown and described.

(52) **U.S. Cl.**

USPC **D34/27**

DESCRIPTION

(58) **Field of Classification Search**

USPC D6/353, 368, 642, 655, 655.1, 655.13, D6/55.14, 655.2, 655.21, 686, 687, 691, D6/691.9; D34/12, 21, 27

CPC A47B 83/00; A47B 83/001; A47B 5/00; A47B 5/006; A47B 57/00; A47B 57/30; A47B 57/54; A47B 87/02

See application file for complete search history.

FIG. 1 is a front, top, right side perspective view of a post assembly for a mobile workstation showing our new design; FIG. 2 is a front view of the post assembly for a mobile workstation shown in FIG. 1; FIG. 3 is a rear view of the post assembly for a mobile workstation shown in FIG. 1; FIG. 4 is a right side view of the post assembly for a mobile workstation shown in FIG. 1; FIG. 5 is left side view of the post assembly for a mobile workstation shown in FIG. 1; FIG. 6 is a top view the post assembly for a mobile workstation shown in FIG. 1; and, FIG. 7 is a bottom view of the post assembly for a mobile workstation shown in FIG. 1.

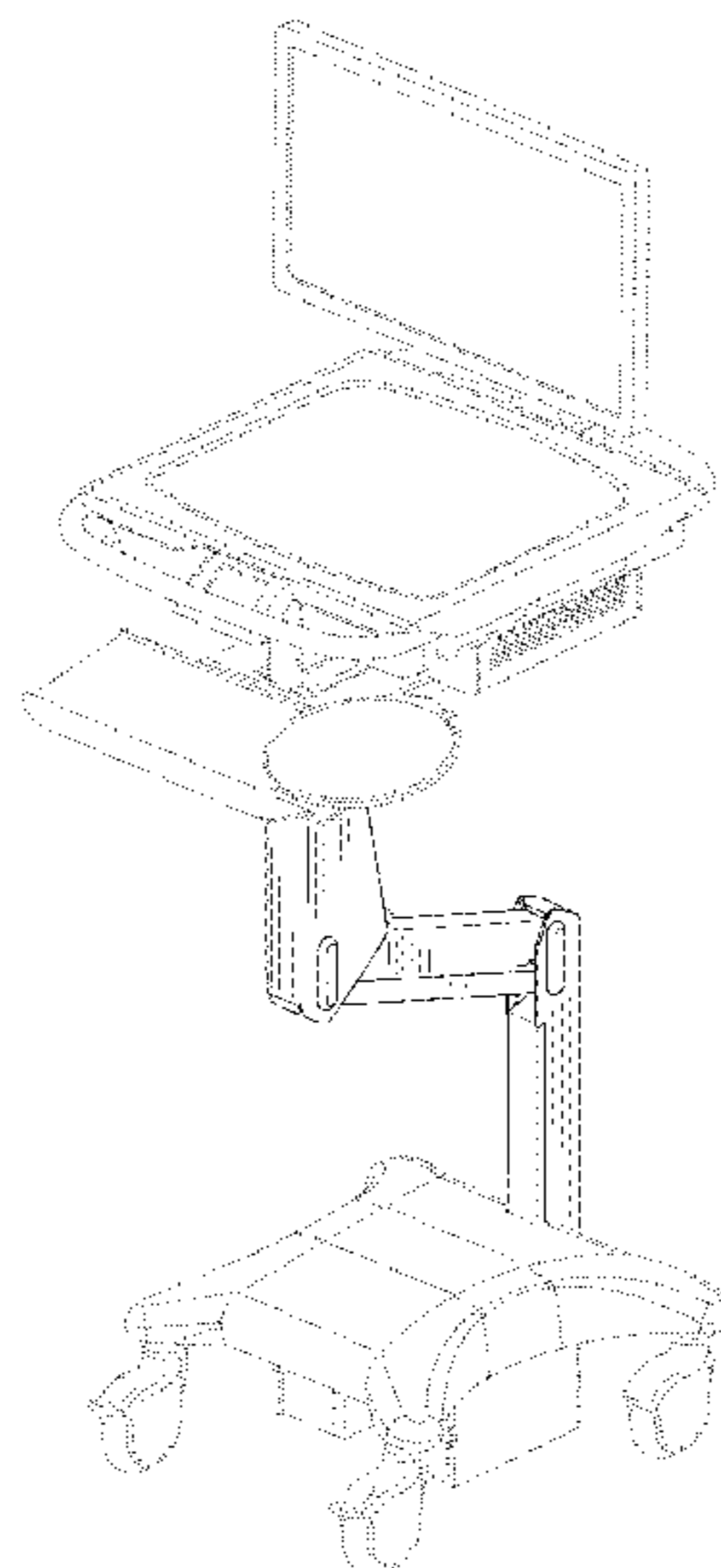
The broken lines shown in the figures represent a portion of the mobile workstation and form no portion of the claimed design.

(56) **References Cited**

U.S. PATENT DOCUMENTS

D393,382 S * 4/1998 Rutter D6/655
D493,977 S * 8/2004 Rossini D34/27
D518,267 S * 3/2006 Arceta D24/185
D535,509 S * 1/2007 Rossini D6/707.15
D536,151 S * 1/2007 Rossini D34/12
D539,794 S * 4/2007 Rossini D14/302
7,506,592 B2 * 3/2009 Rossini A47B 21/0314
108/147
D610,324 S * 2/2010 Rossini D34/12

1 Claim, 7 Drawing Sheets



(56)

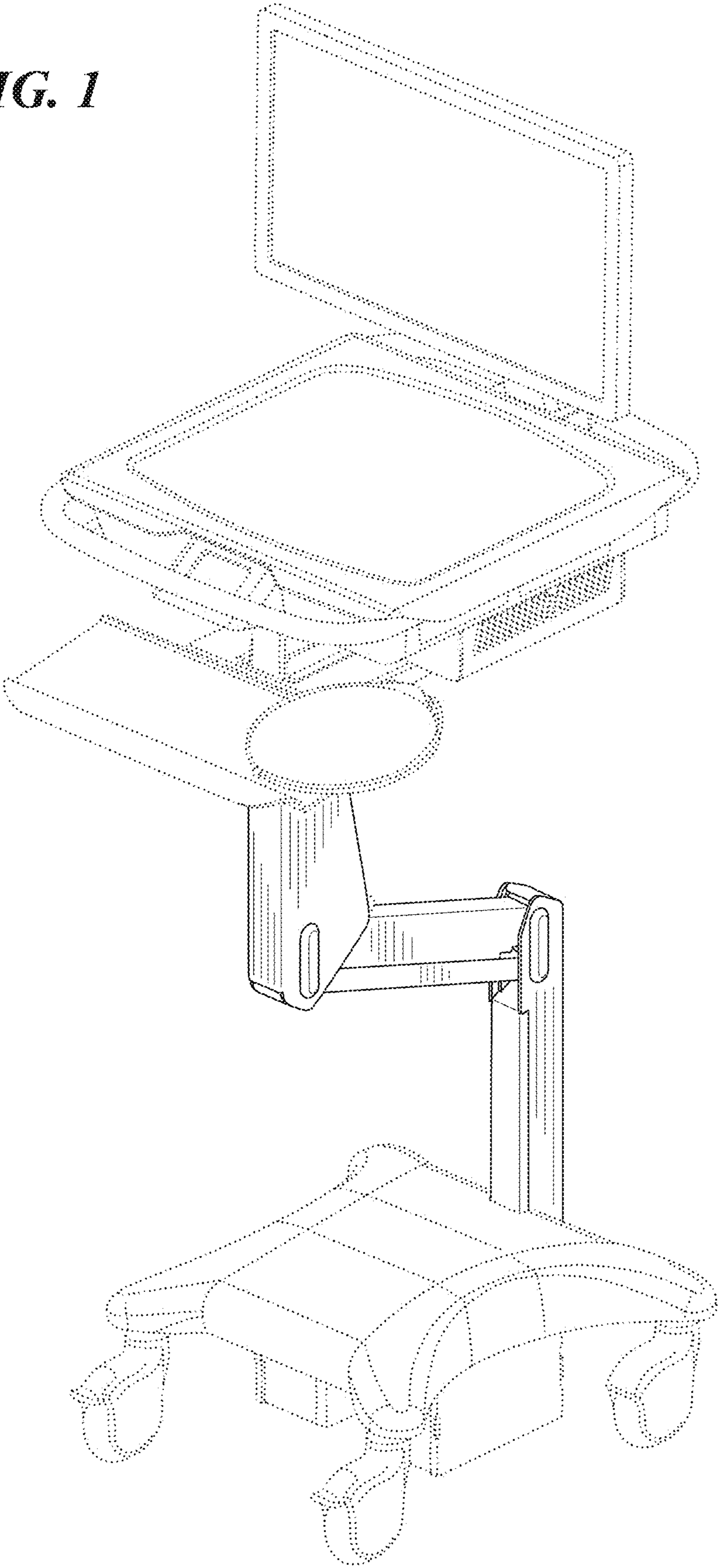
References Cited

U.S. PATENT DOCUMENTS

2005/0045072 A1* 3/2005 Rossini A47B 21/0314
108/50.01
2007/0001413 A1* 1/2007 Rossini A47B 21/00
280/47.35

* cited by examiner

FIG. 1



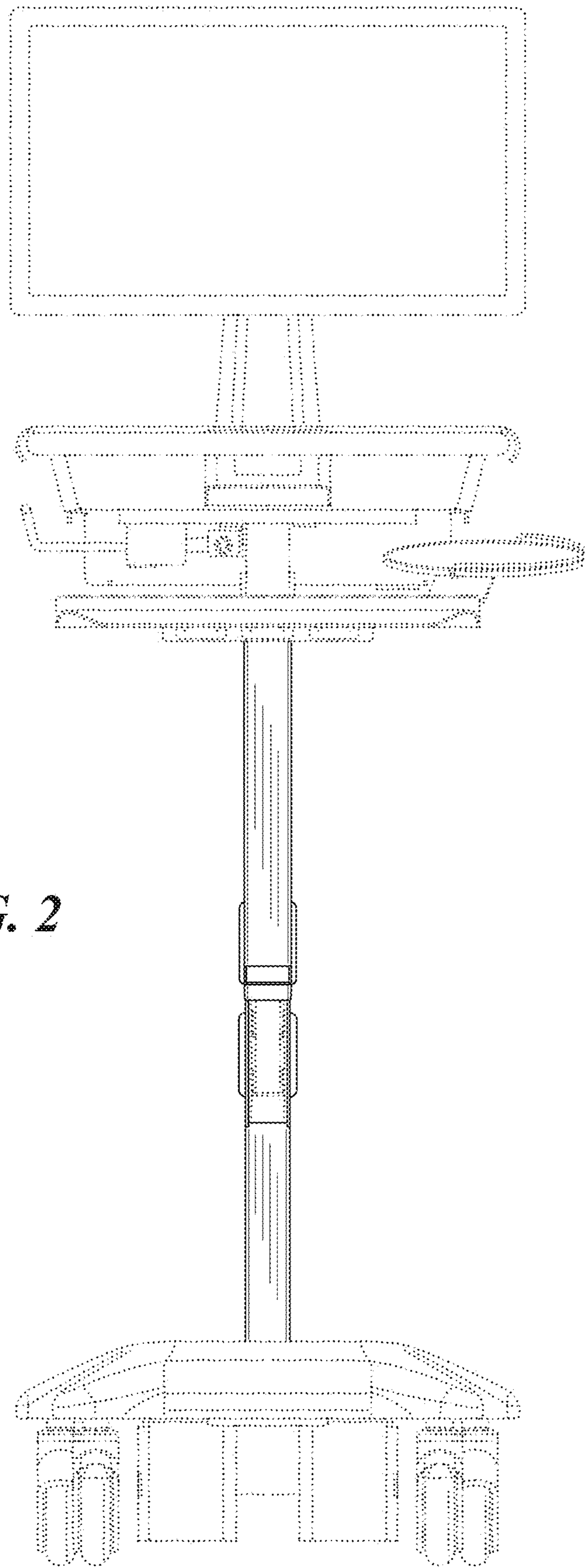


FIG. 2

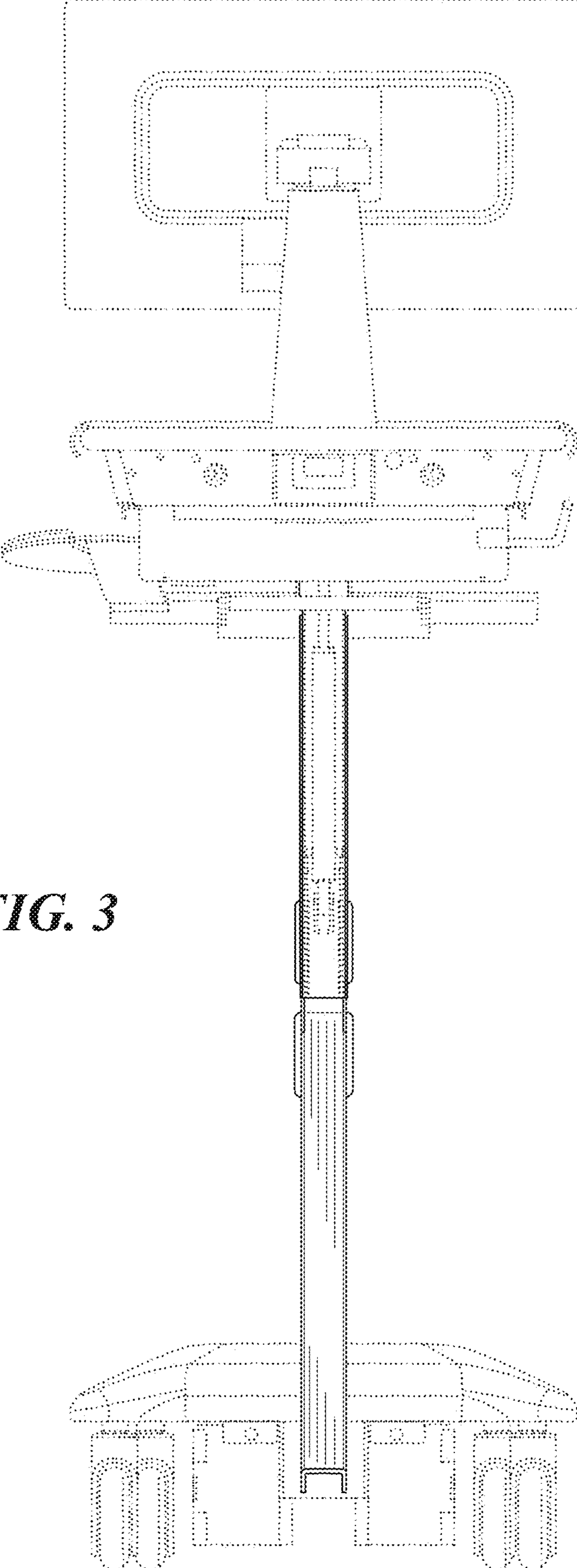


FIG. 3

FIG. 4

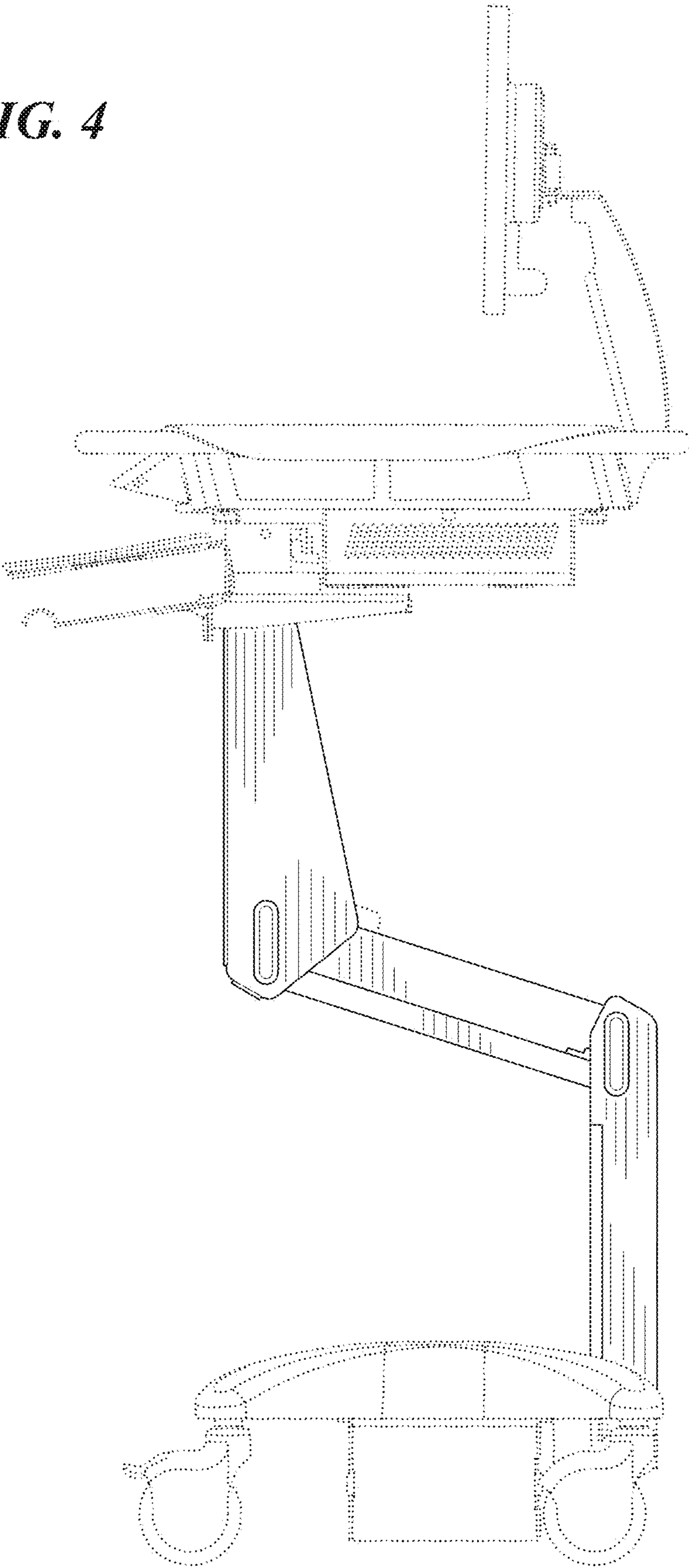
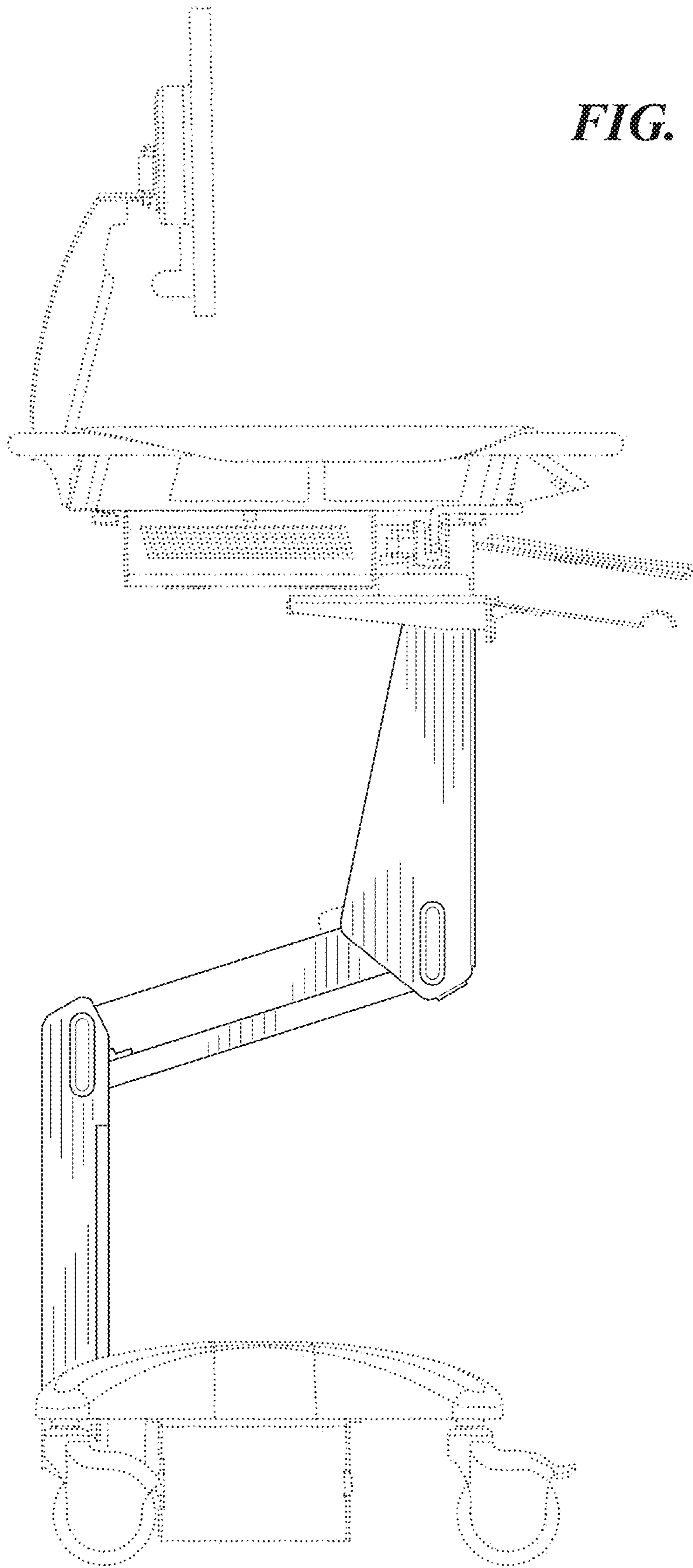


FIG. 5



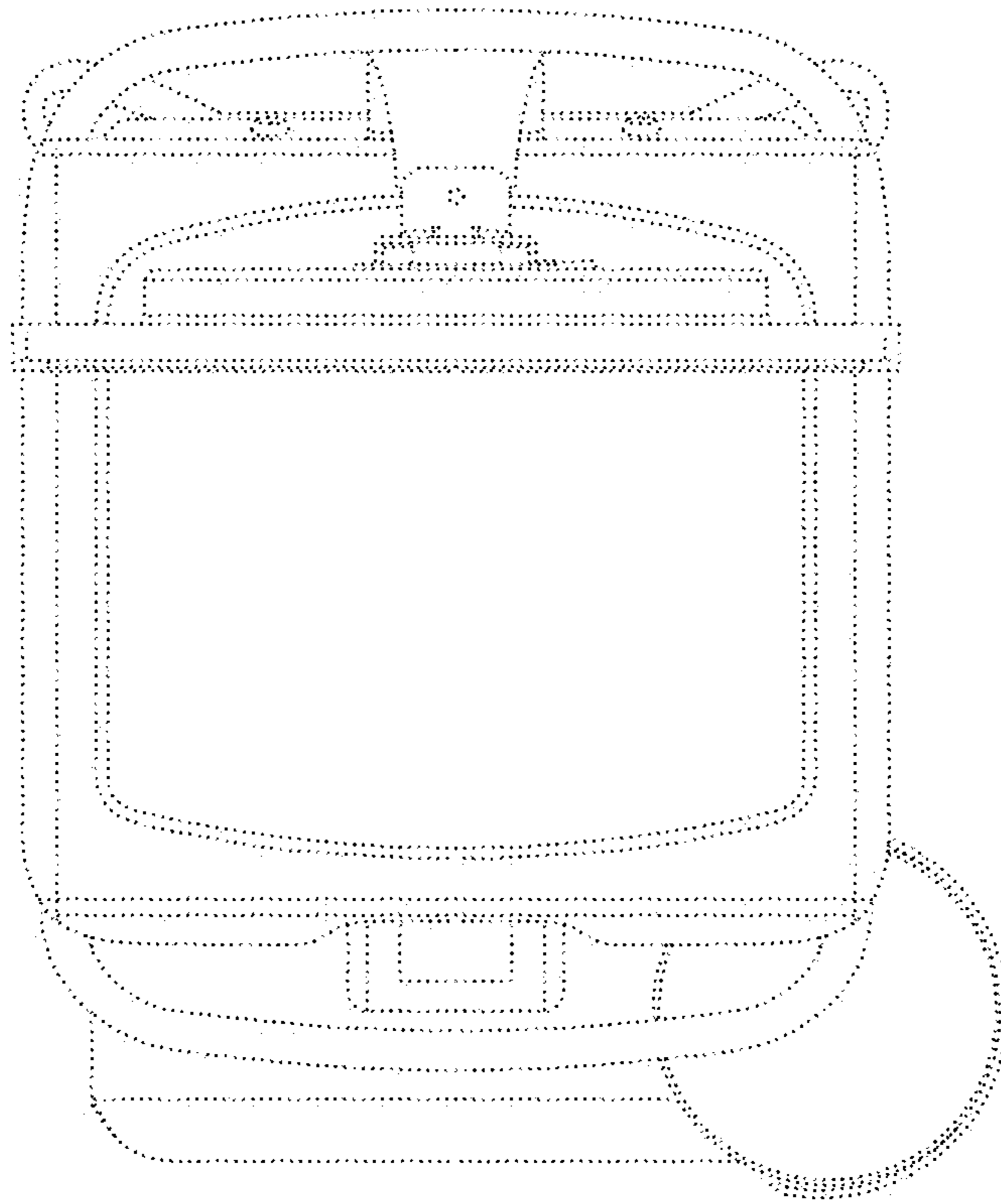


FIG. 6

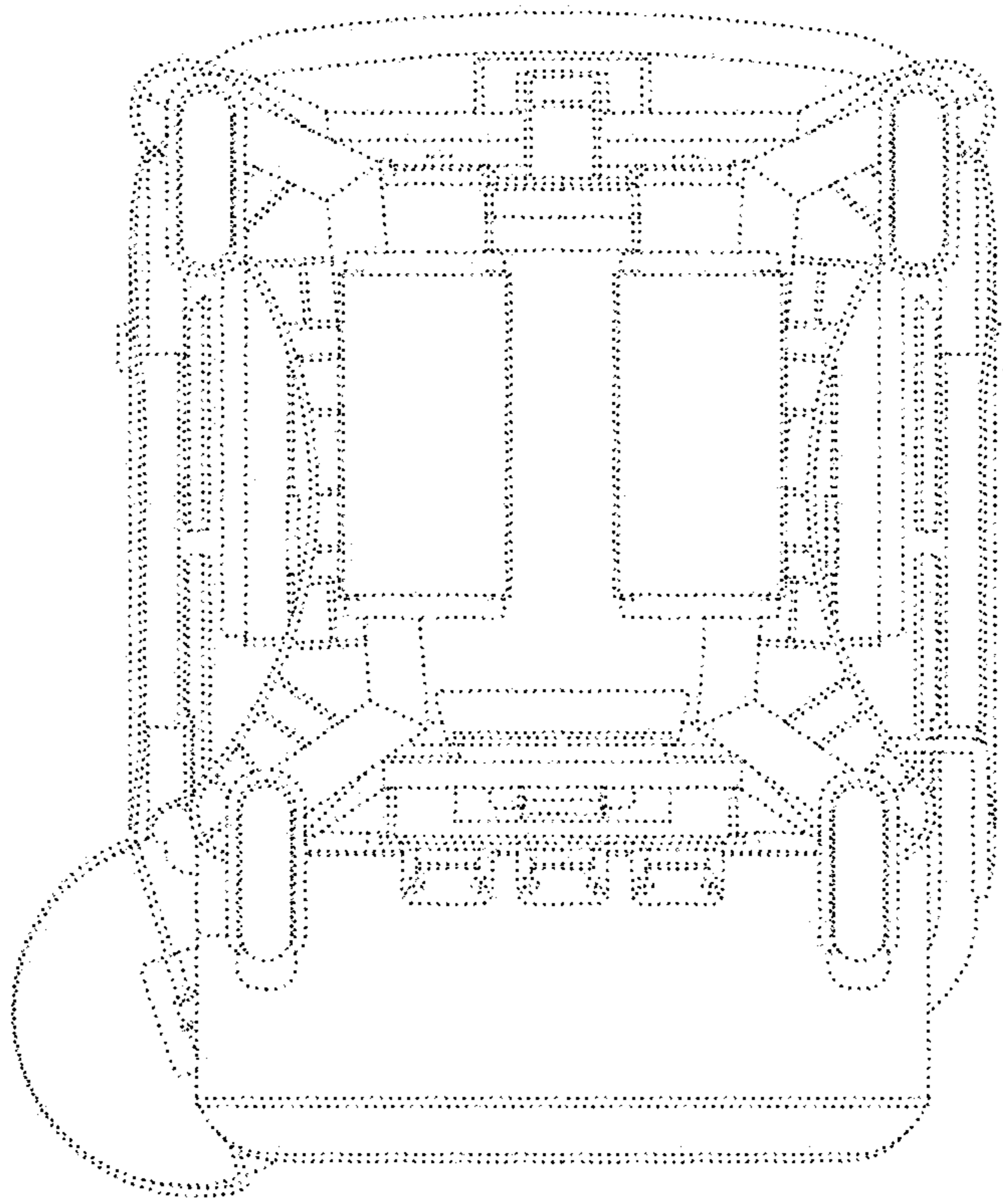


FIG. 7