



US00D883599S

(12) **United States Design Patent** (10) **Patent No.:** **US D883,599 S**
Barre et al. (45) **Date of Patent:** **** *May 5, 2020**

(54) **GARMENT BASKET**

- (71) Applicant: **NEATFREAK GROUP INC.**,
Mississauga (CA)
- (72) Inventors: **Bertrand Barre**, Lapeyrouse (FR);
Francis Lepage, Dommartin (FR); **Yan
Feng**, Mississauga (CA)
- (73) Assignee: **NEATFREAK GROUP INC.**,
Mississauga, Ontario (CA)
- (*) Notice: This patent is subject to a terminal dis-
claimer.

(**) Term: **15 Years**

(21) Appl. No.: **29/635,431**

(22) Filed: **Jan. 31, 2018**

(51) **LOC (12) Cl.** **09-04**

(52) **U.S. Cl.**
USPC **D32/37**

(58) **Field of Classification Search**
USPC D32/36, 37, 53; D3/201, 304, 305, 306,
D3/307, 308, 309, 312, 314; D6/315,
D6/331, 657, 659, 663, 664, 667, 675,
D6/677, 683, 686; D7/638; D9/420,
D9/423, 501, 503, 517, 633, 721, 738,
D9/742, 772; D34/5, 6, 11
CPC A45C 7/0059; A45C 3/00; A45C 9/00;
A45C 13/04; A45C 2009/007; A45C
2003/008; B65D 33/02; B65D 33/007;
(Continued)

(56) **References Cited**

U.S. PATENT DOCUMENTS

- D275,618 S * 9/1984 Agard D3/295
 - D279,038 S * 5/1985 Thompson, Jr. D32/37
- (Continued)

OTHER PUBLICATIONS

Barre, Bertrand et al., co-pending Design U.S. Appl. No. 29/635,417
entitled "Garment Hamper", filed Jan. 31, 2018.
(Continued)

Primary Examiner — Michelle E. Wilson
(74) *Attorney, Agent, or Firm* — Patzik, Frank &
Samotny Ltd.

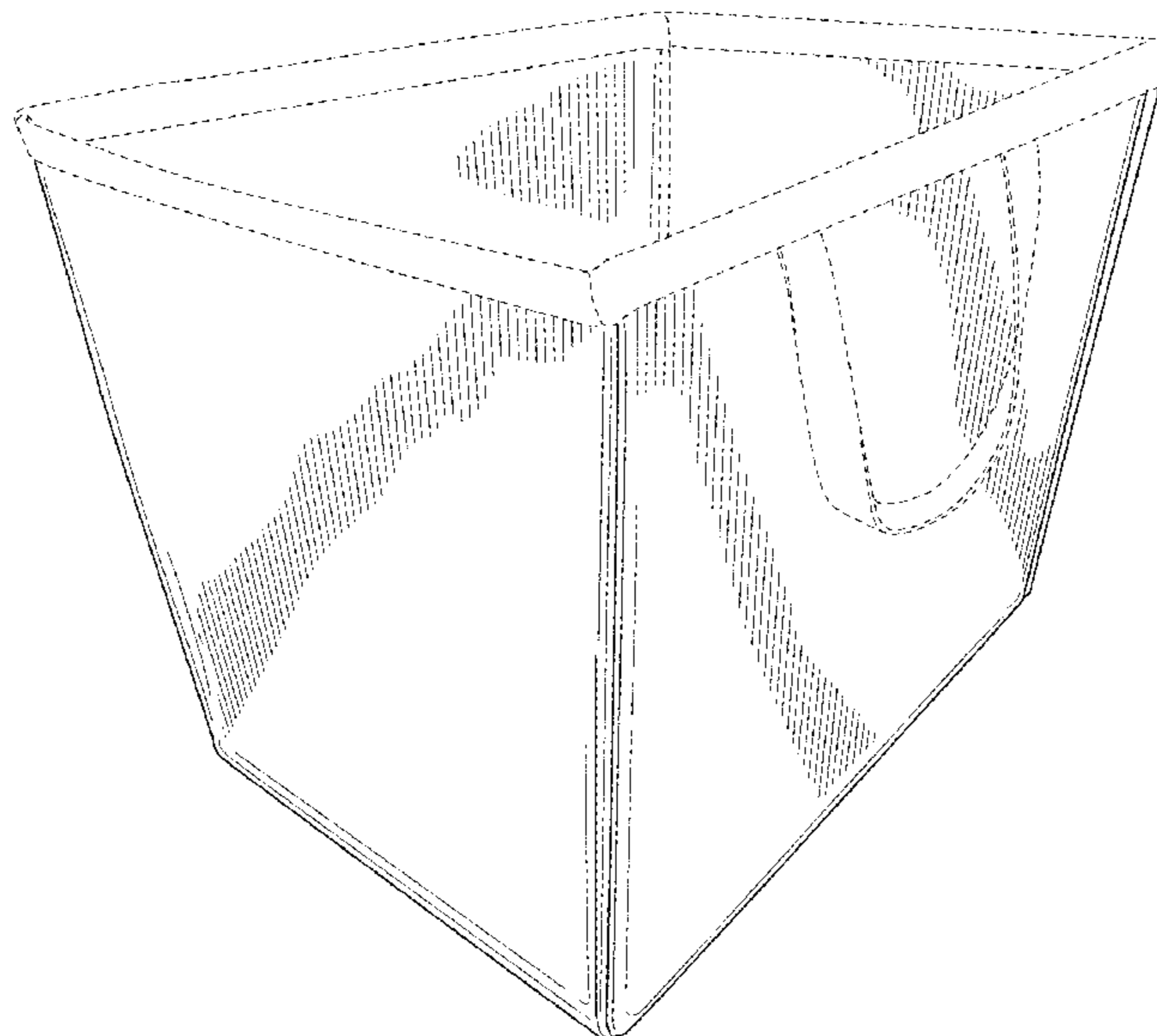
(57) **CLAIM**

The ornamental design for a garment basket, as shown and
described.

DESCRIPTION

FIG. 1 is a front perspective view of the garment basket of the present invention, shown in a first configuration;
FIG. 2 is a front elevation view of the garment basket of the present invention, shown in the first configuration, the rear elevation view being a mirror image thereof;
FIG. 3 is a left-side elevation view of the garment basket of the present invention, shown in the first configuration, the right-side elevation view being a mirror image thereof;
FIG. 4 is a top plan view of the garment basket of the present invention, shown in the first configuration;
FIG. 5 is a bottom plan view of the garment basket of the present invention, shown in the first configuration;
FIG. 6 is a front perspective view of the garment basket of the present invention, shown in a second configuration;
FIG. 7 is a front elevation view of the garment basket of the present invention, shown in the second configuration, the rear elevation view being a mirror image thereof;
FIG. 8 is a left-side elevation view of the garment basket of the present invention, shown in the second configuration, the right-side elevation view being a mirror image thereof;
FIG. 9 is a top plan view of the garment basket of the present invention, shown in the second configuration; and,
FIG. 10 is a bottom plan view of the garment basket of the present invention, shown in the second configuration.
The portions of the garment basket shown in broken lines form no part of the claimed design.

1 Claim, 10 Drawing Sheets



(58) **Field of Classification Search**
 CPC B65D 33/10; B65D 29/00; B65B 67/125;
 D06F 95/002
 See application file for complete search history.

(56) **References Cited**

U.S. PATENT DOCUMENTS

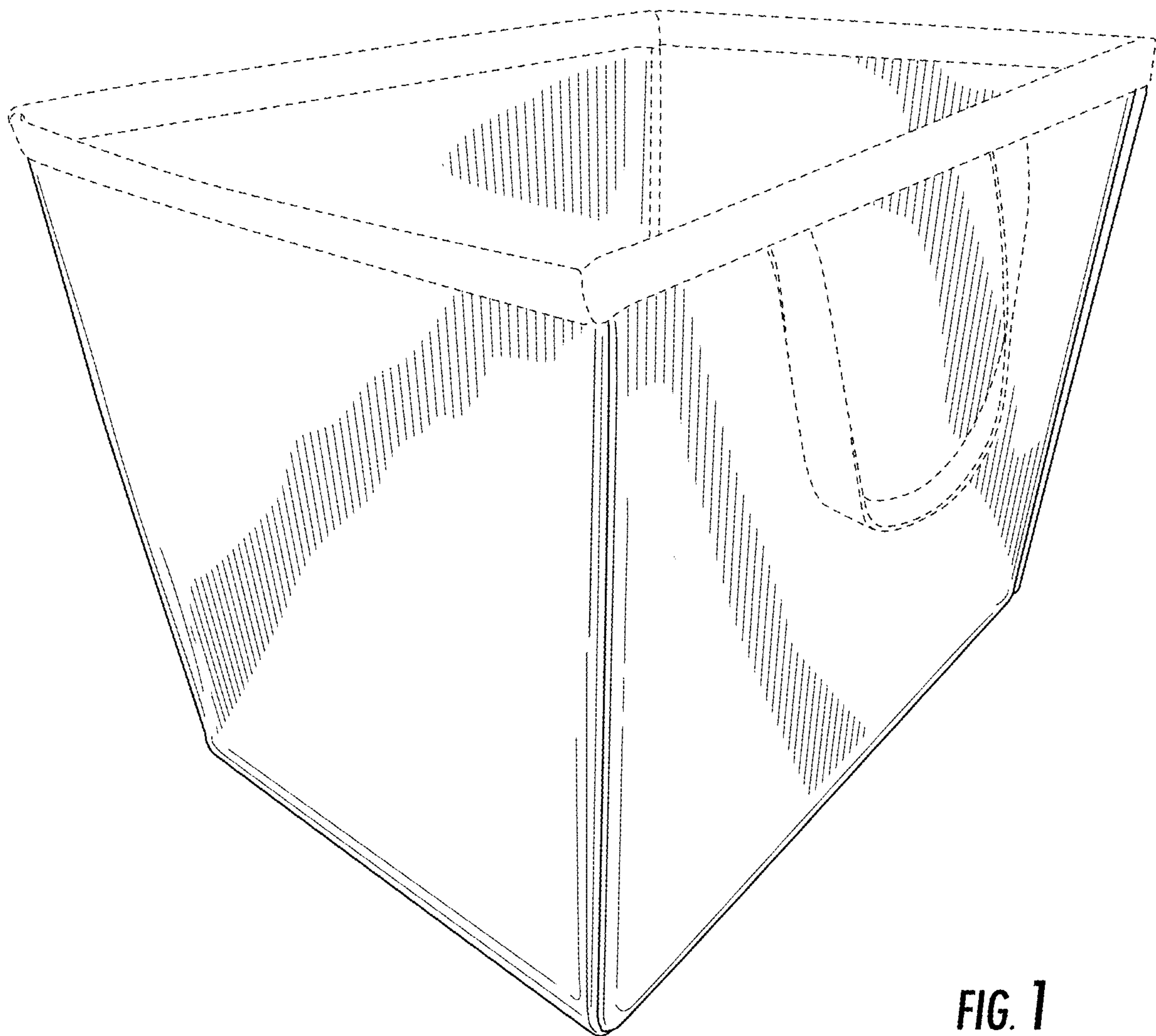
4,560,096	A *	12/1985	Lucas	B62B 3/1464
					220/9.4
4,588,154	A *	5/1986	Basore	B65B 67/1244
					211/206
D290,538	S *	6/1987	Basore	D32/37
D304,252	S *	10/1989	Ferguson	D32/37
4,871,100	A	10/1989	Posner		
5,205,610	A	4/1993	Reninger		
D342,365	S *	12/1993	Conaway	D32/37
D552,351	S *	10/2007	Bauers	D21/721
D703,895	S *	4/2014	Wang	D32/37
8,905,411	B1 *	12/2014	Blanton	B62B 3/106
					280/33.991
D721,232	S *	1/2015	Krotts	D3/305
D728,940	S *	5/2015	Krotts	D3/305
D732,778	S *	6/2015	Taulman	D32/37
9,144,278	B2 *	9/2015	Morrow	A45C 3/04
D761,012	S *	7/2016	Quarless	D3/232

D787,767	S *	5/2017	Wall	D32/37
10,011,292	B2 *	7/2018	Strawser	B62B 3/1464
D827,960	S *	9/2018	Barre	D32/37
2006/0169691	A1	8/2006	Rothschild et al.		
2006/0201979	A1	9/2006	Achilles		
2006/0231692	A1	10/2006	Sabounjian		
2009/0101253	A1	4/2009	Kinskey et al.		
2013/0092686	A1	4/2013	Sabounjian		
2015/0272289	A1	10/2015	Schinasi		
2018/0266046	A1 *	9/2018	Barre	D06F 95/002

OTHER PUBLICATIONS

Barre, Bertrand et al., co-pending U.S. Appl. No. 15/884,422 entitled "Shape Shifting Hamper and Bag", filed Jan. 31, 2018.
 Barre, Bertrand et al., co-pending Design U.S. Appl. No. 29/635,417 entitled "Garment Hamper", filed Jan. 31, 2018, having a common applicant, assignee and inventors with the present application.
 Office Action dated Jan. 2, 2019 in Canadian Patent Application No. 2,997,437, which claims priority to U.S. Appl. No. 15/844,422.
 Barre, Bertrand et al., co-pending Design U.S. Appl. No. 15/884,422 entitled "Shape Shifting Hamper and Bag", filed Jan. 31, 2018, having a common applicant, assignee and inventors with the present application.

* cited by examiner



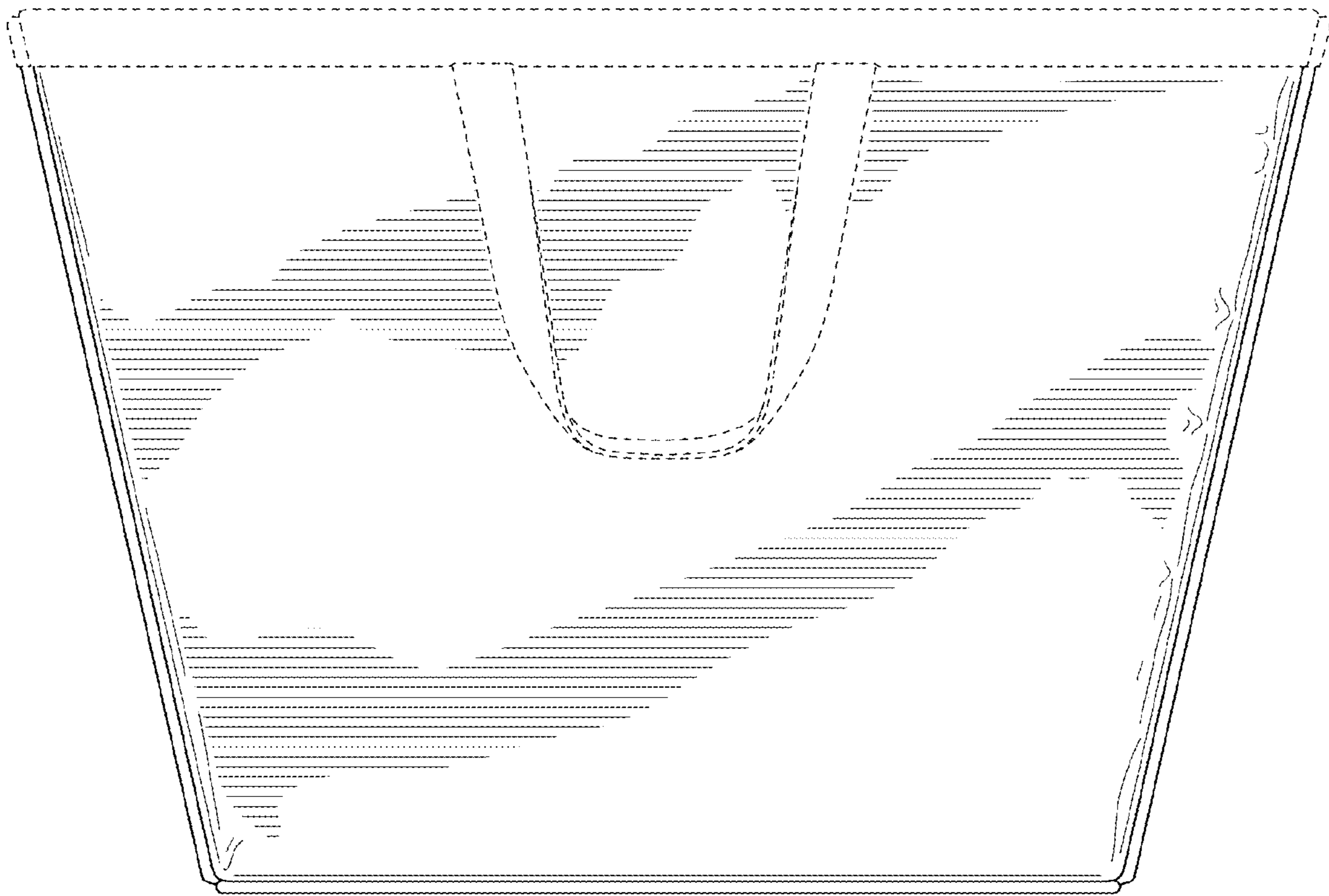


FIG. 2

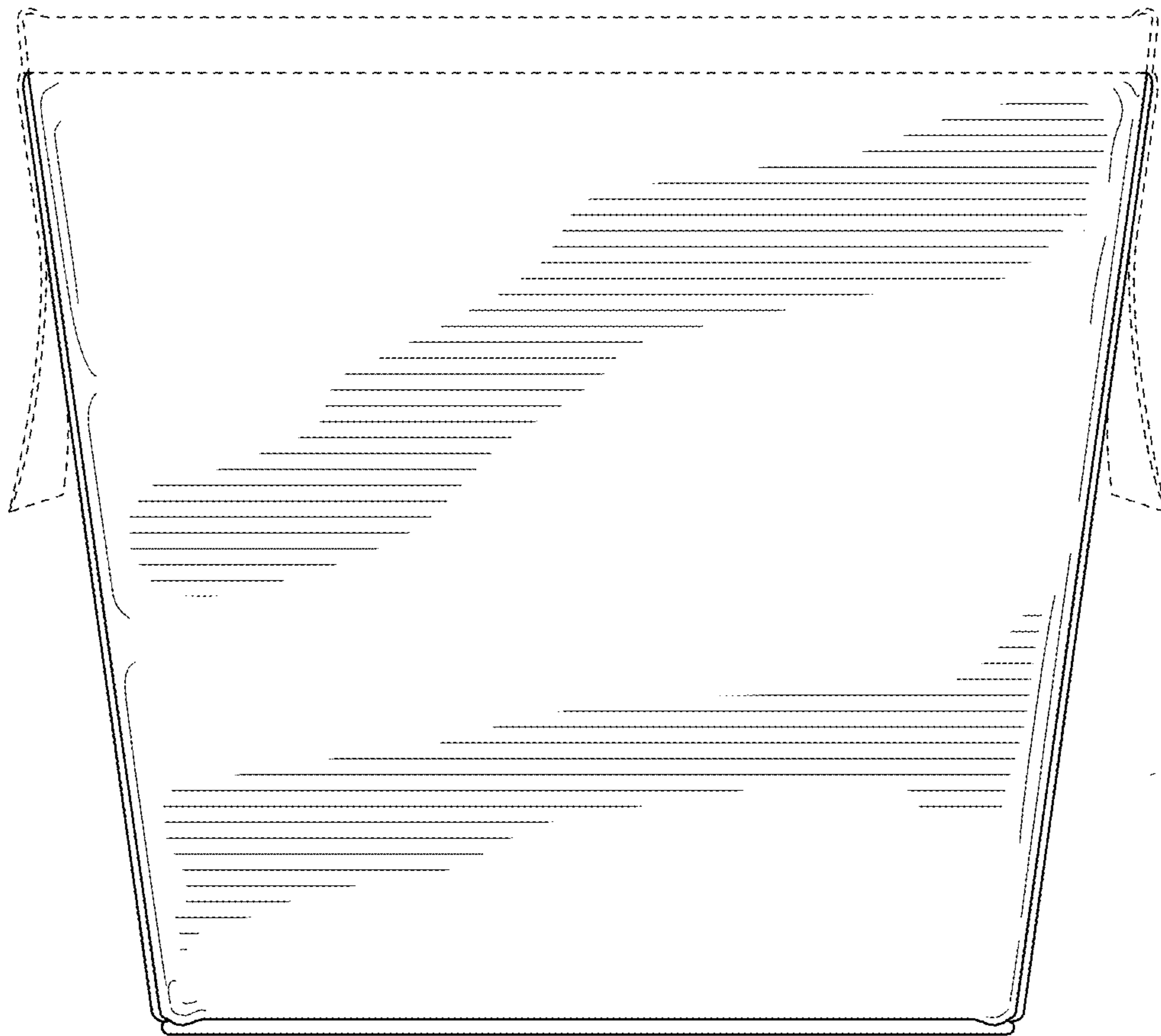


FIG. 3

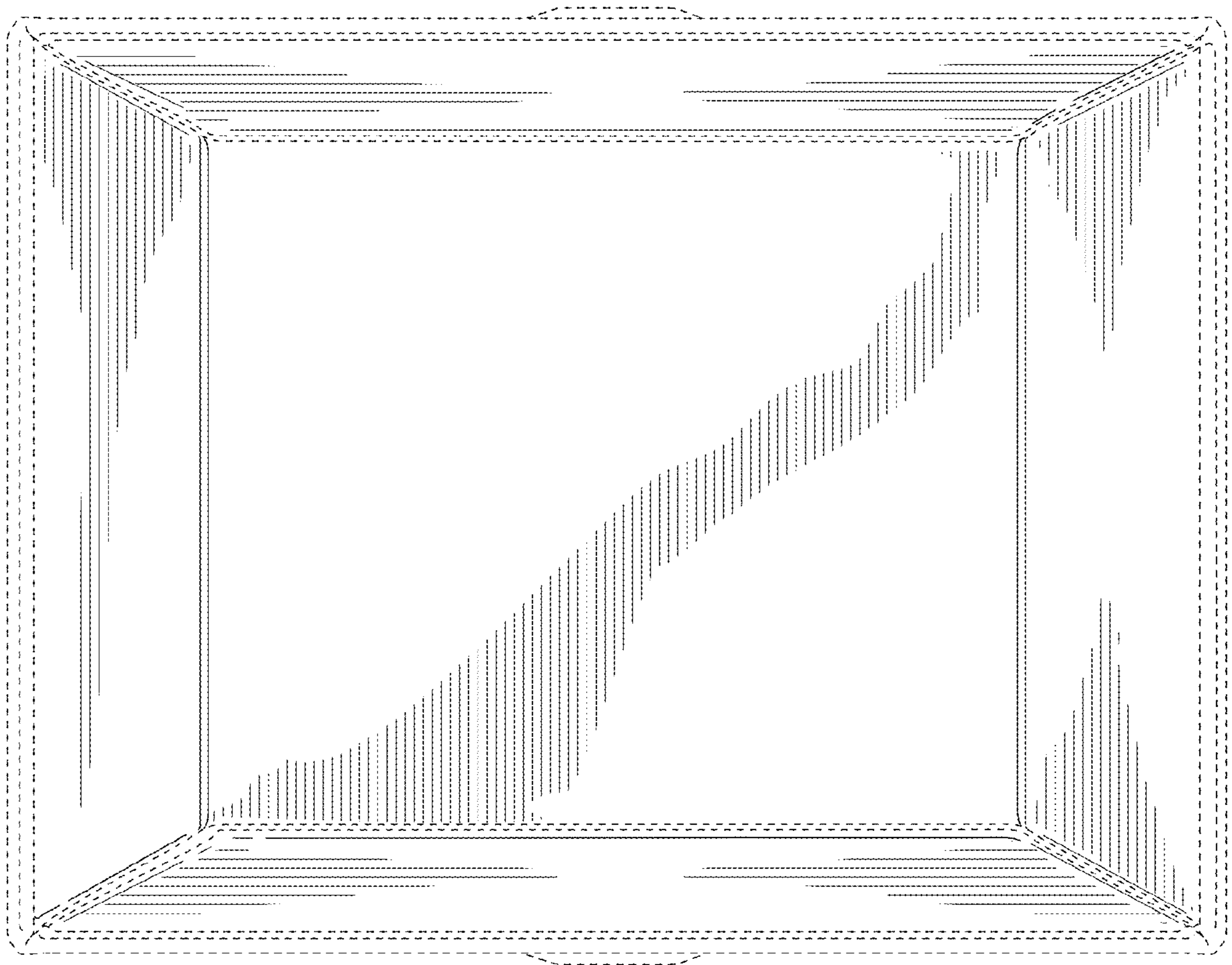


FIG. 4

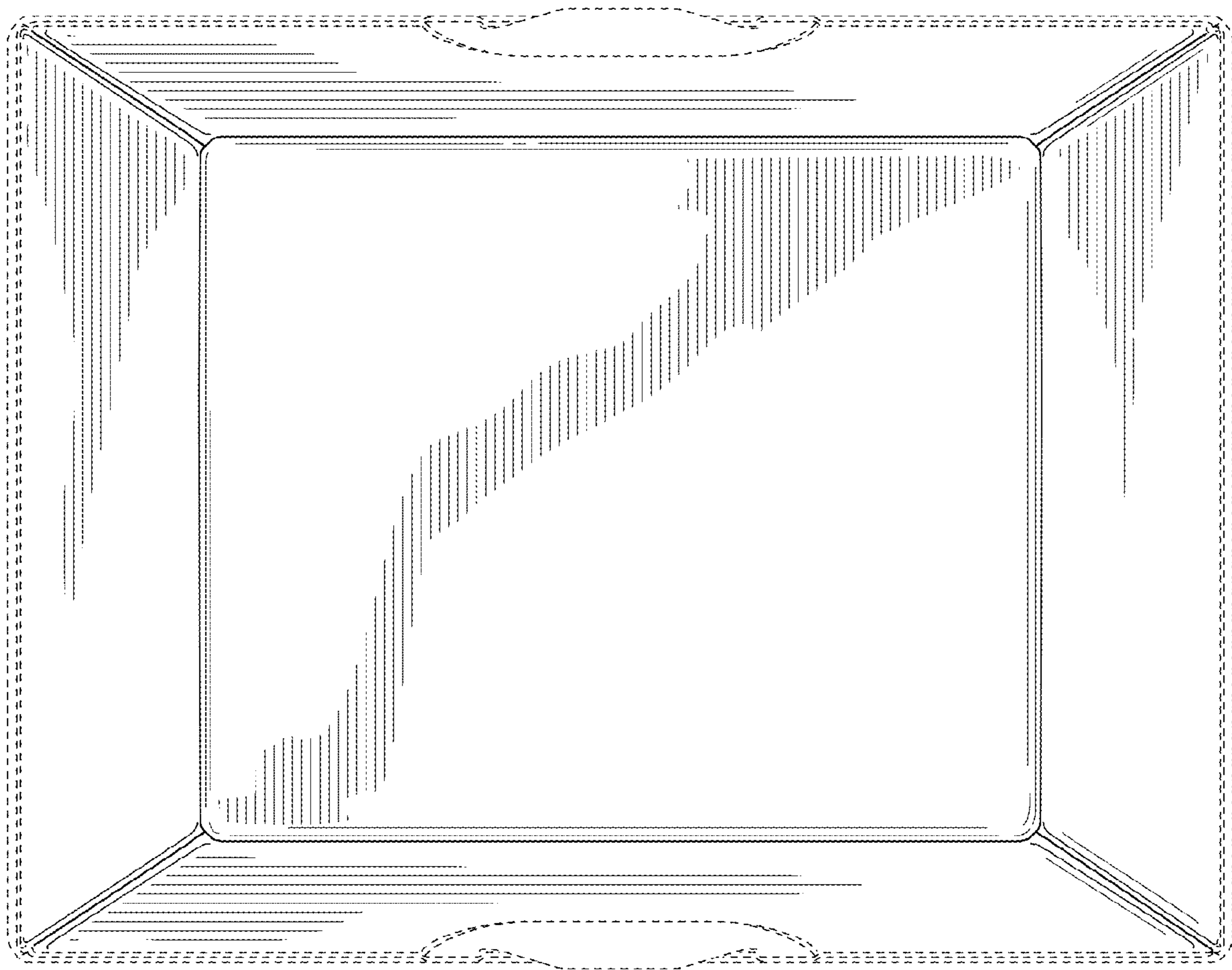


FIG. 5

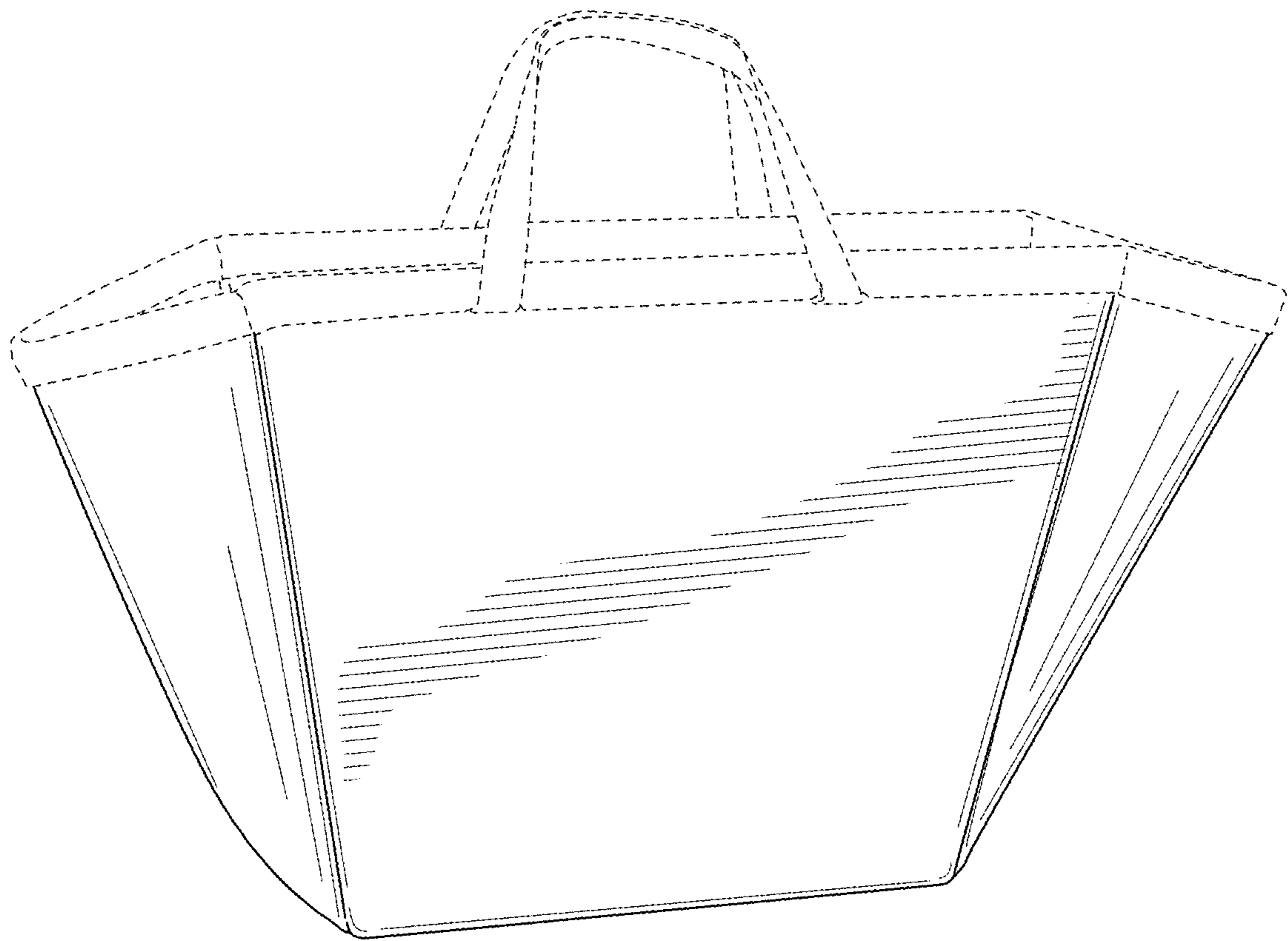


FIG. 6

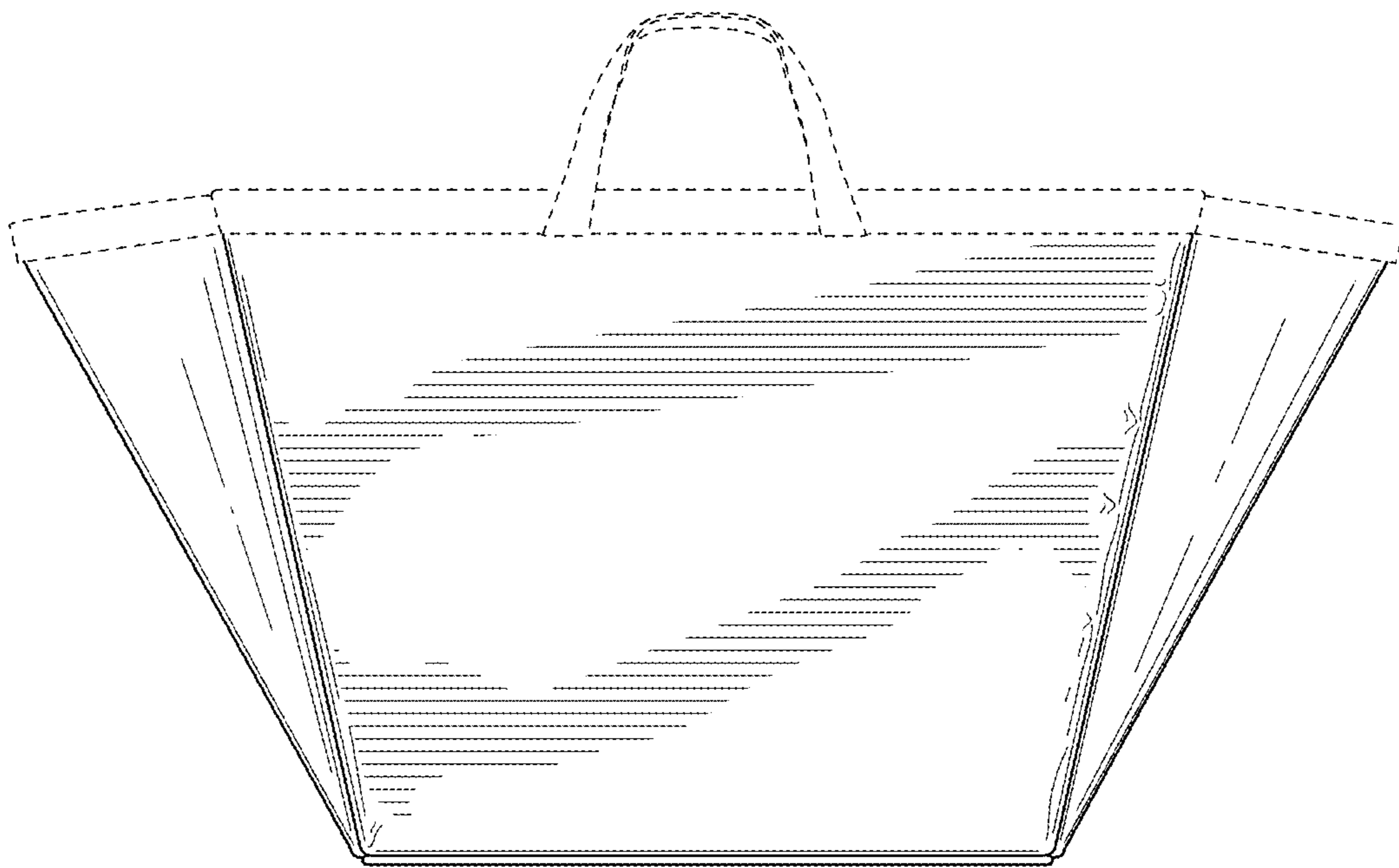


FIG. 7

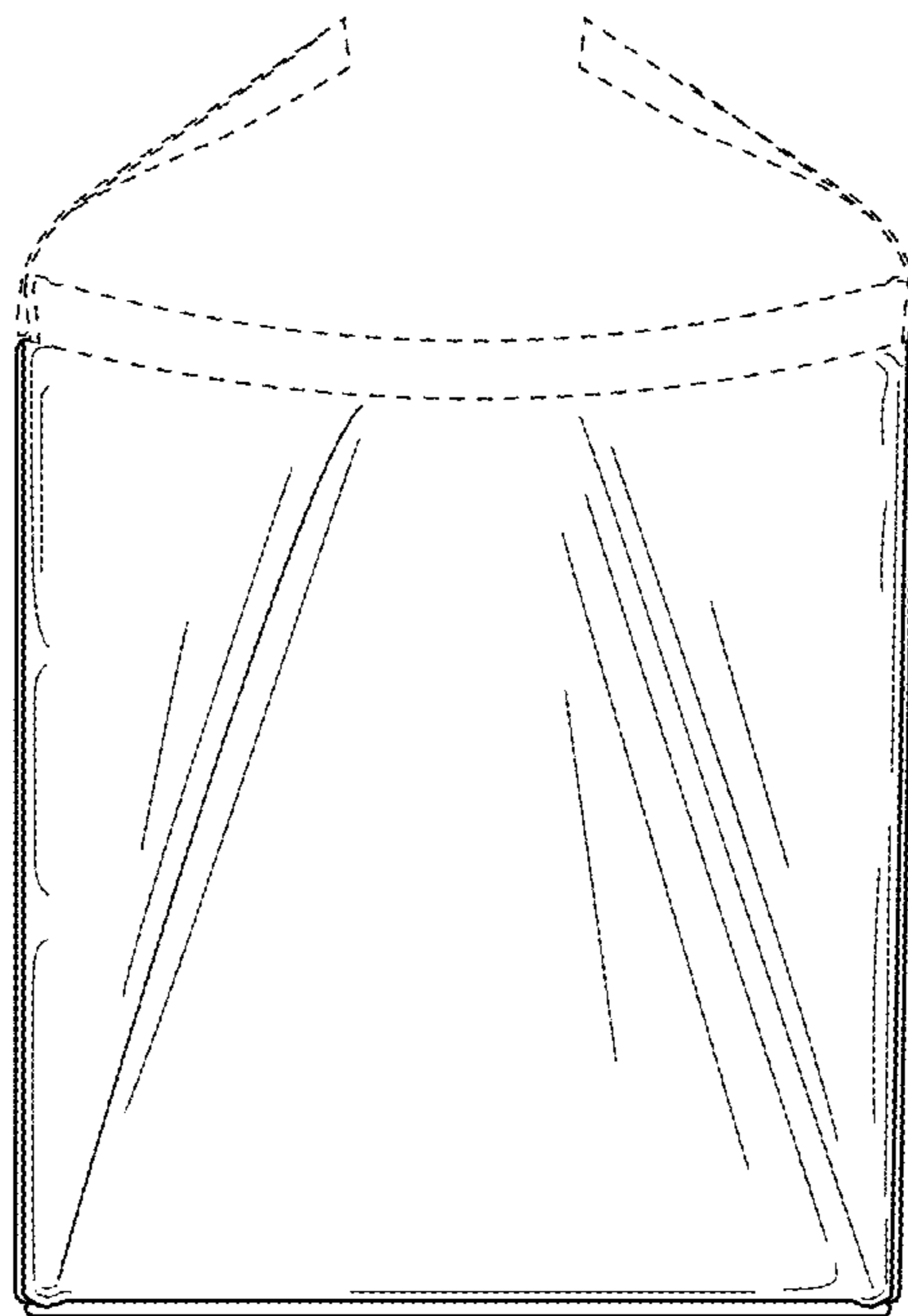


FIG. 8

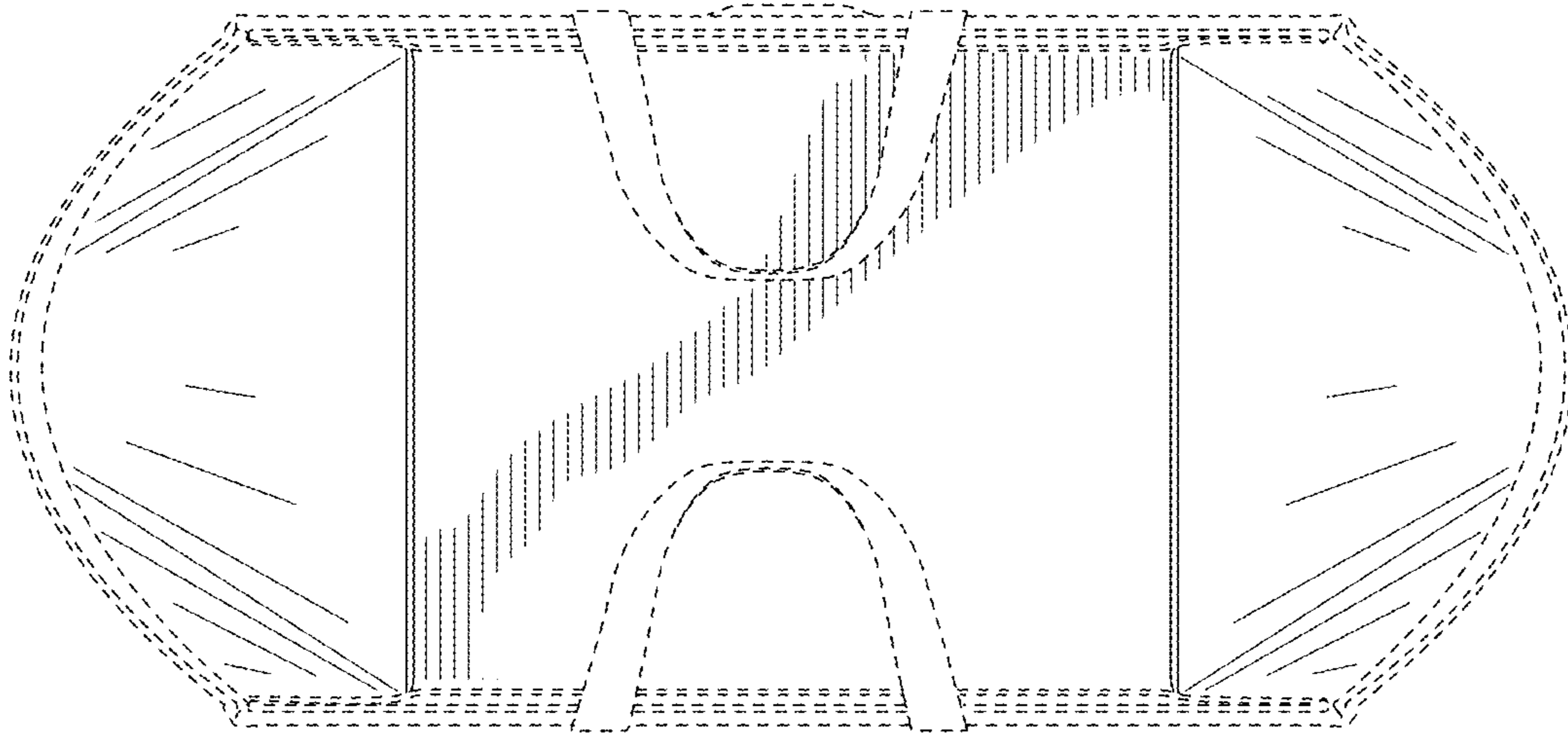


FIG. 9

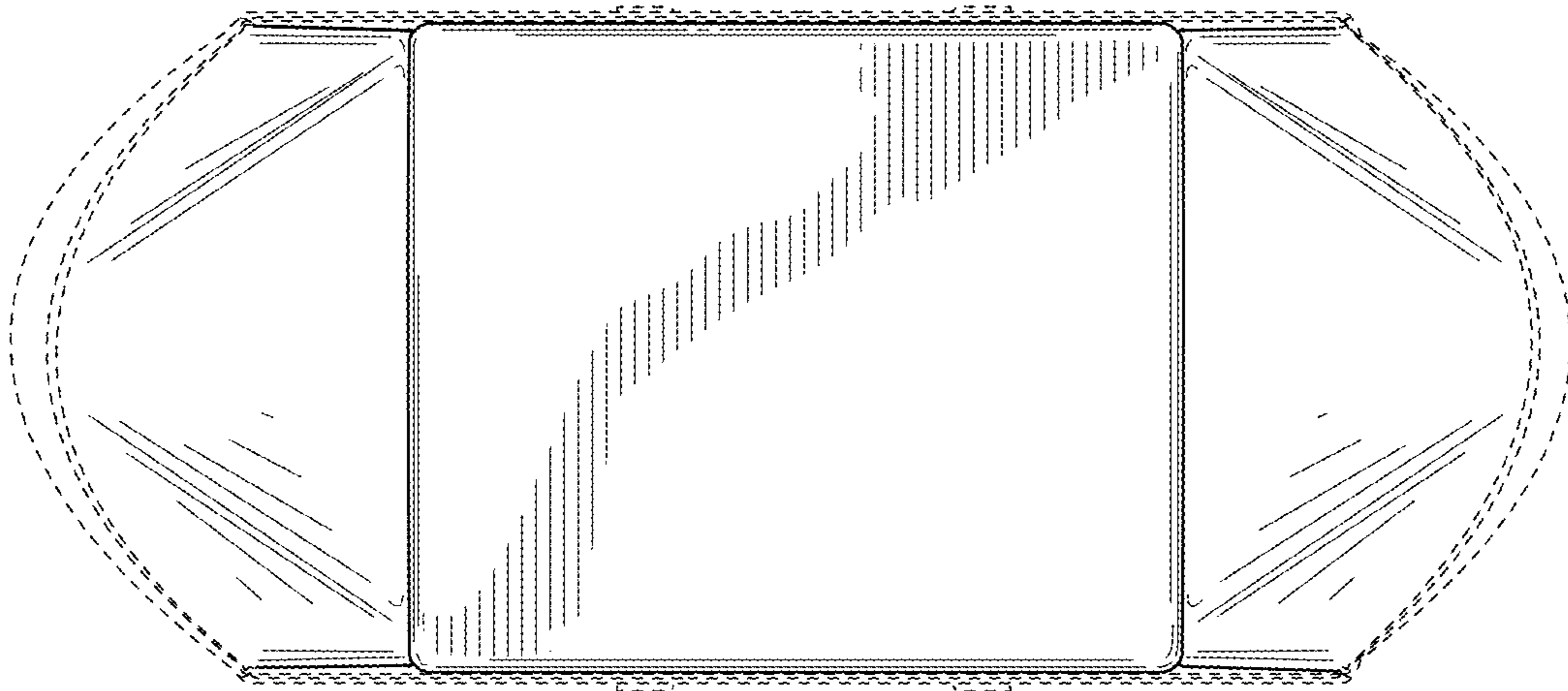


FIG. 10