



US00D883596S

(12) **United States Design Patent**
Li et al.

(10) **Patent No.:** **US D883,596 S**
(45) **Date of Patent:** **** May 5, 2020**

(54) **SUCTION DEVICE**

(71) Applicant: **Ecovacs Robotics Co., Ltd.**, Suzhou (CN)

(72) Inventors: **Xiaowen Li**, Nanjing (CN); **Fang He**, Nanjing (CN)

(73) Assignee: **ECOVACS ROBOTICS CO., LTD.**, Suzhou (CN)

(**) Term: **15 Years**

(21) Appl. No.: **29/660,780**

(22) Filed: **Aug. 22, 2018**

(51) **LOC (12) Cl.** **15-05**

(52) **U.S. Cl.**
USPC **D32/25**

(58) **Field of Classification Search**
USPC D32/21, 23-24, 31
CPC ... E04H 4/1654; E04H 4/1663; E04H 4/1672;
A47L 9/2842; A47L 9/2636; A47L
9/2852; G06N 3/008; G05D 1/0225
See application file for complete search history.

(56) **References Cited**

U.S. PATENT DOCUMENTS

D548,902 S	*	8/2007	Chun	D32/21
D556,961 S	*	12/2007	Swyst	D15/199
D665,547 S	*	8/2012	Nam	D32/21
D669,235 S	*	10/2012	Bassett	D32/21
D690,478 S	*	9/2013	Li	D32/21

D703,397 S	*	4/2014	Sungkyung	D32/21
D714,002 S	*	9/2014	Casini	D32/21
D714,003 S	*	9/2014	Casini	D32/21
D715,504 S	*	10/2014	Deoksang	D32/21
D771,884 S	*	11/2016	Ninomiya	D32/21
D835,869 S	*	12/2018	Li	D32/21
D840,617 S	*	2/2019	Dou	D32/21
D843,671 S	*	3/2019	Chei	D32/21

FOREIGN PATENT DOCUMENTS

CN	302990102 S	11/2014
CN	303326809 S	8/2015
CN	304523031 S	3/2018
CN	304721463 S	7/2018

* cited by examiner

Primary Examiner — Michael A. Pratt

(74) *Attorney, Agent, or Firm* — Maschoff Brennan

(57) **CLAIM**

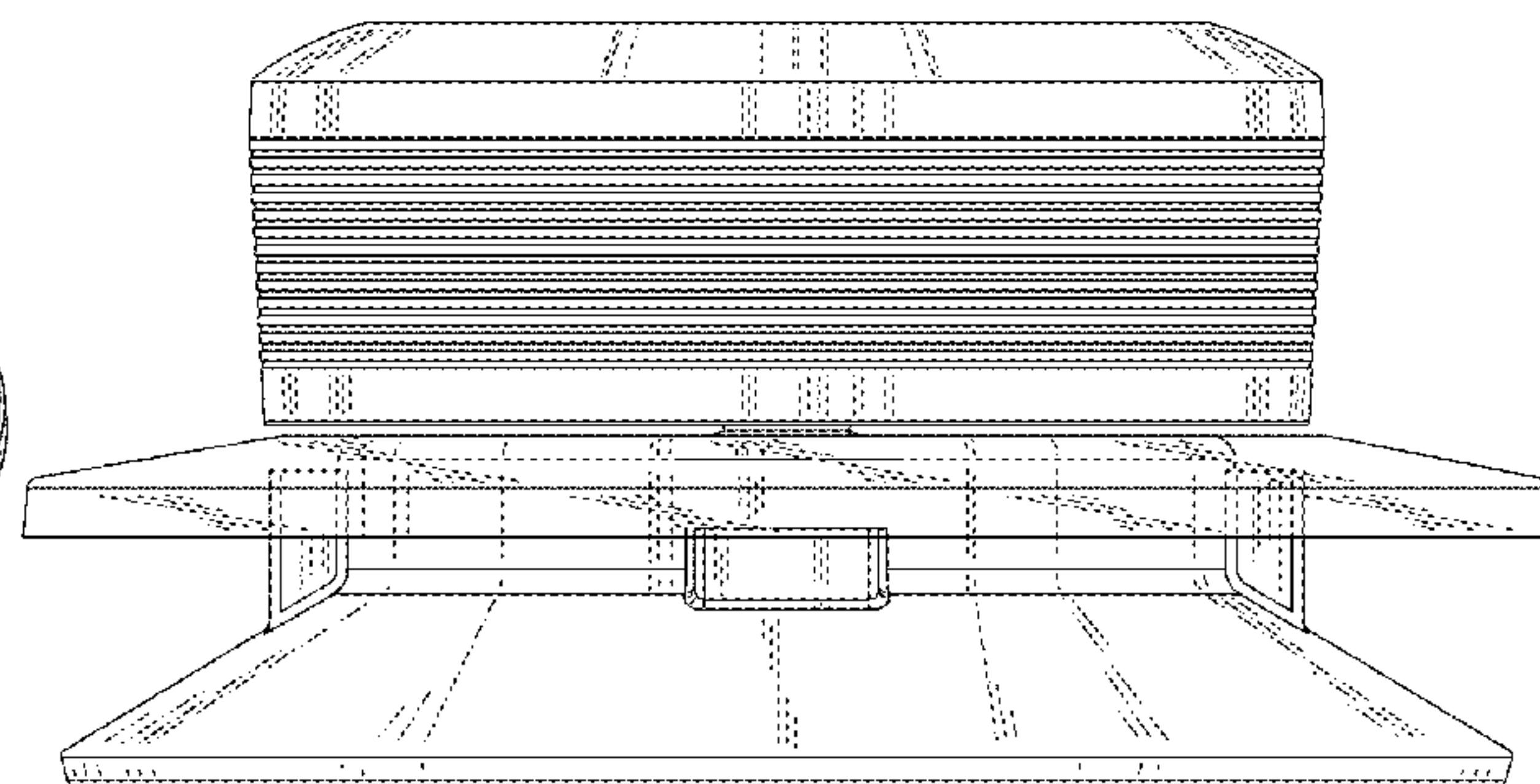
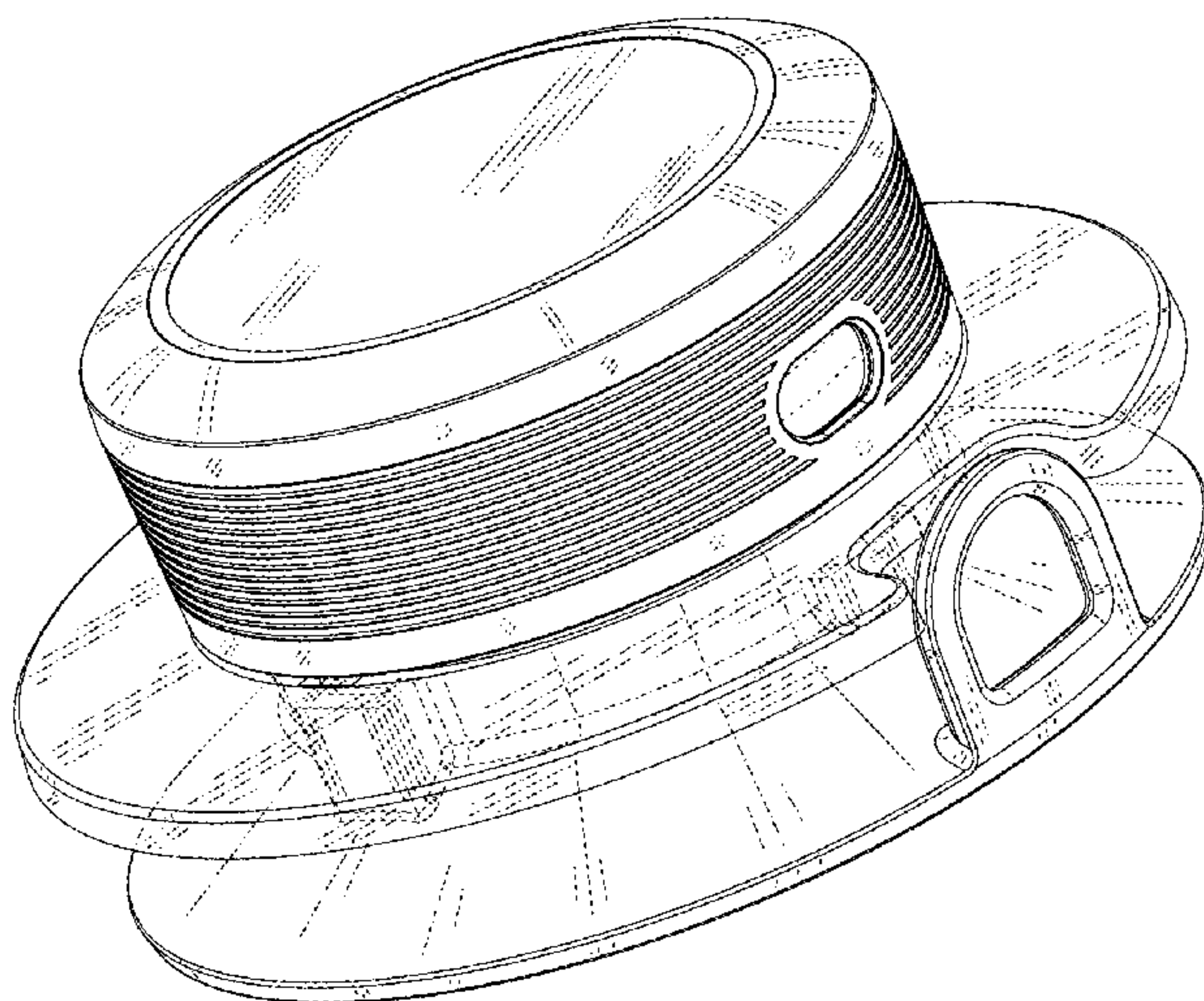
The ornamental design for a suction device, as shown and described.

DESCRIPTION

FIG. 1 is a front perspective view of our suction device;
FIG. 2 is the top view thereof;
FIG. 3 is the bottom view thereof;
FIG. 4 is the right side view thereof;
FIG. 5 is the left side view thereof;
FIG. 6 is the rear view thereof; and,
FIG. 7 is the front view thereof.

The details shown in broken lines form no part of the claimed design.

1 Claim, 7 Drawing Sheets



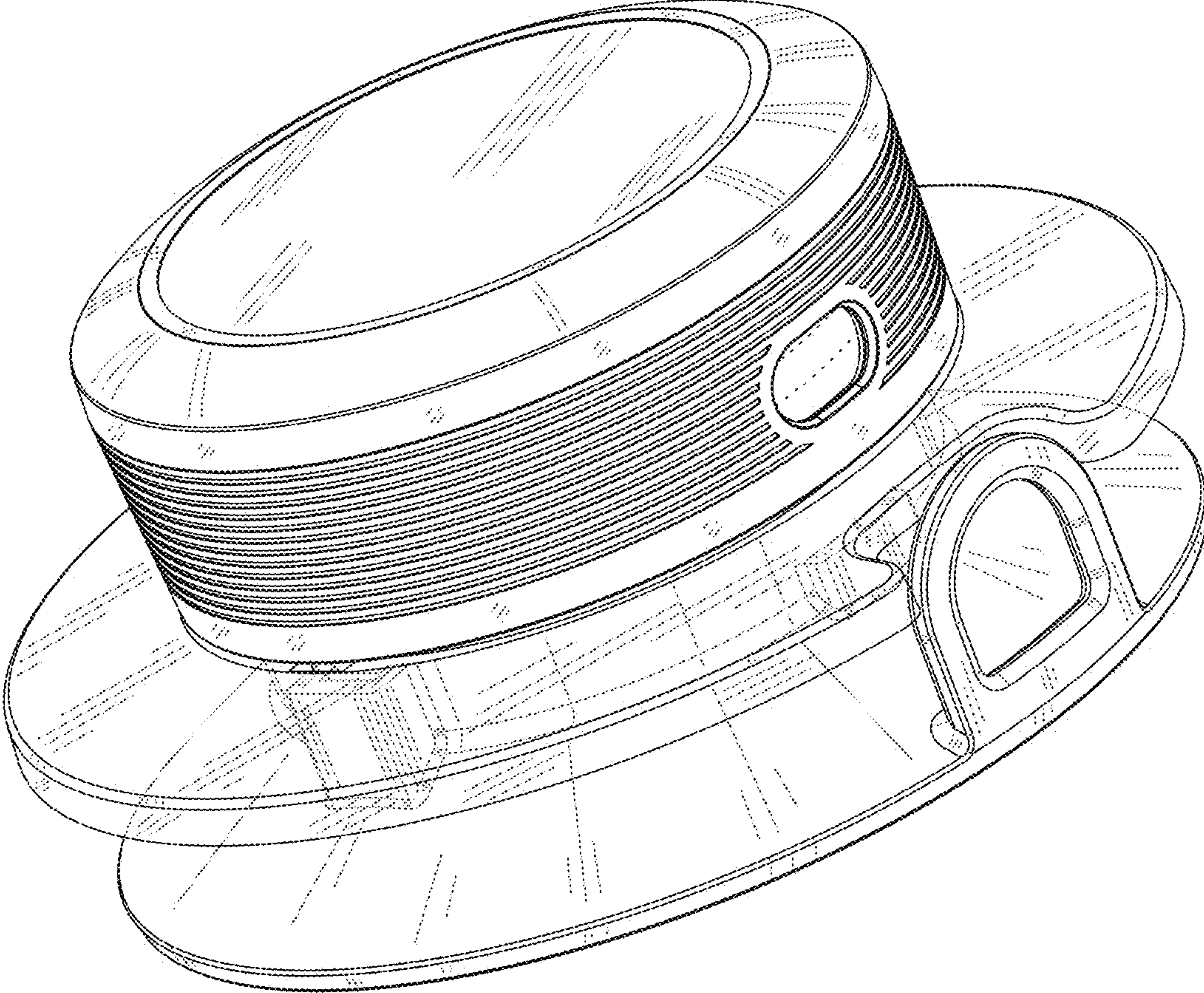


FIG. 1

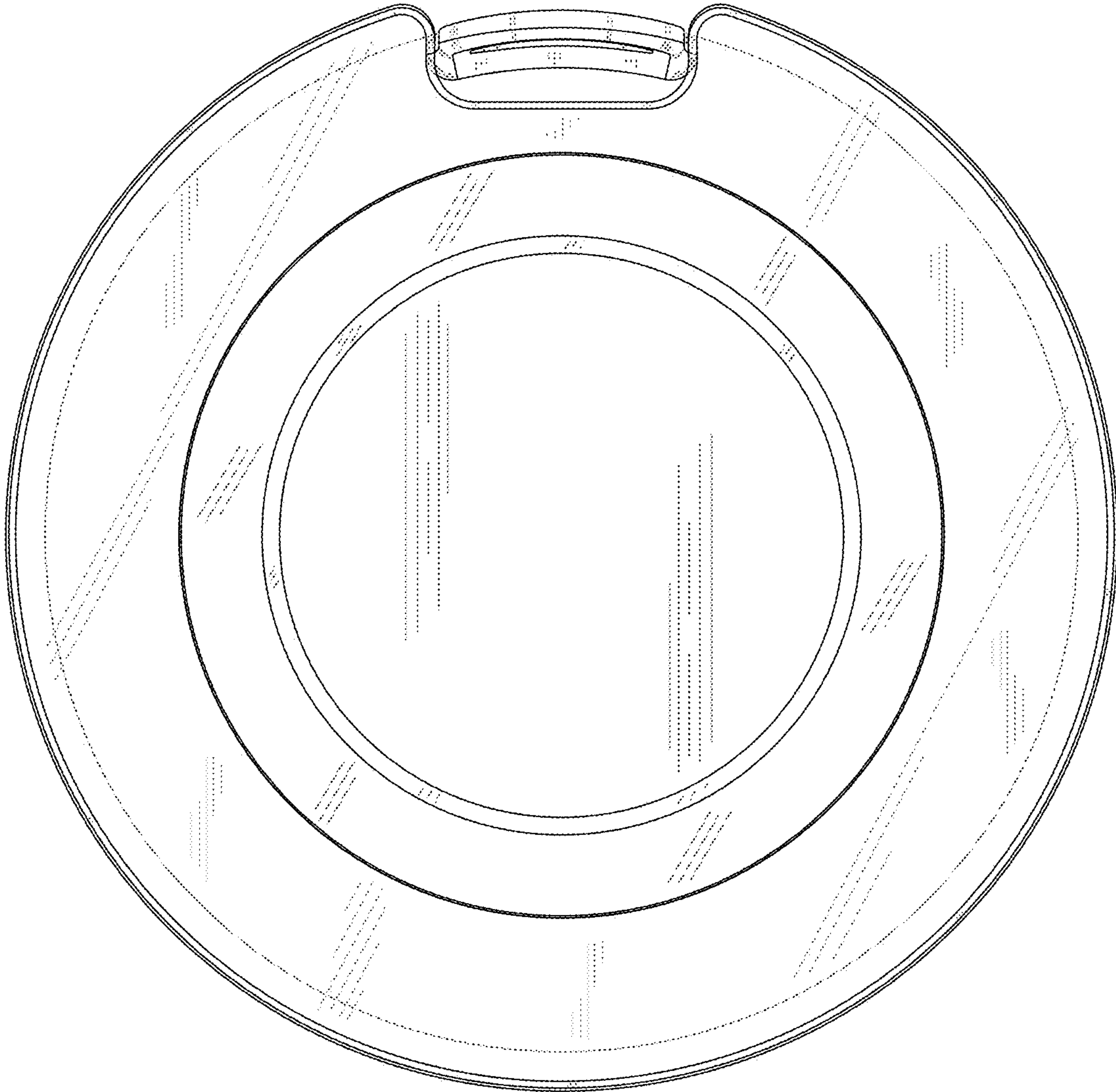


FIG.2

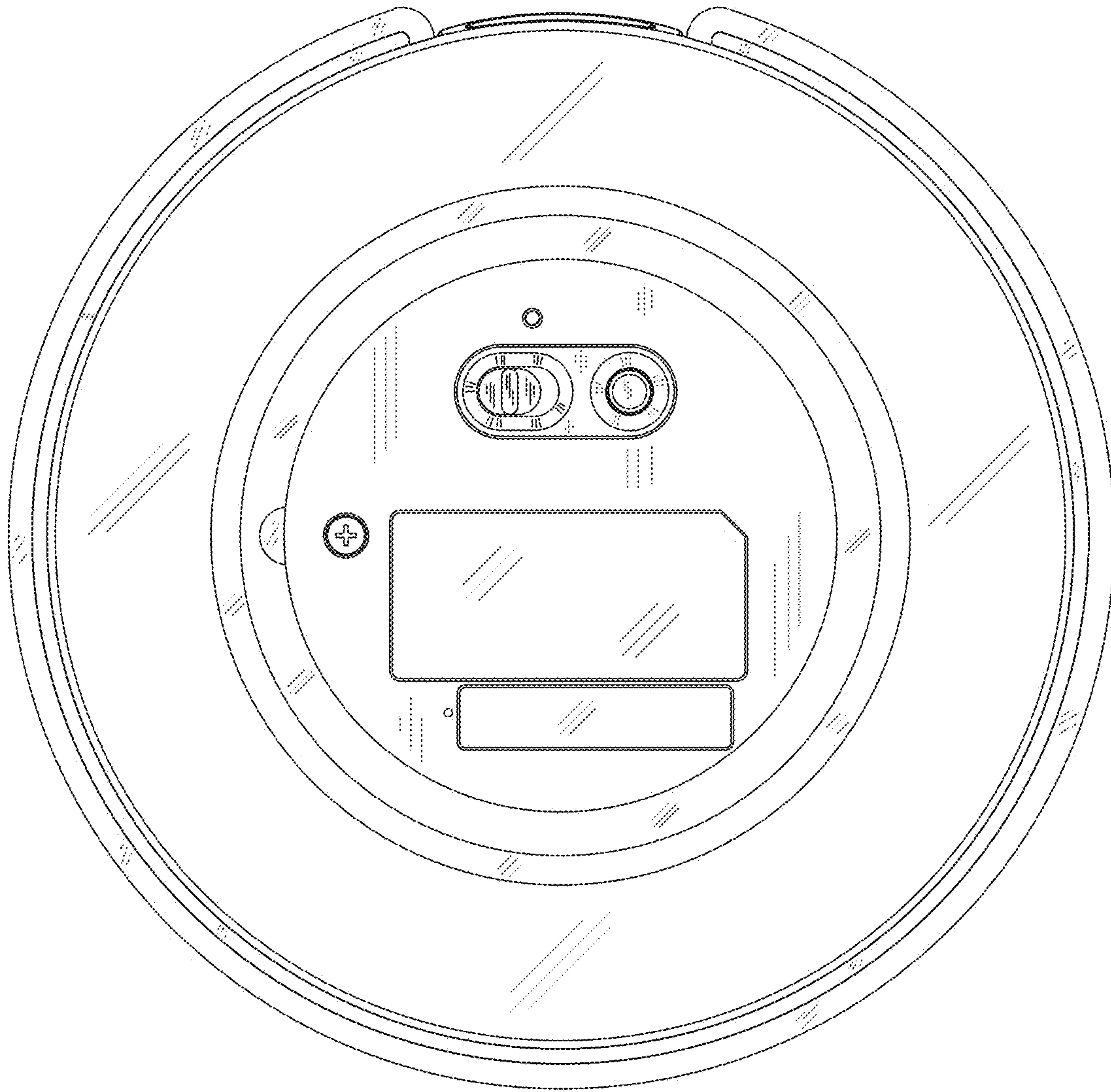


FIG.3

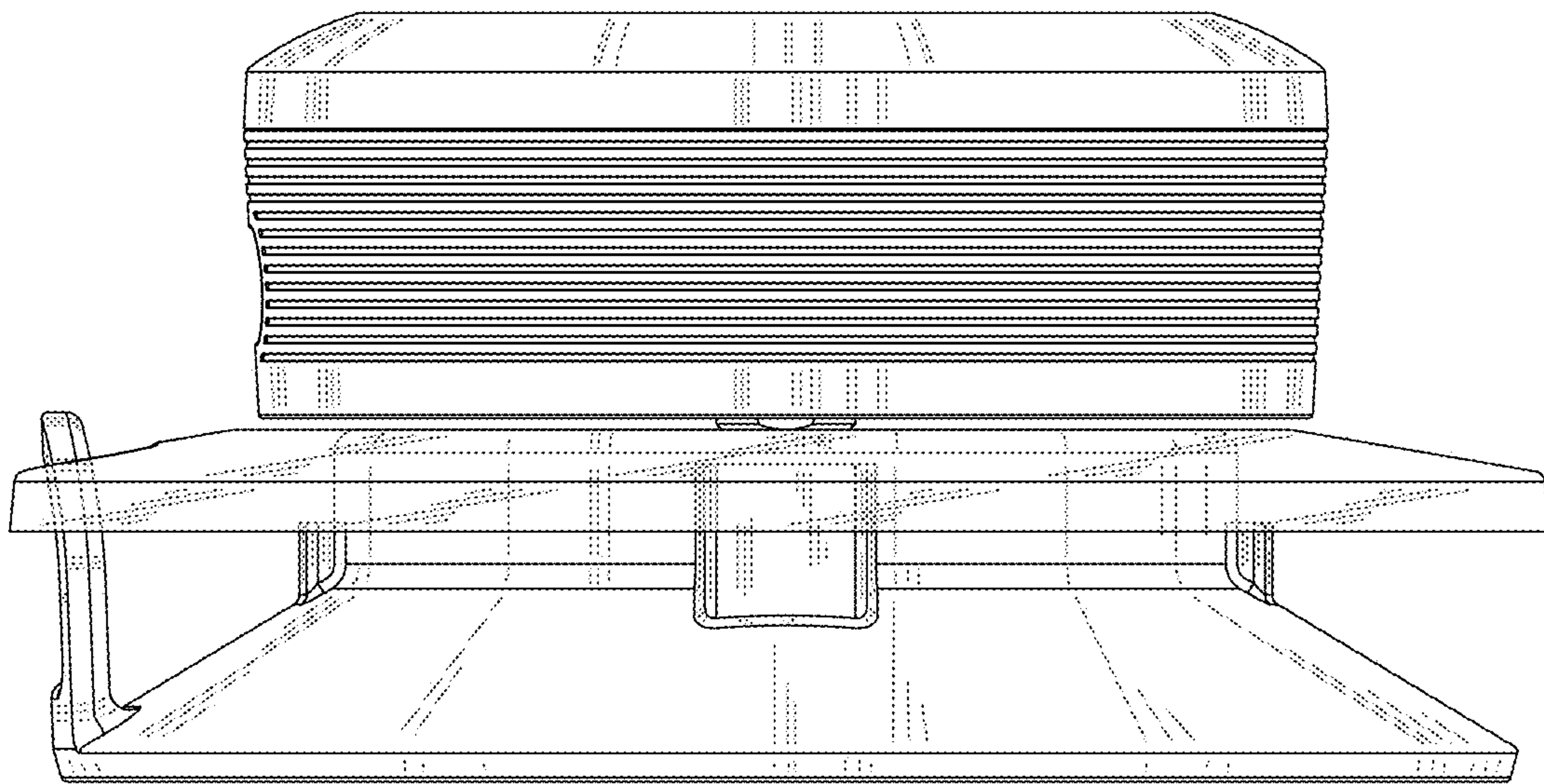


FIG.4

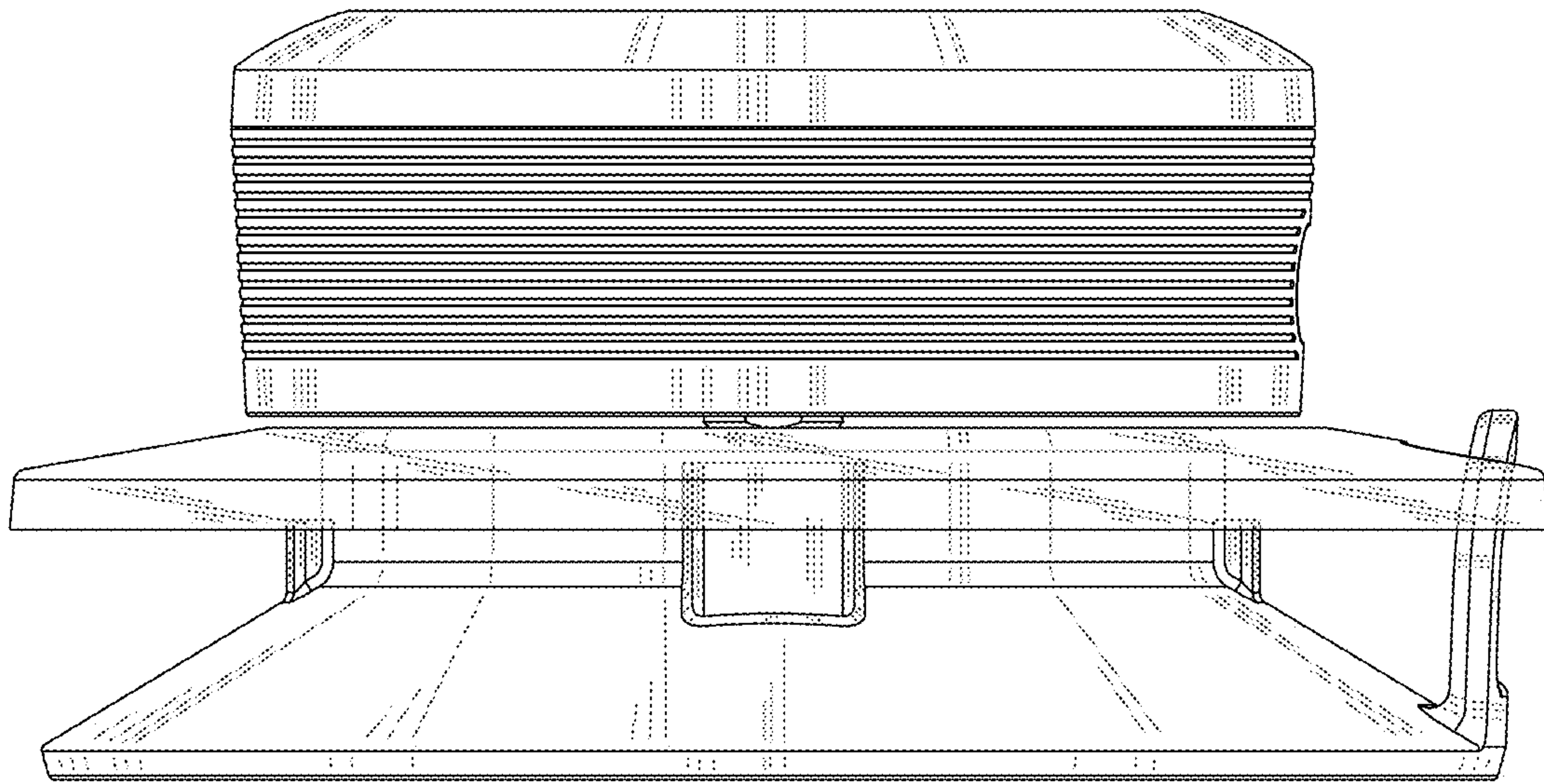


FIG. 5

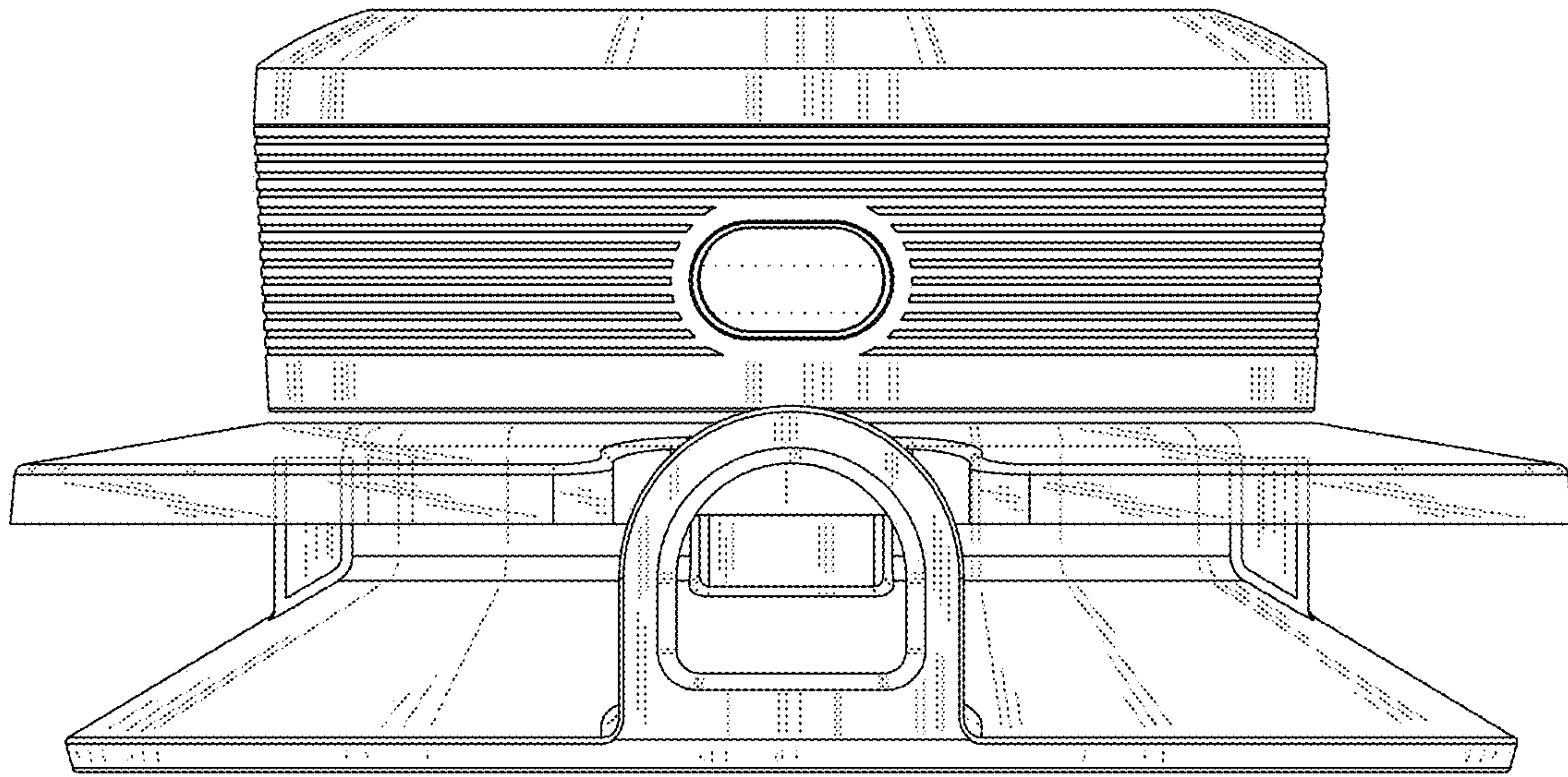


FIG.6

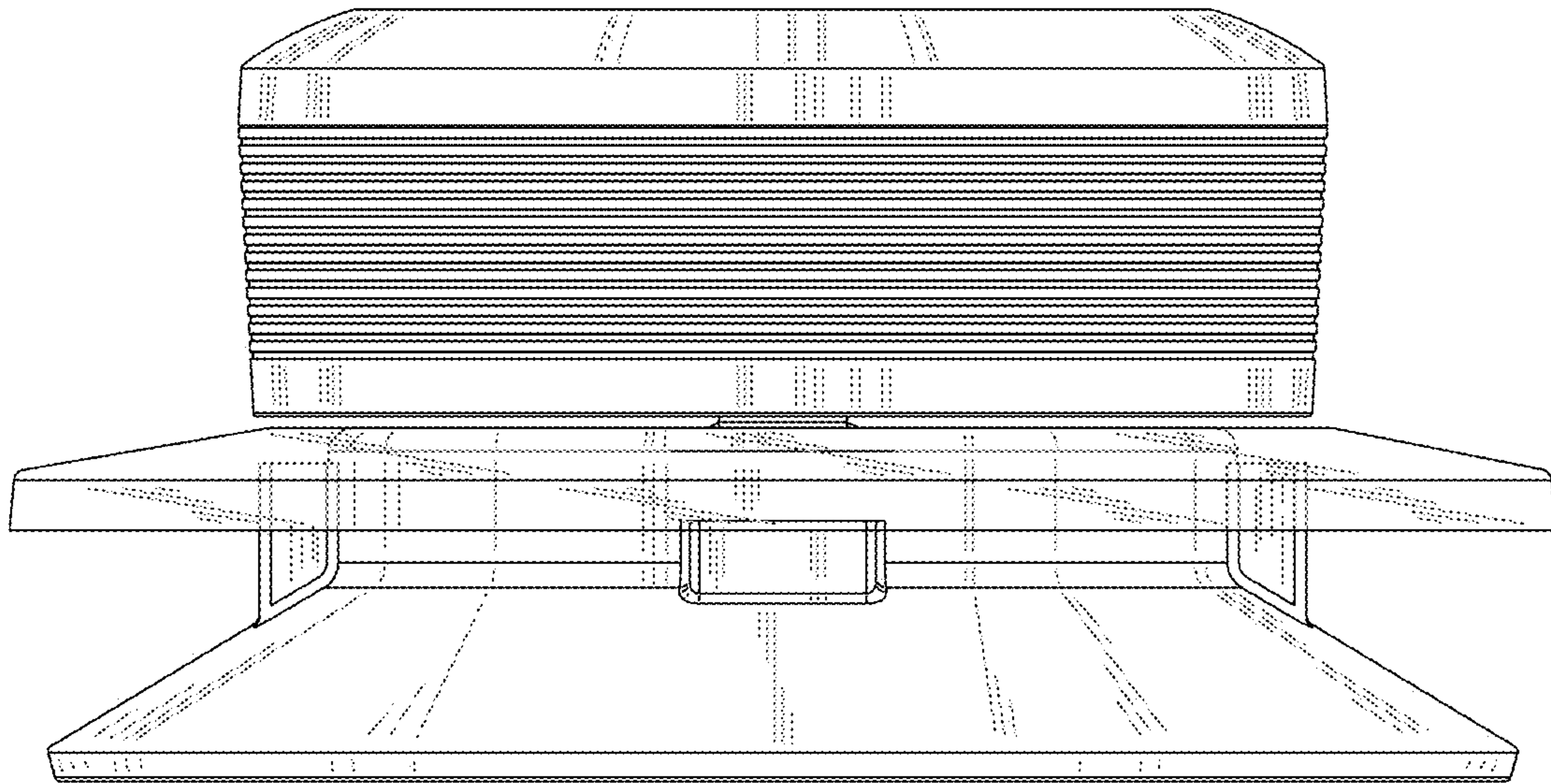


FIG.7