



US00D883594S

(12) **United States Design Patent** (10) **Patent No.:** **US D883,594 S**  
**Lee et al.** (45) **Date of Patent:** **\*\* May 5, 2020**

(54) **DOOR FOR WASHING MACHINE**

D796,130 S \* 8/2017 Ha ..... D32/25  
D827,957 S \* 9/2018 Lee ..... D32/25  
D827,958 S \* 9/2018 Lee ..... D32/25

(71) Applicant: **SAMSUNG ELECTRONICS CO., LTD.**, Suwon-si, Gyeonggi-do (KR)

(Continued)

(72) Inventors: **Daekyun Lee**, Suwon-si (KR);  
**Hwayong Shin**, Anyang-si (KR)

FOREIGN PATENT DOCUMENTS

KR 300830705 S 12/2015  
KR 300844983 S 3/2016

(Continued)

(73) Assignee: **SAMSUNG ELECTRONICS CO., LTD.**, Gyeonggi-Do (KR)

*Primary Examiner* — Michelle E. Wilson

(\*\*) Term: **15 Years**

(74) *Attorney, Agent, or Firm* — Cantor Colburn LLP

(21) Appl. No.: **29/648,665**

(57) **CLAIM**

The ornamental design for a door for washing machine, as shown and described.

(22) Filed: **May 23, 2018**

**DESCRIPTION**

(30) **Foreign Application Priority Data**

Nov. 24, 2017 (KR) ..... 30-2017-0055371

(51) **LOC (12) Cl.** ..... **15-05**

(52) **U.S. Cl.**  
USPC ..... **D32/25**

(58) **Field of Classification Search**  
USPC ..... D32/1, 5, 6, 8, 10, 25, 28  
CPC ..... D06F 3/02; D06F 2204/065; D06F 25/00;  
D06F 35/006; D06F 37/28; D06F 39/14;  
D06F 58/00; D06F 58/02; D06F 58/04;  
D06F 58/20; D06F 23/04; G05B 19/042  
See application file for complete search history.

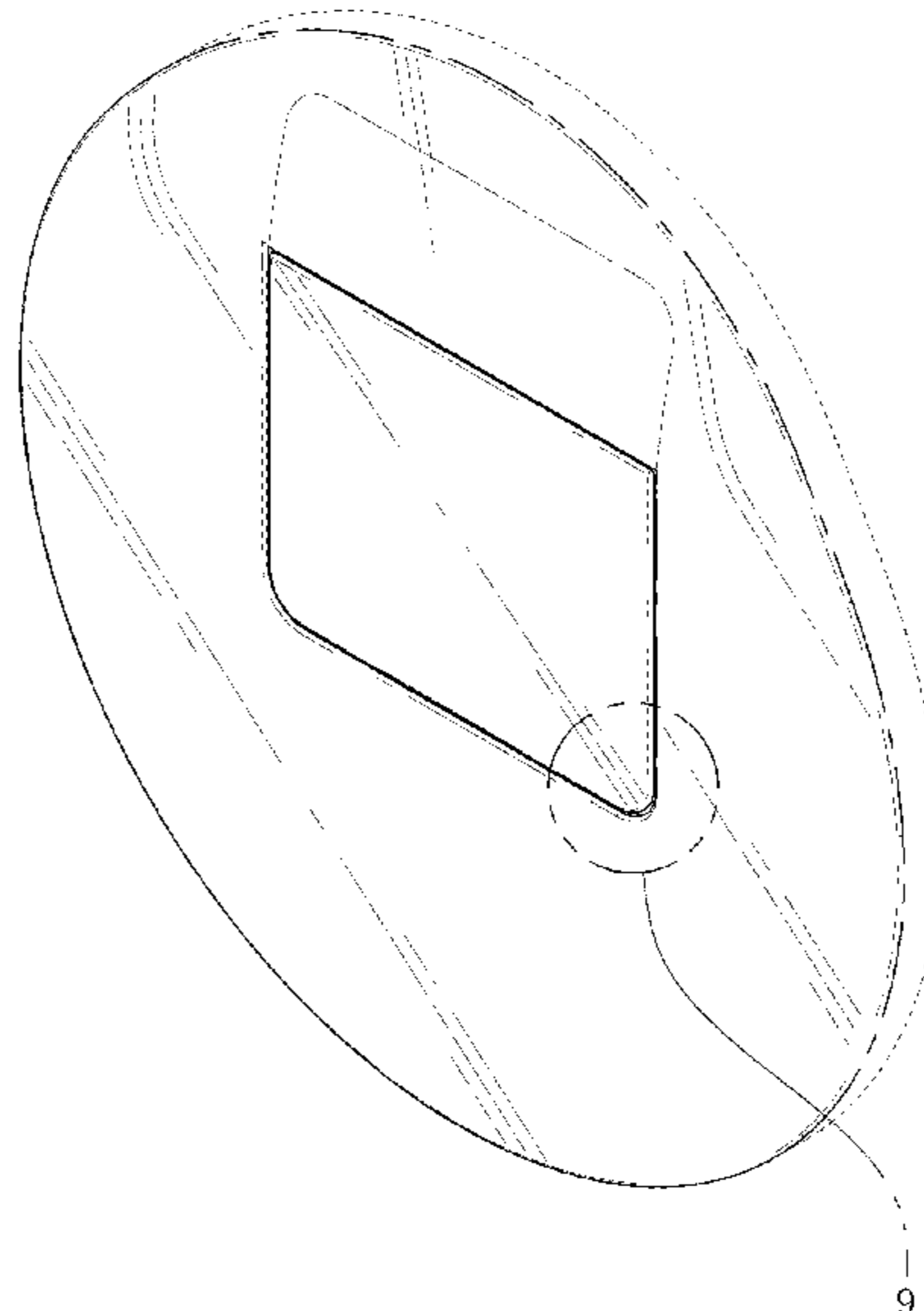
FIG. 1 is a front perspective view of a door for washing machine, showing our new design; FIG. 2 is a front view thereof; FIG. 3 is a rear view thereof; FIG. 4 is a left side view thereof; FIG. 5 is a right side view thereof; FIG. 6 is a top view thereof; and FIG. 7 is a bottom view thereof. FIG. 8 is a rear perspective view thereof; FIG. 9 is an enlarged view of the encircled portion 9 in FIG. 1; FIG. 10 is an enlarged view of the encircled portion 10 in FIG. 8; and, FIG. 11 is another front perspective view thereof in an alternate configuration; The even-dash broken lines illustrating portions of the door for washing machine form no part of the claimed design. The dot-dash broken lines in the figures illustrate a boundary of the claimed design and form no part of the claimed design. The dot-dot-dash broken lines encircling enlargement portions of the claimed design form no part of the claimed design.

(56) **References Cited**

U.S. PATENT DOCUMENTS

D582,107 S \* 12/2008 Ha ..... D32/6  
D630,807 S \* 1/2011 Song ..... D32/6  
D689,655 S \* 9/2013 Chung ..... D32/25  
D698,508 S \* 1/2014 Cho ..... D32/25  
D759,913 S \* 6/2016 Jeon ..... D32/25  
D760,456 S \* 6/2016 Jeon ..... D32/25  
D772,498 S 11/2016 Lee  
D772,503 S \* 11/2016 Yun ..... D32/25

**1 Claim, 11 Drawing Sheets**



(56)

**References Cited**

U.S. PATENT DOCUMENTS

D831,912 S	*	10/2018	Ha	.....	D32/25
D831,913 S	*	10/2018	Ha	.....	D32/25
D831,914 S	*	10/2018	Ha	.....	D32/25
D831,916 S	*	10/2018	Ha	.....	D32/25
D831,917 S	*	10/2018	Ha	.....	D32/25

FOREIGN PATENT DOCUMENTS

KR	300851960	S	4/2016
KR	300815761	S	8/2016

\* cited by examiner

FIG. 1

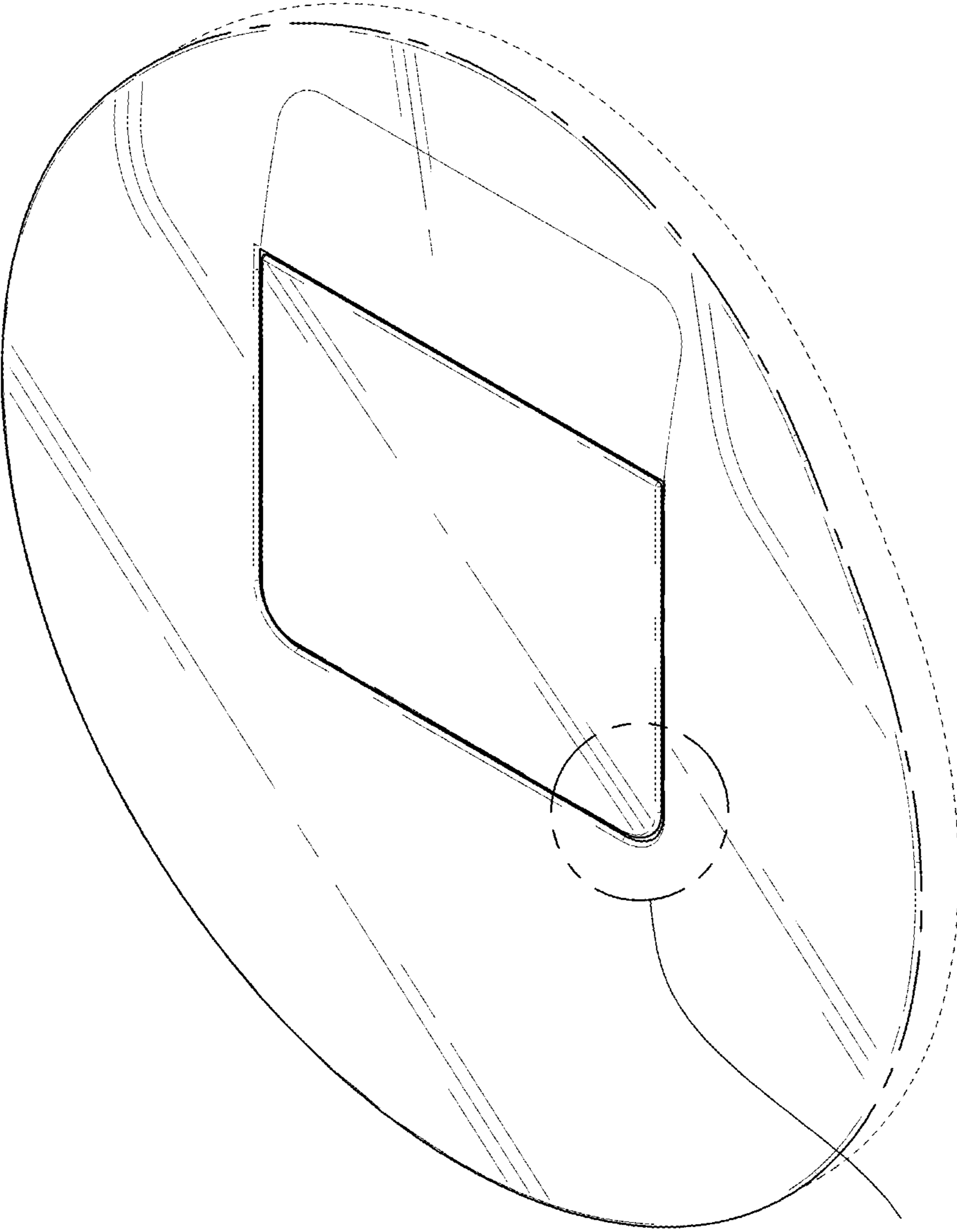


FIG. 2

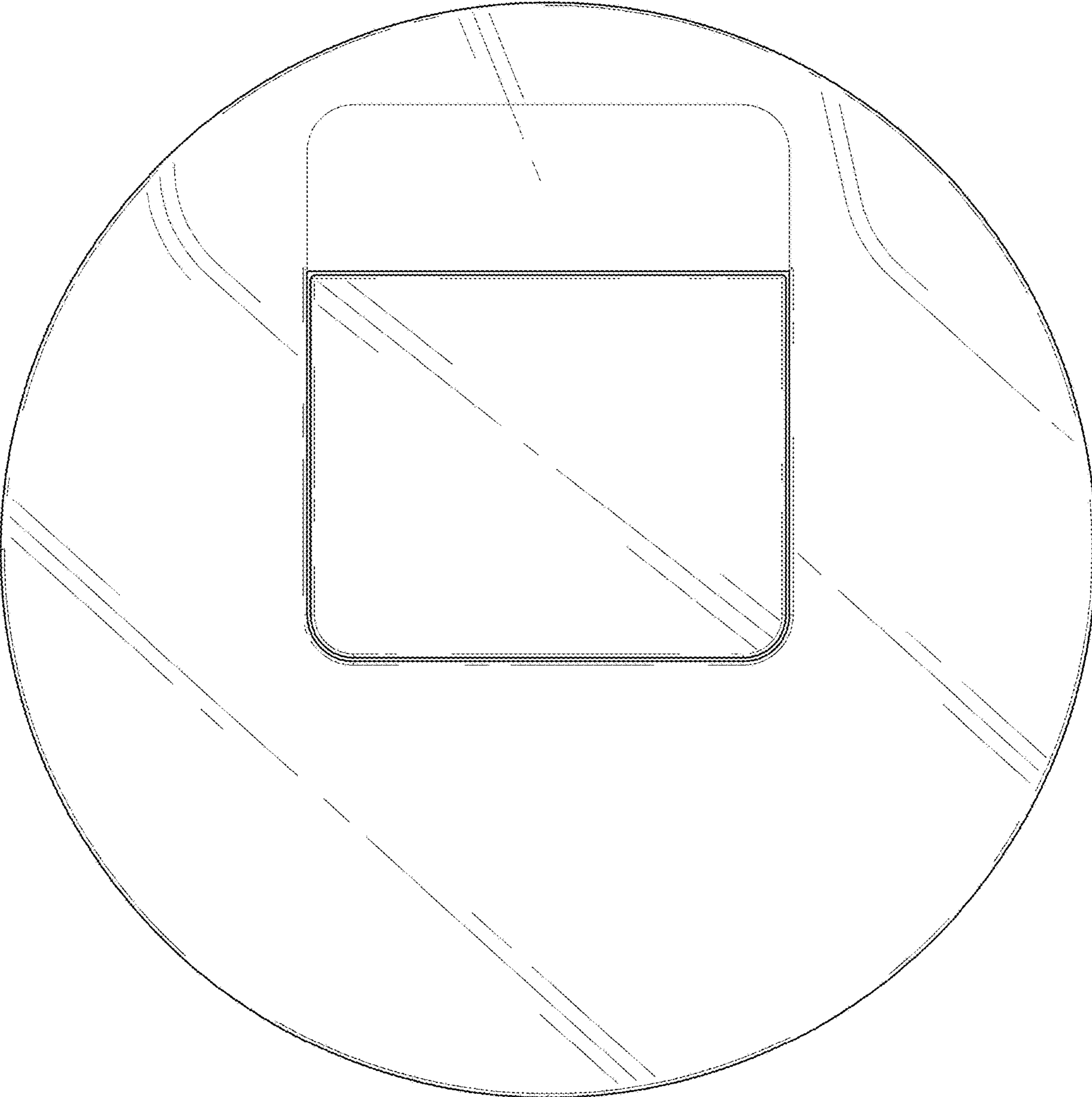


FIG. 3

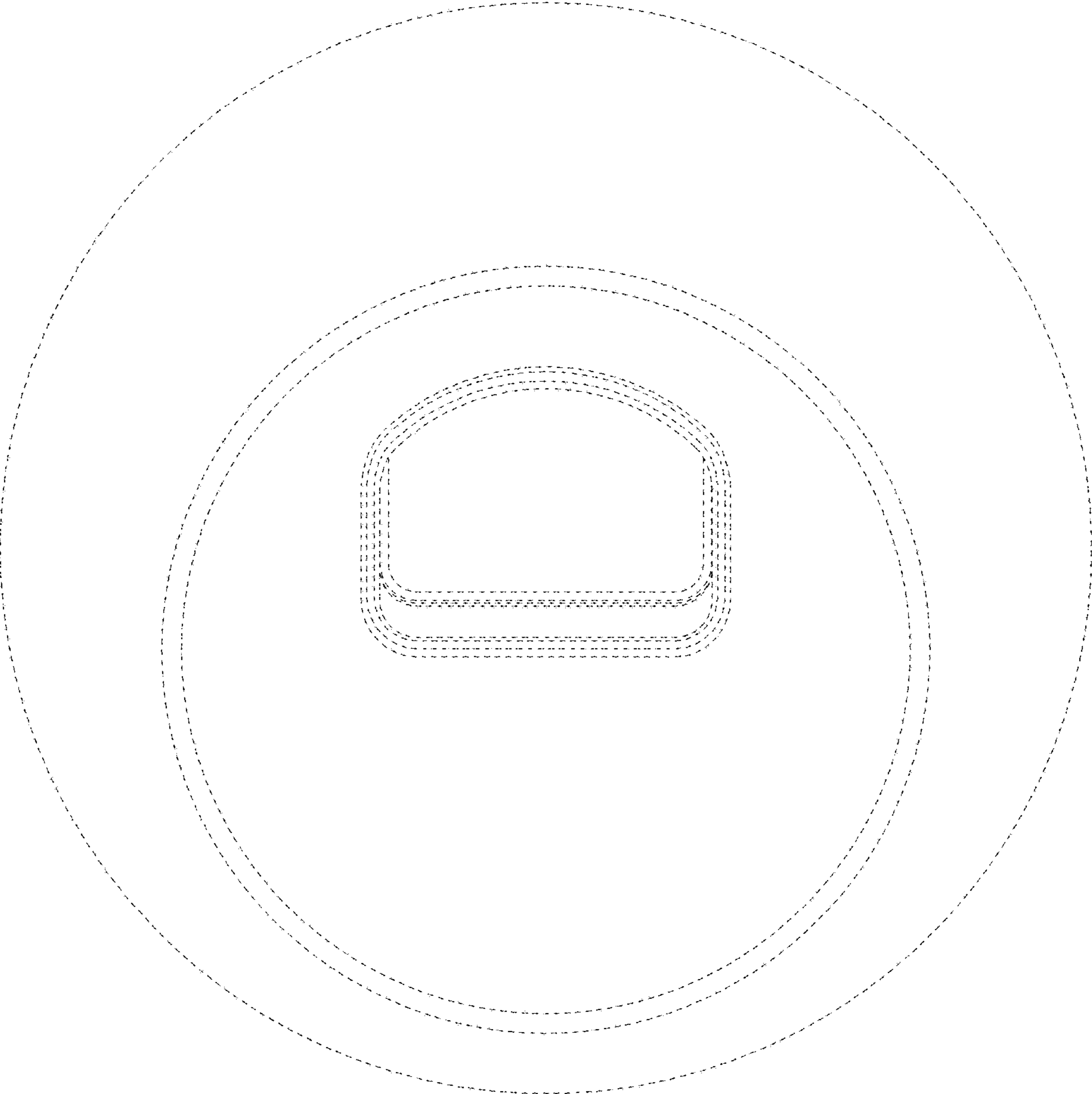


FIG. 4

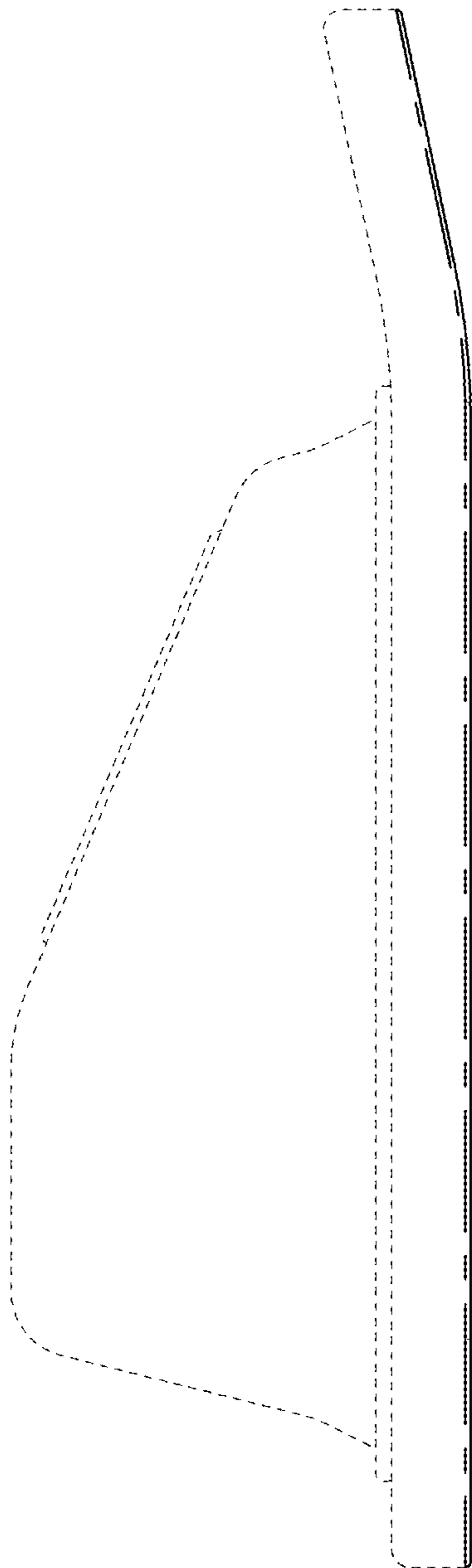


FIG. 5

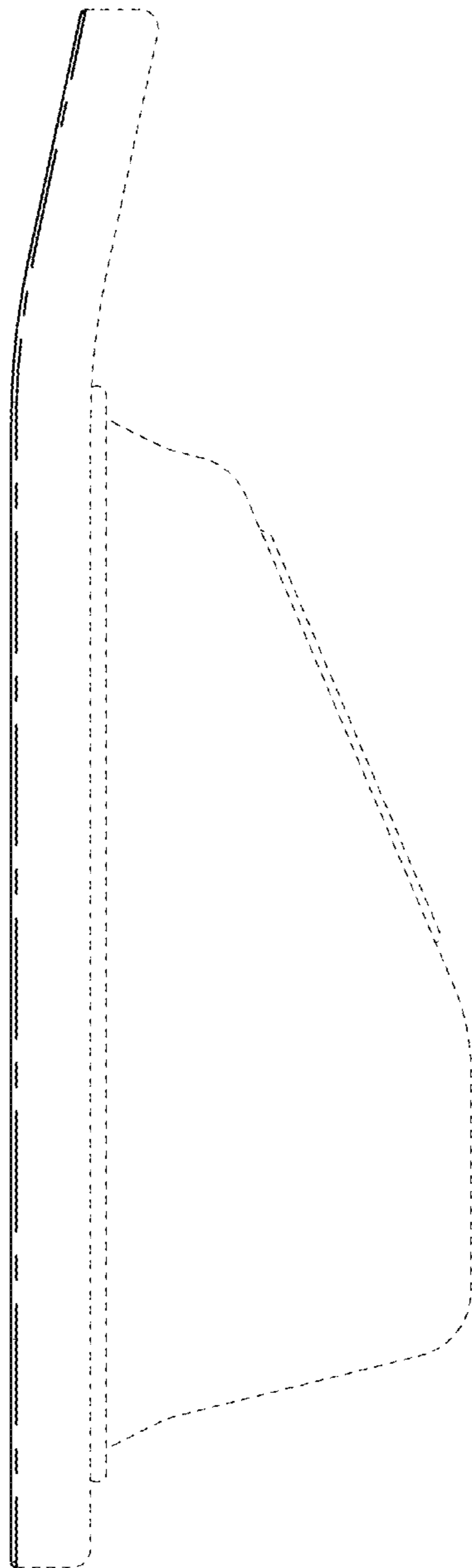


FIG. 6

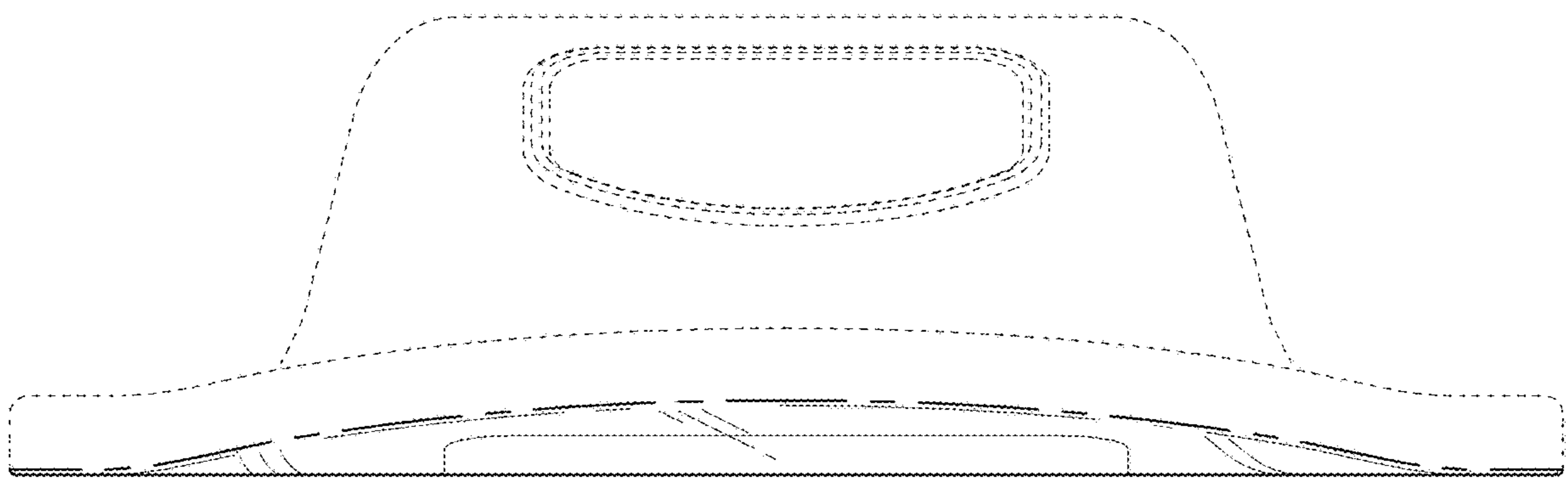




FIG. 7

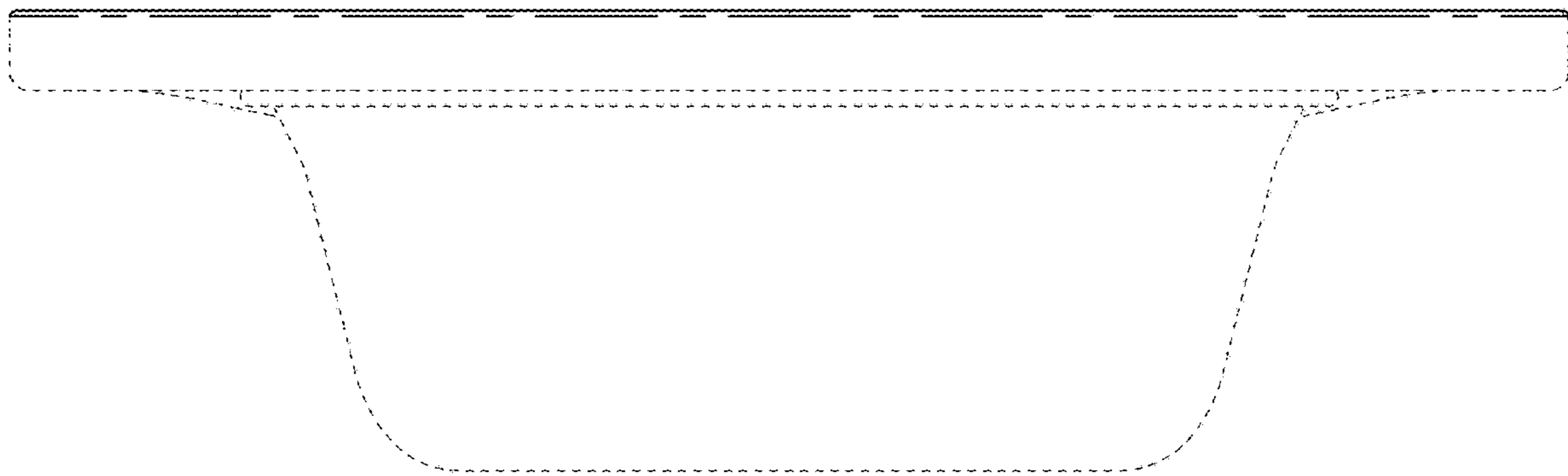


FIG. 8

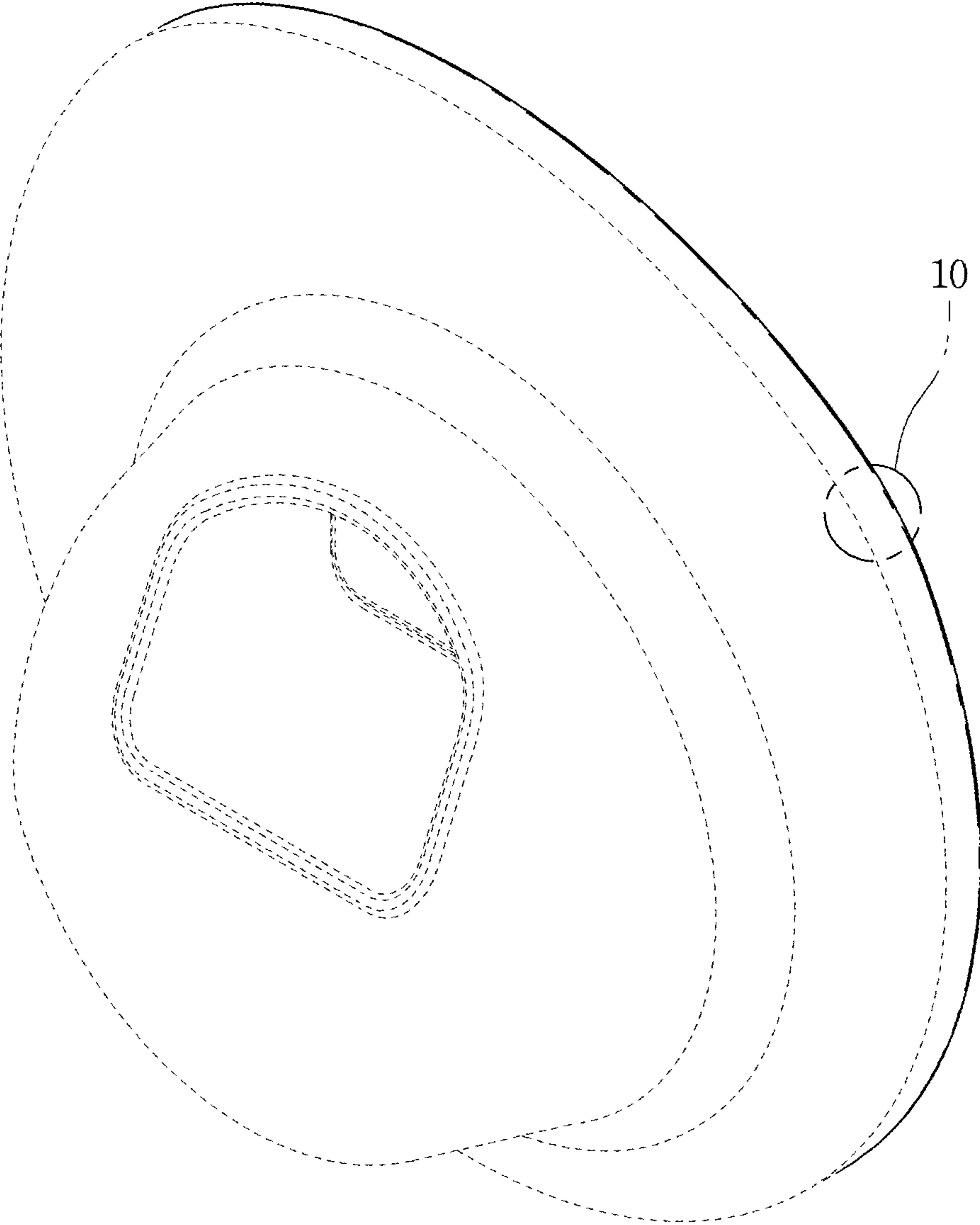


FIG. 9

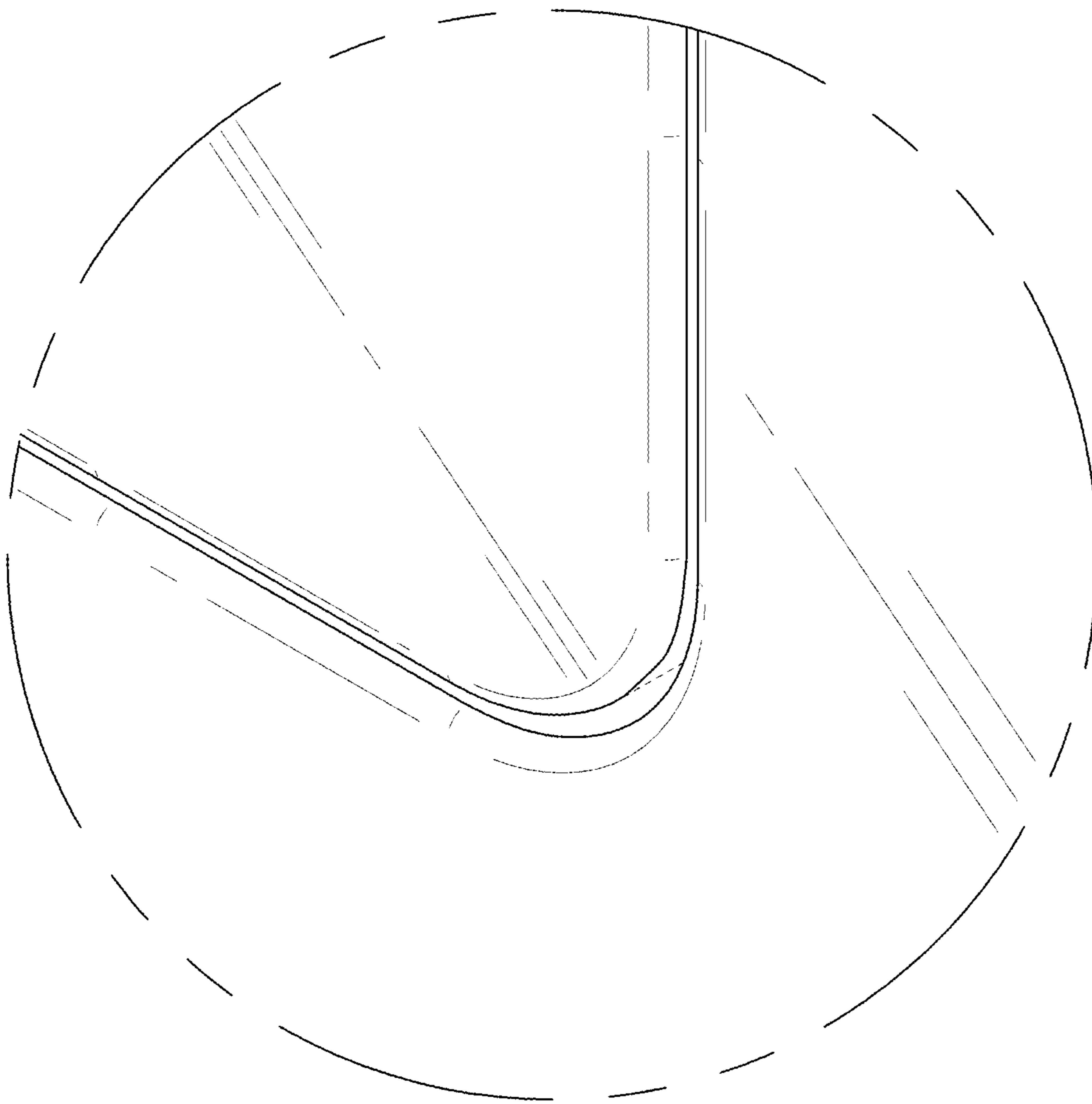


FIG. 10

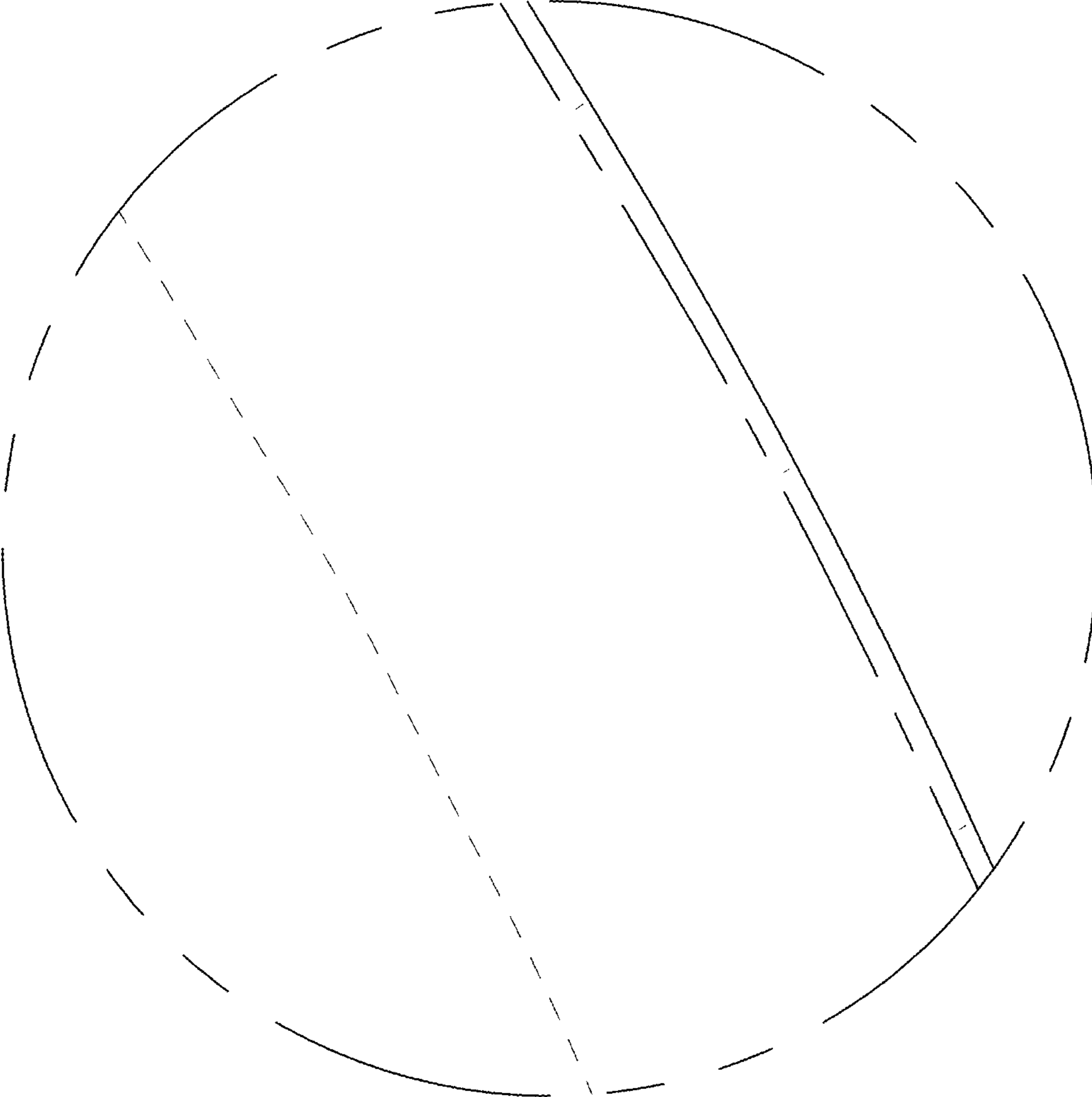


FIG. 11

