



US00D883590S

(12) **United States Design Patent** (10) **Patent No.:** **US D883,590 S**
Lee et al. (45) **Date of Patent:** **** May 5, 2020**

(54) **DOOR FOR WASHING MACHINE**

D827,957 S * 9/2018 Lee D32/25
D827,958 S * 9/2018 Lee D32/25
D831,912 S * 10/2018 Ha D32/25

(71) Applicant: **Samsung Electronics Co., Ltd.**,
Suwon-si (KR)

(Continued)

(72) Inventors: **Daekyun Lee**, Suwon-si (KR);
Hwayong Shin, Anyang-si (KR)

FOREIGN PATENT DOCUMENTS

DM 092477 9/2016
KR 300702712 S 7/2013

(Continued)

(73) Assignee: **SAMSUNG ELECTRONICS CO., LTD.**, Gyeonggi-Do (KR)

Primary Examiner — Michelle E. Wilson

(74) *Attorney, Agent, or Firm* — Cantor Colburn LLP

(**) Term: **15 Years**

(57) **CLAIM**

(21) Appl. No.: **29/637,525**

The ornamental design for a door for washing machine, as shown and described.

(22) Filed: **Feb. 20, 2018**

DESCRIPTION

(30) **Foreign Application Priority Data**

Nov. 24, 2017 (KR) 30-2017-0055372

(51) **LOC (12) Cl.** **15-05**

(52) **U.S. Cl.**
USPC **D32/25**

(58) **Field of Classification Search**
USPC D32/1, 5, 6, 8, 10, 25, 28
CPC D06F 3/02; D06F 2204/065; D06F 25/00;
D06F 35/006; D06F 37/28; D06F 39/14;
D06F 58/00; D06F 58/02; D06F 58/04;
D06F 58/20; D06F 23/04; G05B 19/042
See application file for complete search history.

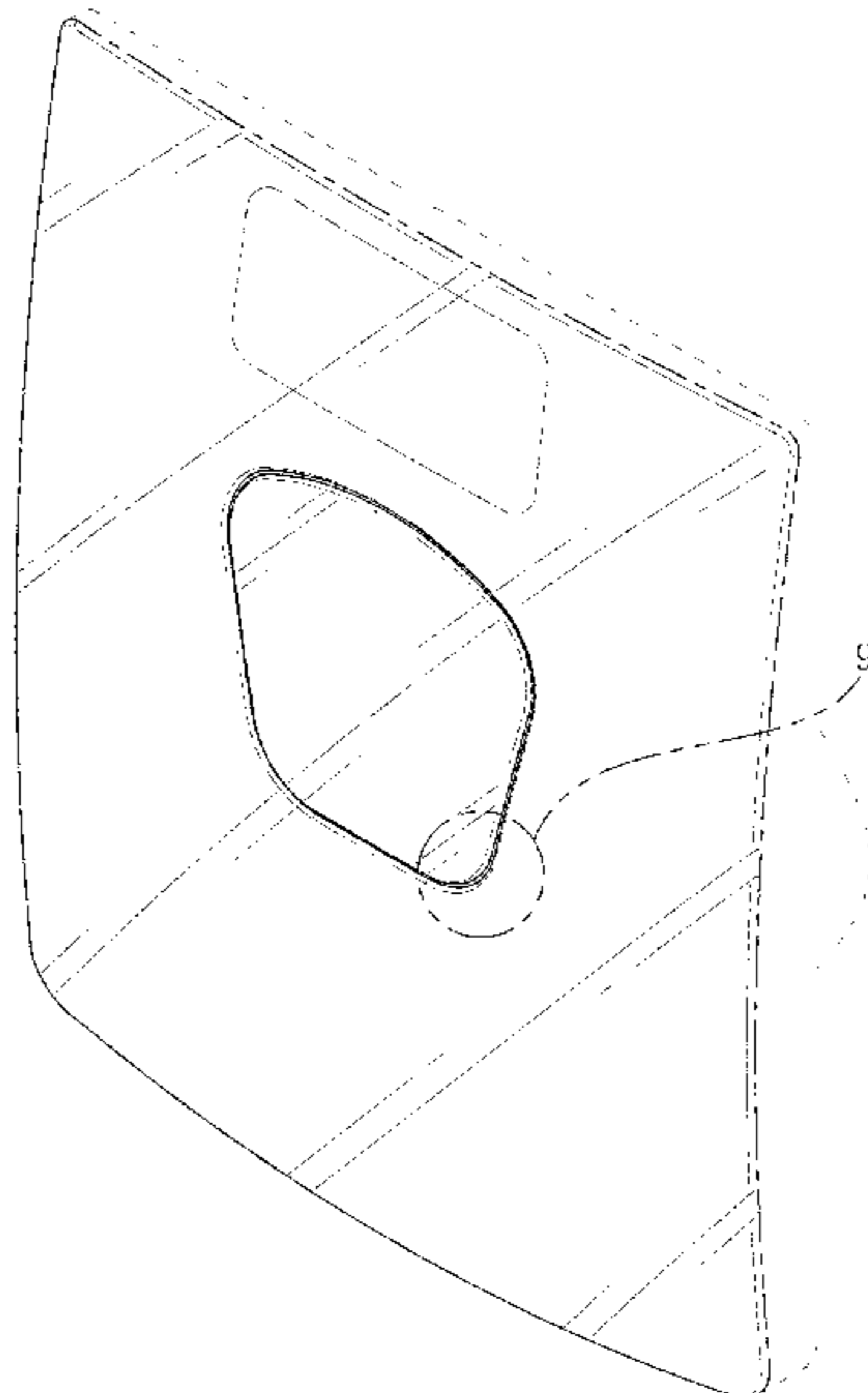
FIG. 1 is a front perspective view of a door for washing machine, showing our new design; FIG. 2 is a front view thereof; FIG. 3 is a rear view thereof; FIG. 4 is a left side view thereof; FIG. 5 is a right side view thereof; FIG. 6 is a top view thereof; and FIG. 7 is a bottom view thereof. FIG. 8 is a rear perspective view thereof; FIG. 9 is an enlarged view of the encircled portion 9 in FIG. 1; FIG. 10 is an enlarged view of the encircled portion 10 in FIG. 8; and, FIG. 11 is another front perspective view thereof in an alternate position in which an auxiliary door is opened. The even-dash broken lines illustrating portions of the Door for Washing Machine form no part of the claimed design. The dot-dash broken lines in the figures illustrate a boundary of the claimed design and form no part of the claimed design. The dot-dot-dash broken lines encircling enlargement portions of the claimed design form no part of the claimed design.

(56) **References Cited**

U.S. PATENT DOCUMENTS

D582,107 S * 12/2008 Ha D32/6
D630,807 S * 1/2011 Song D32/6
D689,655 S * 9/2013 Chung D32/25
D698,508 S * 1/2014 Cho D32/25
D759,913 S * 6/2016 Jeon D32/25
D760,456 S * 6/2016 Jeon D32/25
D772,503 S * 11/2016 Yun D32/25
D796,130 S * 8/2017 Ha D32/25

1 Claim, 10 Drawing Sheets



(56)

References Cited

U.S. PATENT DOCUMENTS

D831,913 S	*	10/2018	Ha	D32/25
D831,914 S	*	10/2018	Ha	D32/25
D831,916 S	*	10/2018	Ha	D32/25
D831,917 S	*	10/2018	Ha	D32/25

FOREIGN PATENT DOCUMENTS

KR	300815764	S	8/2016
KR	300815766	S	8/2016
KR	300820648	S	10/2016

* cited by examiner

FIG. 1

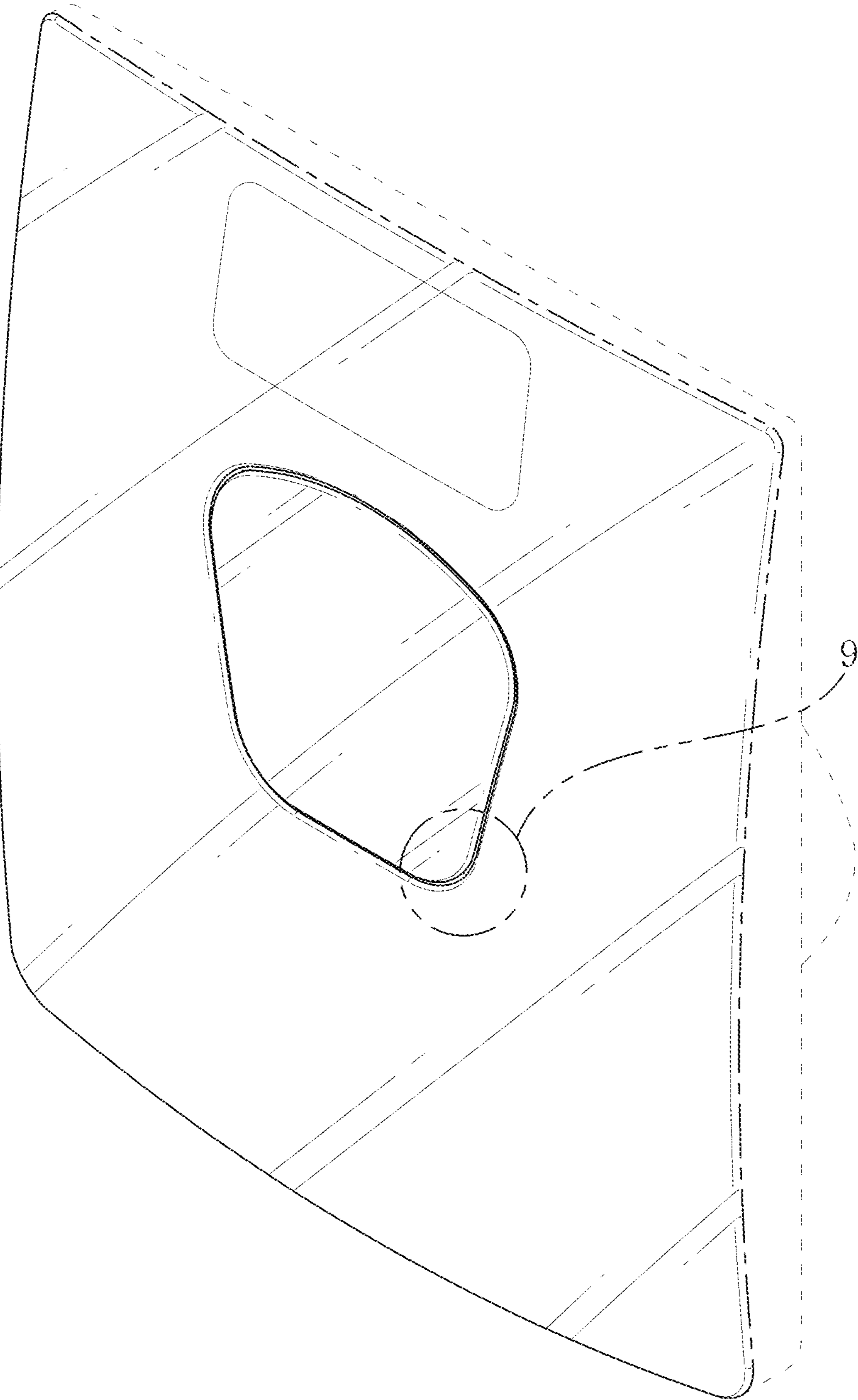


FIG. 2

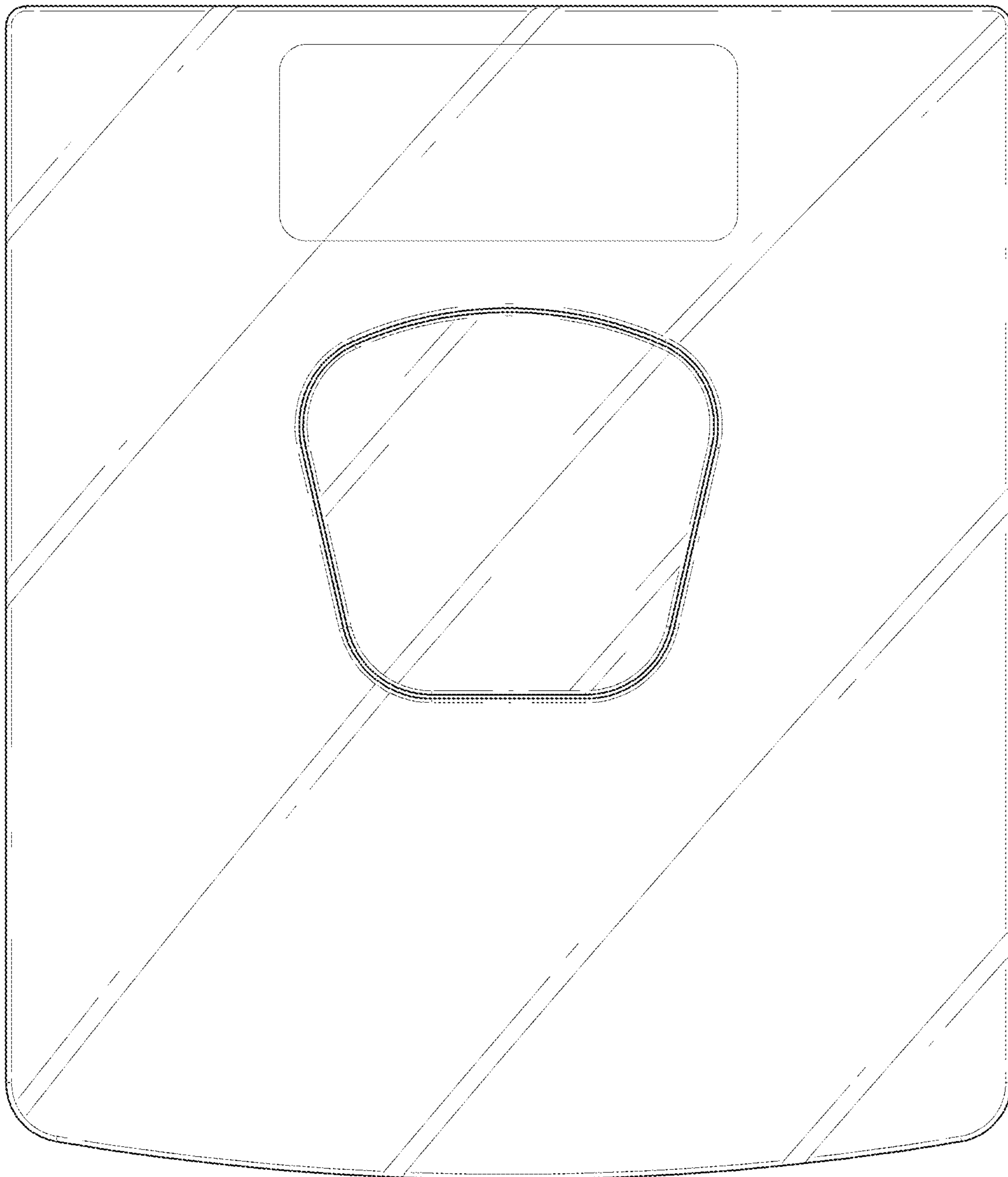


FIG. 3

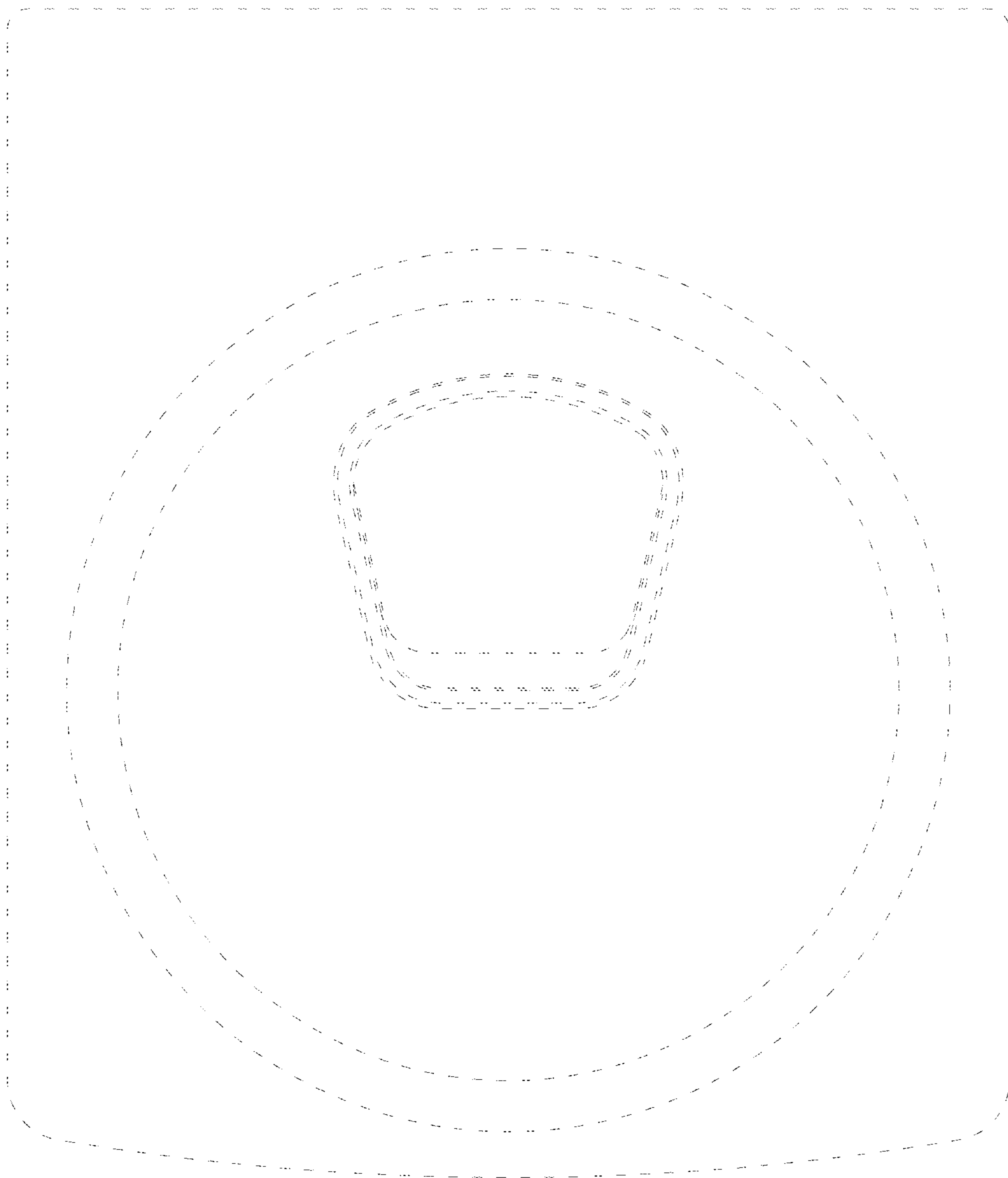


FIG. 4

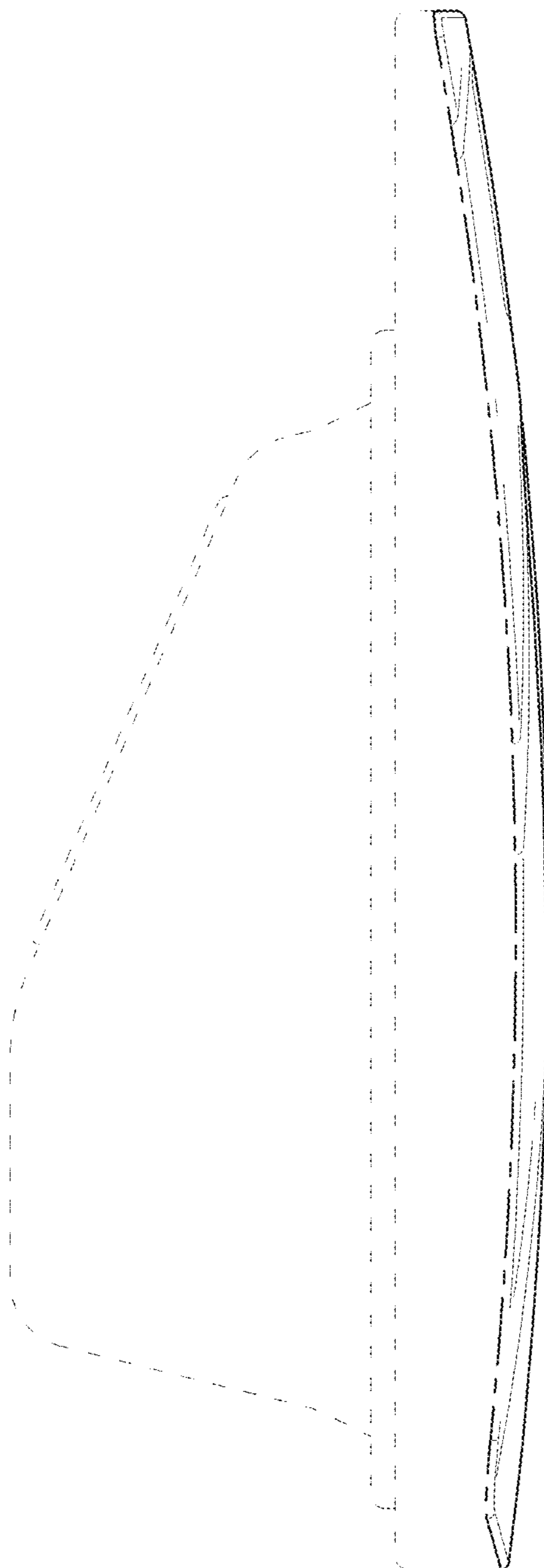


FIG. 5

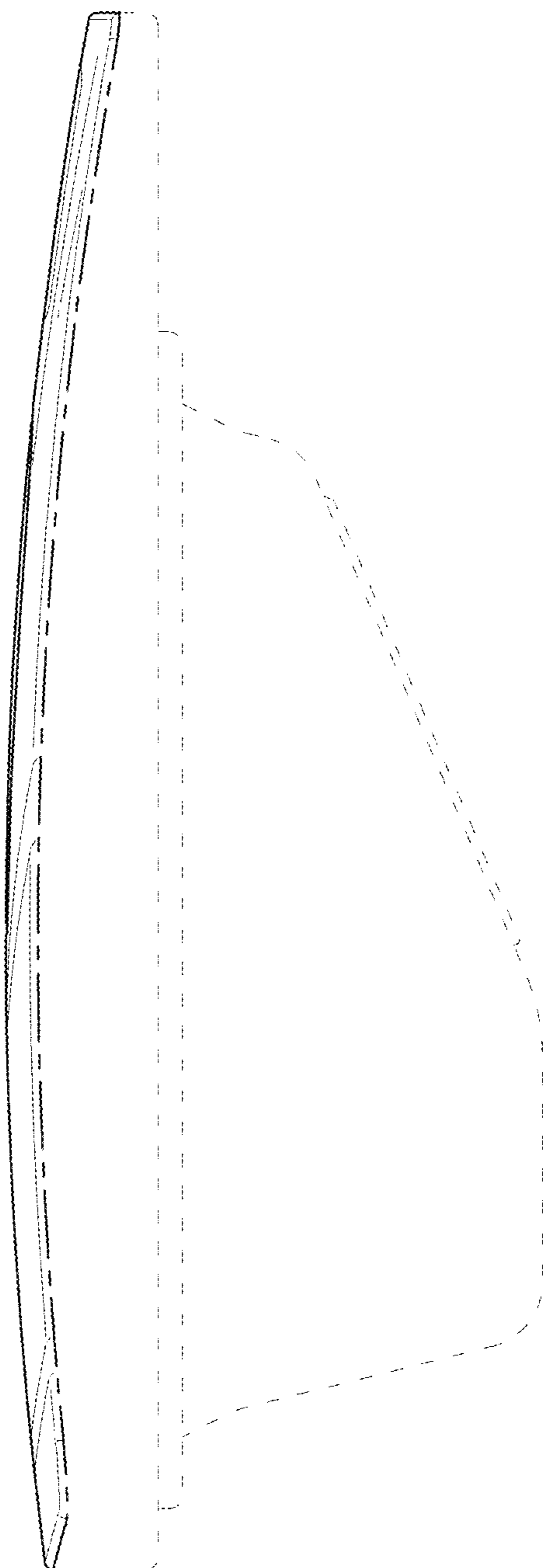


FIG. 6

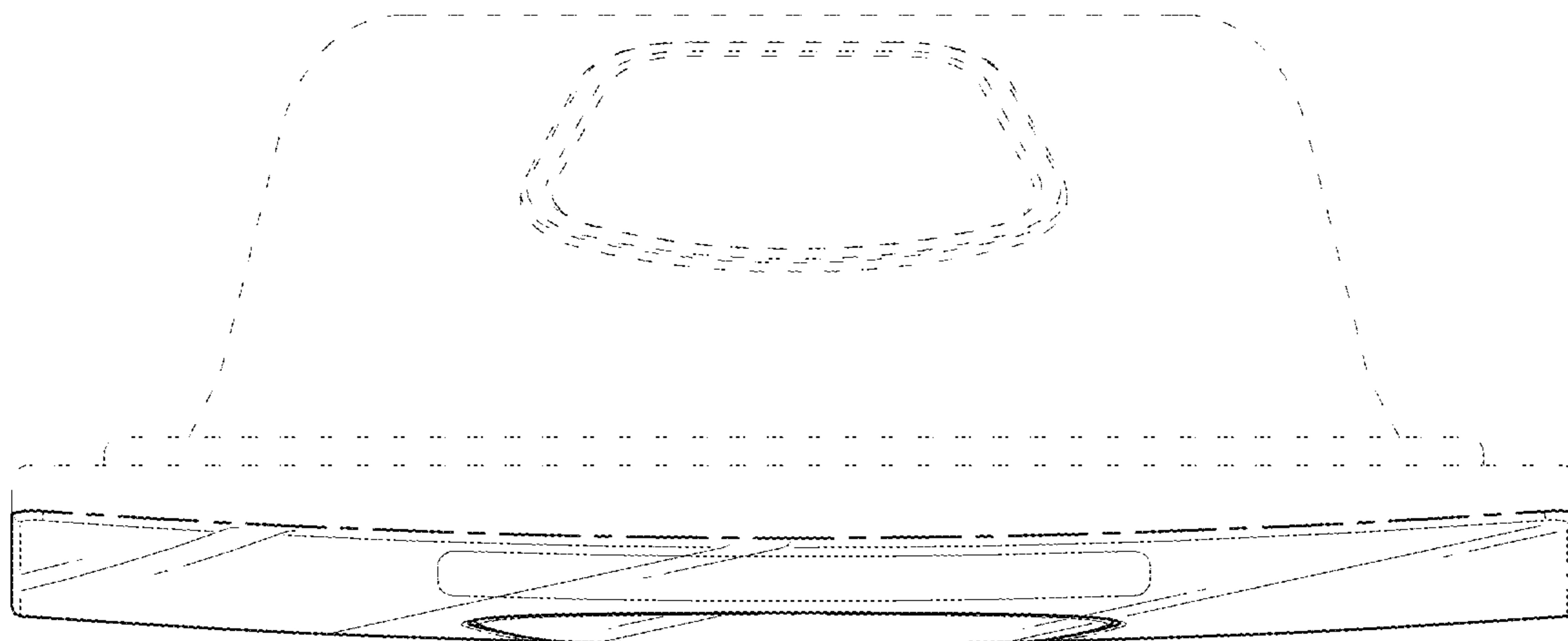


FIG. 7

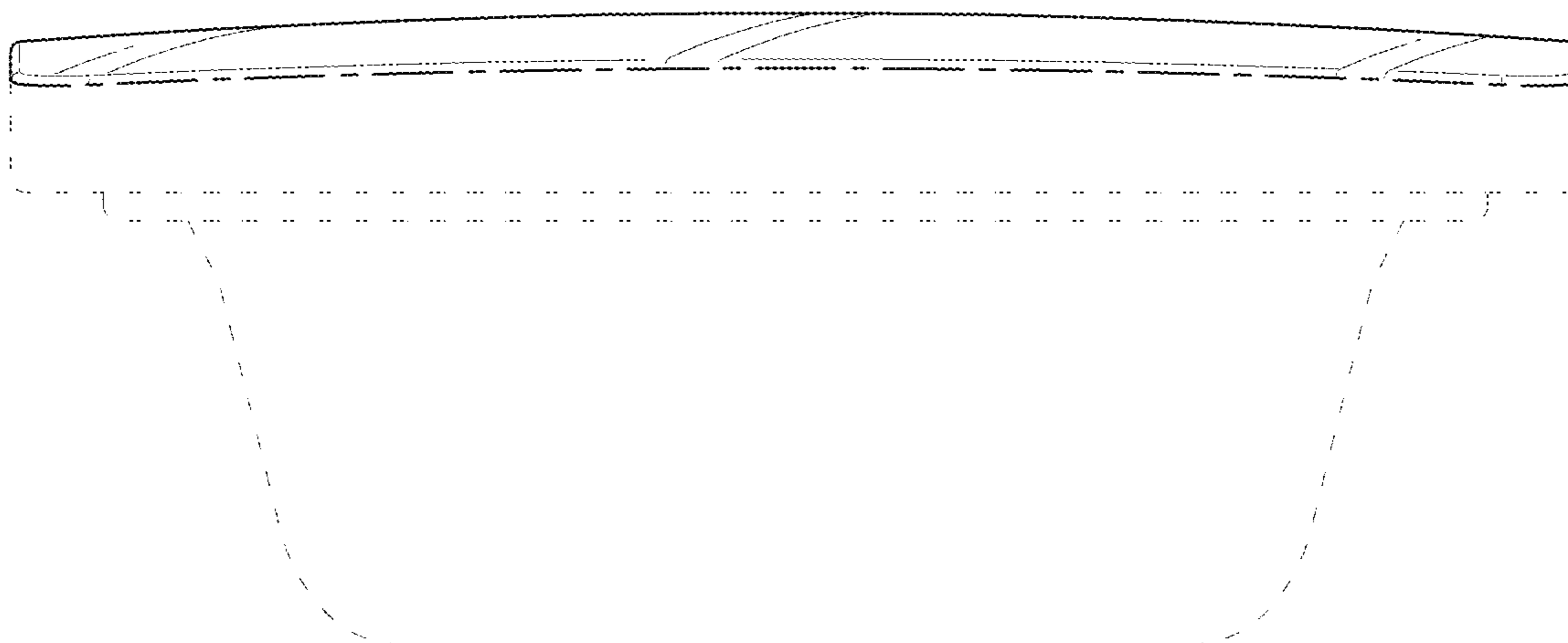


FIG. 8

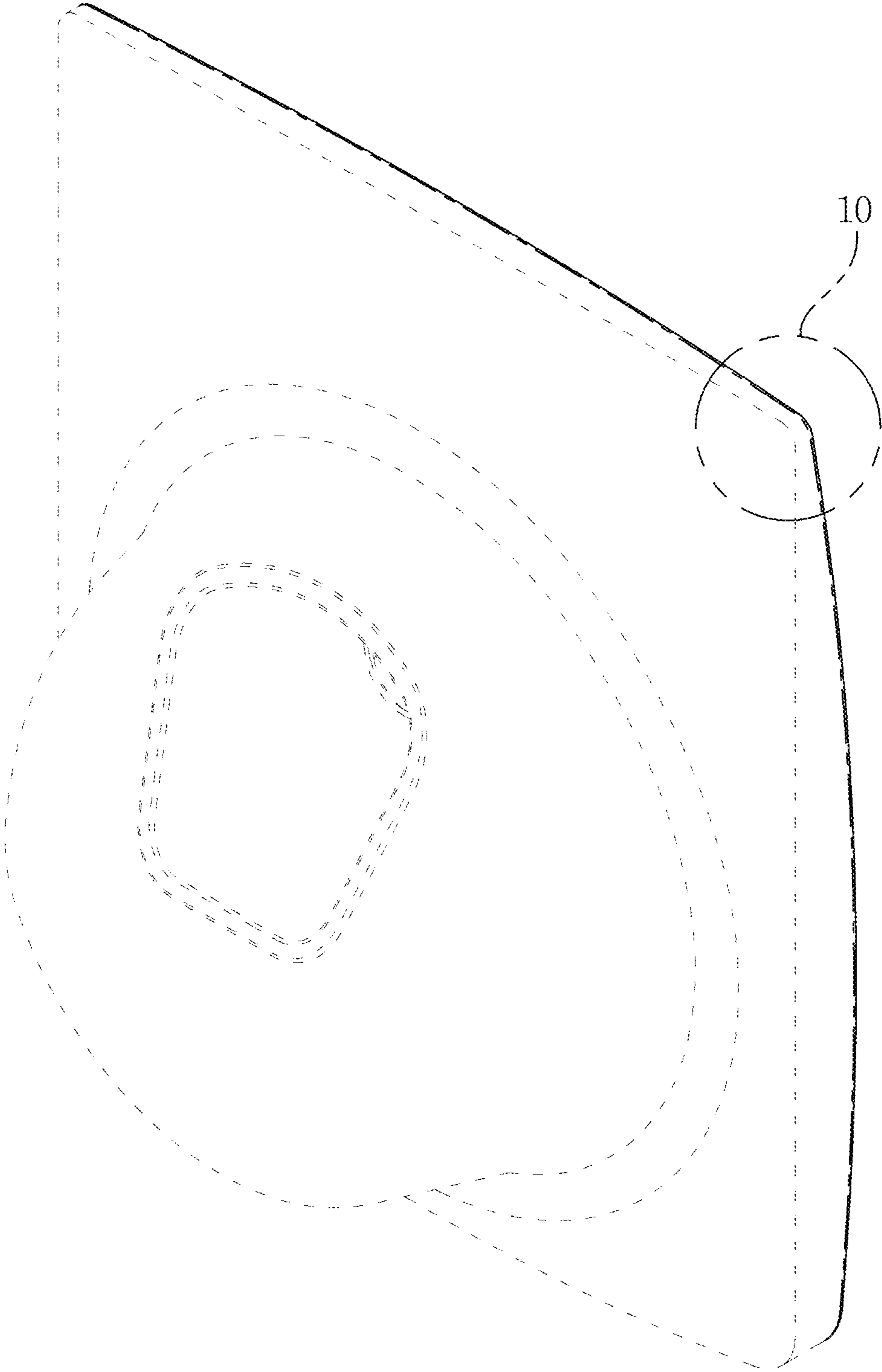


FIG. 9

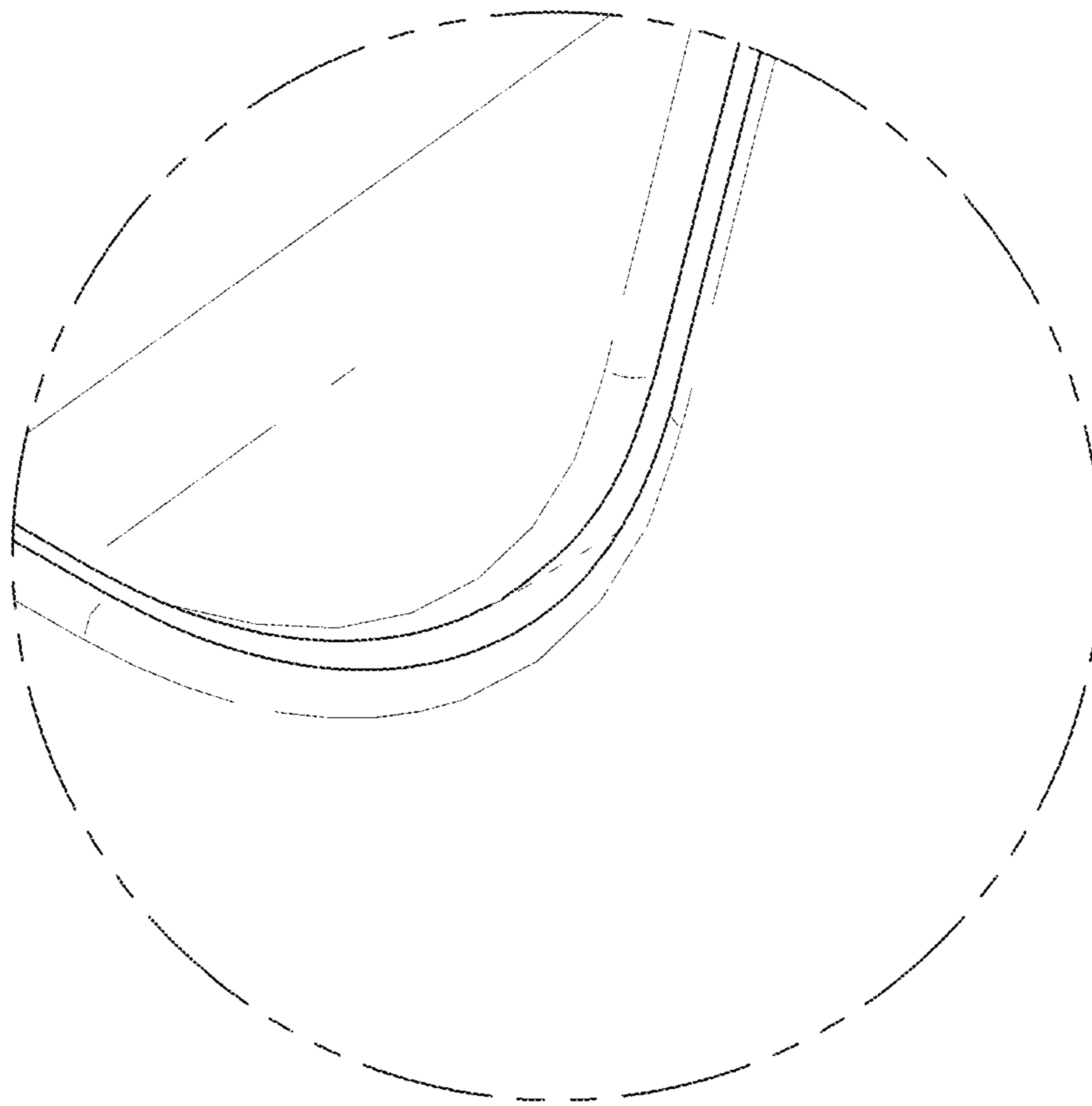


FIG. 10

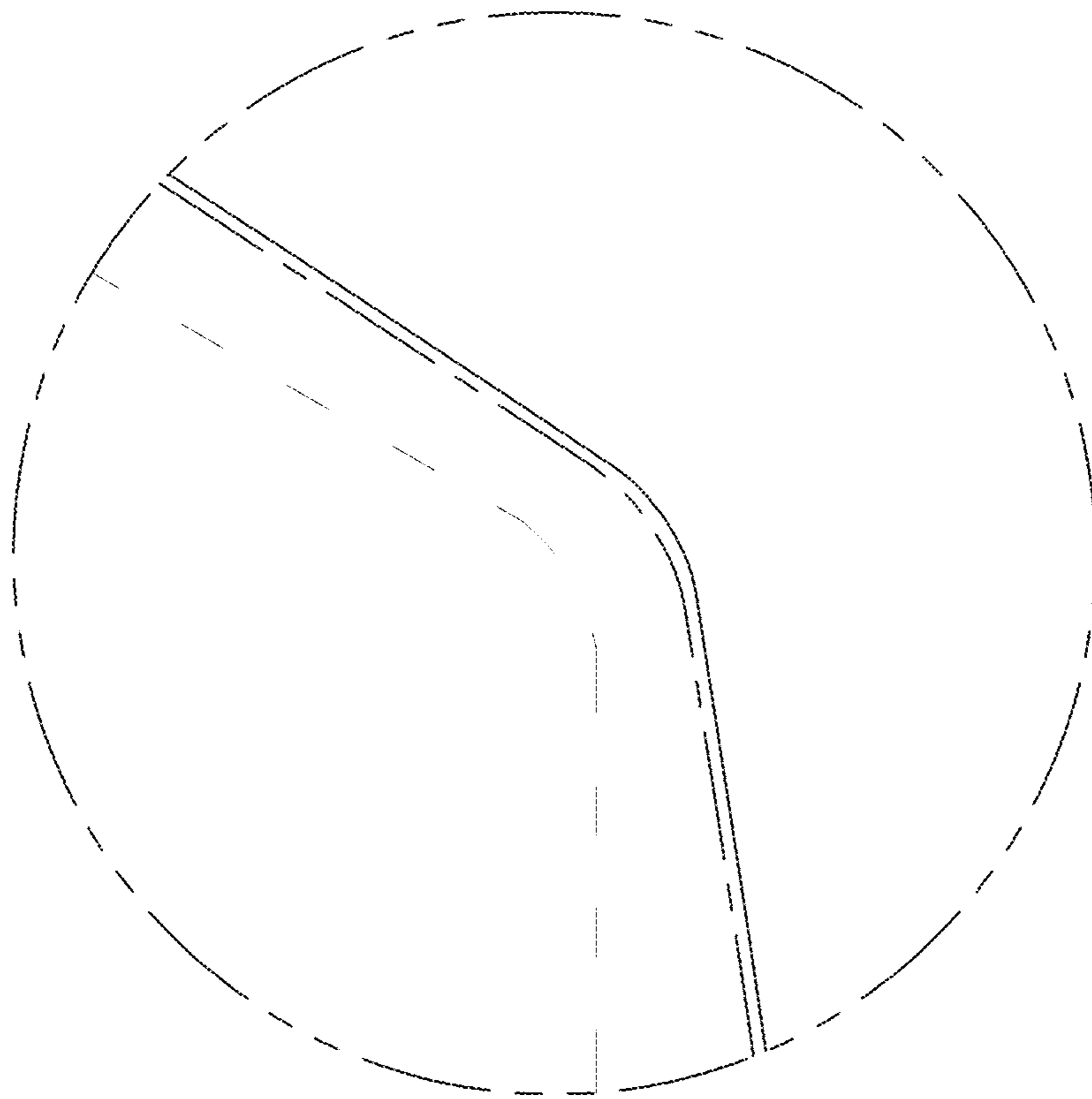


FIG. 11

