



US00D883589S

(12) **United States Design Patent** (10) **Patent No.:** **US D883,589 S**
Reches et al. (45) **Date of Patent:** **** May 5, 2020**

(54) **WASH SYSTEM**

(71) Applicant: **Formlabs, Inc.**, Somerville, MA (US)

(72) Inventors: **Yoav Reches**, Cambridge, MA (US);
Caitlin Reyda, Cambridge, MA (US);
Robb Morgan, Arlington, MA (US);
Jason Livingston, Somerville, MA
(US); **Ian Ferguson**, Cambridge, MA
(US); **Jonathan Fussman**, Brookline,
MA (US)

(73) Assignee: **Formlabs, Inc.**, Somerville, MA (US)

(**) Term: **15 Years**

(21) Appl. No.: **29/603,005**

(22) Filed: **May 5, 2017**

(51) **LOC (12) Cl.** **15-05**

(52) **U.S. Cl.**
USPC **D32/1**

(58) **Field of Classification Search**
USPC D32/1-3, 6, 8, 11-13, 15, 25-26, 29;
D18/50, 53

(Continued)

(56) **References Cited**

U.S. PATENT DOCUMENTS

D113,031 S * 1/1939 Baer 4/630
D117,442 S * 11/1939 Altorfer 68/232

(Continued)

Primary Examiner — Michelle E. Wilson

(74) *Attorney, Agent, or Firm* — Wolf, Greenfield &
Sacks, P.C.

(57) **CLAIM**

The ornamental design for a wash system, as shown and
described.

DESCRIPTION

FIG. 1 is a top, front, right perspective view of a wash
system showing a first embodiment of our design;

FIG. 2 is a front view thereof;
FIG. 3 is a back view thereof;
FIG. 4 is a left-side view thereof;
FIG. 5 is a right-side view thereof;
FIG. 6 is a top view thereof;
FIG. 7 is a bottom view thereof;
FIG. 8 is a top, front, right perspective view showing a
second embodiment thereof;
FIG. 9 is a front view of FIG. 8;
FIG. 10 is a back view of FIG. 8;
FIG. 11 is a left-side view of FIG. 8;
FIG. 12 is a right-side view of FIG. 8;
FIG. 13 is a top view of FIG. 8;
FIG. 14 is a bottom view of FIG. 8;
FIG. 15 is a top, front, right perspective view of FIG. 8,
showing the second embodiment of the wash system in an
alternate position;
FIG. 16 is a top, front, right perspective view showing a third
embodiment thereof;
FIG. 17 is a front view of FIG. 16;
FIG. 18 is a back view of FIG. 16;
FIG. 19 is a left-side view of FIG. 16;
FIG. 20 is a right-side view of FIG. 16;
FIG. 21 is a top view of FIG. 16;
FIG. 22 is a bottom view of FIG. 16;
FIG. 23 is a top, front, right perspective view of FIG. 16,
showing the third embodiment of the wash system in an
alternate position;
FIG. 24 is a top, front, right perspective view showing a
fourth embodiment thereof;
FIG. 25 is a front view of FIG. 24;
FIG. 26 is a back view of FIG. 24;
FIG. 27 is a left-side view of FIG. 24;
FIG. 28 is a right-side view of FIG. 24;
FIG. 29 is a top view of FIG. 24;
FIG. 30 is a bottom view of FIG. 24;
FIG. 31 is a top, front, right perspective view showing a fifth
embodiment thereof;
FIG. 32 is a top, front, left perspective view of FIG. 31;
FIG. 33 is a front view of FIG. 31;
FIG. 34 is a back view of FIG. 31;
FIG. 35 is a left-side view of FIG. 31;
FIG. 36 is a right-side view of FIG. 31;
FIG. 37 is a top view of FIG. 31;

(Continued)

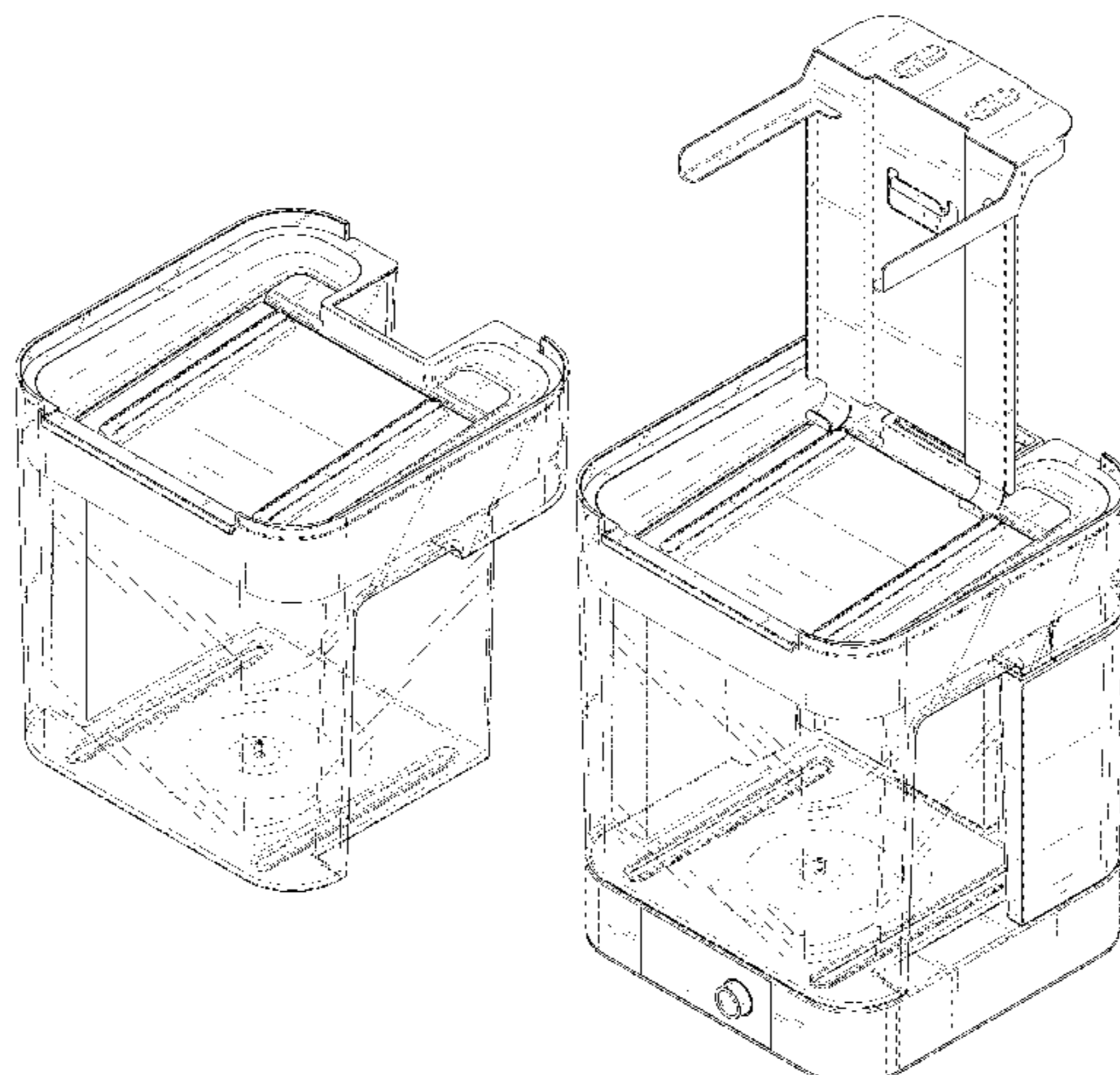


FIG. 38 is a bottom view of FIG. 31
 FIG. 39 is a top, front, right perspective view of FIG. 31,
 showing the fifth embodiment of the wash system in an
 alternate position; and,
 FIG. 40 is a top, front, left perspective view of FIG. 39.
 The broken lines illustrate portions of the wash system that
 form no part of the claimed design.

1 Claim, 40 Drawing Sheets

(58) Field of Classification Search

CPC A47L 13/51; B08B 1/00; B08B 3/026;
 B62B 1/10; B62B 2202/50; B62B 1/008;
 B60S 3/047

See application file for complete search history.

(56) References Cited

U.S. PATENT DOCUMENTS

D167,644 S * 9/1952 Mustee D32/11

D179,475 S *	1/1957	Stephens	D32/11
D220,285 S *	3/1971	Cowen	D32/11
4,730,631 A *	3/1988	Schwartz	G01N 35/1004 134/155
6,253,394 B1 *	7/2001	Goyette	A47K 1/02 4/626
D466,258 S *	11/2002	Fuchs	D32/11
7,635,002 B2 *	12/2009	Peterson	C11D 11/0035 134/25.2
D735,267 S *	7/2015	Chung	D18/50
D749,672 S *	2/2016	Chung	D18/53
2002/0059945 A1 *	5/2002	Maiefski	B01J 19/0046 134/25.1
2004/0195346 A1 *	10/2004	McIntyre	A47L 13/51 239/1
2006/0061613 A1 *	3/2006	Fienup	B41J 2/16532 347/19
2010/0078904 A1 *	4/2010	Collins	B08B 3/006 280/47.11

* cited by examiner

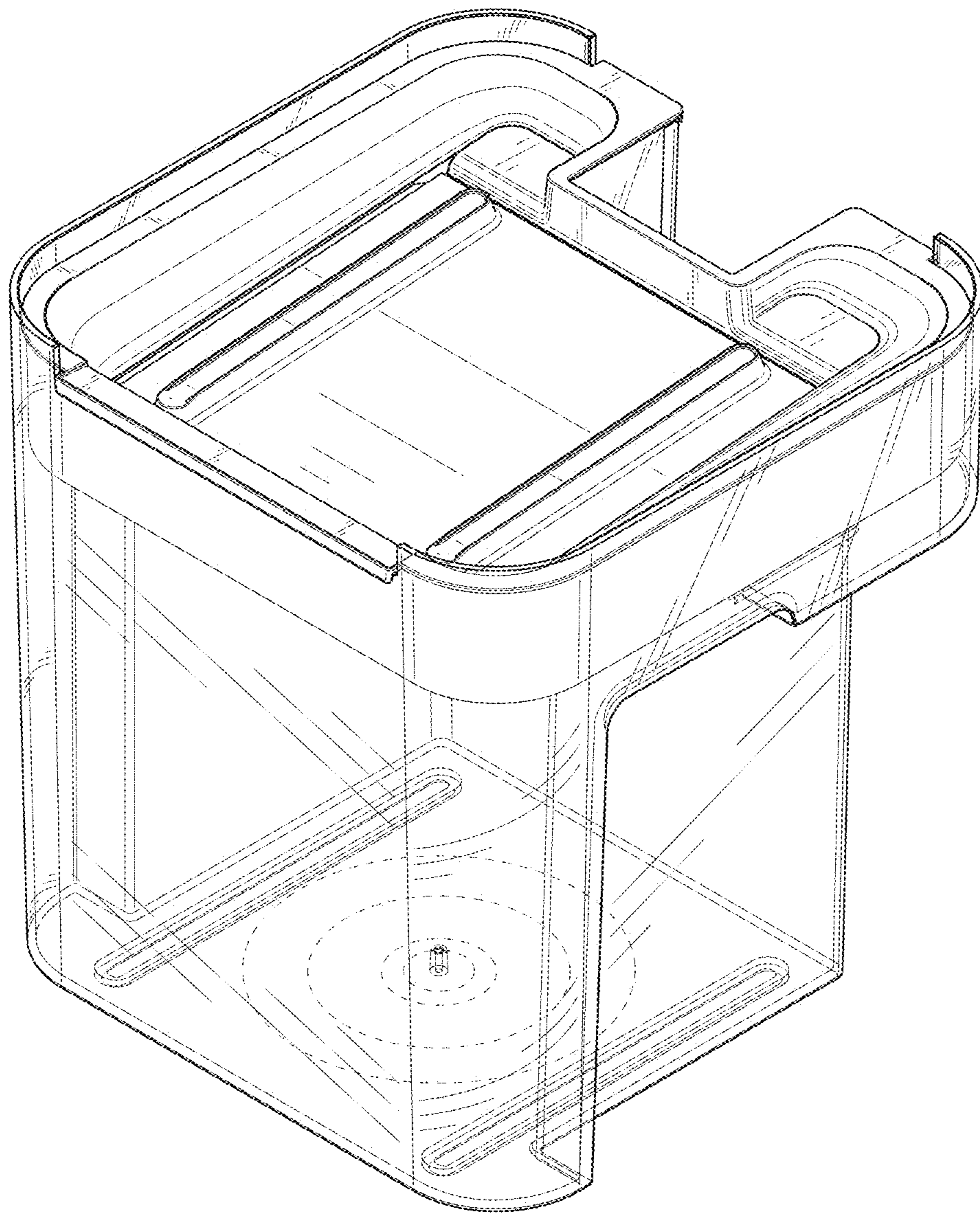


FIG. 1

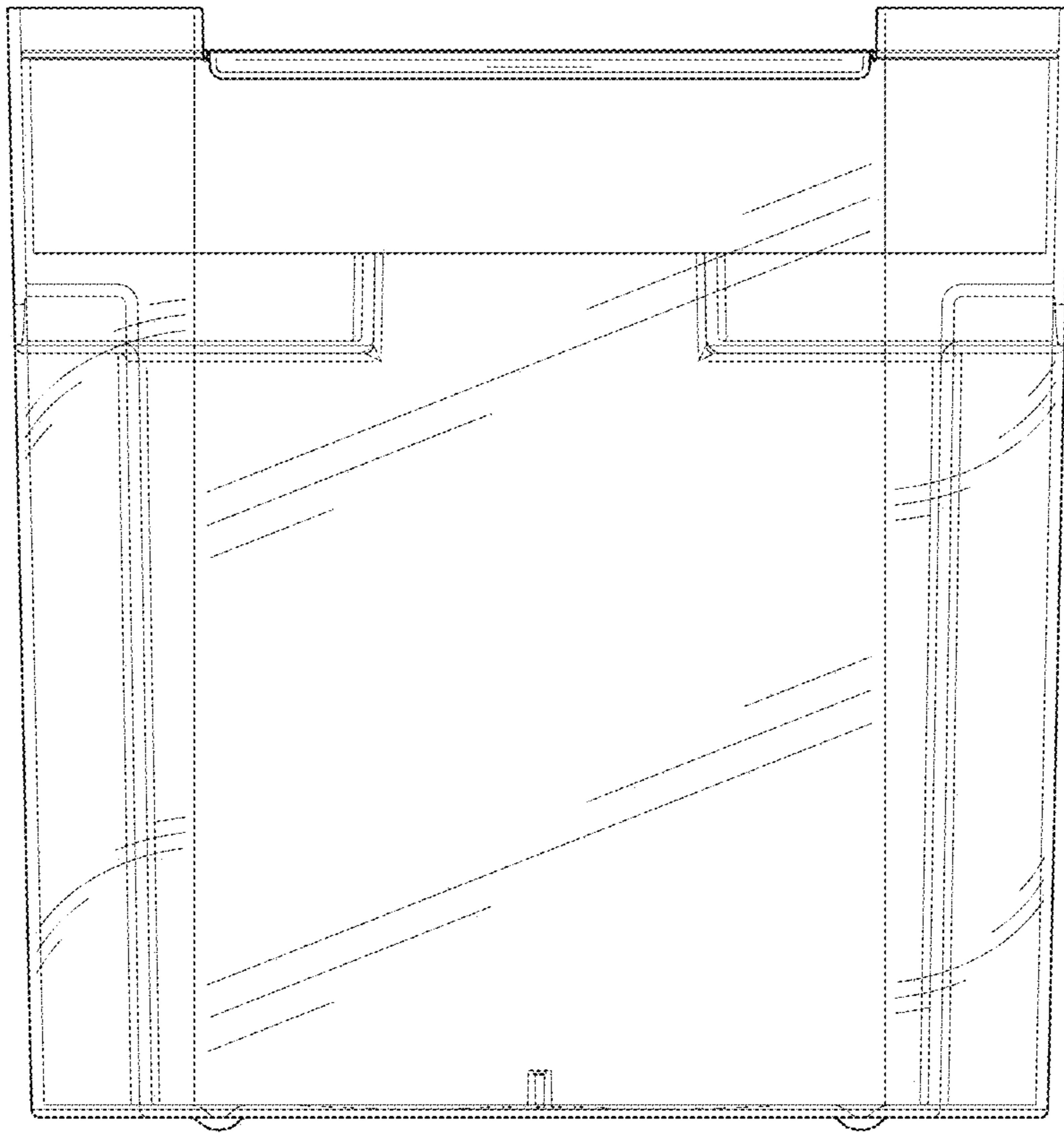


FIG. 2

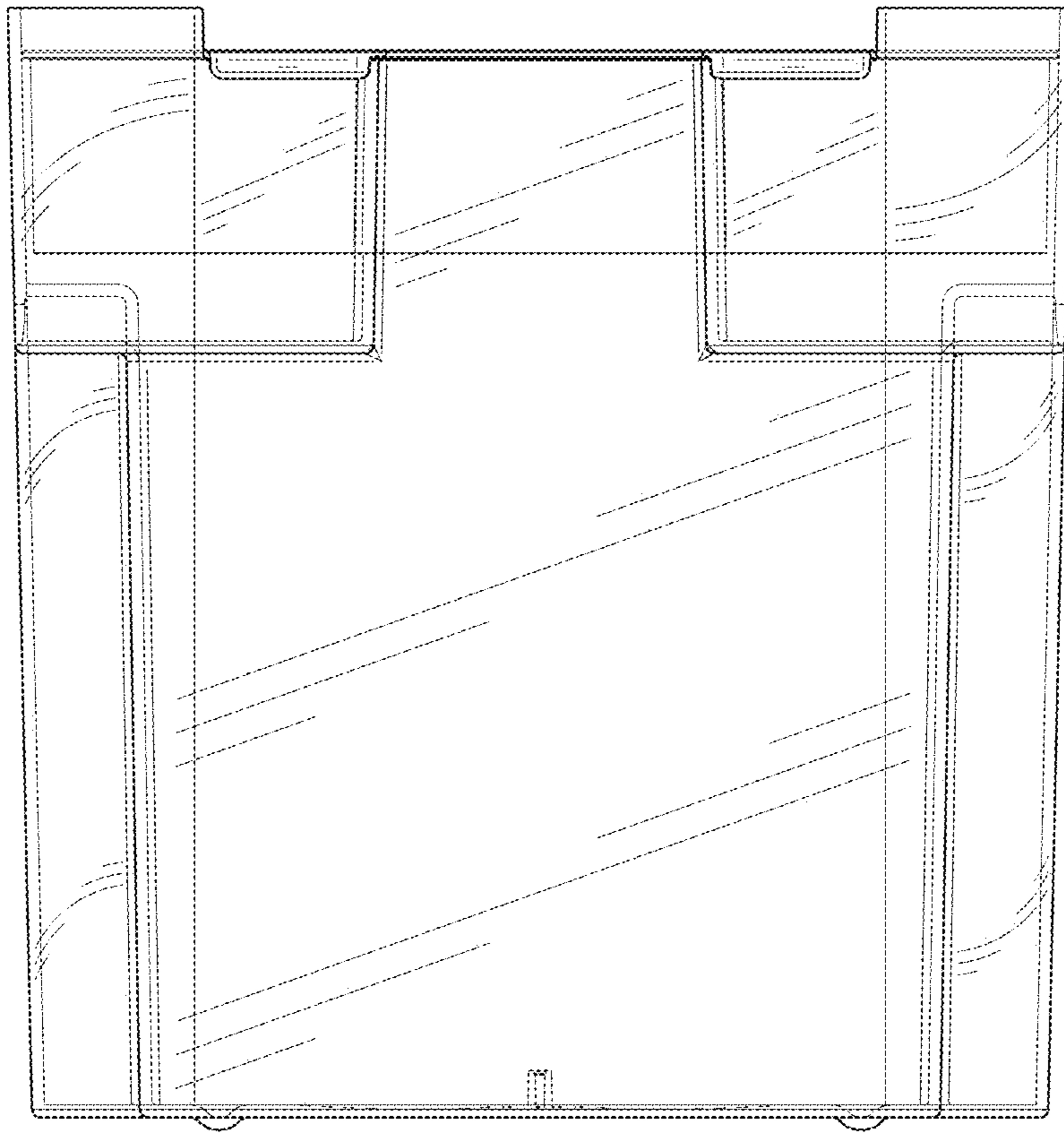


FIG. 3

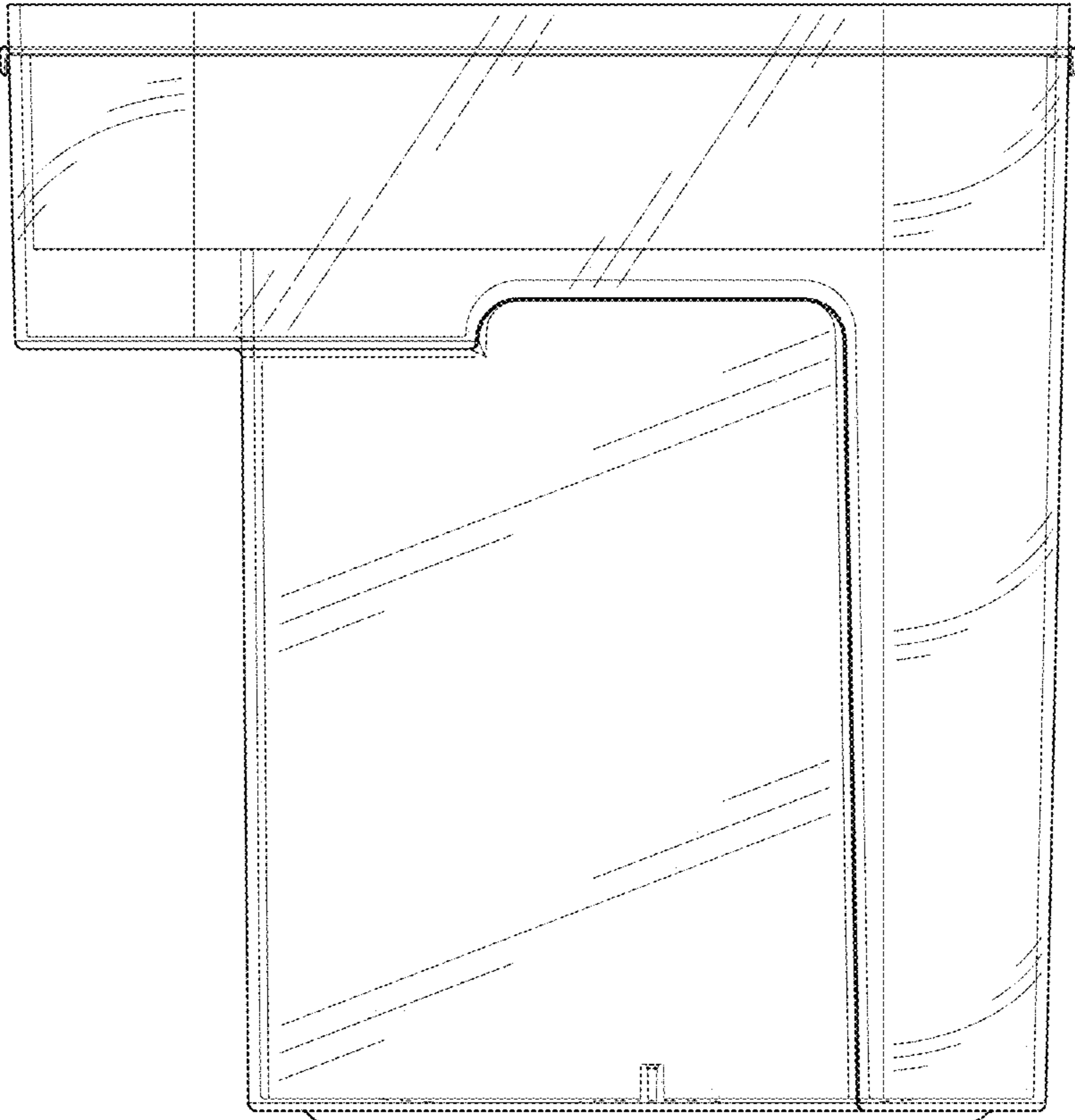


FIG. 4

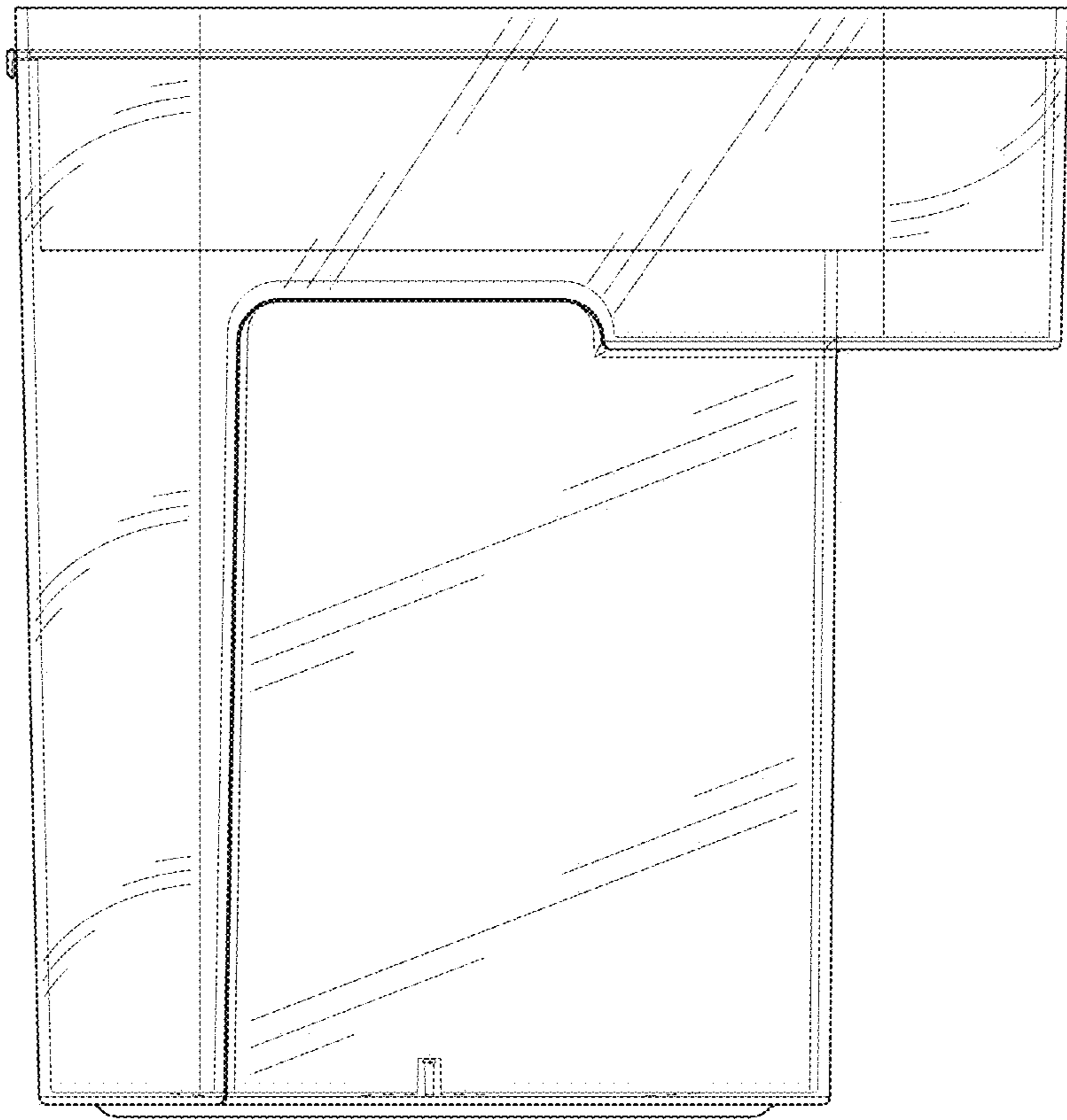


FIG. 5

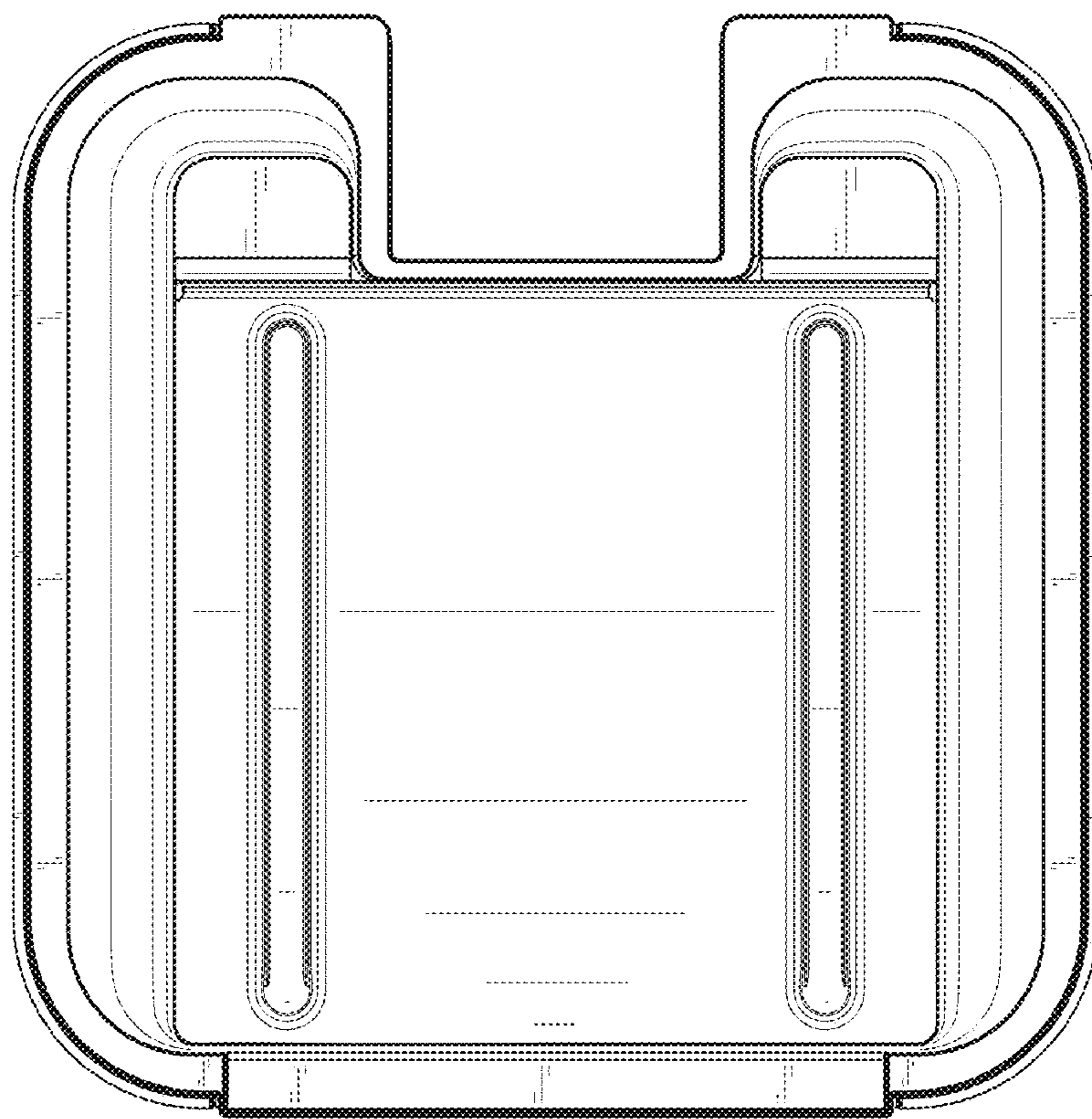


FIG. 6

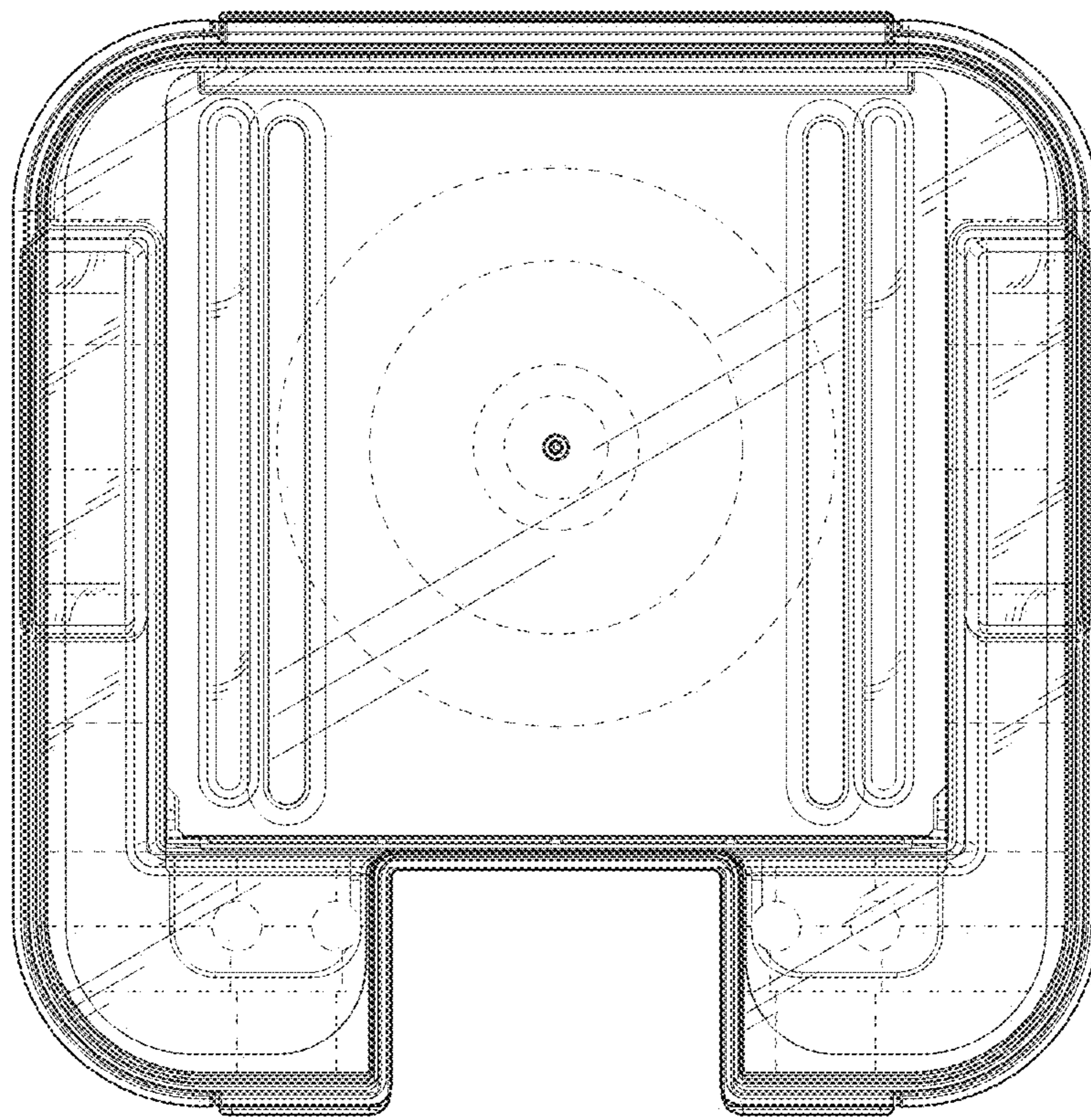


FIG. 7

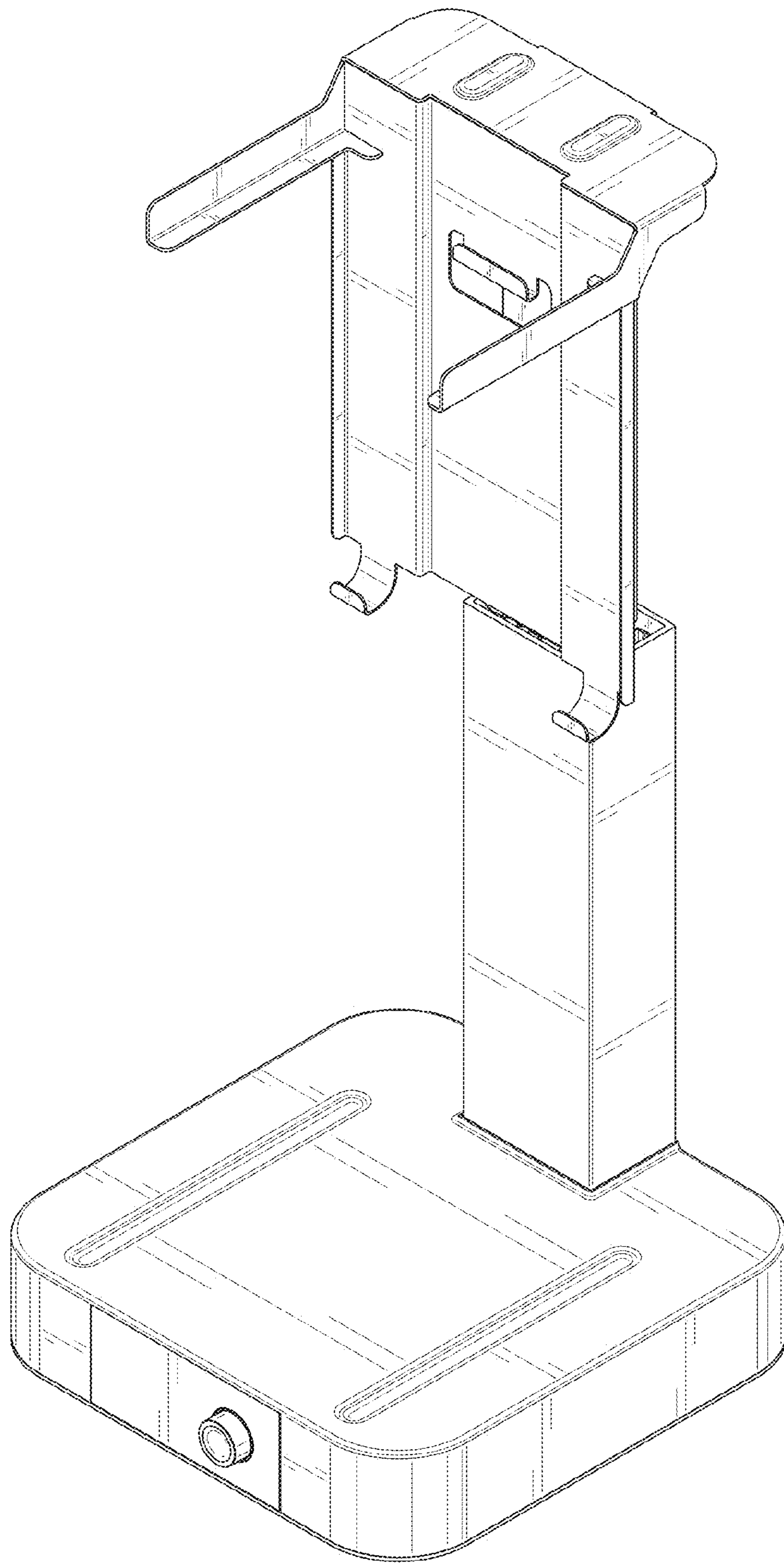


FIG. 8

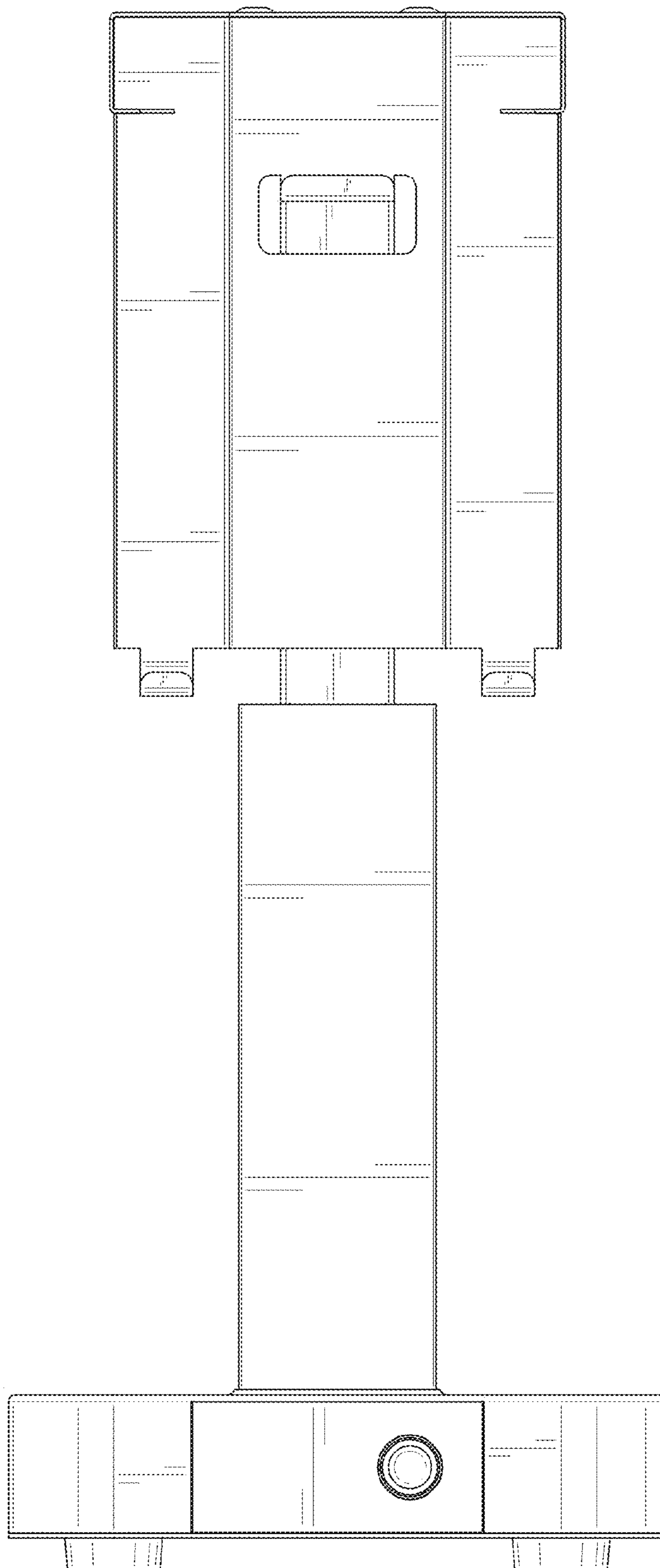


FIG. 9

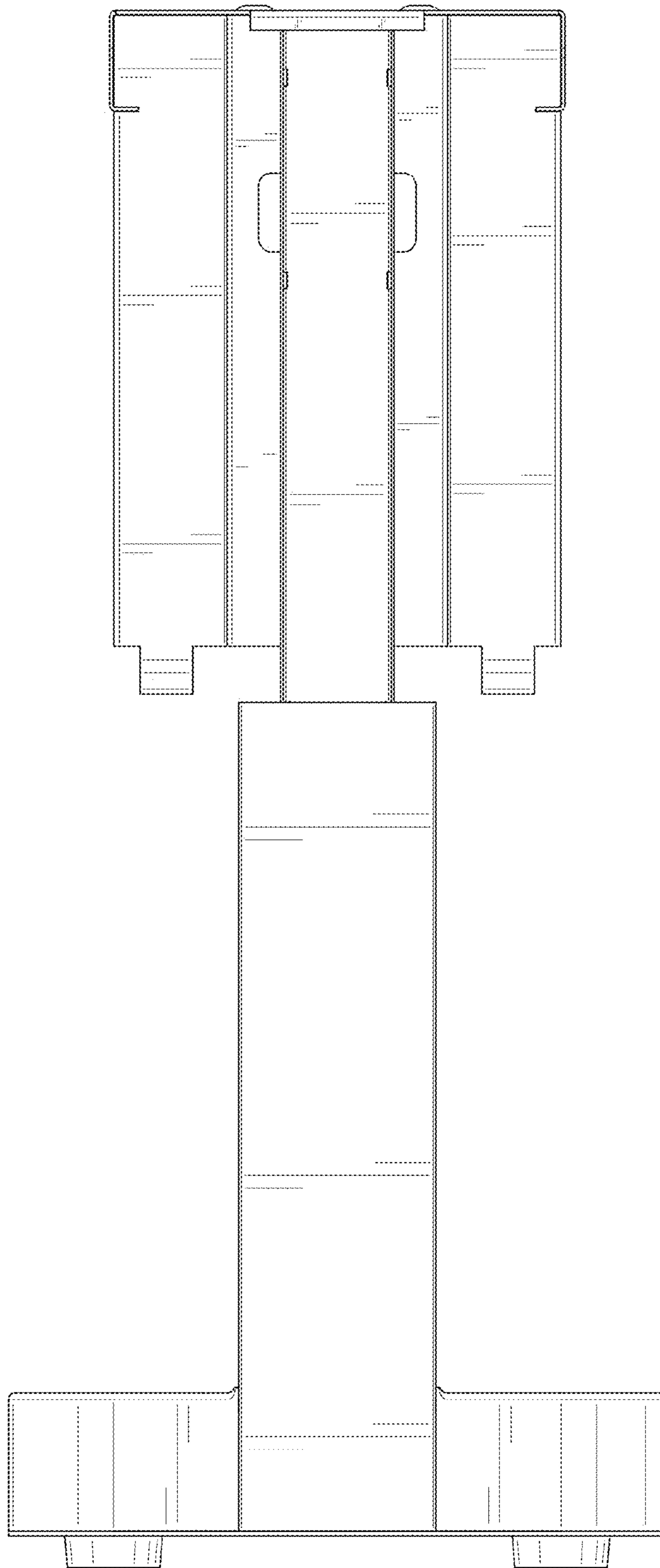


FIG. 10

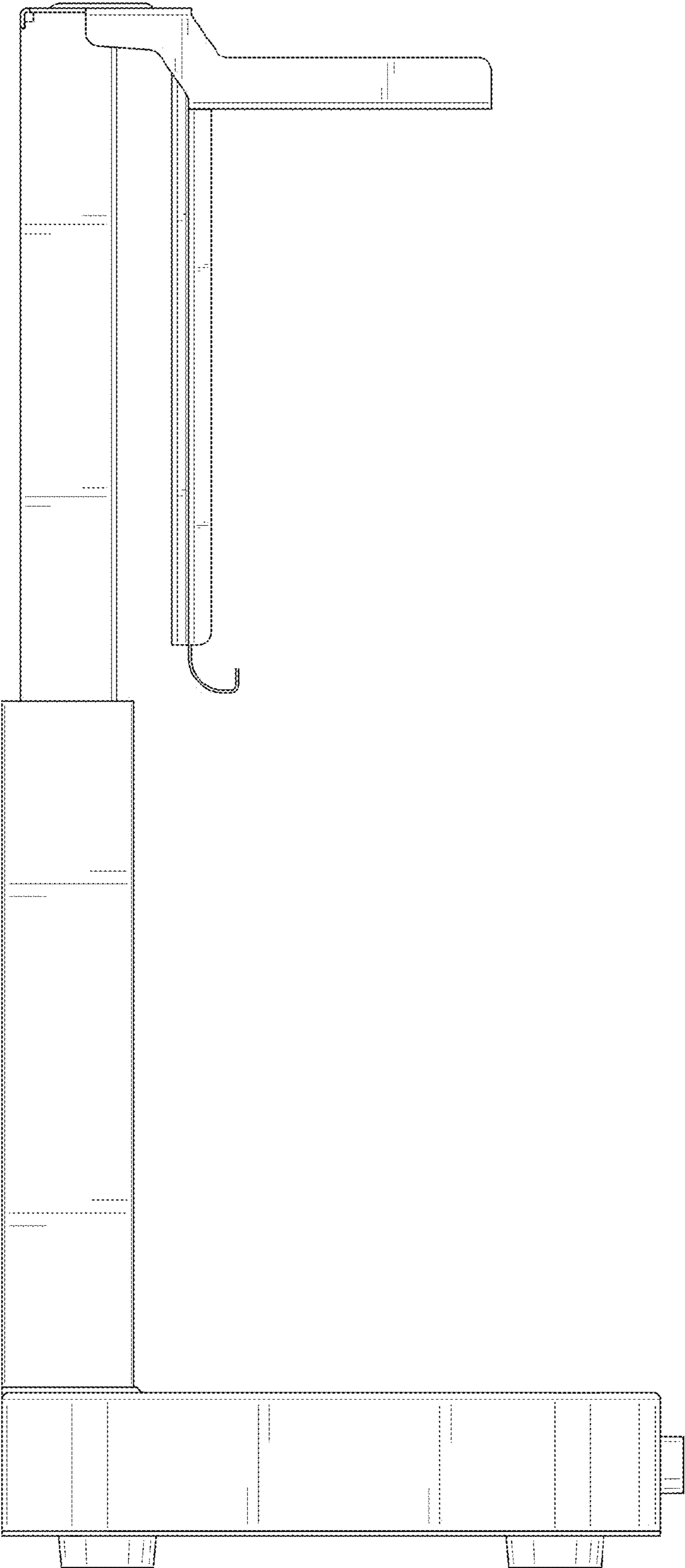


FIG. 11

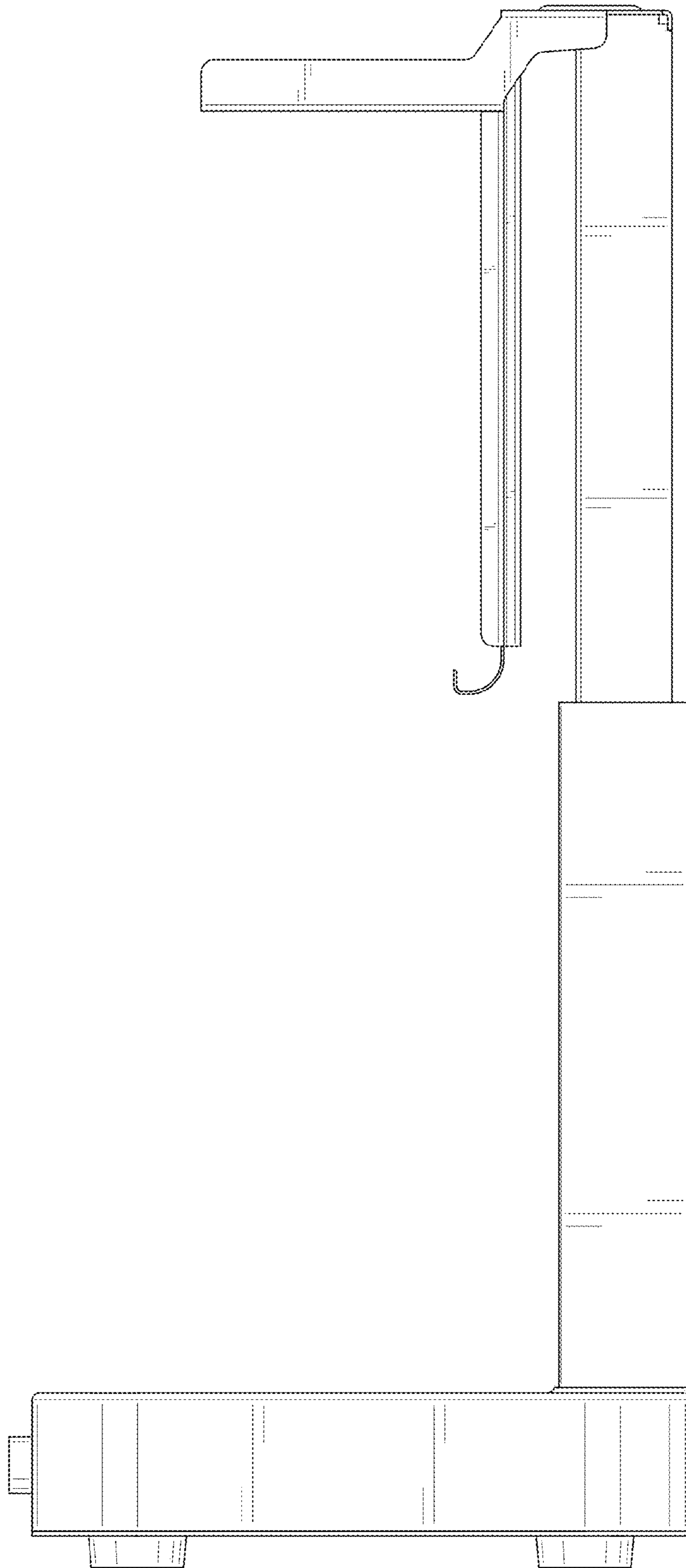


FIG. 12

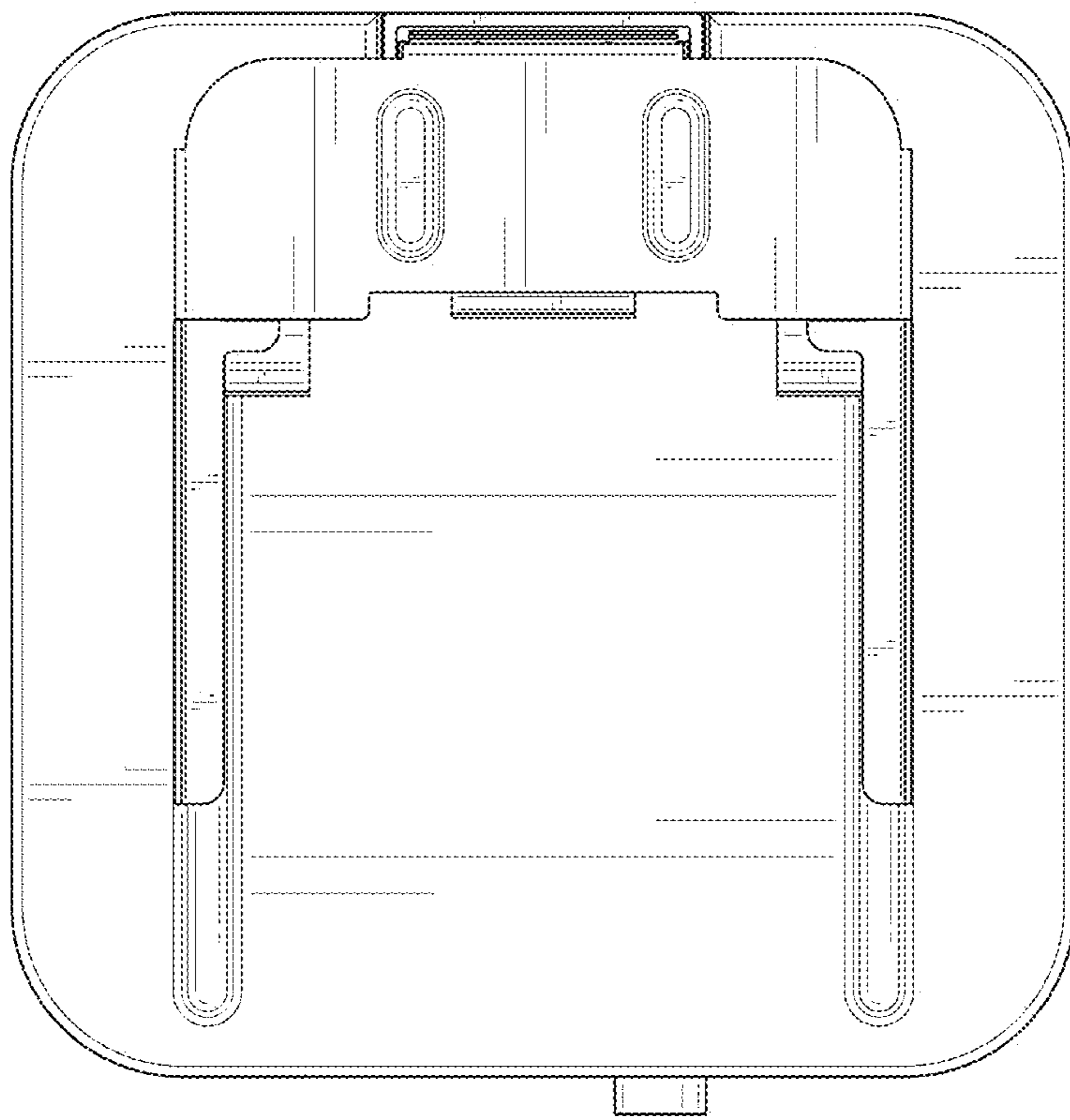


FIG. 13

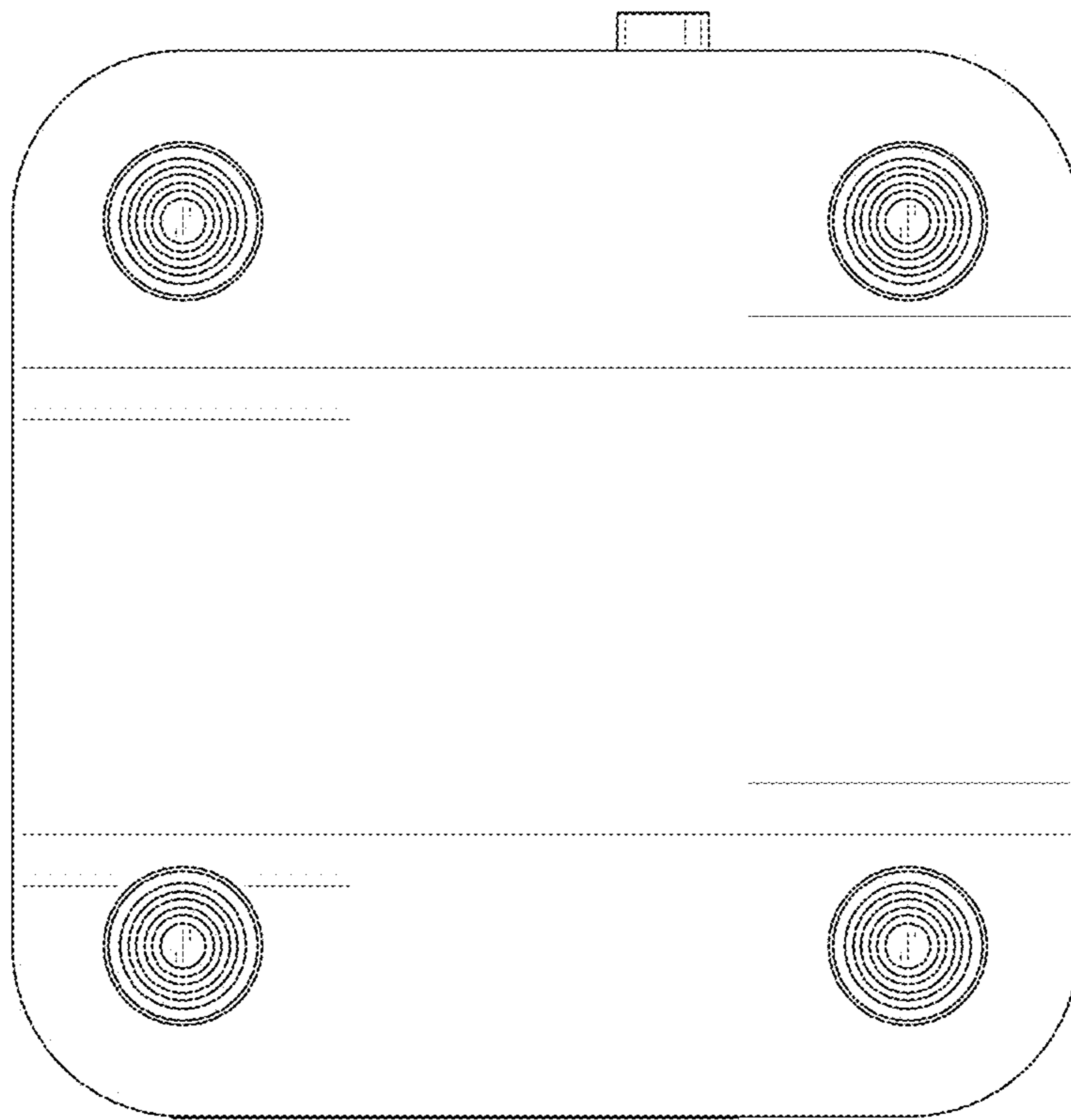


FIG. 14

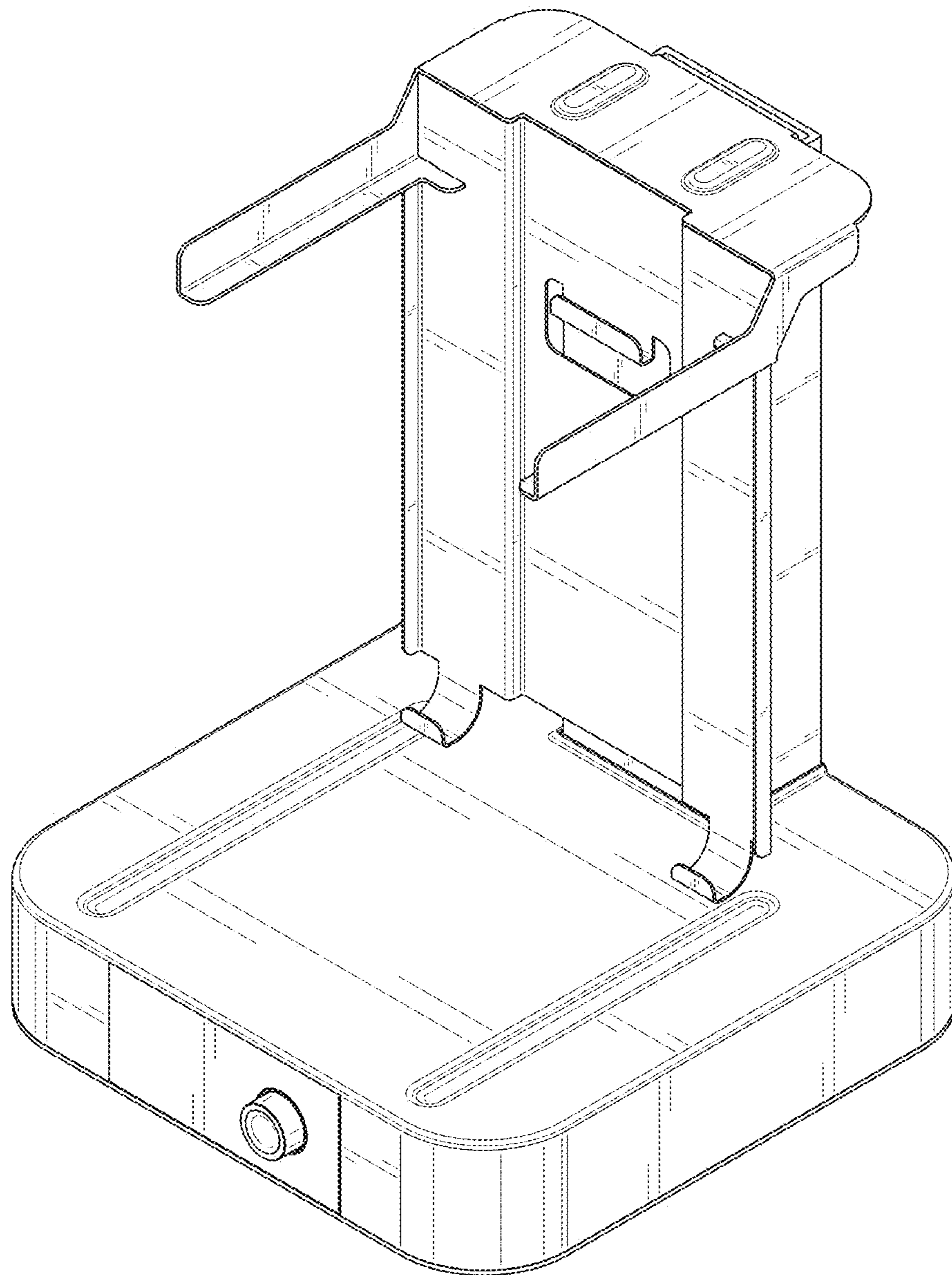


FIG. 15

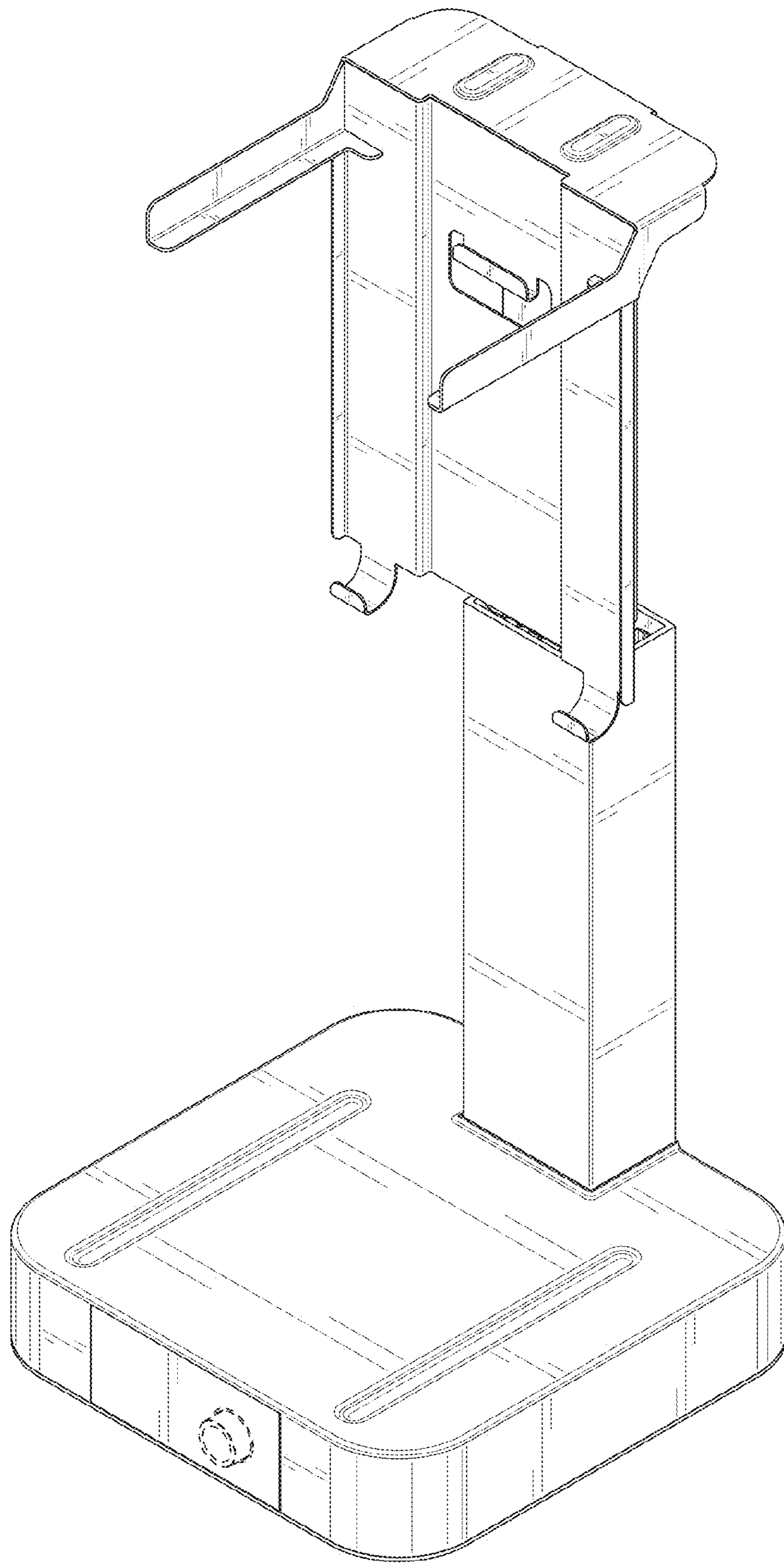


FIG. 16

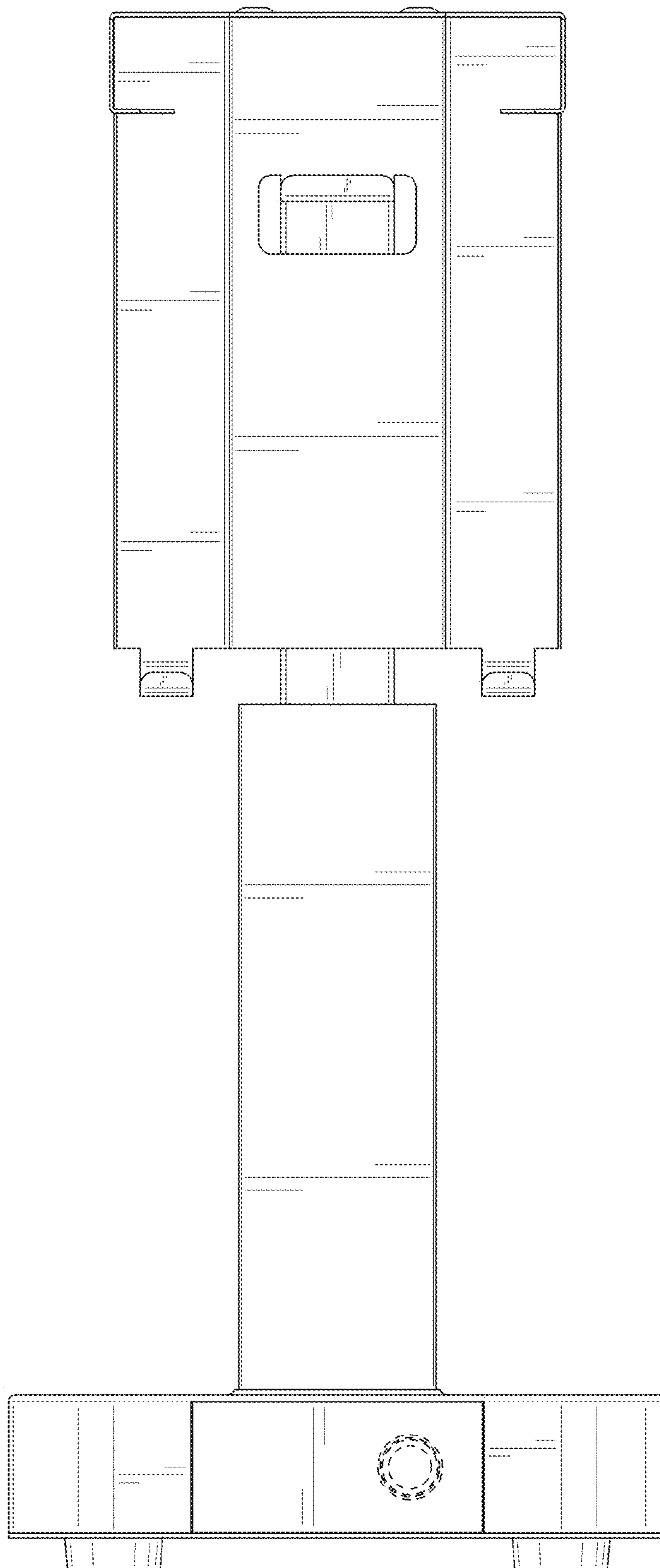


FIG. 17

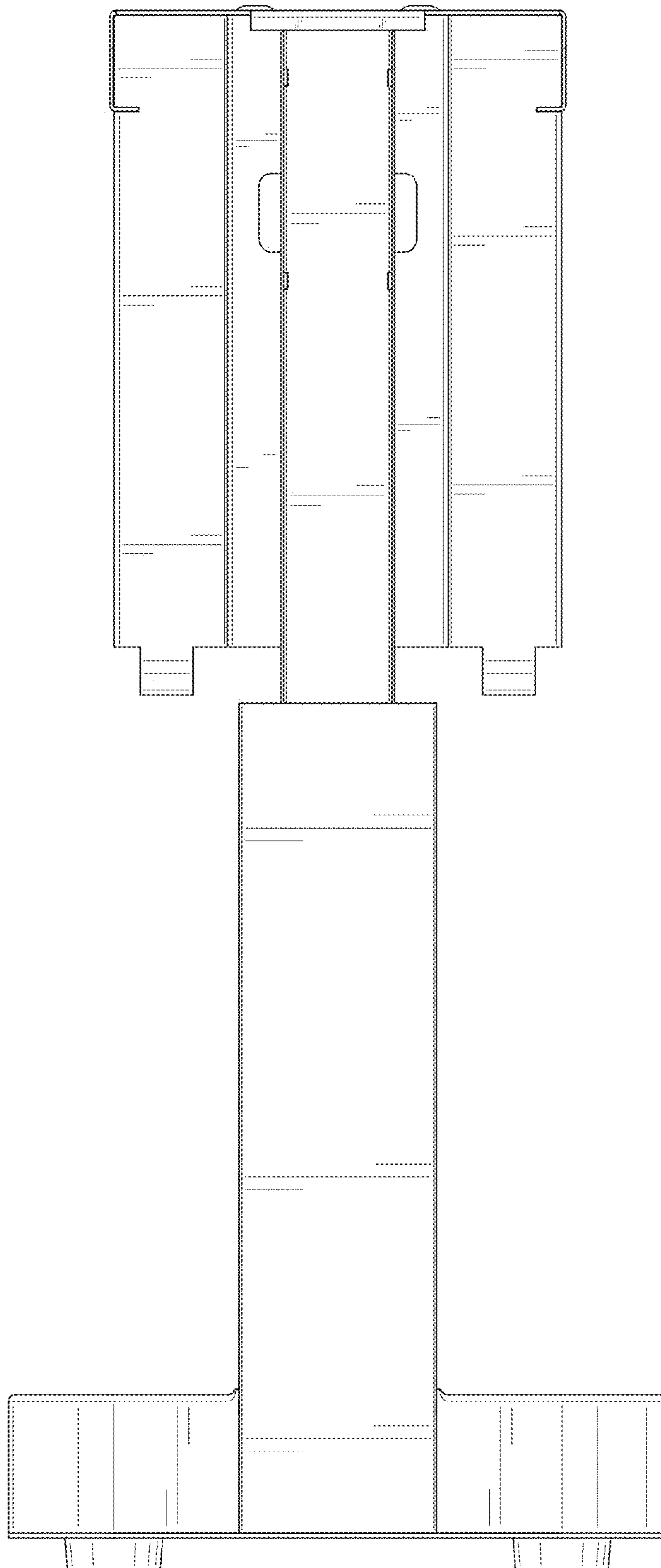


FIG. 18

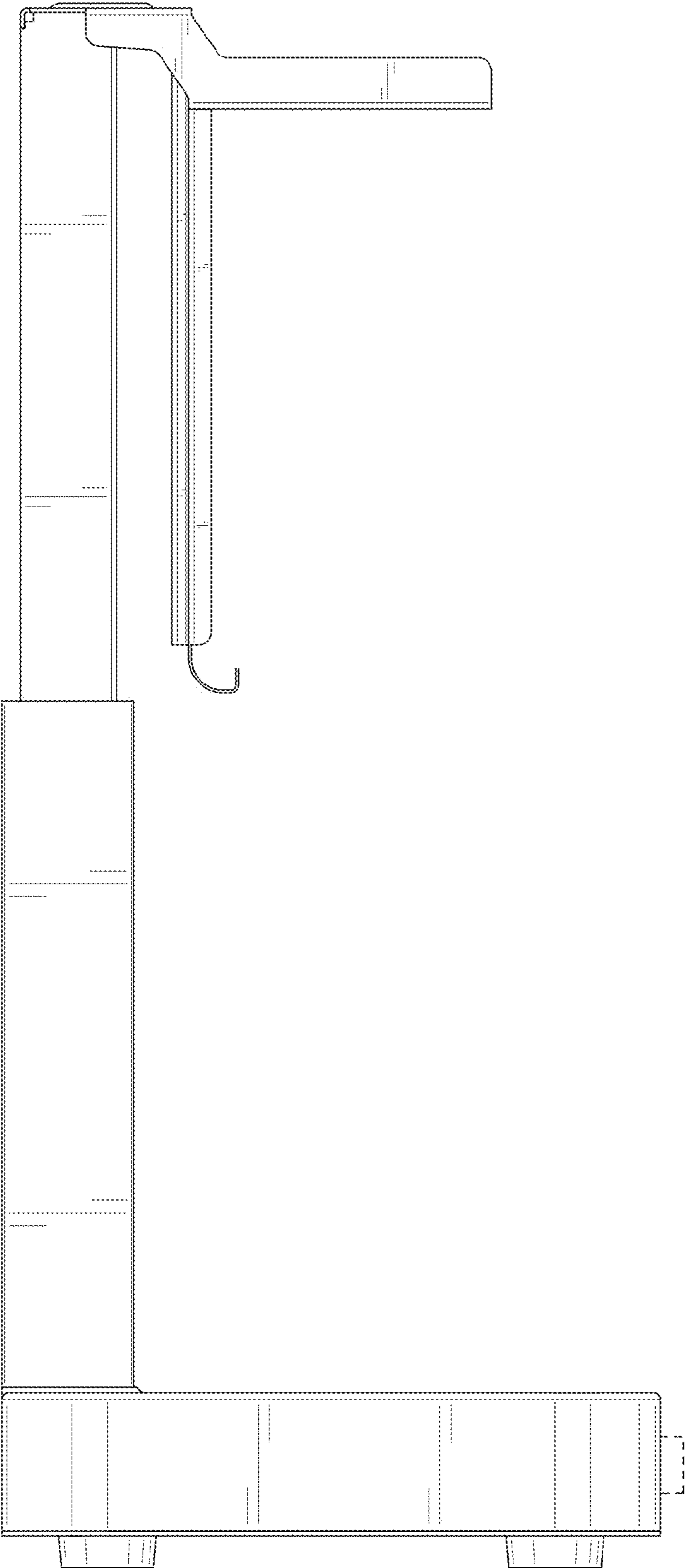


FIG. 19

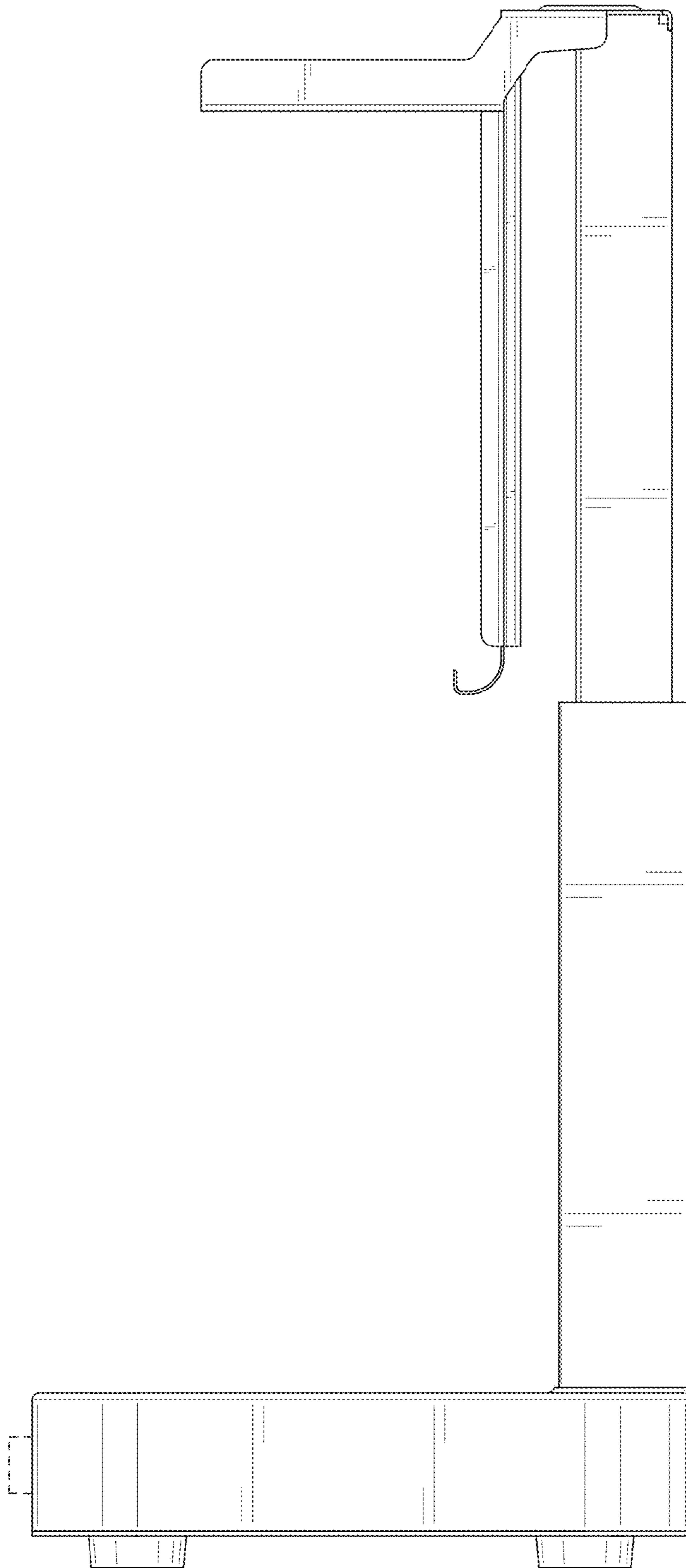


FIG. 20

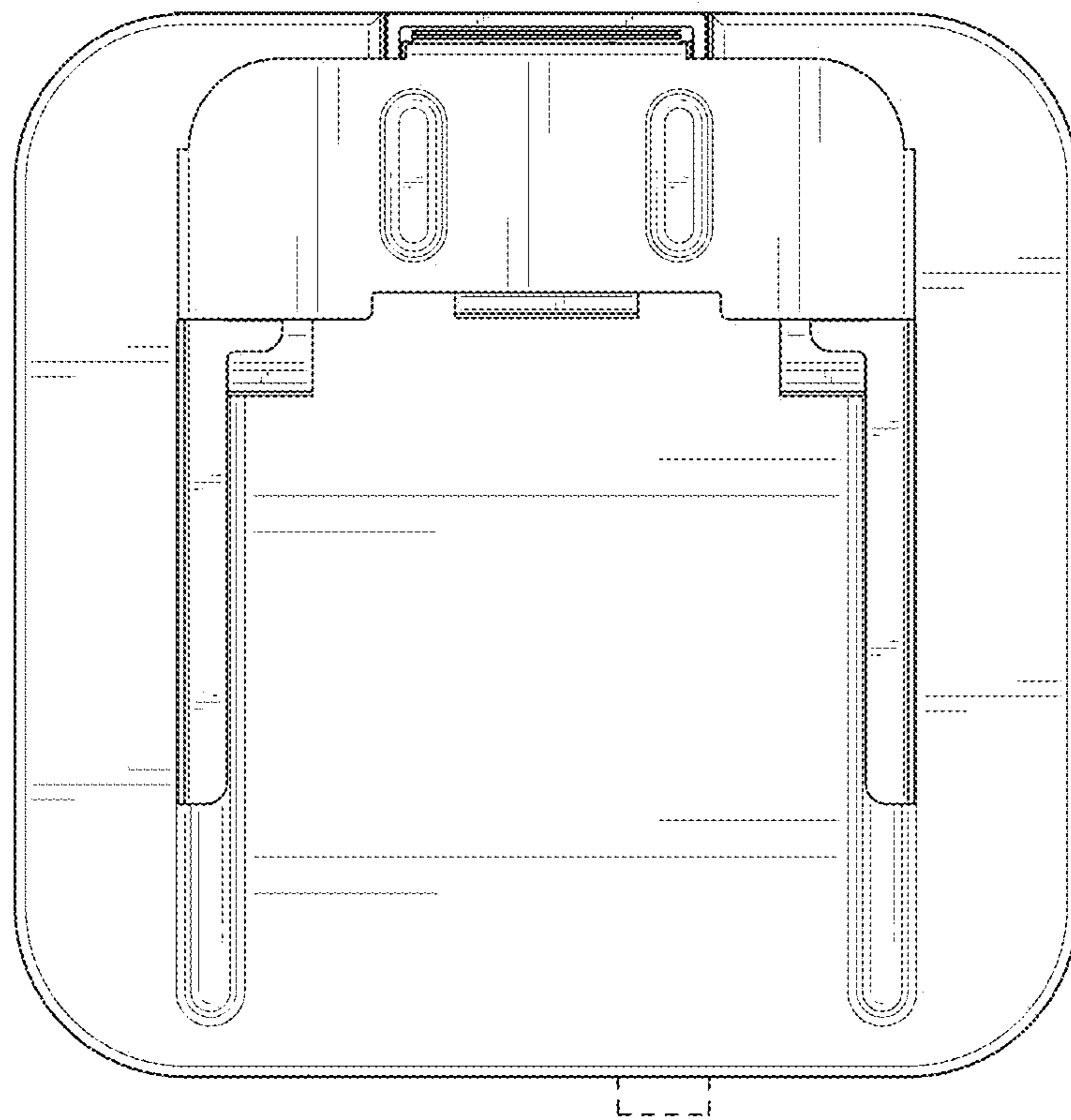


FIG. 21

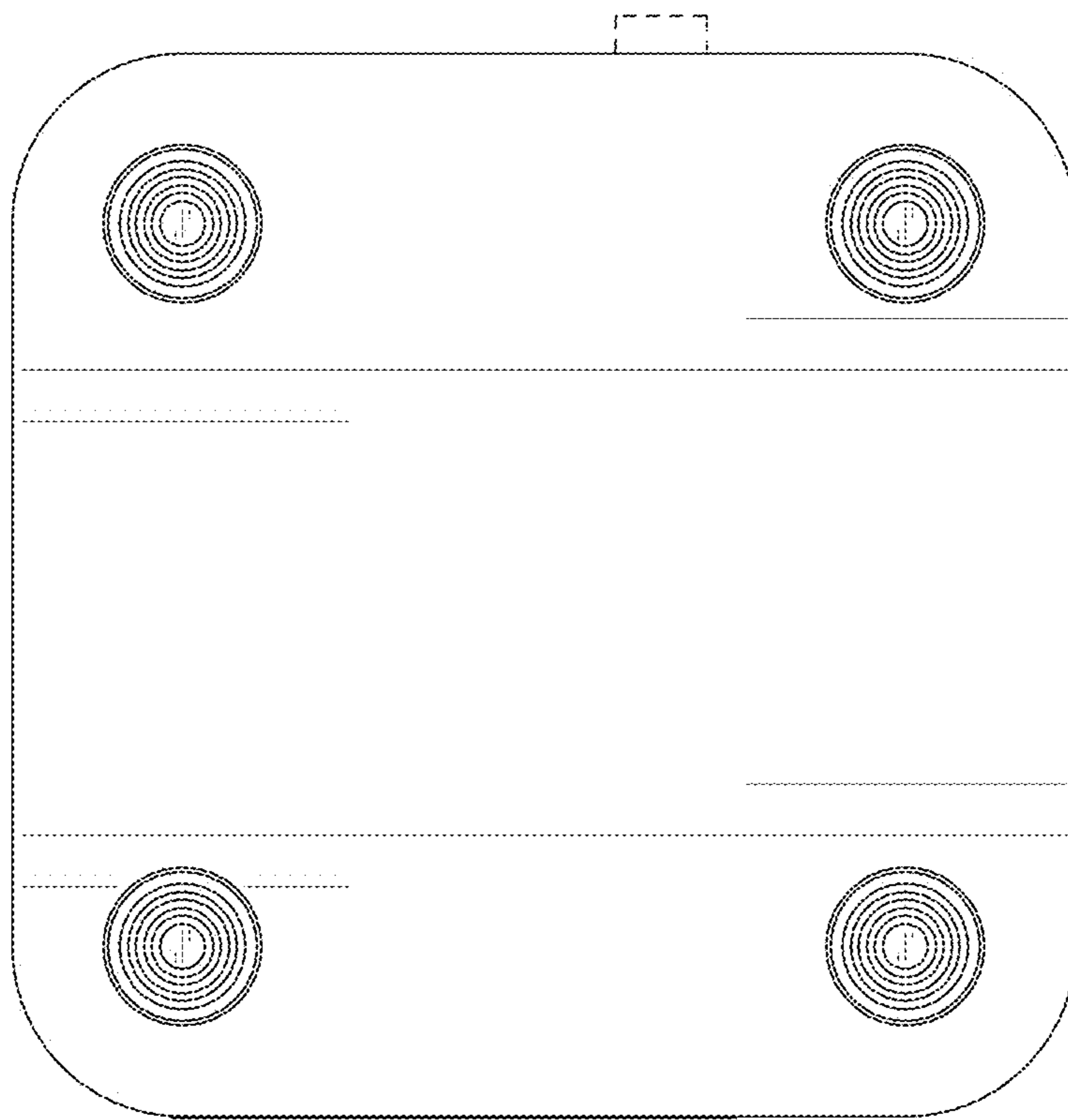


FIG. 22

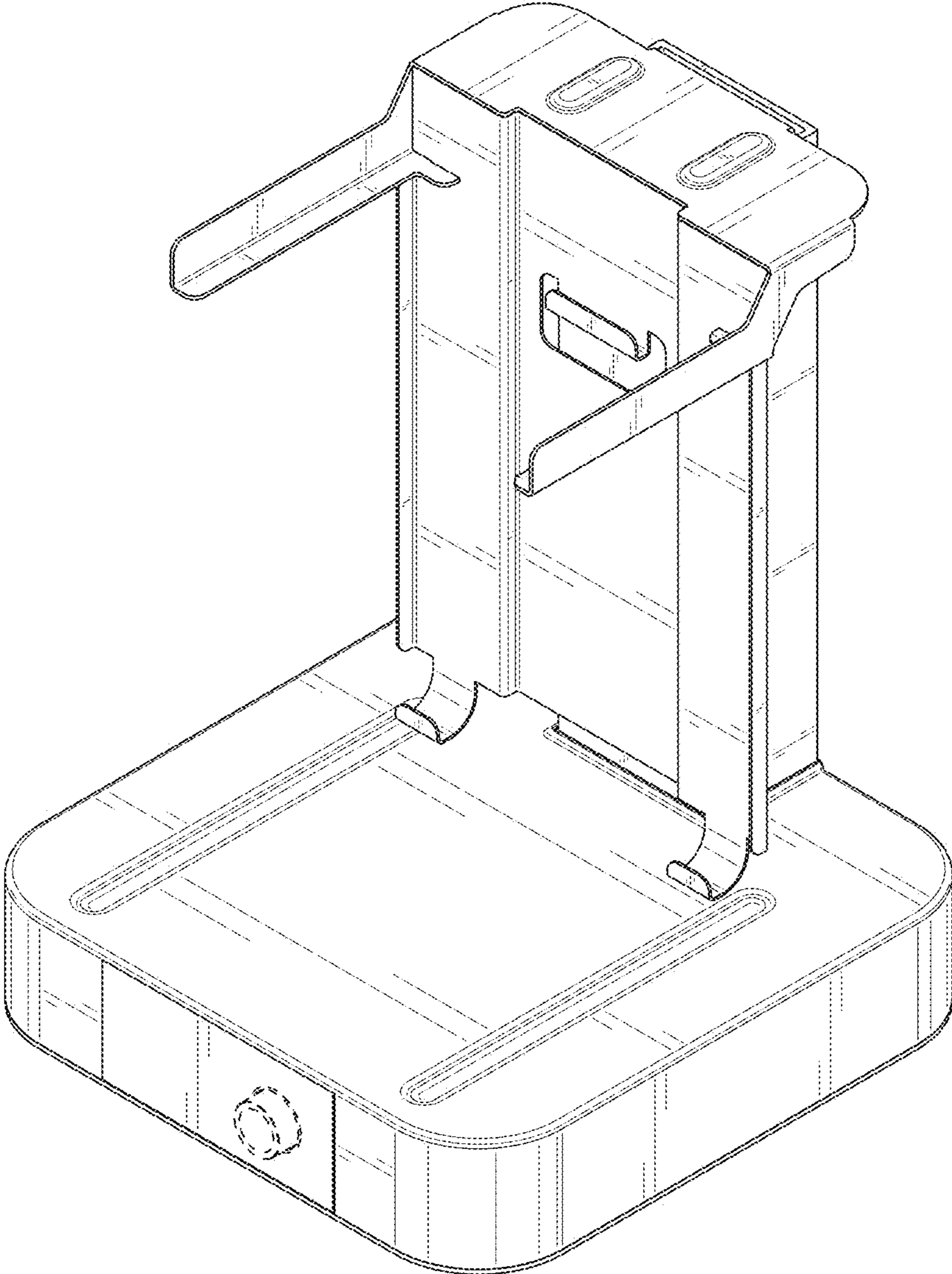


FIG. 23

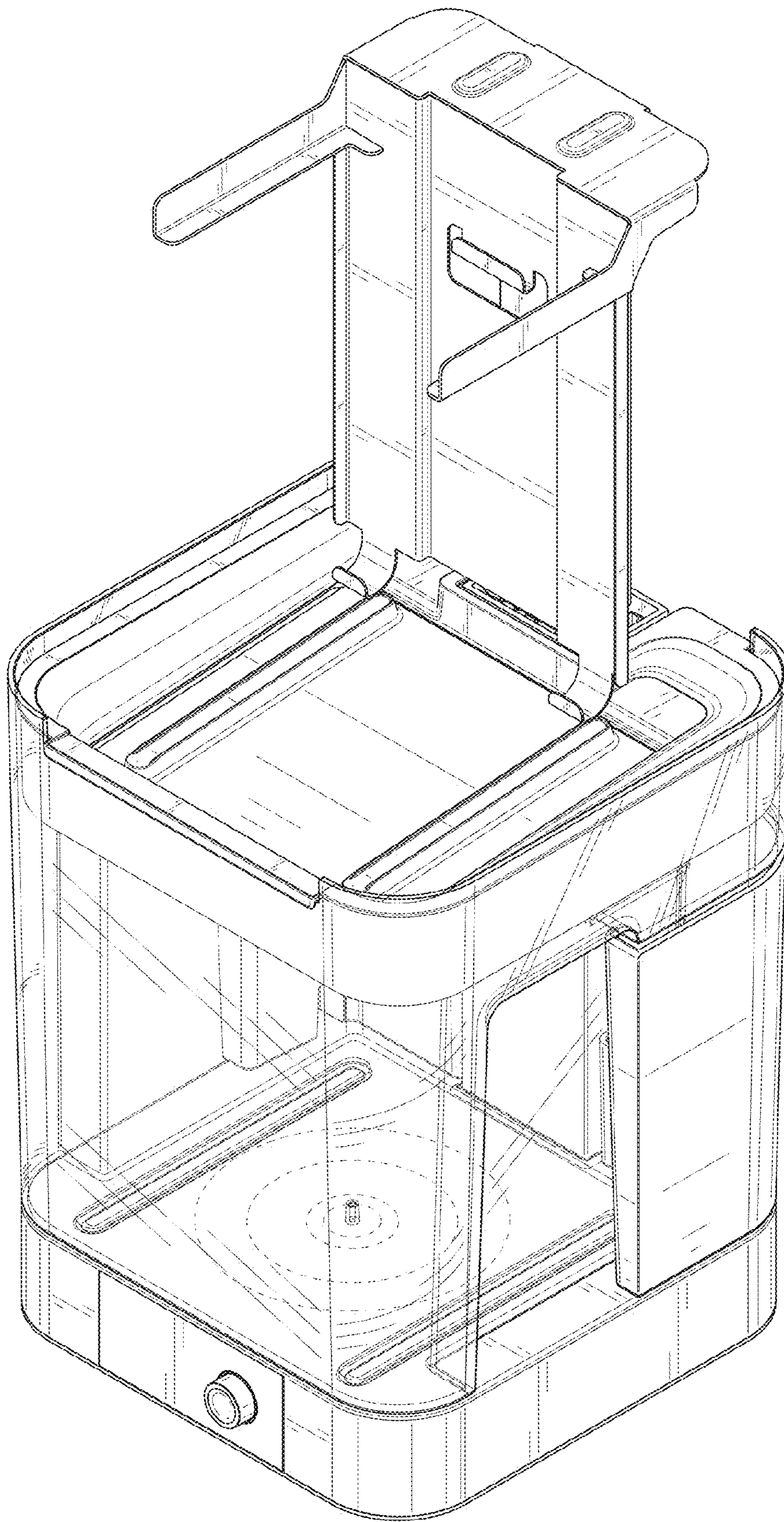


FIG. 24

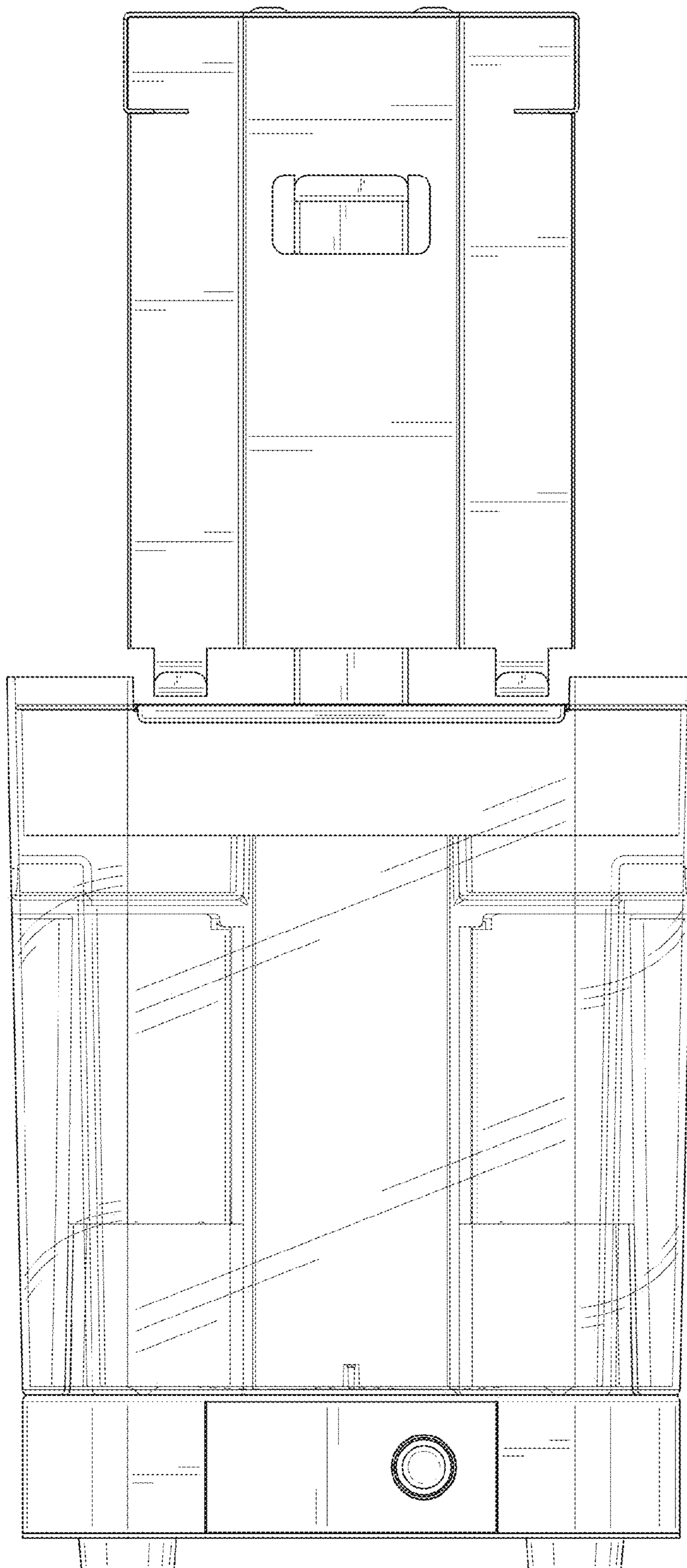


FIG. 25

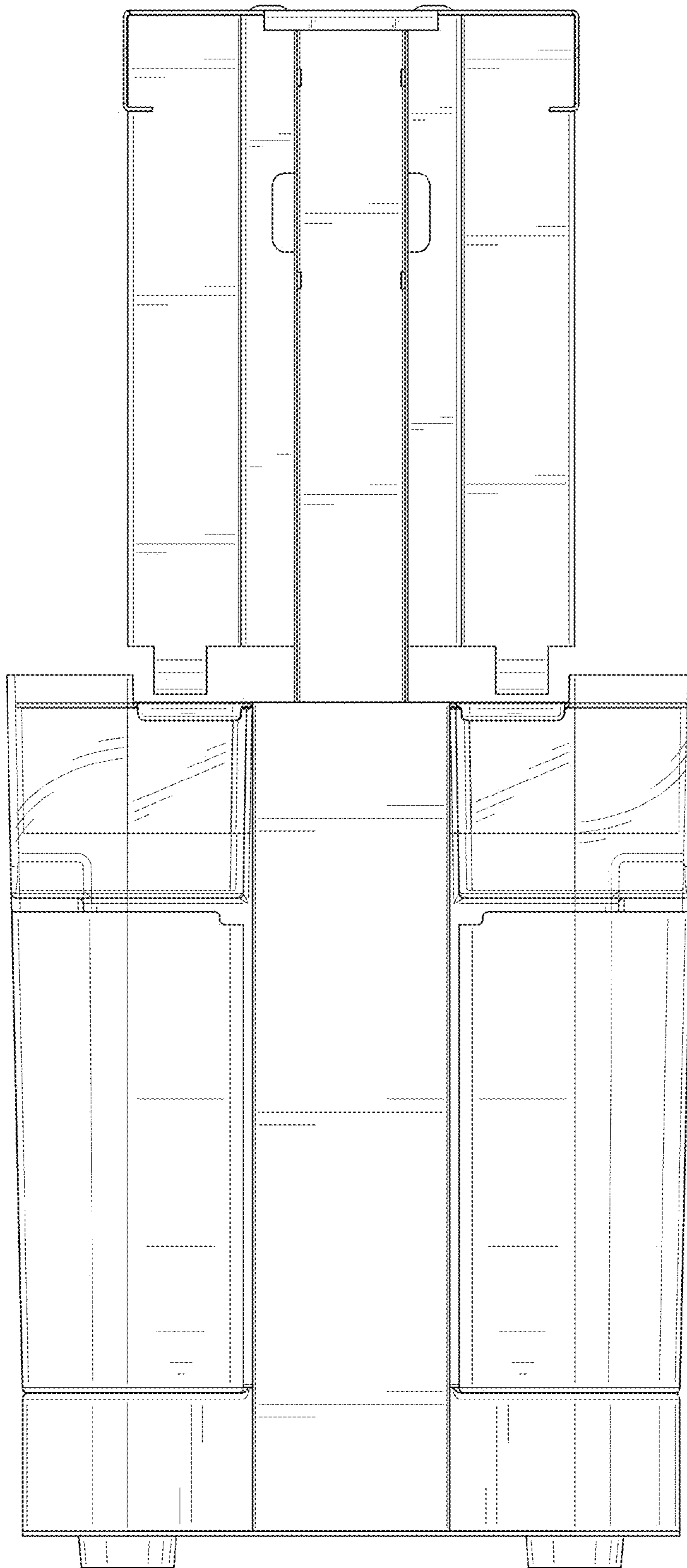


FIG. 26

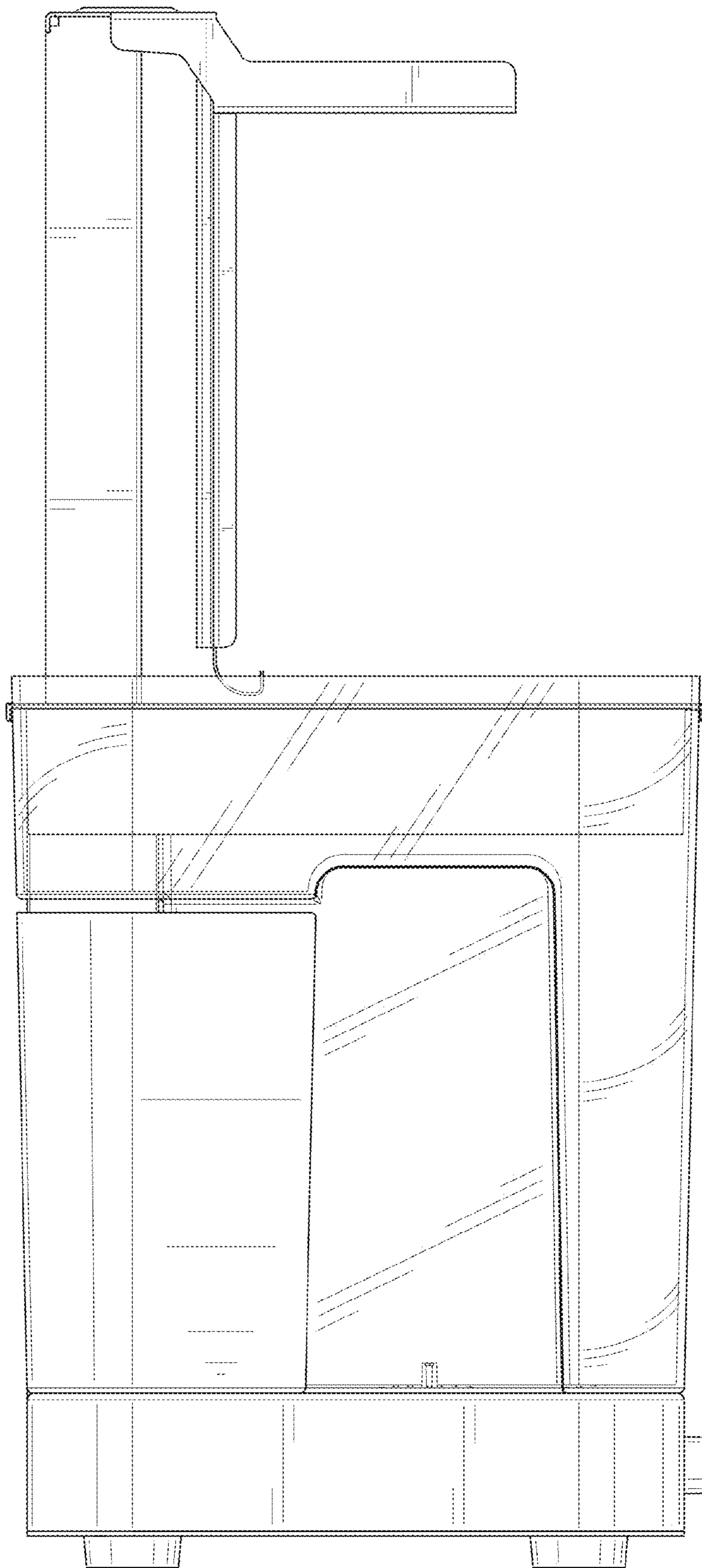


FIG. 27

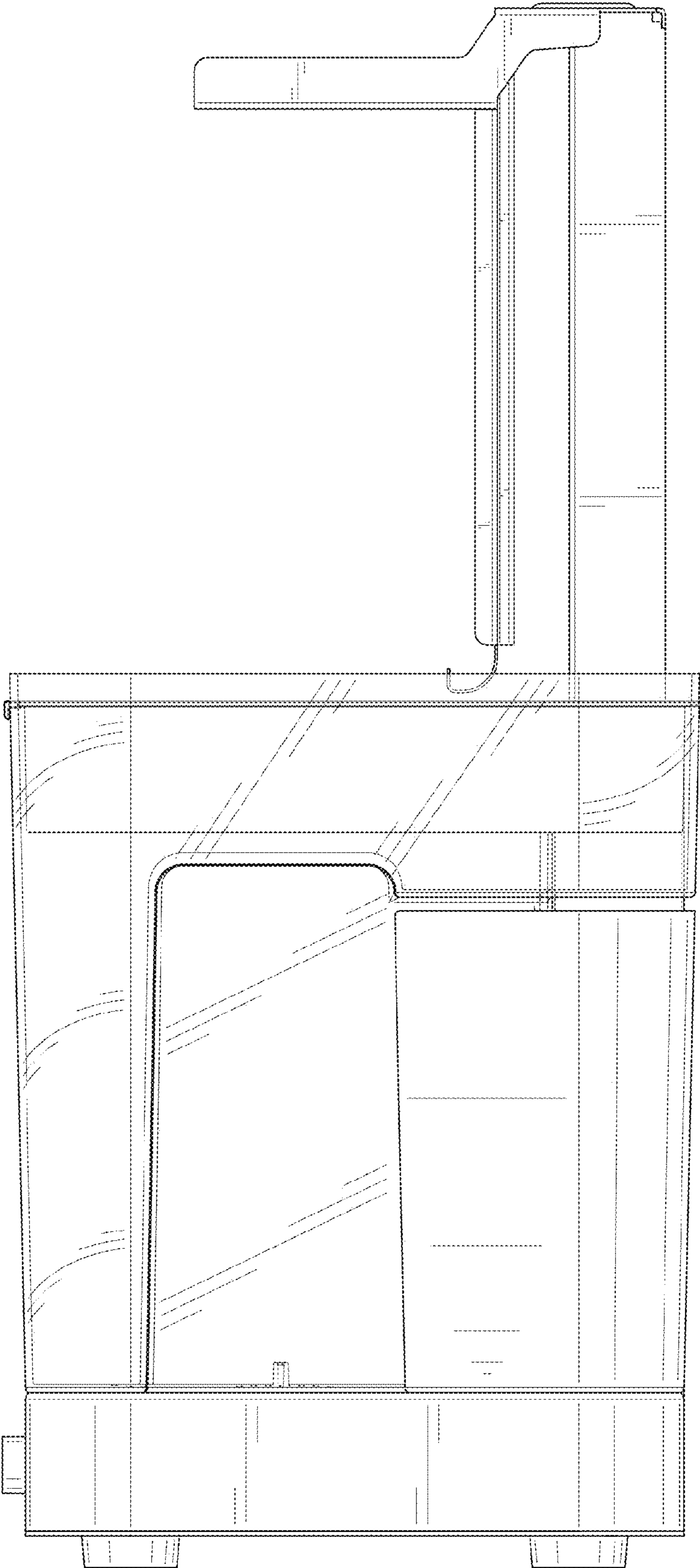


FIG. 28

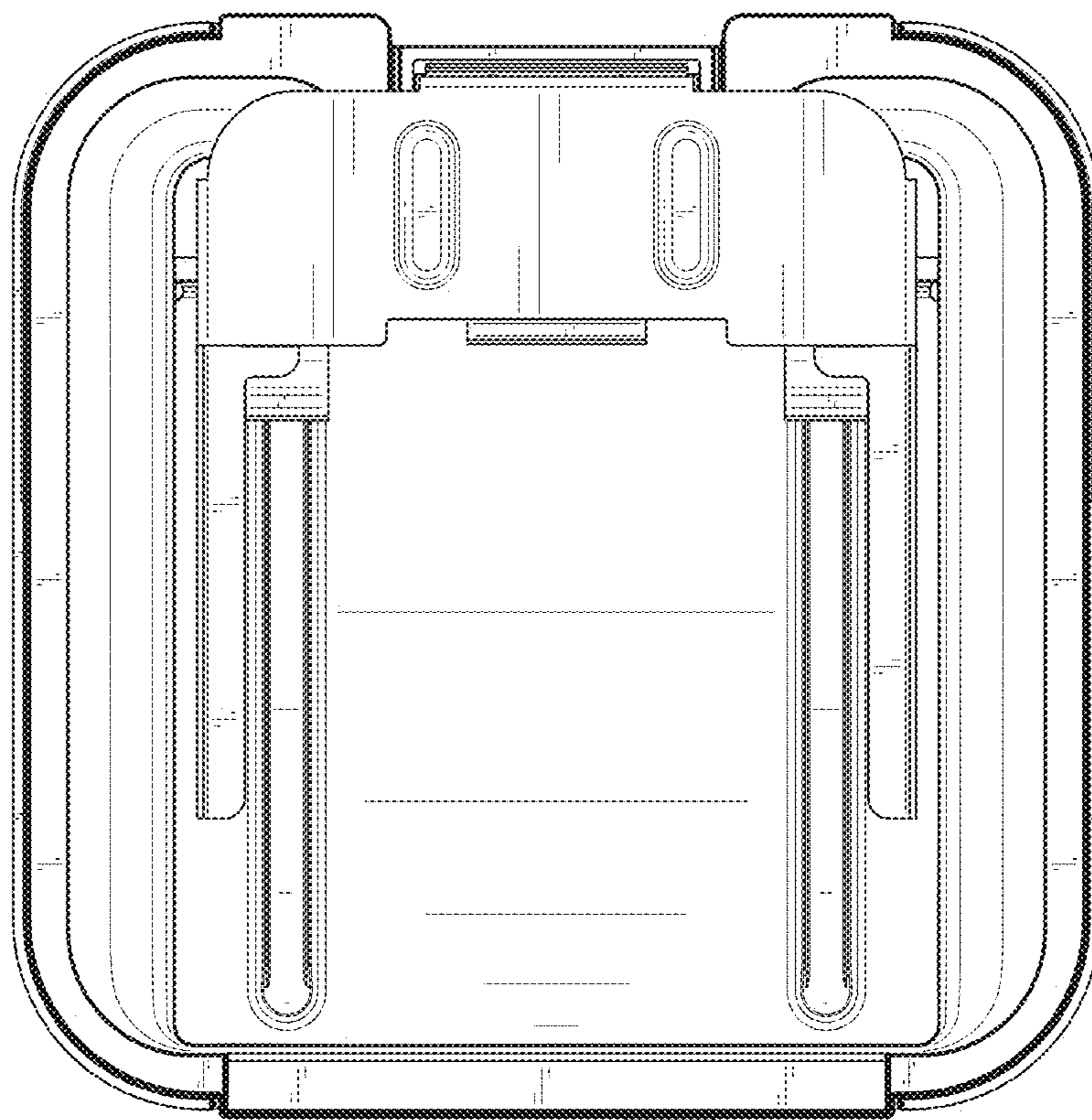


FIG. 29

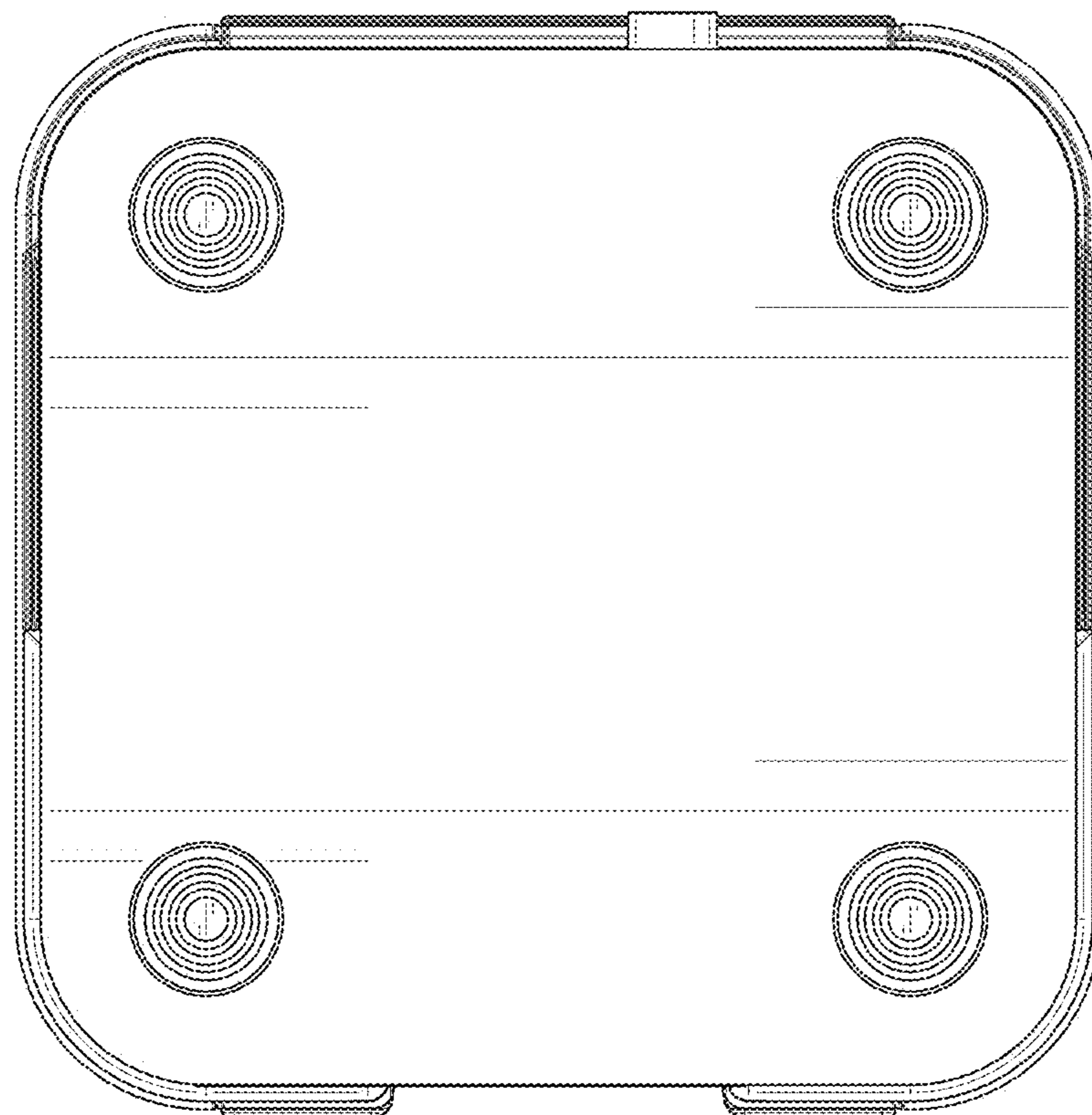


FIG. 30

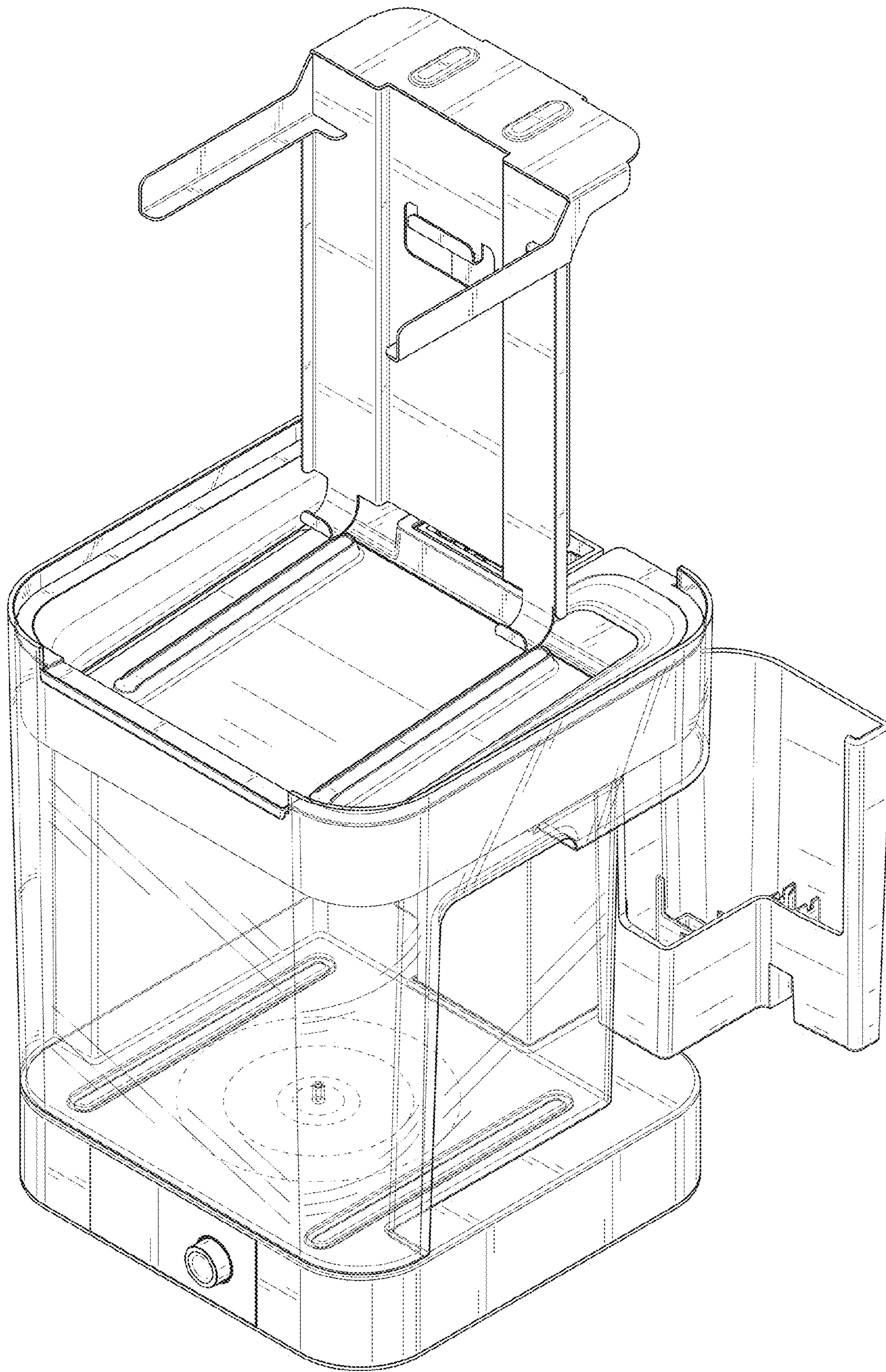


FIG. 31

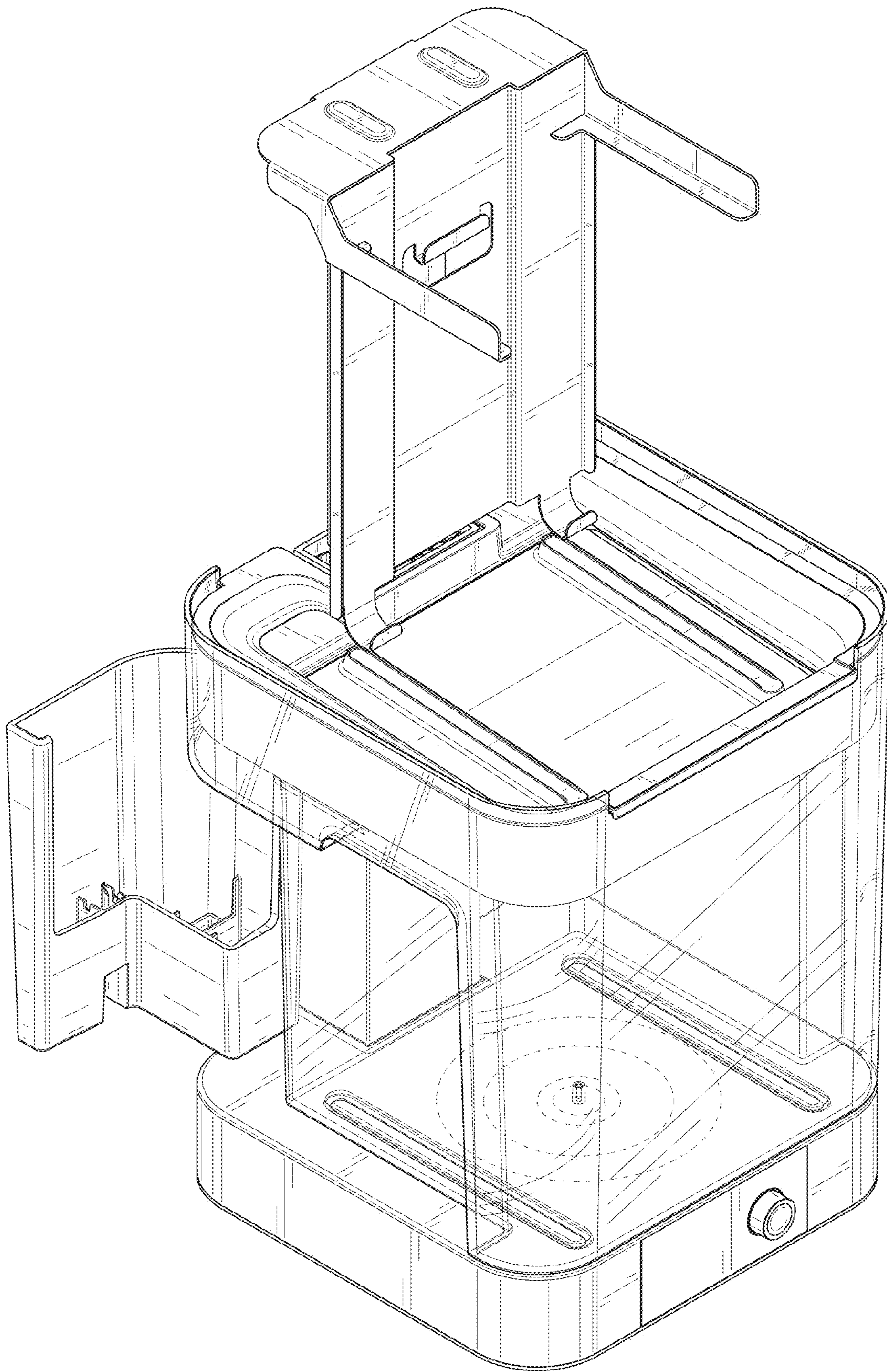


FIG. 32

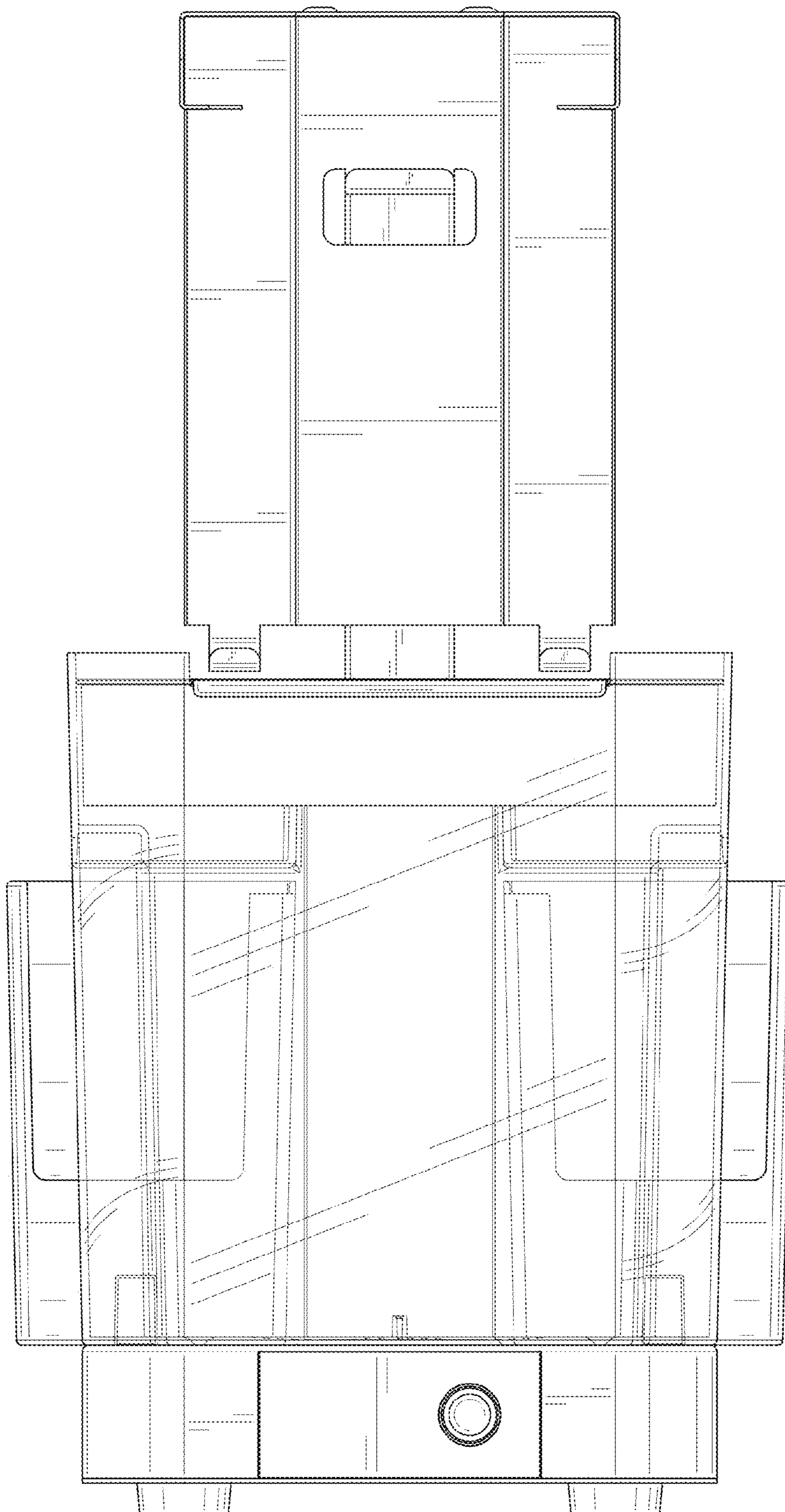


FIG. 33

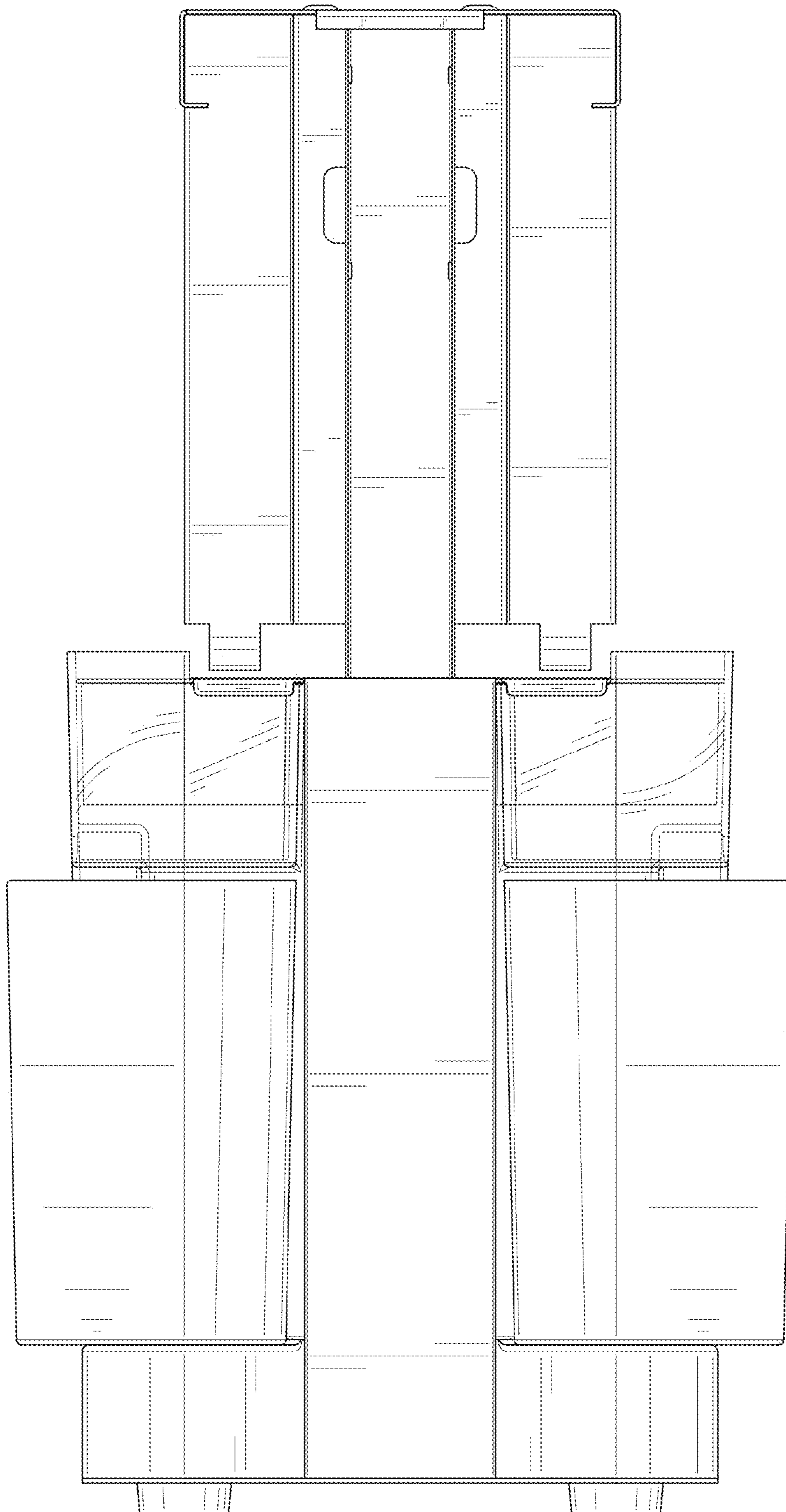


FIG. 34

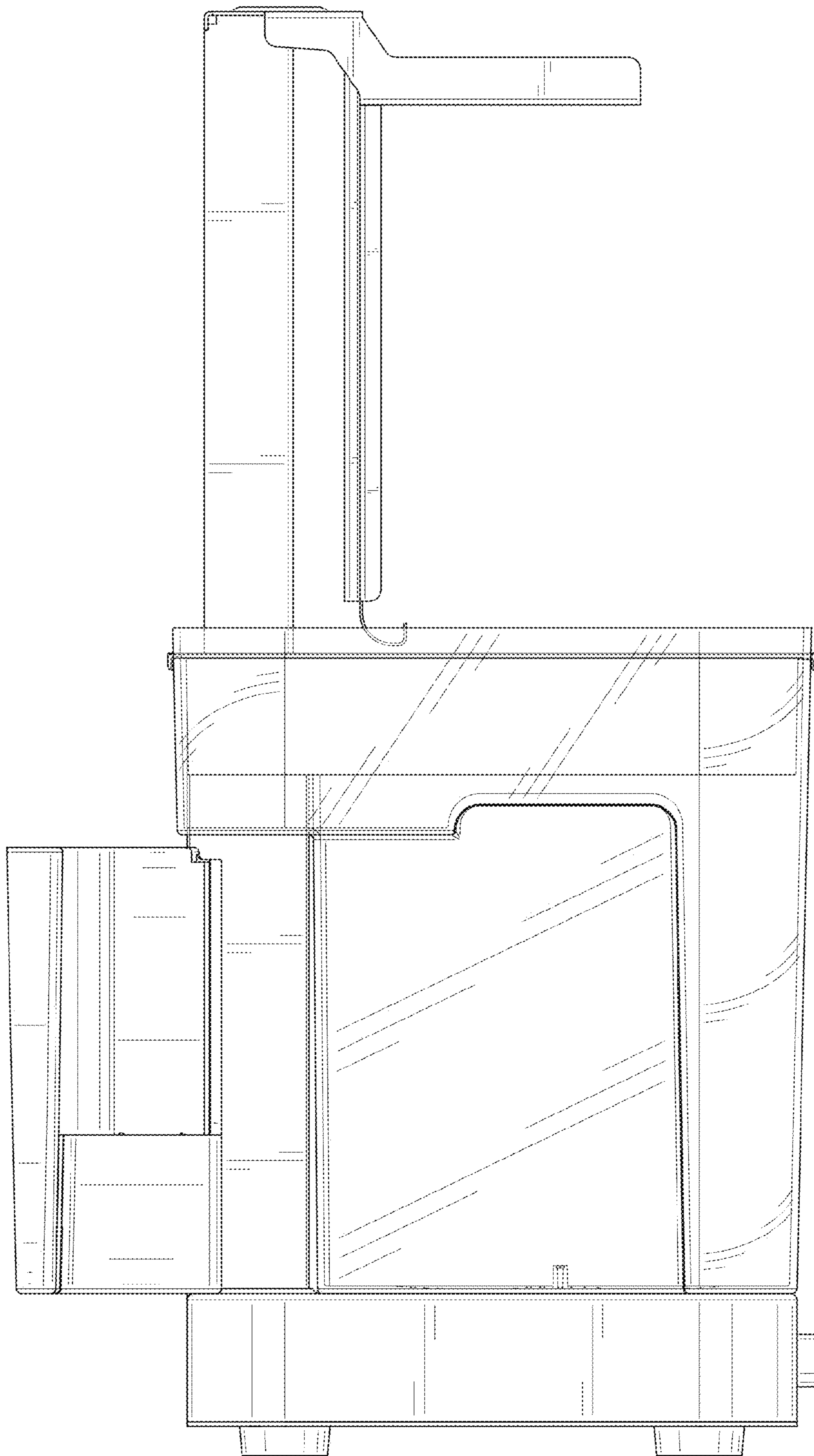


FIG. 35

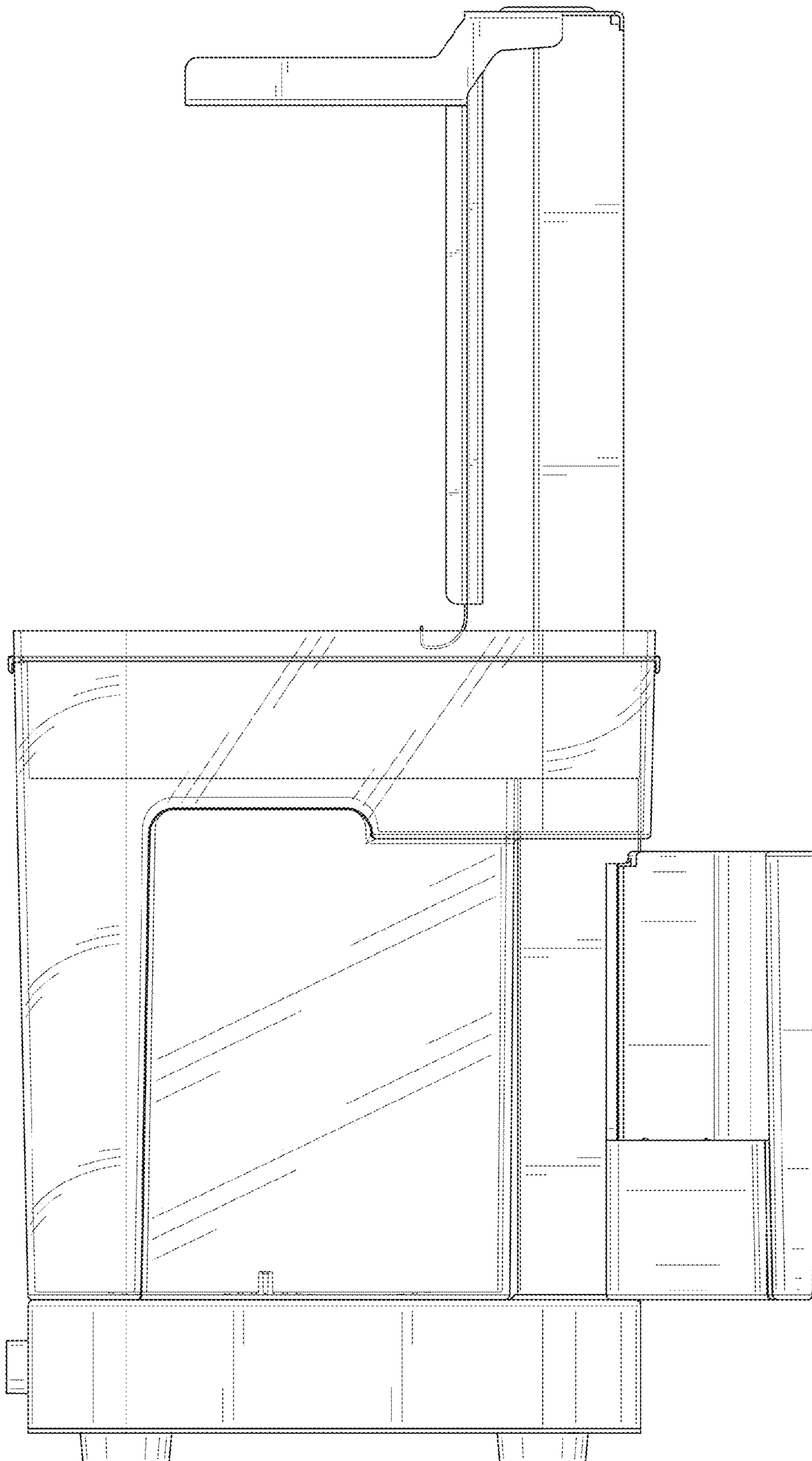


FIG. 36

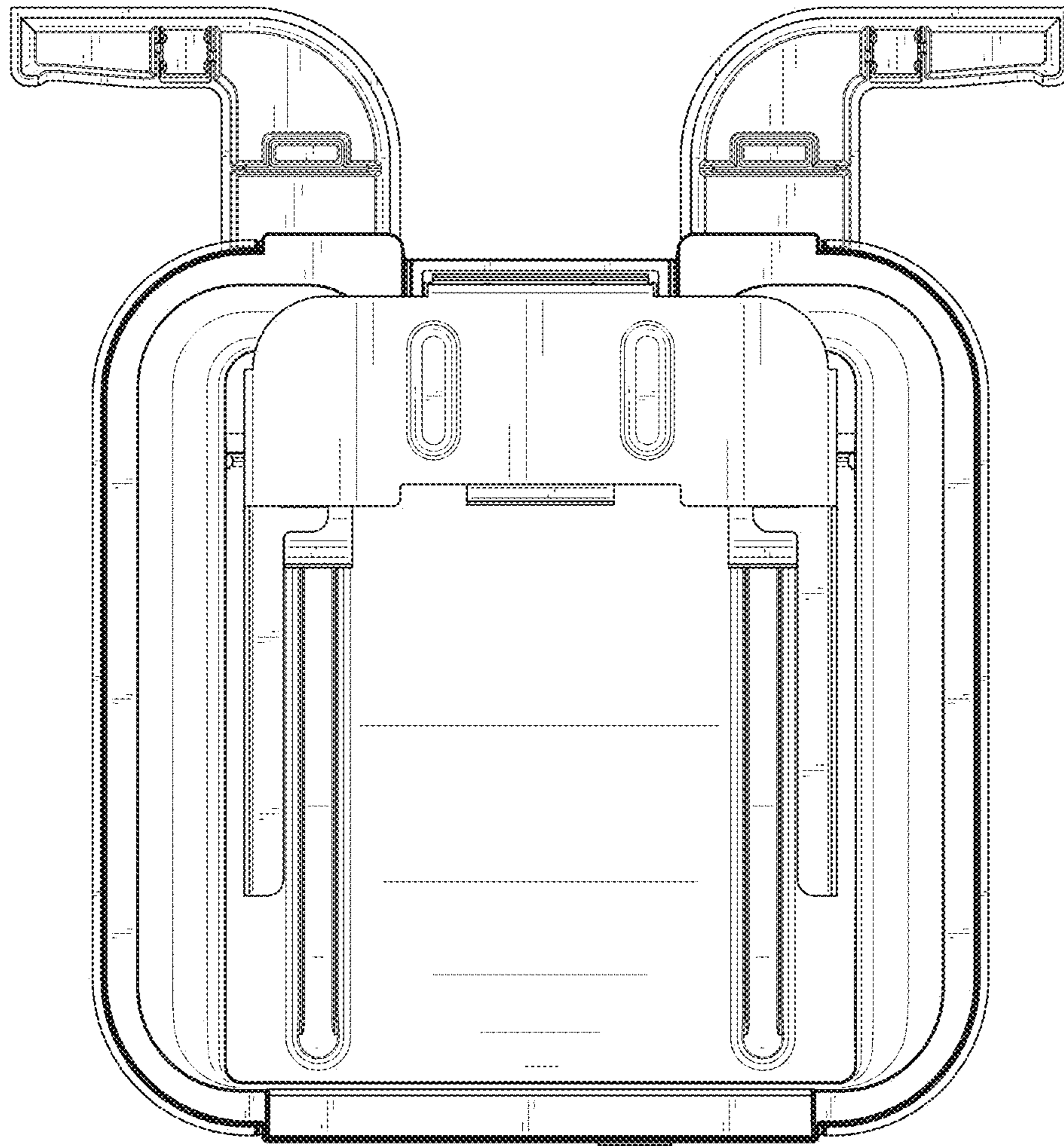


FIG. 37

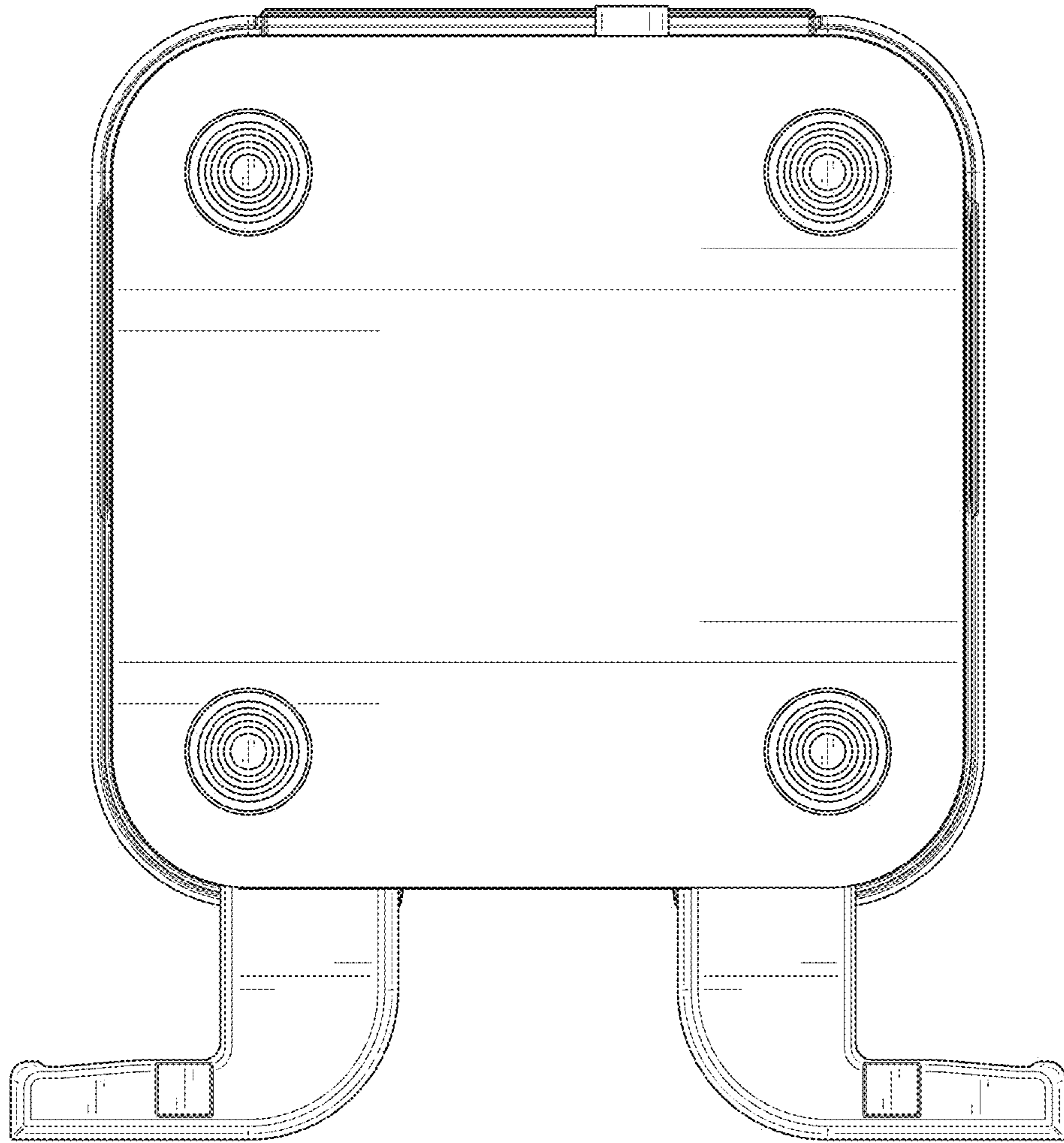


FIG. 38

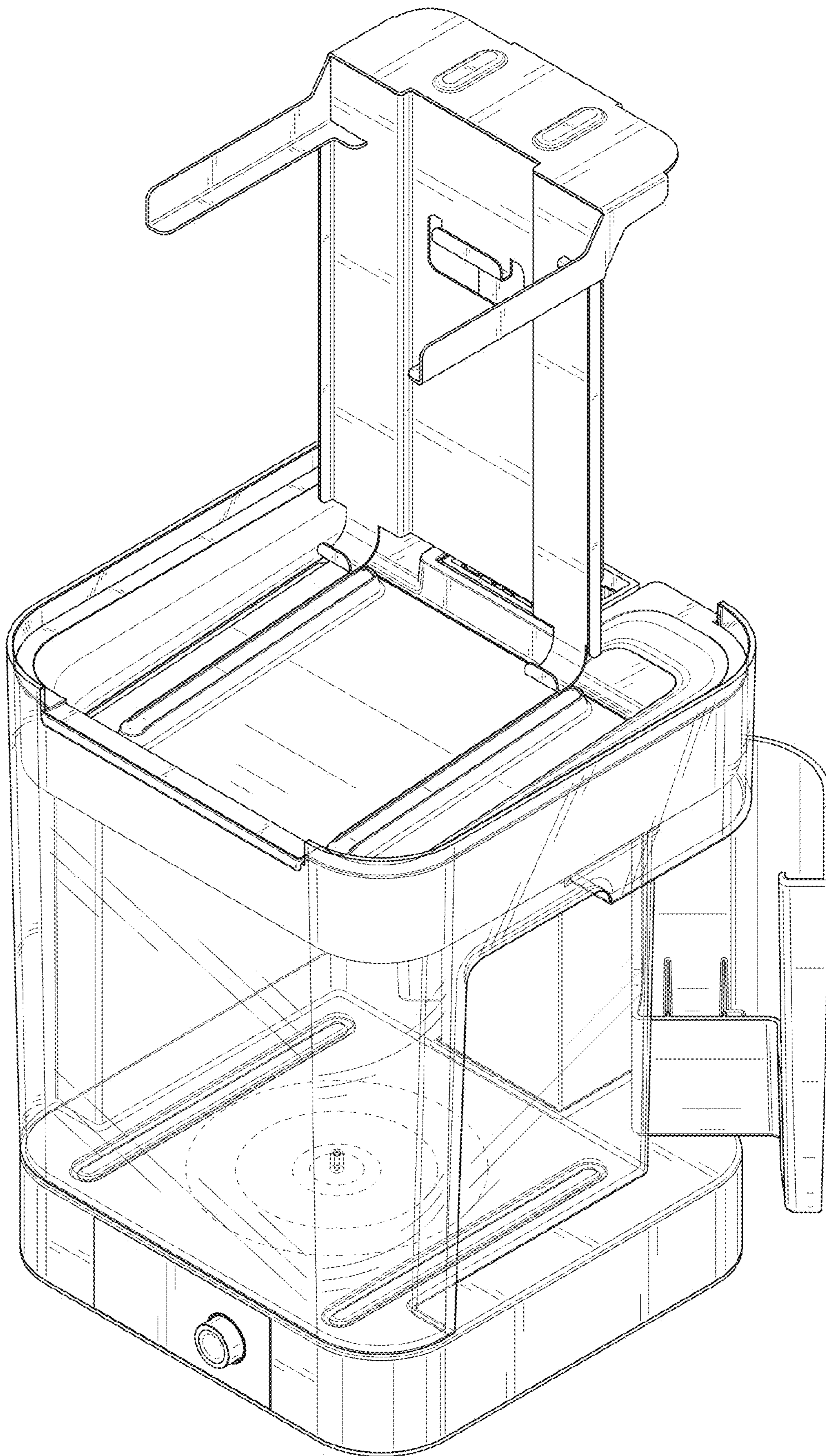


FIG. 39

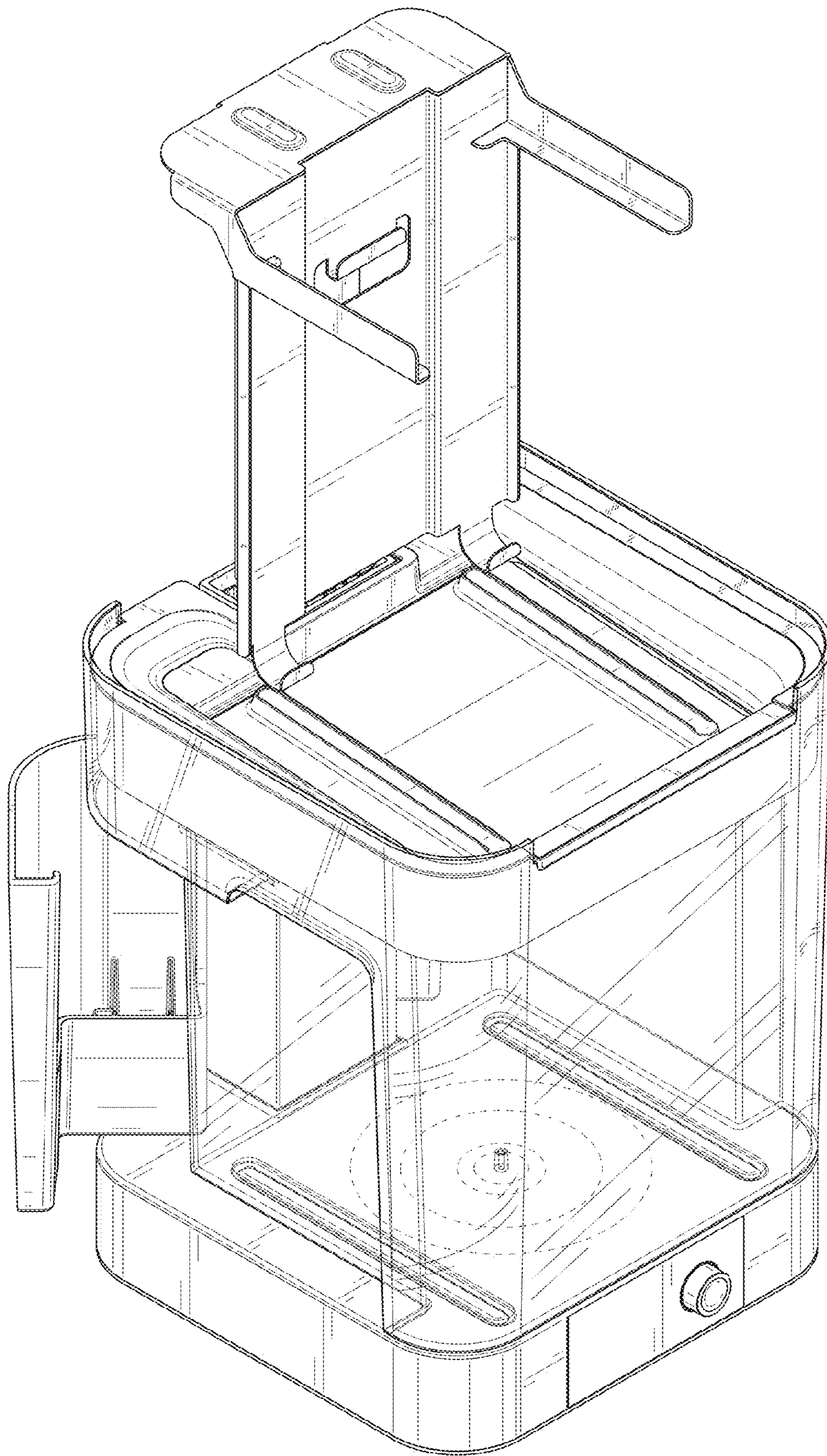


FIG. 40