



US00D883585S

(12) **United States Design Patent** (10) **Patent No.:** **US D883,585 S**
Song (45) **Date of Patent:** **** May 5, 2020**

(54) **CAT TREE**

(71) Applicant: **AMEZIEL INC**, Ontario, CA (US)

(72) Inventor: **Chuan Song**, Zhengzhou (CN)

(**) Term: **15 Years**

(21) Appl. No.: **29/660,666**

(22) Filed: **Aug. 22, 2018**

(51) **LOC (12) Cl.** **30-99**

(52) **U.S. Cl.**
USPC **D30/160**

(58) **Field of Classification Search**
USPC D30/108, 118, 119, 130, 158; 119/28.5,
119/452, 453, 482, 498, 499, 702, 708;
D6/349-350; D21/826
CPC A01K 1/033; A01K 15/024; A01K 15/025;
A01K 15/26; A01K 15/27; A61J 17/00;
B65D 17/163; B65D 17/165

See application file for complete search history.

(56) **References Cited**

U.S. PATENT DOCUMENTS

D257,293 S *	10/1980	Michalski	D30/158
D261,186 S *	10/1981	Michalski	D30/158
D406,678 S *	3/1999	Rittenhouse	D30/108
6,966,277 B2 *	11/2005	Deraspe-Bolles	...	A01K 15/024
				119/702
D611,204 S *	3/2010	Slater	D30/160
D665,540 S *	8/2012	Kilroy	A01K 63/003
				D30/104
D677,022 S *	2/2013	Cirincione	D30/160
D774,707 S *	12/2016	Kellogg	D30/160
D846,206 S *	4/2019	He	D30/160
D846,818 S *	4/2019	He	D30/160
2011/0155073 A1 *	6/2011	Kilroy	A01K 15/024
				119/247
2019/0230896 A1 *	8/2019	Goldman	A01K 1/033

OTHER PUBLICATIONS

“Feandrea Cat Tree Condo With Scratching Posts Kitty Tower Furniture” available Aug. 26, 2019, [online], [site visited Aug. 26, 2019]. Retrieved from Internet, URL:https://www.houzz.com/products/feandrea-cat-tree-condo-with-scratching-posts-kitty-tower-furniture-smoky-gray-prvw-vr-143832745 (Year: 2019).*
“Medium Grey Cat Tower” available Sep. 19, 2018, [online], [site visited Aug. 26, 2019]. Retrieved from Internet, URL:https://www.songmics.com/medium-smokey-grey-cat-tower-upct25g.html (Year: 2018).*

* cited by examiner

Primary Examiner — Michael C Stout
Assistant Examiner — Katrina N Gonzalez
(74) *Attorney, Agent, or Firm* — Tsz Lung Yeung

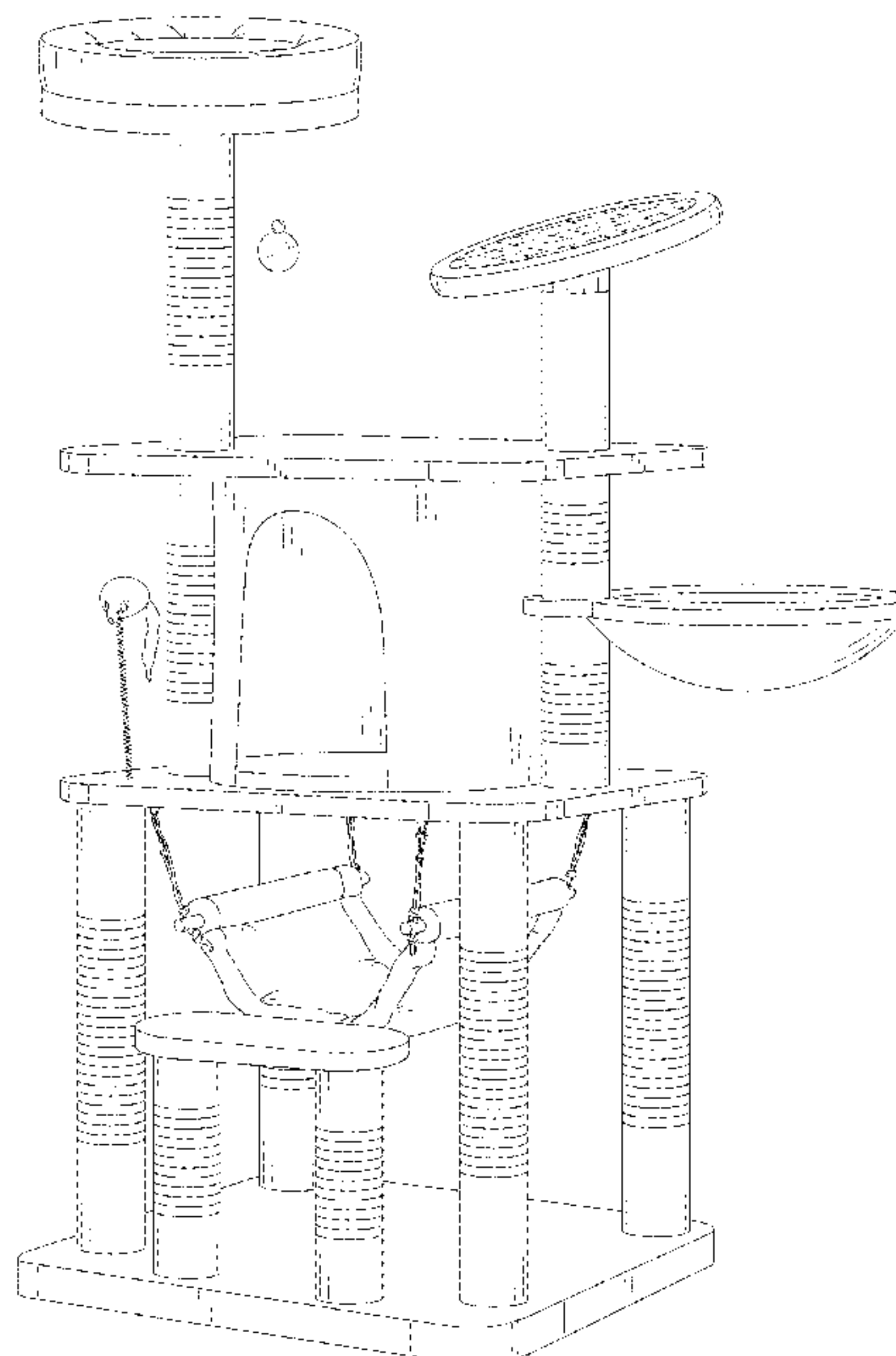
(57) **CLAIM**

The ornamental design for a cat tree, as shown and described.

DESCRIPTION

FIG. 1 is a perspective view of a cat tree showing my new design;
FIG. 2 is a front view thereof;
FIG. 3 is a rear view thereof;
FIG. 4 is a right side view thereof;
FIG. 5 is a left side view thereof;
FIG. 6 is a top view thereof; and,
FIG. 7 is a bottom view thereof.
The broken lines illustrate portions of the cat tree that form no part of the claimed design.

1 Claim, 7 Drawing Sheets



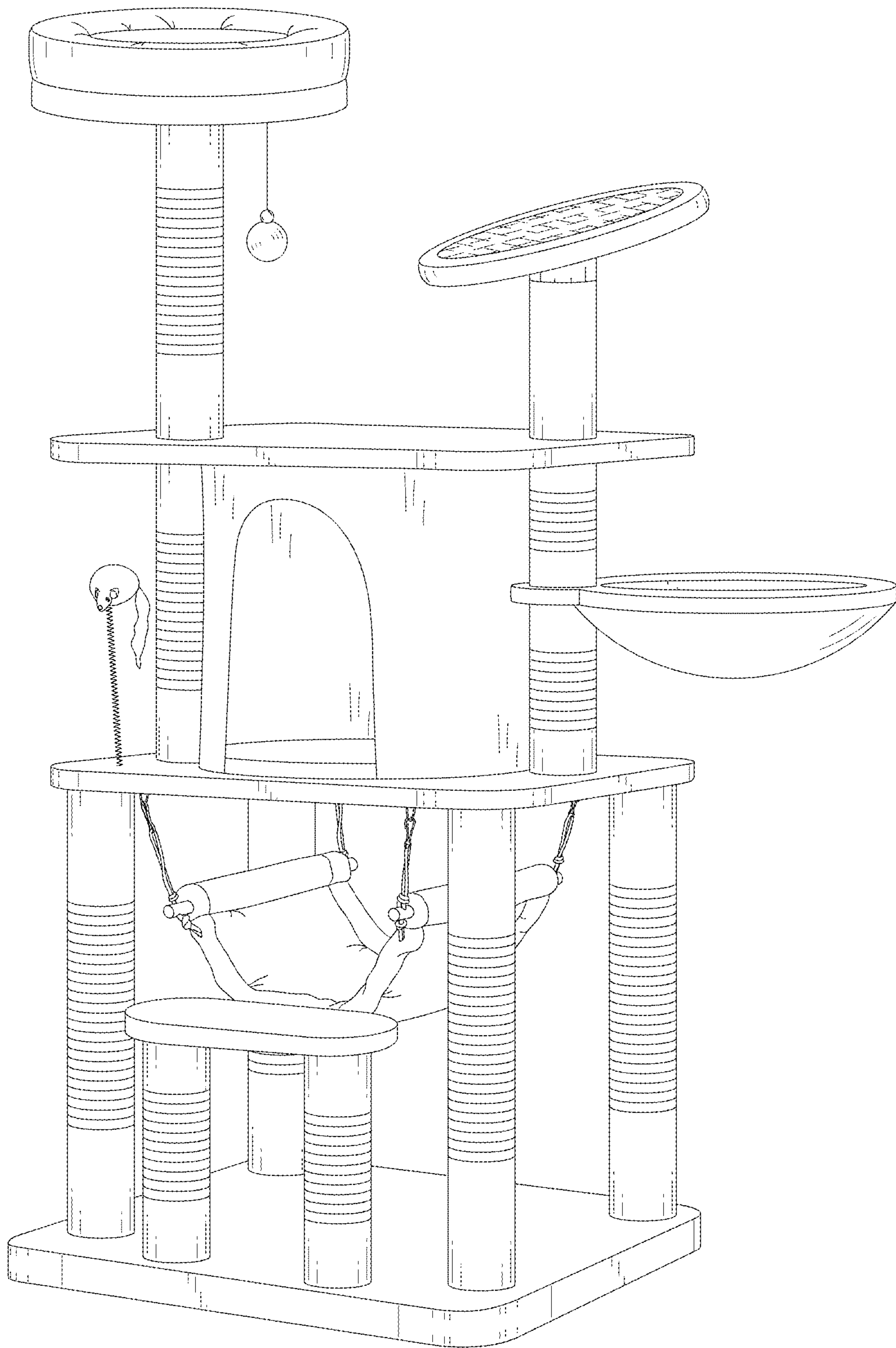


FIG. 1

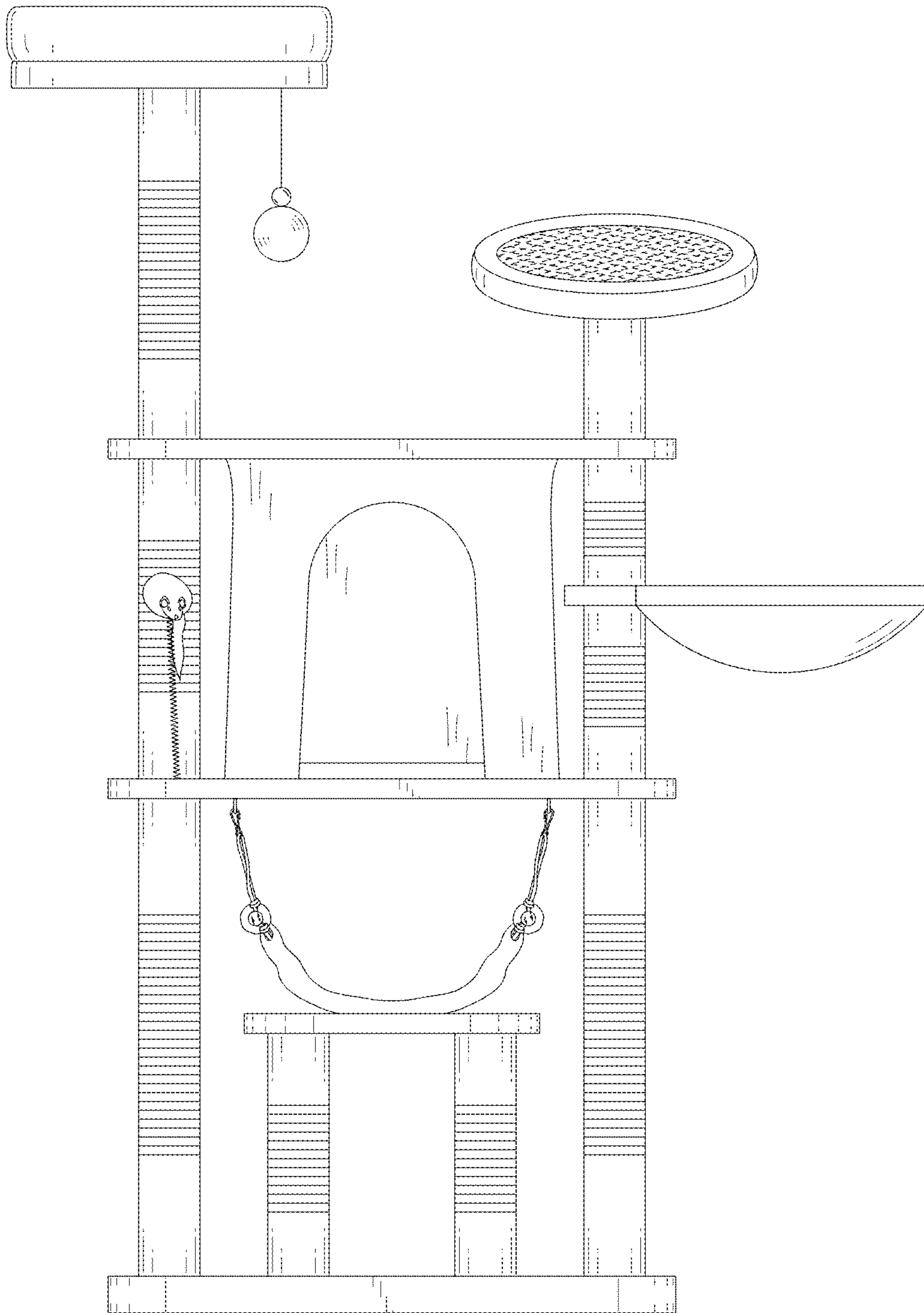


FIG. 2

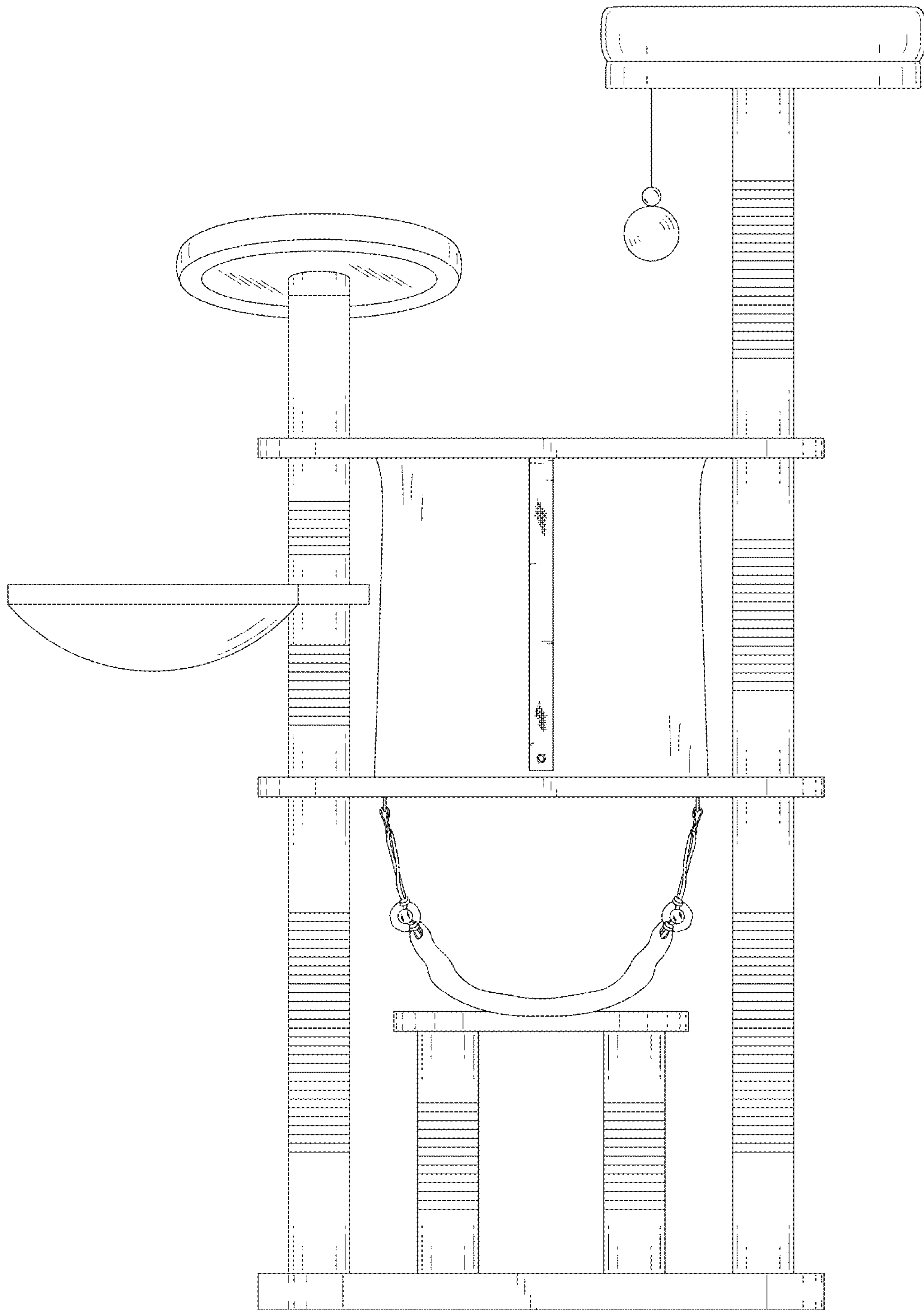


FIG. 3

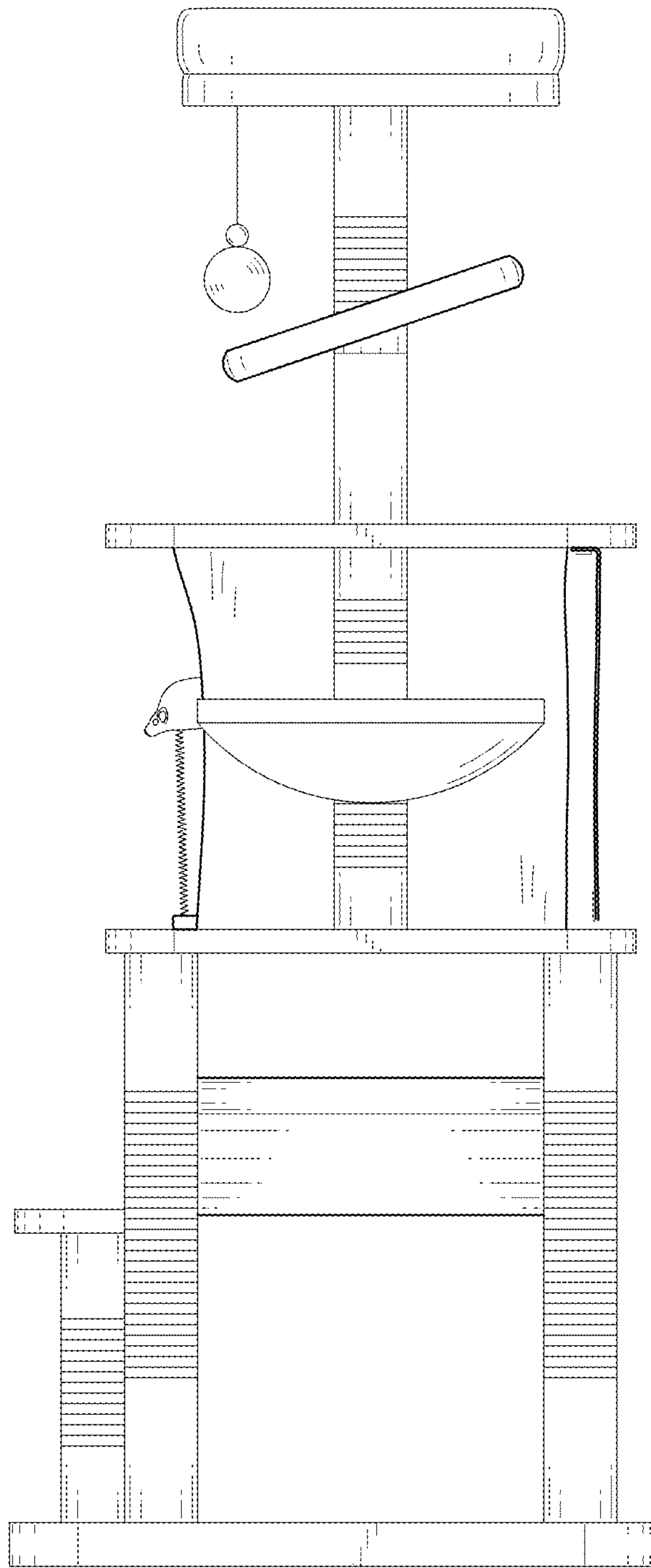


FIG. 4

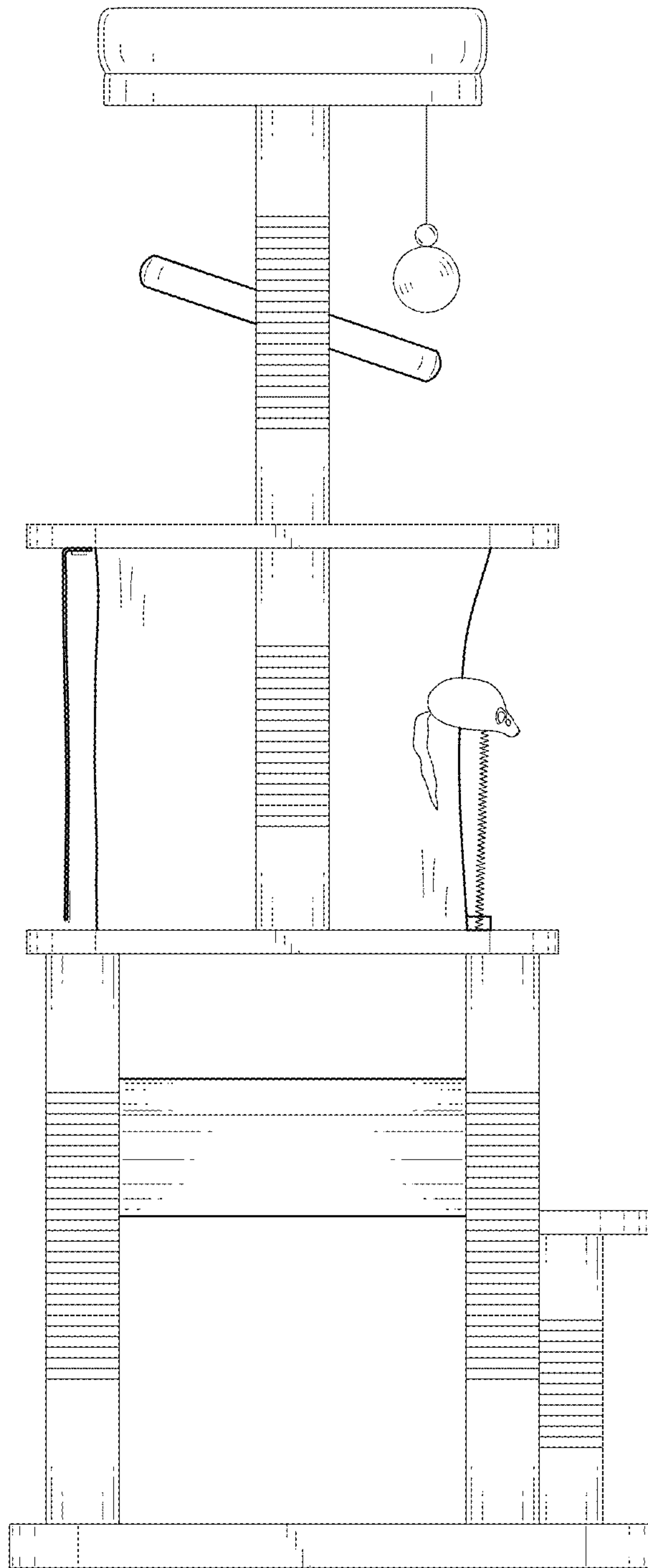


FIG. 5

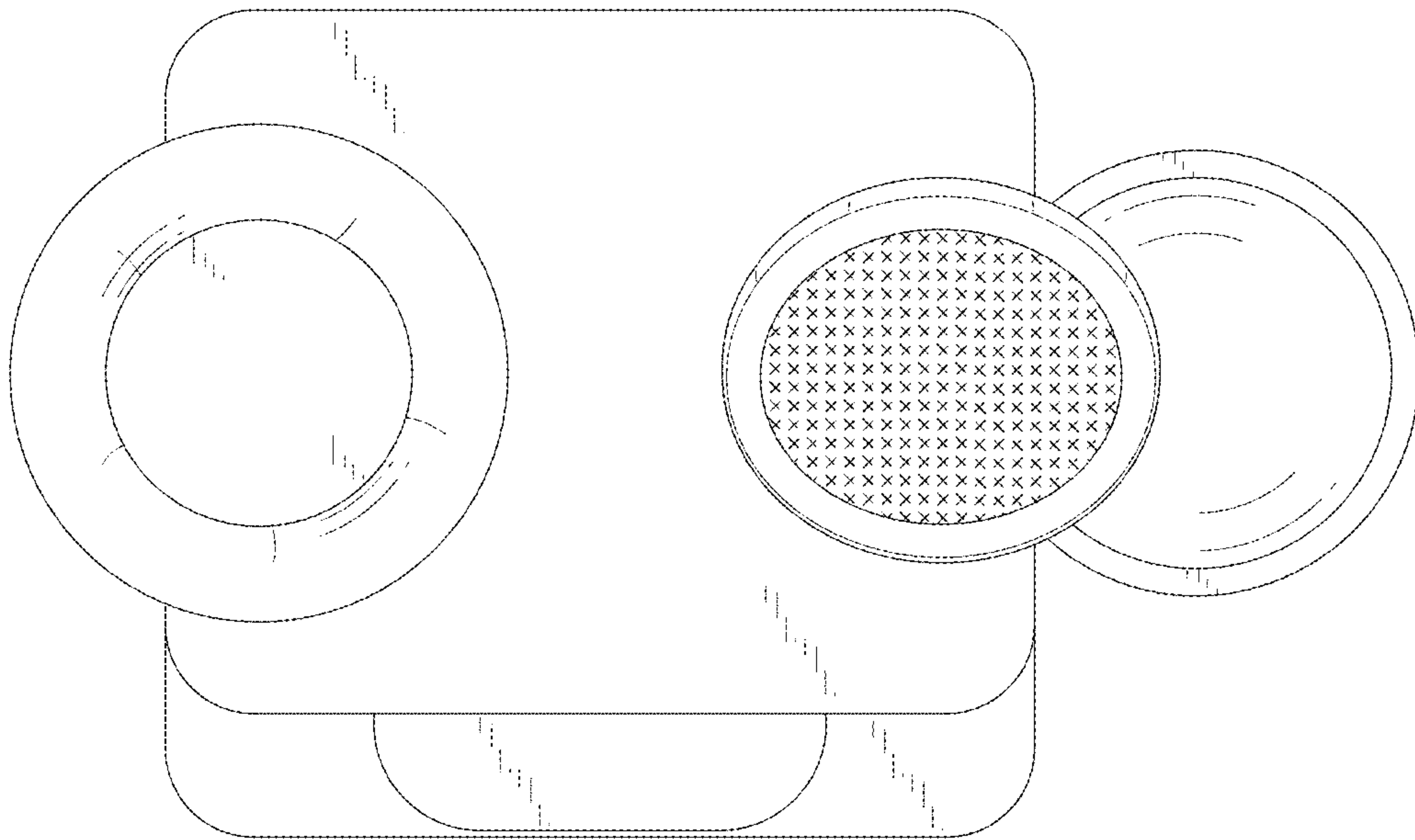


FIG.6

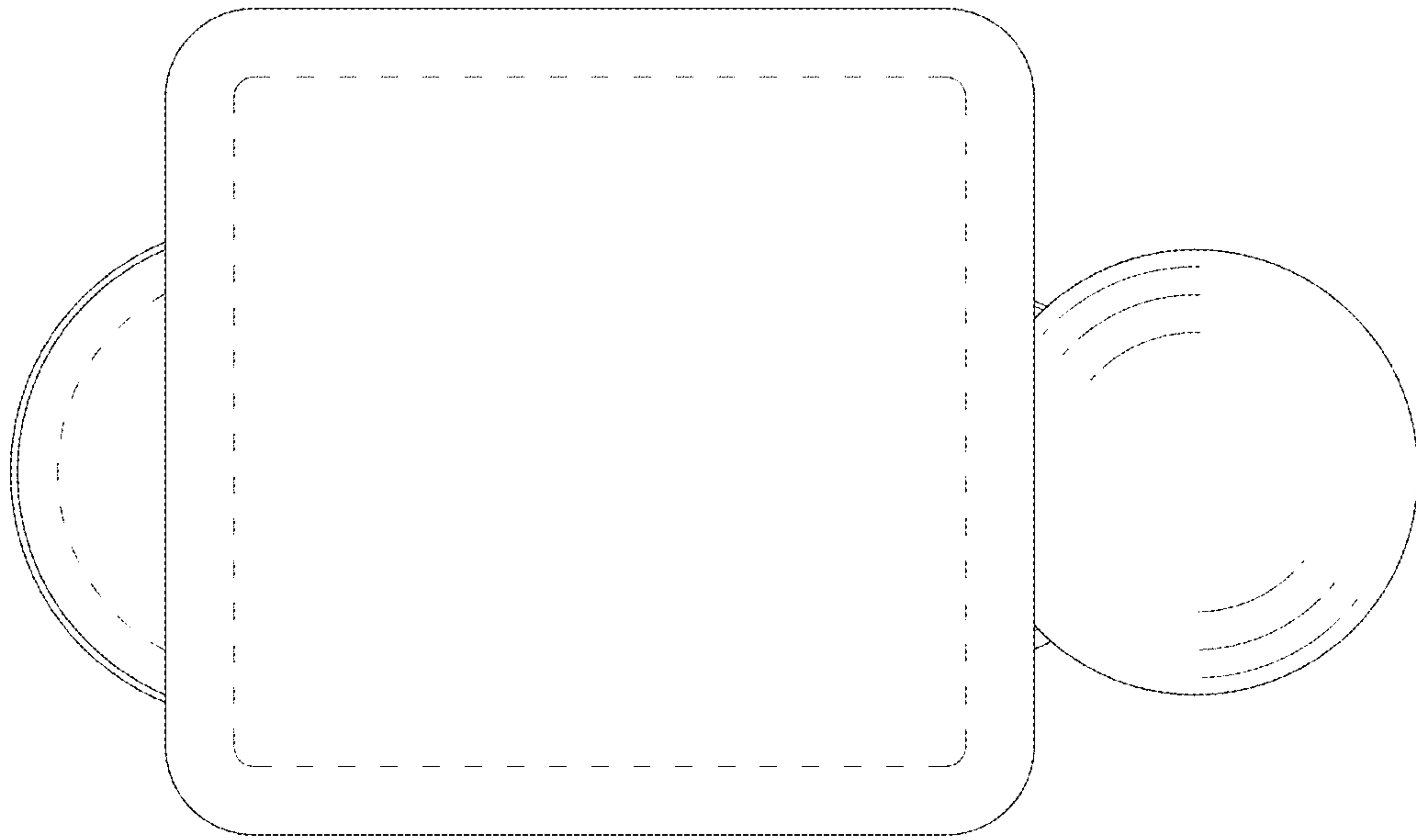


FIG. 7