



US00D883581S

(12) **United States Design Patent**
Daly et al.

(10) **Patent No.:** **US D883,581 S**
(45) **Date of Patent:** **** May 5, 2020**

(54) **REVERSIBLE HARNESS**

(71) Applicant: **Frenchie Bulldog, LLC**, La Jolla, CA
(US)

(72) Inventors: **Bridget Daly**, La Jolla, CA (US);
Austin Stevens, Salt Lake City, UT
(US)

(**) Term: **15 Years**

(21) Appl. No.: **29/675,765**

(22) Filed: **Jan. 4, 2019**

(51) **LOC (12) Cl.** **30-04**

(52) **U.S. Cl.**
USPC **D30/152**

(58) **Field of Classification Search**
USPC D30/144, 145, 151, 152, 199; D24/190;
D29/101.1, 101.3, 101.5
CPC A01K 27/002
See application file for complete search history.

(56) **References Cited**

U.S. PATENT DOCUMENTS

1,906,043 A	4/1933	Bernstein	
2,605,744 A	8/1952	Urbanski	
5,611,298 A *	3/1997	Sporn	A01K 27/002 119/792
5,630,382 A	5/1997	Barbera et al.	
5,738,043 A	4/1998	Manuel	
D621,561 S	8/2010	Siklosi et al.	
D633,257 S	2/2011	Trias	
D638,176 S *	5/2011	Mugford	D30/152
D652,581 S *	1/2012	Evans	D30/152

(Continued)

FOREIGN PATENT DOCUMENTS

WO	WO92/02128	2/1992
WO	WO98/29281	7/1998

OTHER PUBLICATIONS

“Frenchie Bulldog Pet Supply on Instagram”. Found online Jan. 30, 2019 at [instagram.com](https://www.instagram.com/p/BVcmk5XjiE4/). Page dated Jun. 17, 2017. Retrieved from <https://www.instagram.com/p/BVcmk5XjiE4/>.*

(Continued)

Primary Examiner — Kendra Leslie Hamilton
(74) *Attorney, Agent, or Firm* — Buche & Associates, P.C.; Bryce A. Johnson; John K. Buche

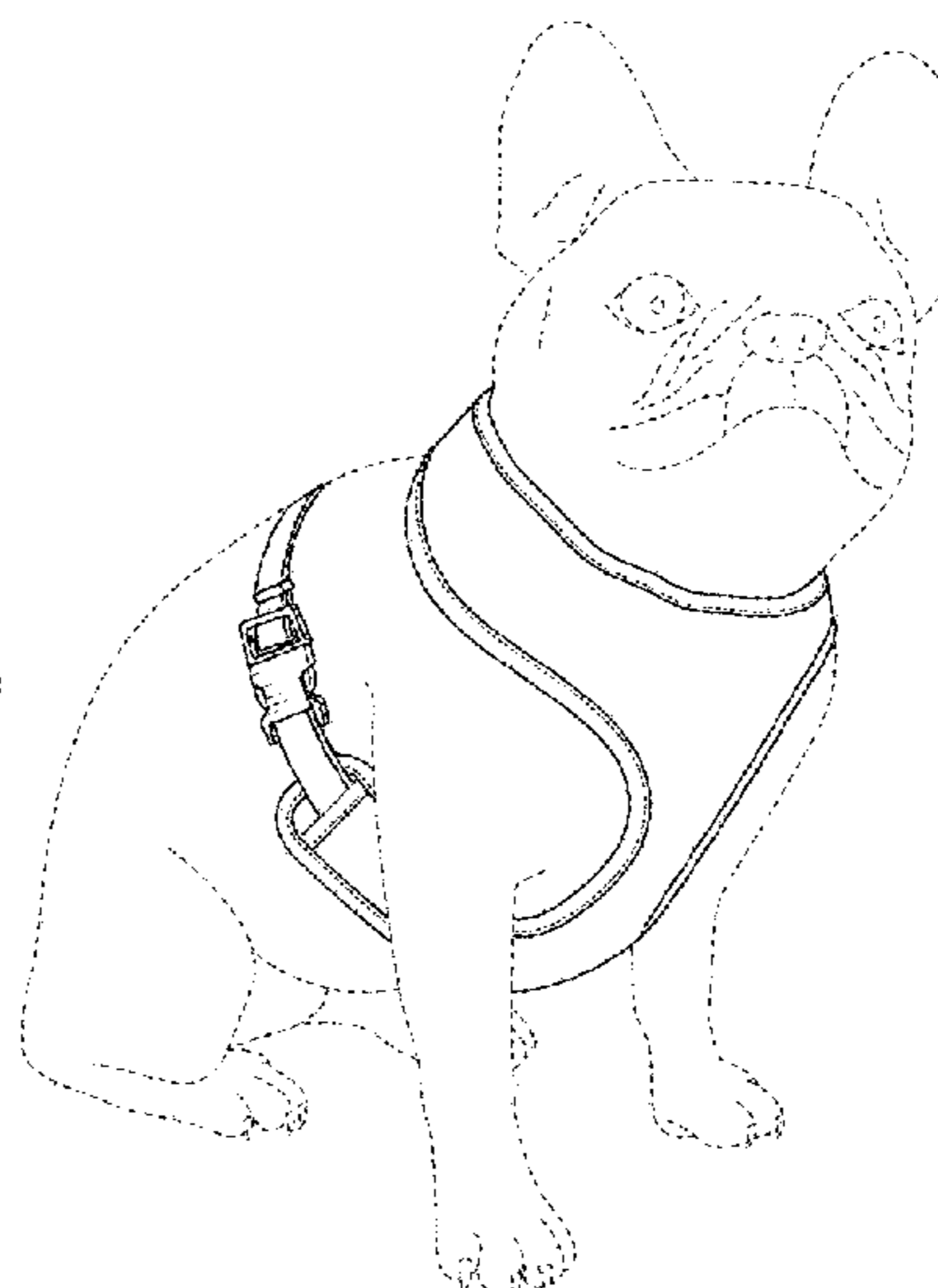
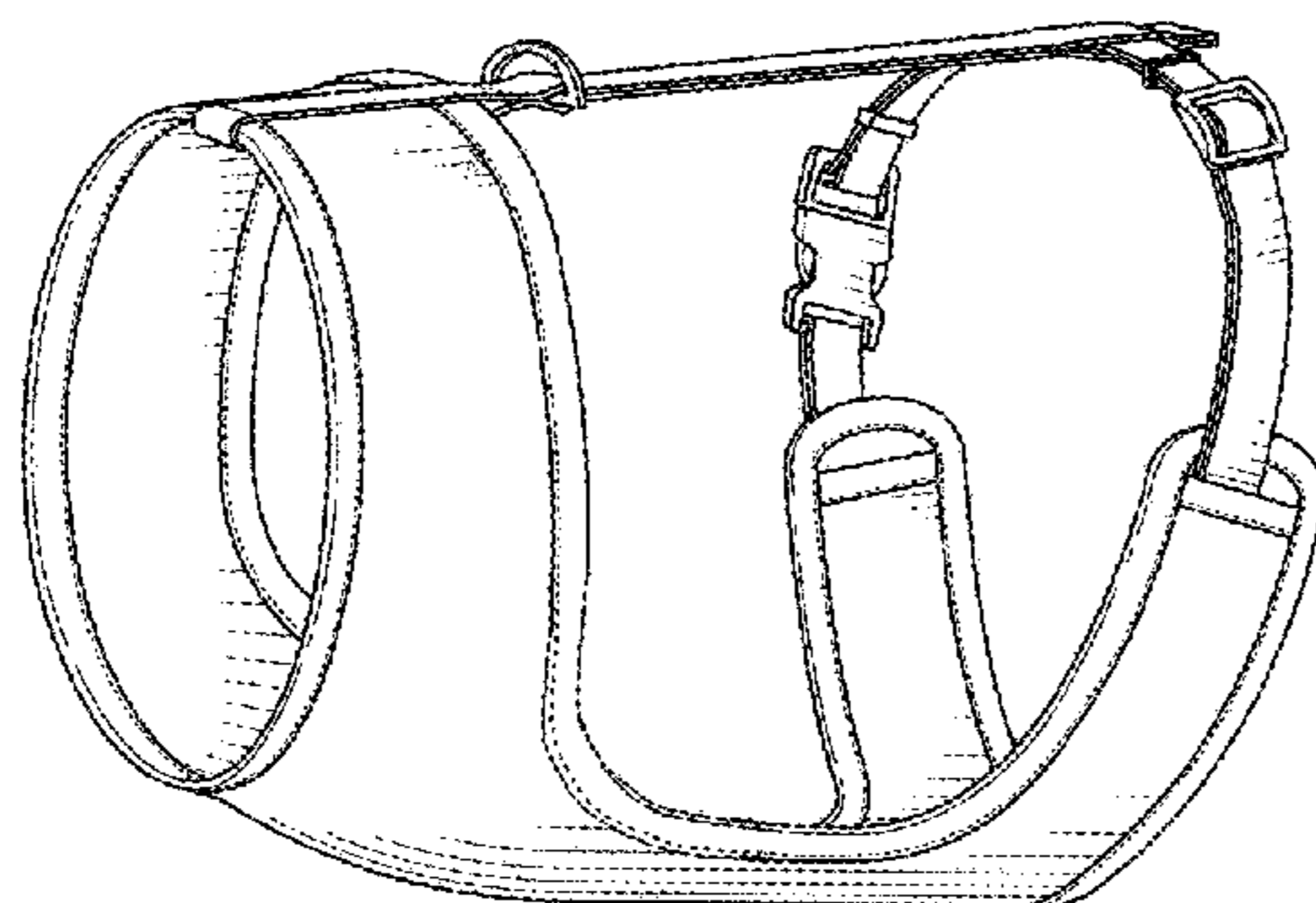
(57) **CLAIM**

We claim the ornamental design for a reversible harness, as shown and described.

DESCRIPTION

FIG. 1 is a top, front, left perspective view of a reversible harness, showing our new design in a first configuration; FIG. 2 is a front elevation view thereof; FIG. 3 is a rear elevation view thereof; FIG. 4 is a top plan view thereof; FIG. 5 is a bottom plan view thereof; FIG. 6 is a bottom, front, right perspective view of the reversible harness of FIG. 1, shown in a condition of use; FIG. 7 is a bottom, front, left perspective view thereof; FIG. 8 is a top, front, right perspective view of the reversible harness of FIG. 1, shown inside-out in a second configuration; FIG. 9 is a front elevation view thereof; FIG. 10 is a rear elevation view thereof; FIG. 11 is a top plan view thereof; FIG. 12 is a bottom plan view thereof; FIG. 13 is a bottom, front, right perspective view of the reversible harness of FIG. 8, shown in a condition of use; and, FIG. 14 is a bottom, front, left perspective view thereof. The broken lines showing a dog in FIGS. 6, 7, 13, 14 depict environmental matter and form no part of the claimed design. In all of the drawings, the broken lines on the pet harness depict stitching that forms no part of the claimed design.

1 Claim, 8 Drawing Sheets



(56)

References Cited

U.S. PATENT DOCUMENTS

8,261,699 B2 9/2012 Cho
 D677,841 S 3/2013 Gibbs
 D681,287 S * 4/2013 Collignon D30/144
 D701,007 S * 3/2014 Krupich D30/152
 D713,996 S * 9/2014 Collett D29/101.1
 D753,350 S * 4/2016 Thitz D30/144
 D776,287 S * 1/2017 Leonard D24/190
 D791,991 S 7/2017 Brauser et al.
 D805,261 S * 12/2017 Yun D30/152
 D823,556 S 7/2018 Yun
 2008/0223311 A1 * 9/2008 Ito A01K 27/002
 119/792
 2010/0263602 A1 * 10/2010 Cho A01K 27/002
 119/792
 2011/0271913 A1 * 11/2011 Min A01K 27/002
 119/856
 2013/0014705 A1 1/2013 Cho
 2013/0128556 A1 5/2013 Brauser et al.

2015/0320011 A1* 11/2015 Thorne A01K 27/003
 119/792

OTHER PUBLICATIONS

“Frenchie Duo Reversible Harness—Cheese Please!”. Found online Jan. 30, 2019 at frenchiebulldog.com. Page dated Dec. 12, 2016. Retrieved from <https://web.archive.org/web/20161212115228/https://frenchiebulldog.com/collections/the-new-frenchie-reversible-harness>.*
 “Park Lane Pup on Facebook”. Found online Jan. 30, 2019 at facebook.com. Page dated Dec. 23, 2017. Retrieved from <https://www.facebook.com/parklanepup/photos/a.910062999146286/955235171295735/?type=3&theater>.*
 “Coastal Comfort Soft Adjustable Dog Harness”. Found online Jan. 30, 2019 at amazon.com. Page dated Jul. 9, 2013. Retrieved from https://www.amazon.com/Coastal-Comfort-Soft-Adjustable-Harness/dp/B0027JAPWA/ref=cm_cr_arp_d_product_top?ie=UTF8.*

* cited by examiner

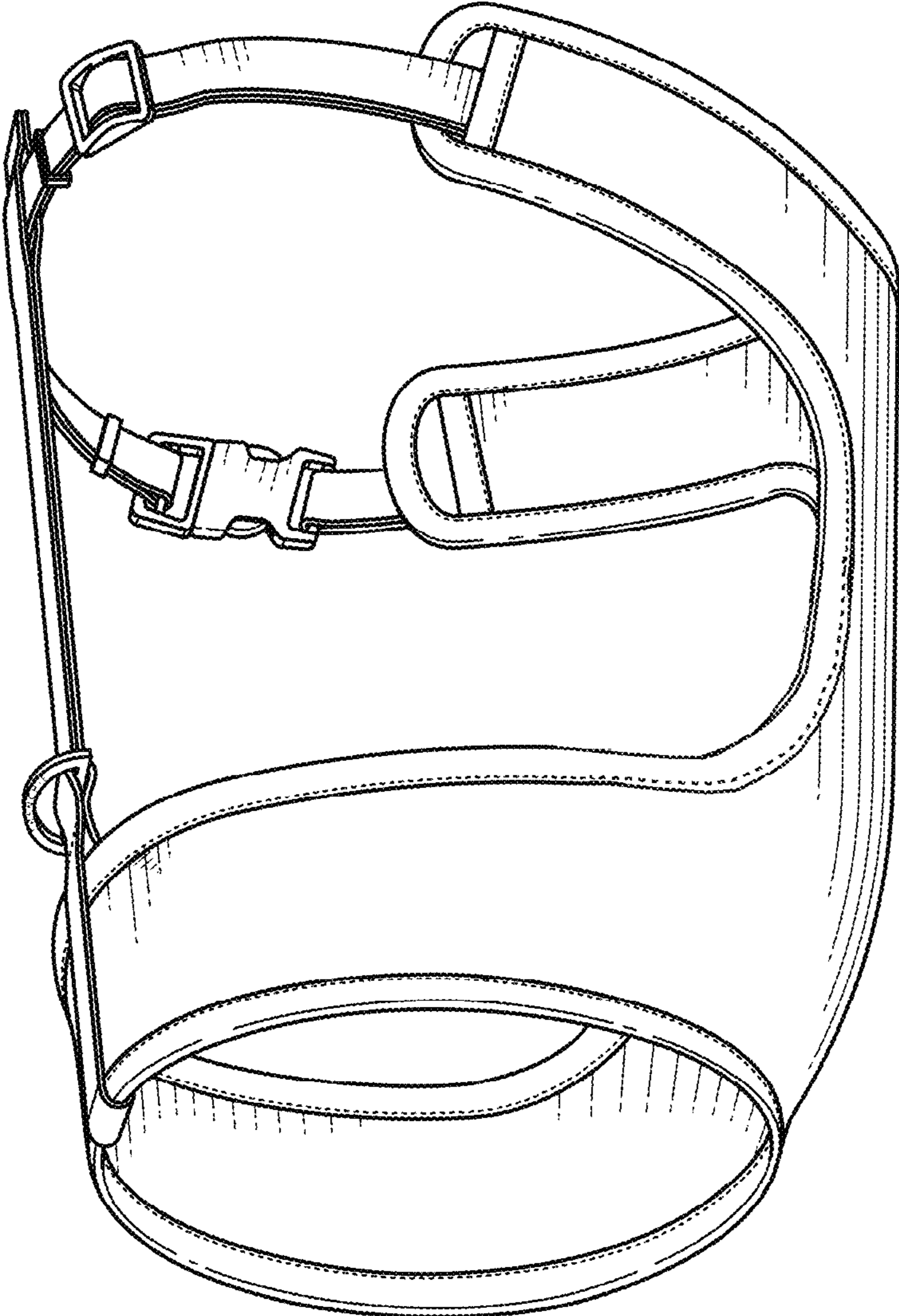


FIG. 1

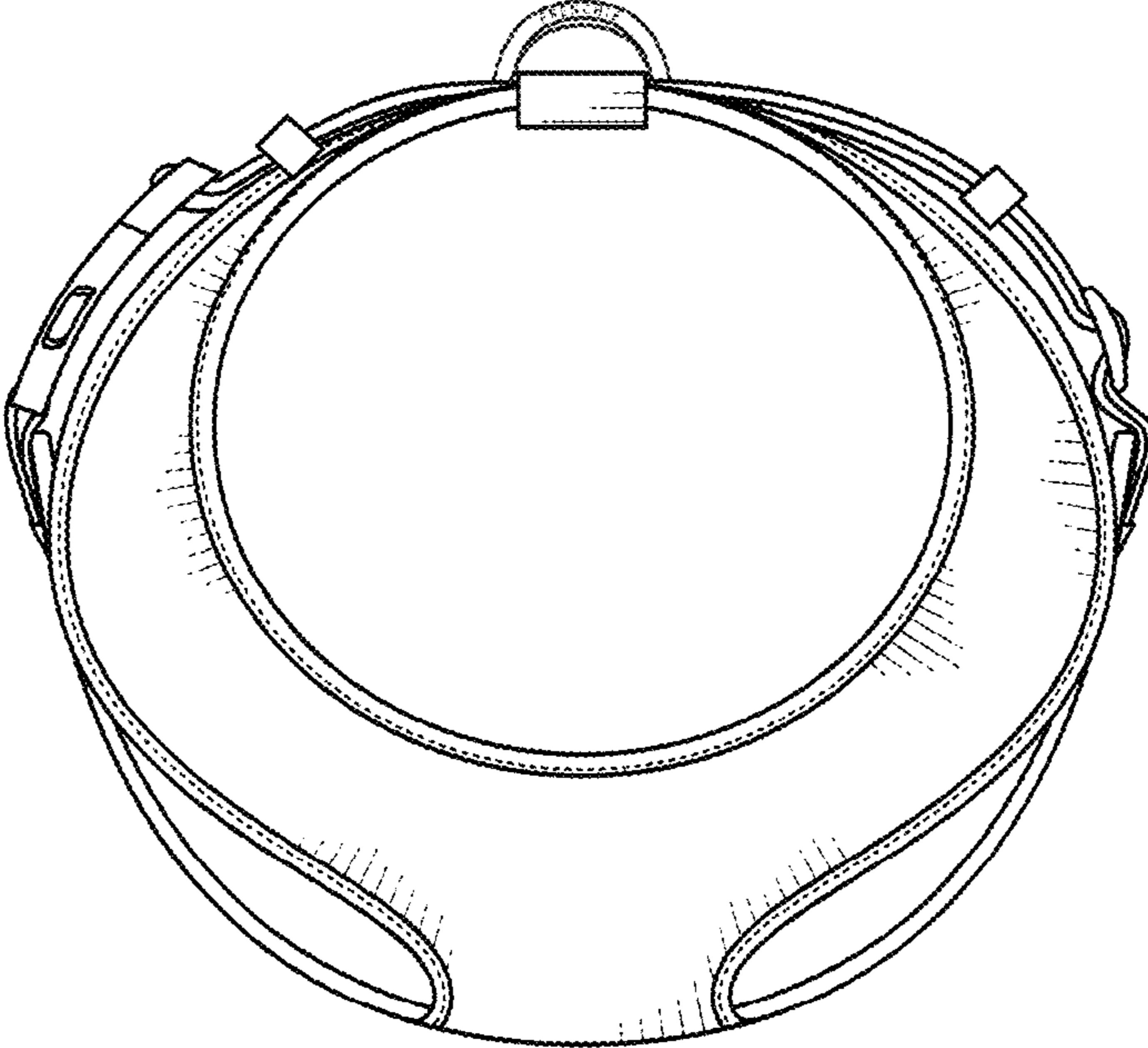


FIG. 2

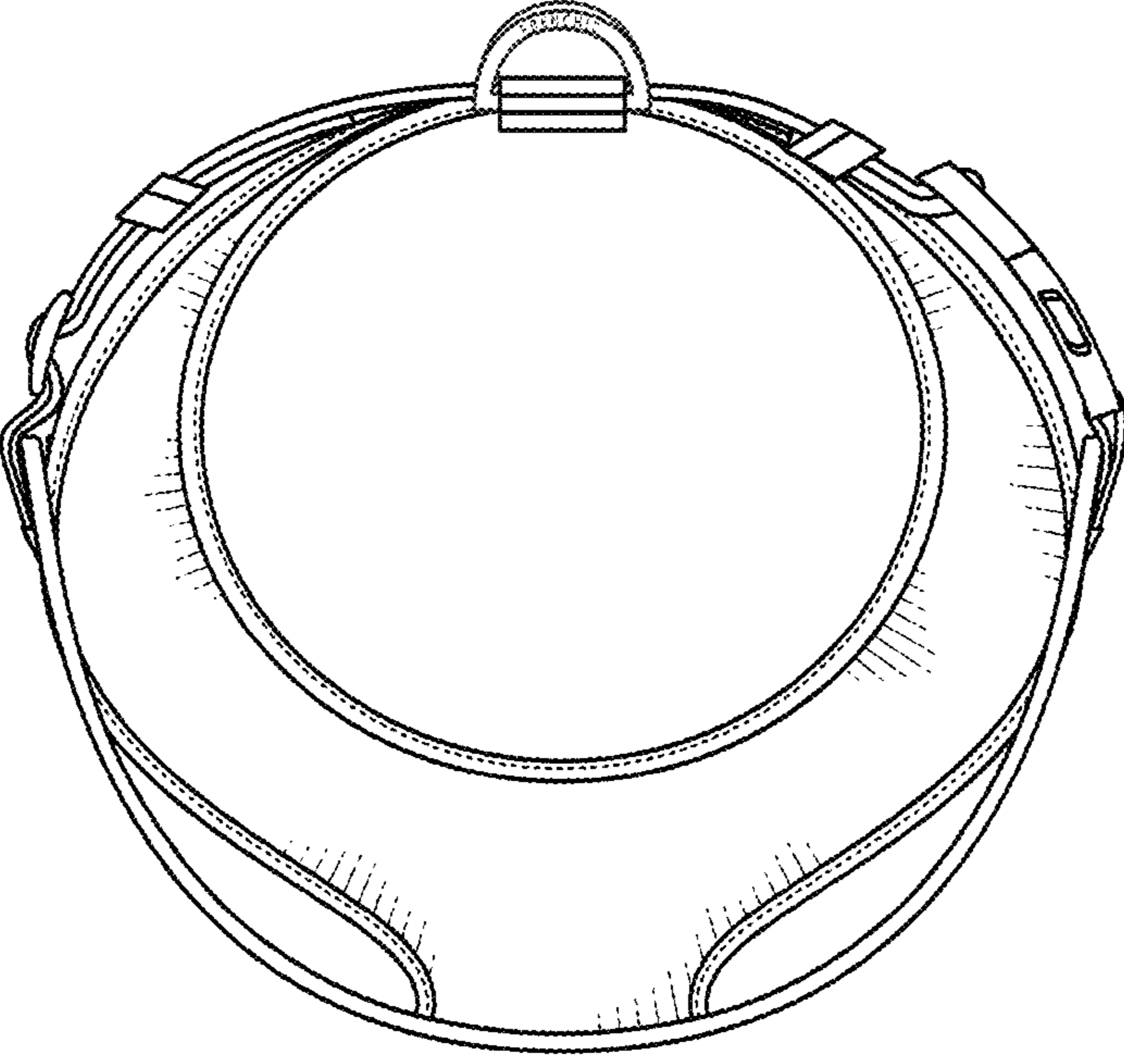


FIG. 3

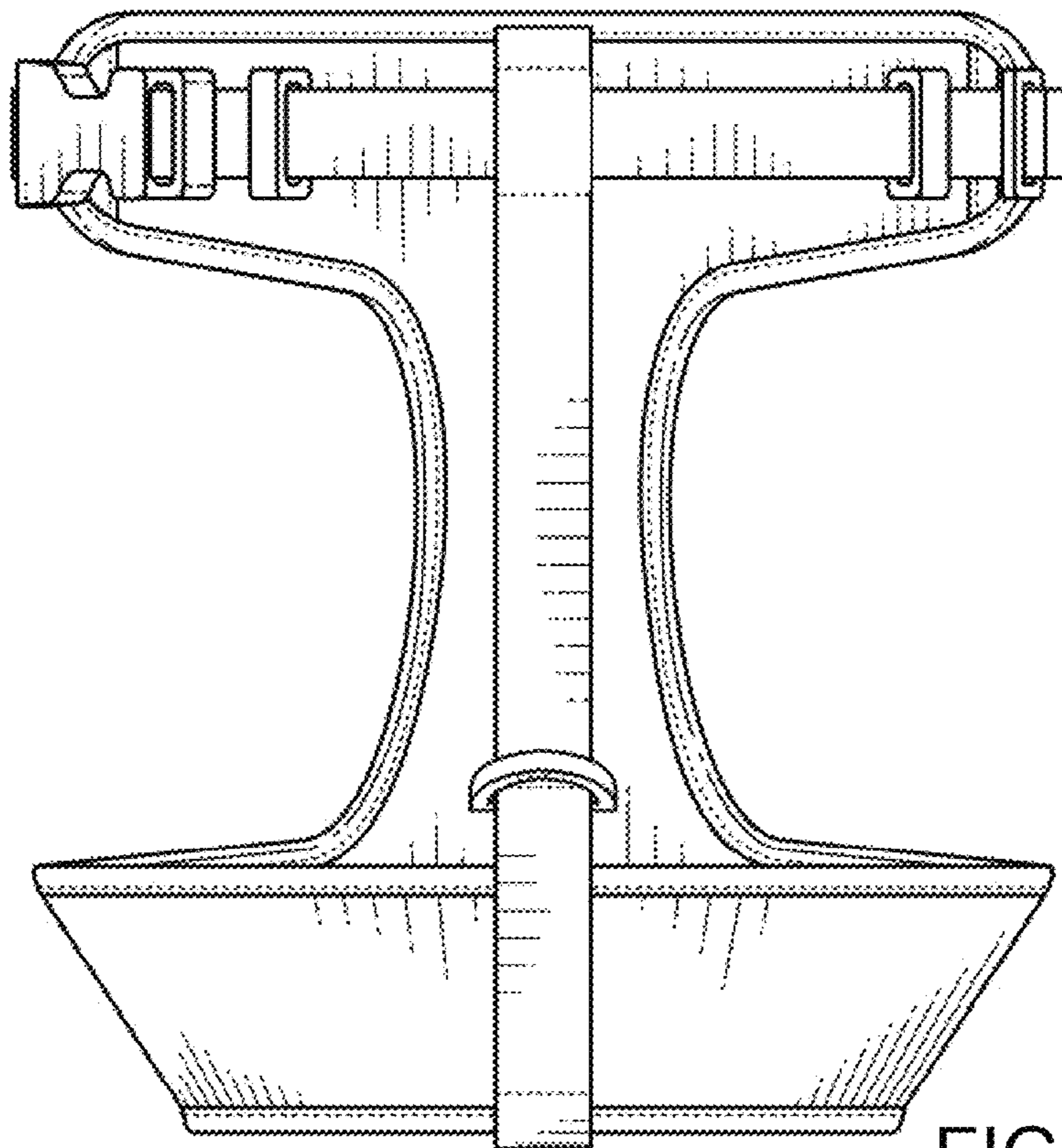


FIG. 4

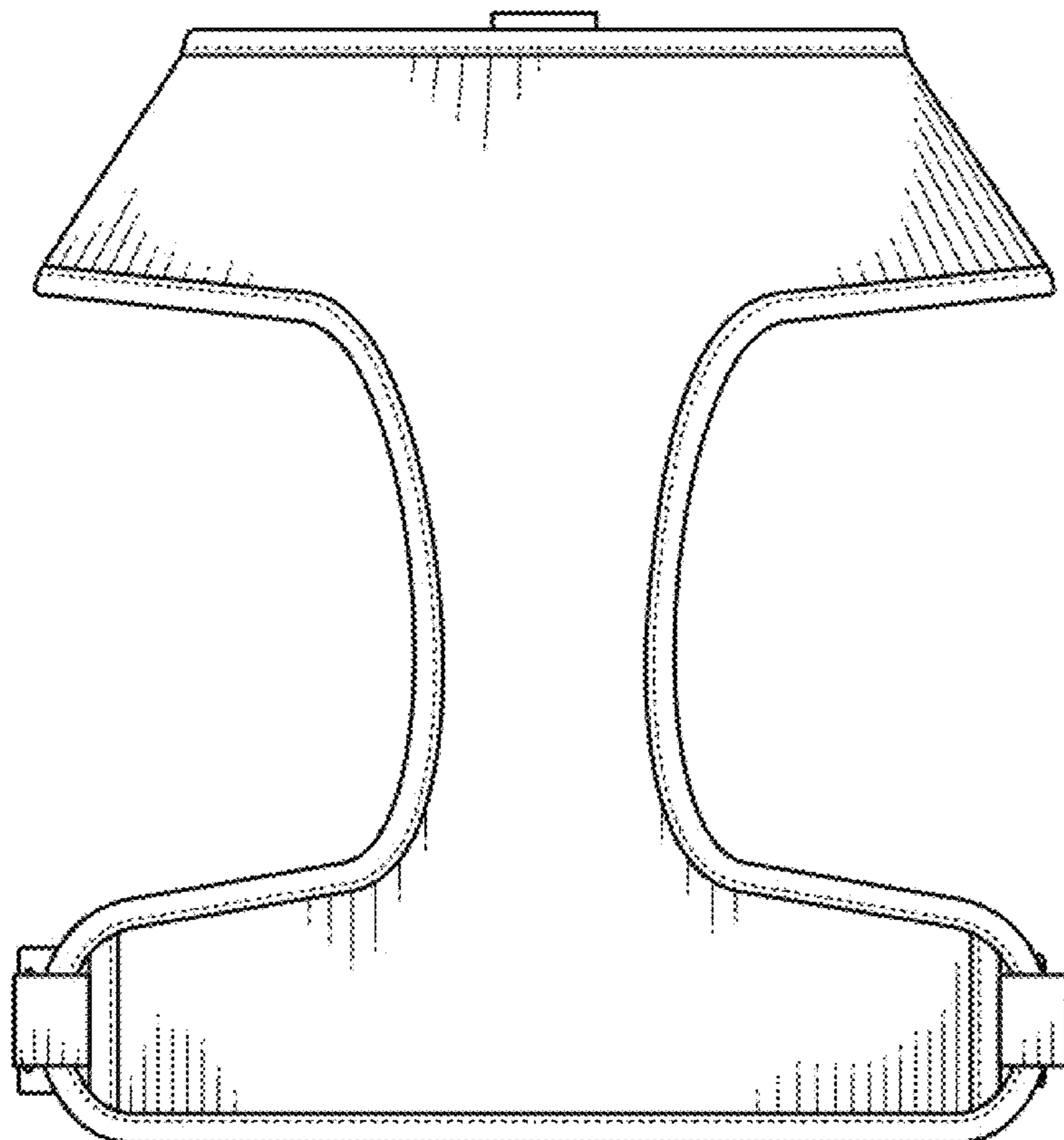


FIG. 5

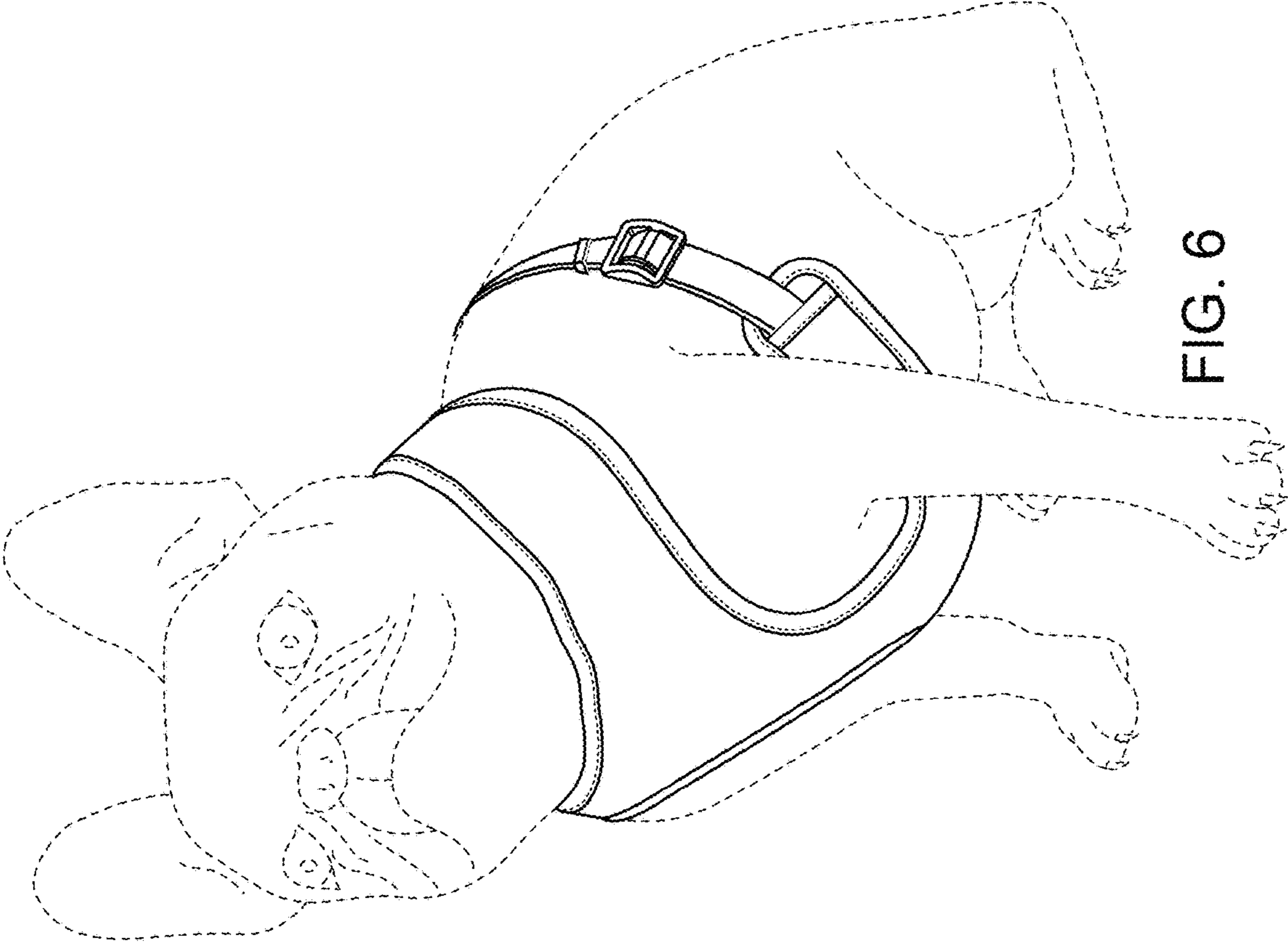


FIG. 6

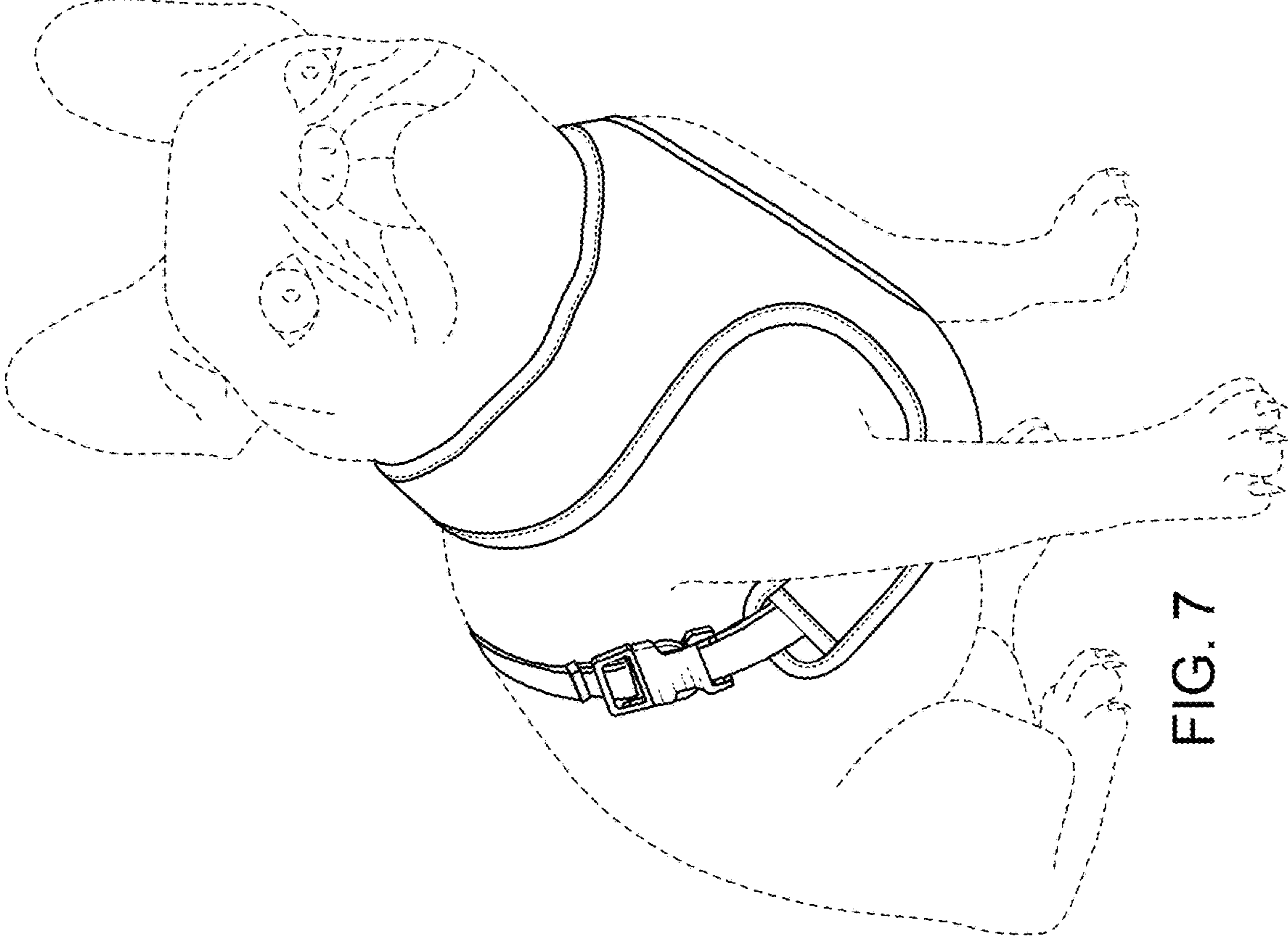


FIG. 7

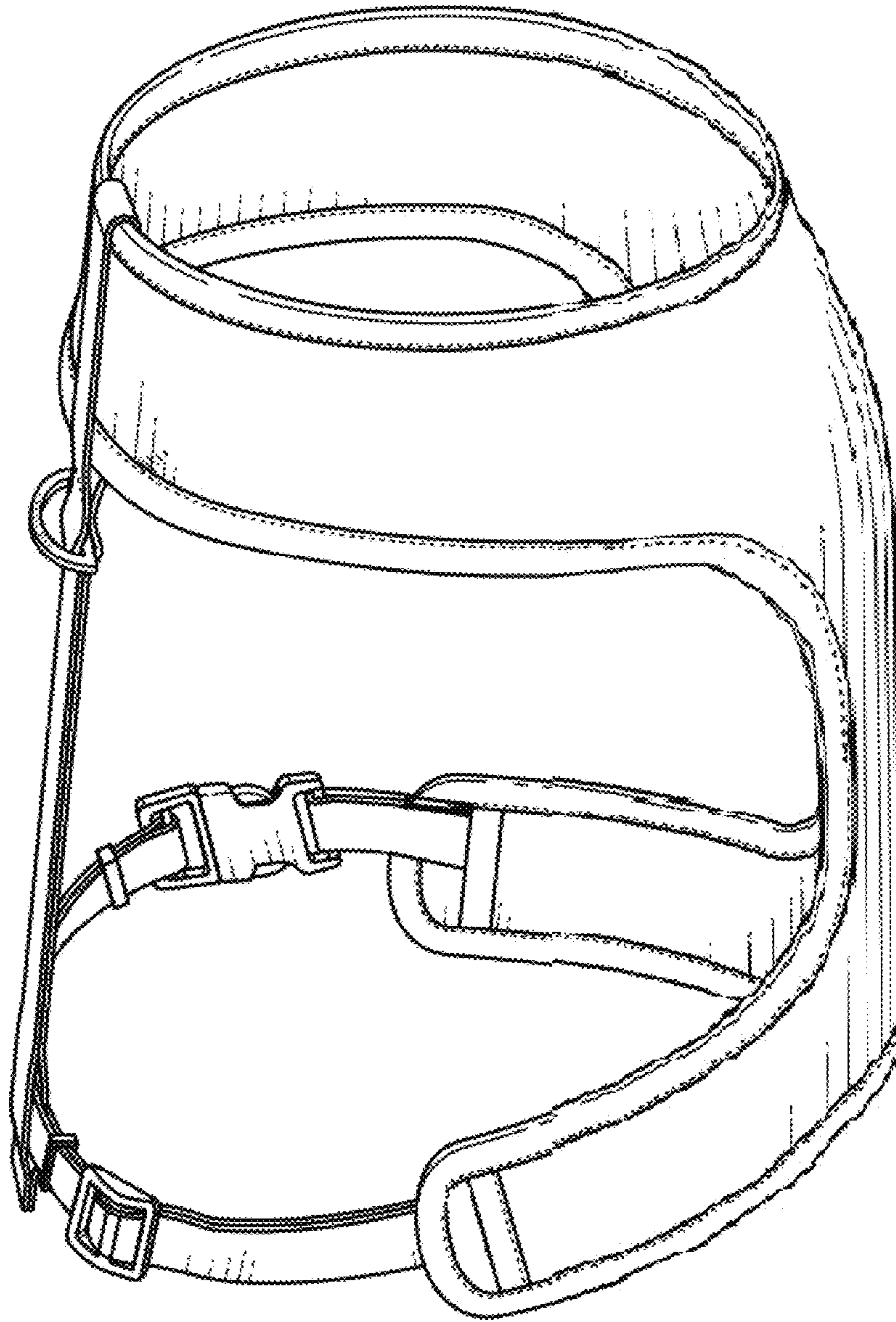


FIG. 8

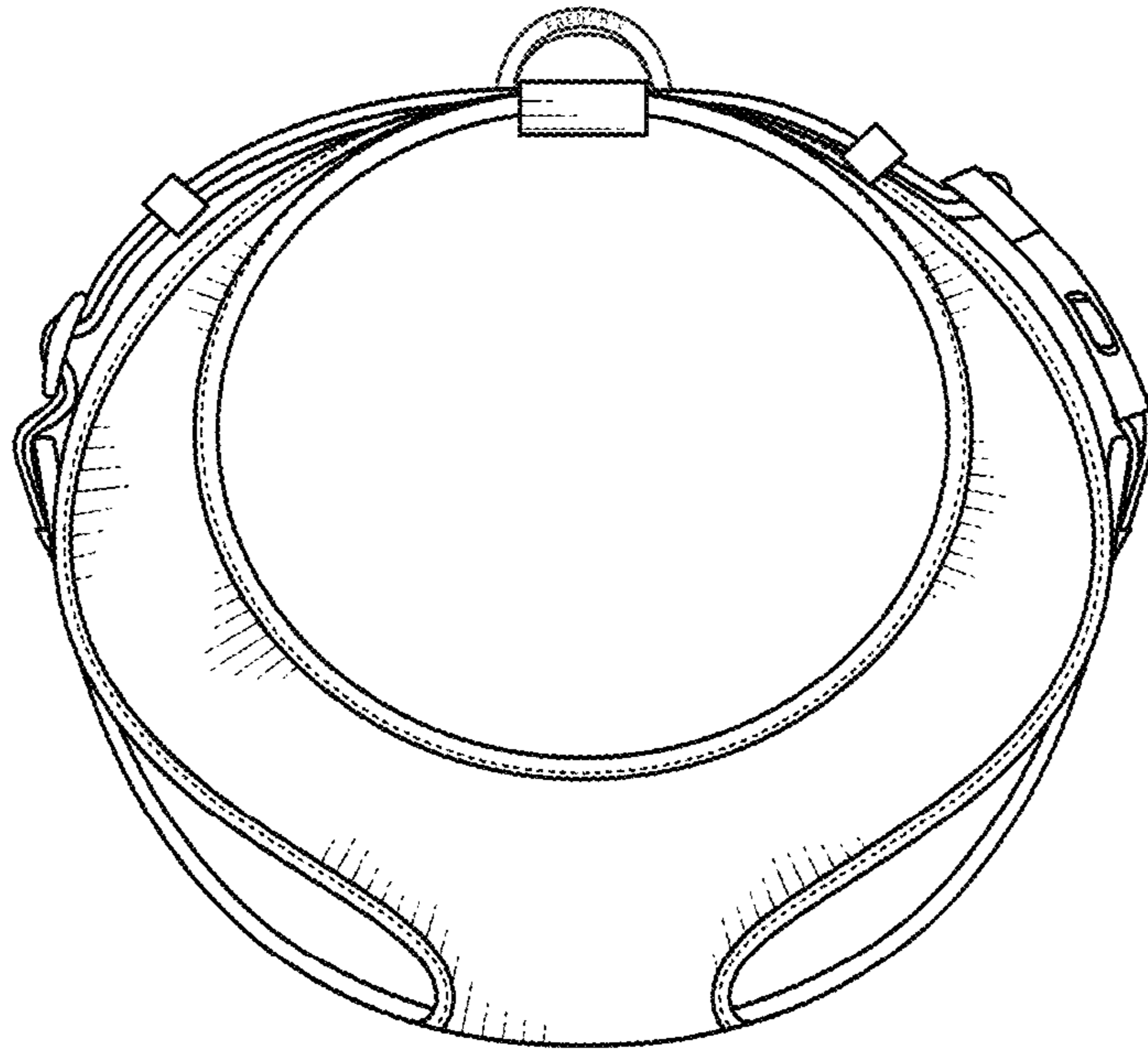


FIG. 9

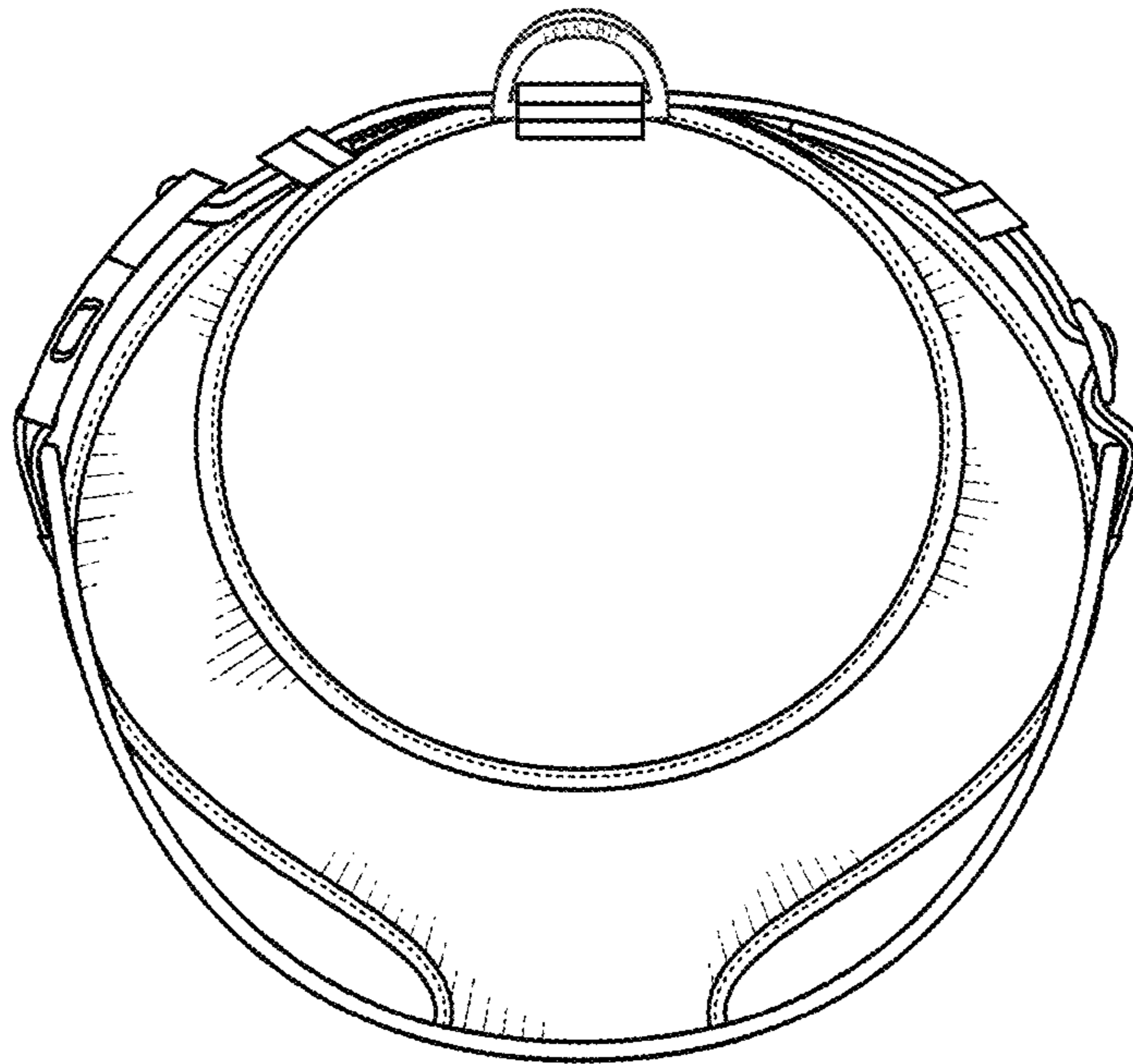


FIG. 10

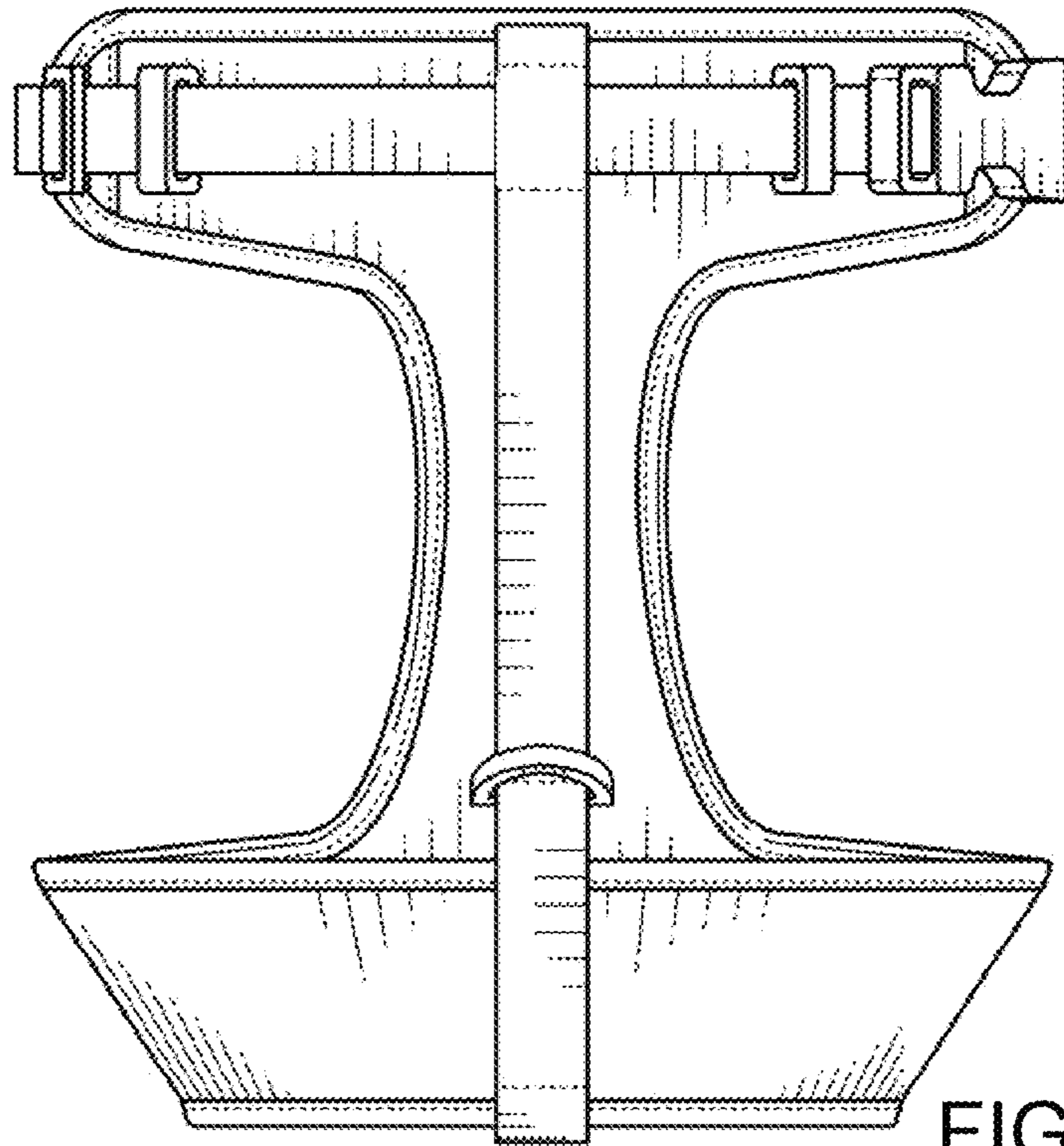


FIG. 11

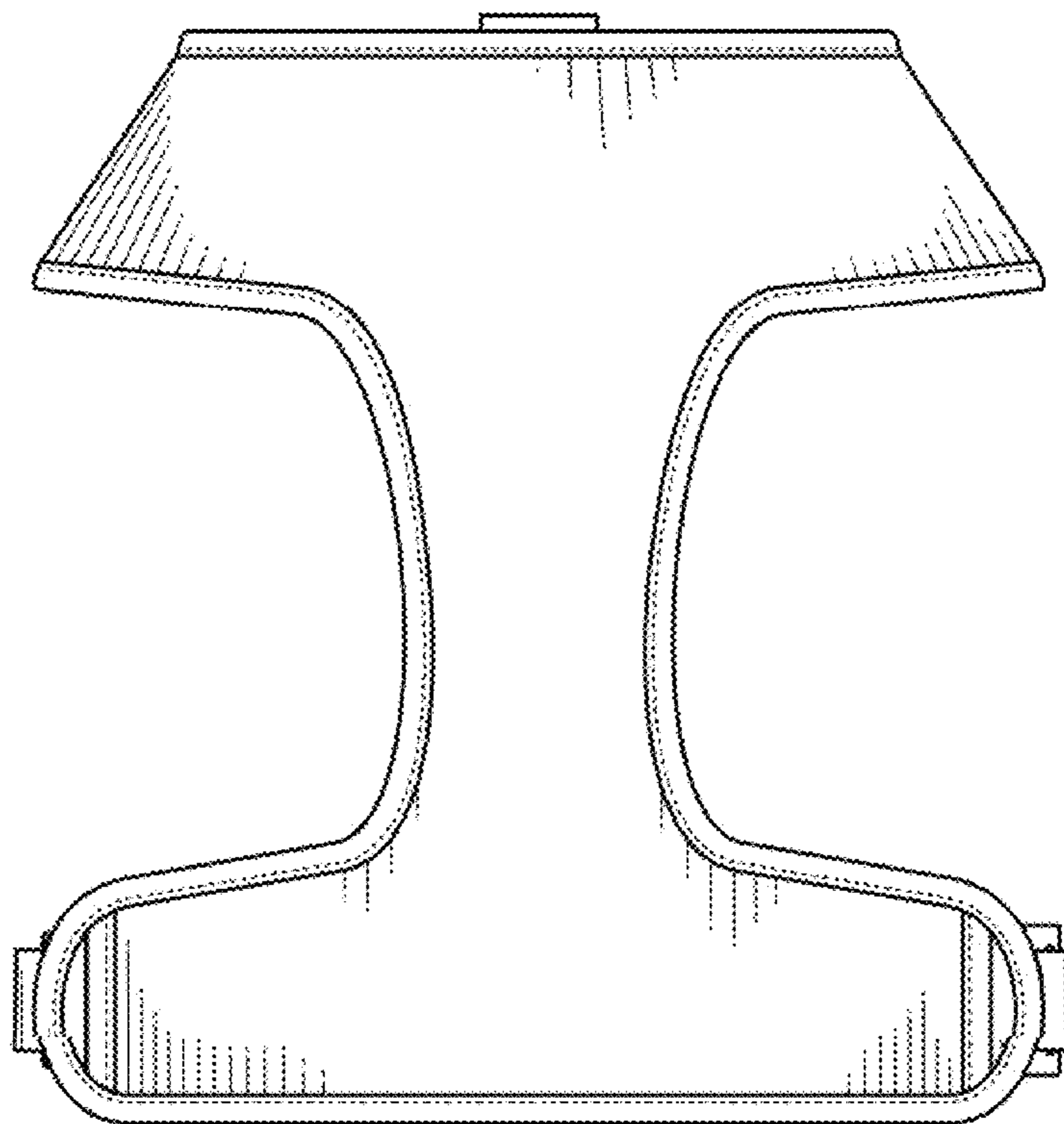


FIG. 12

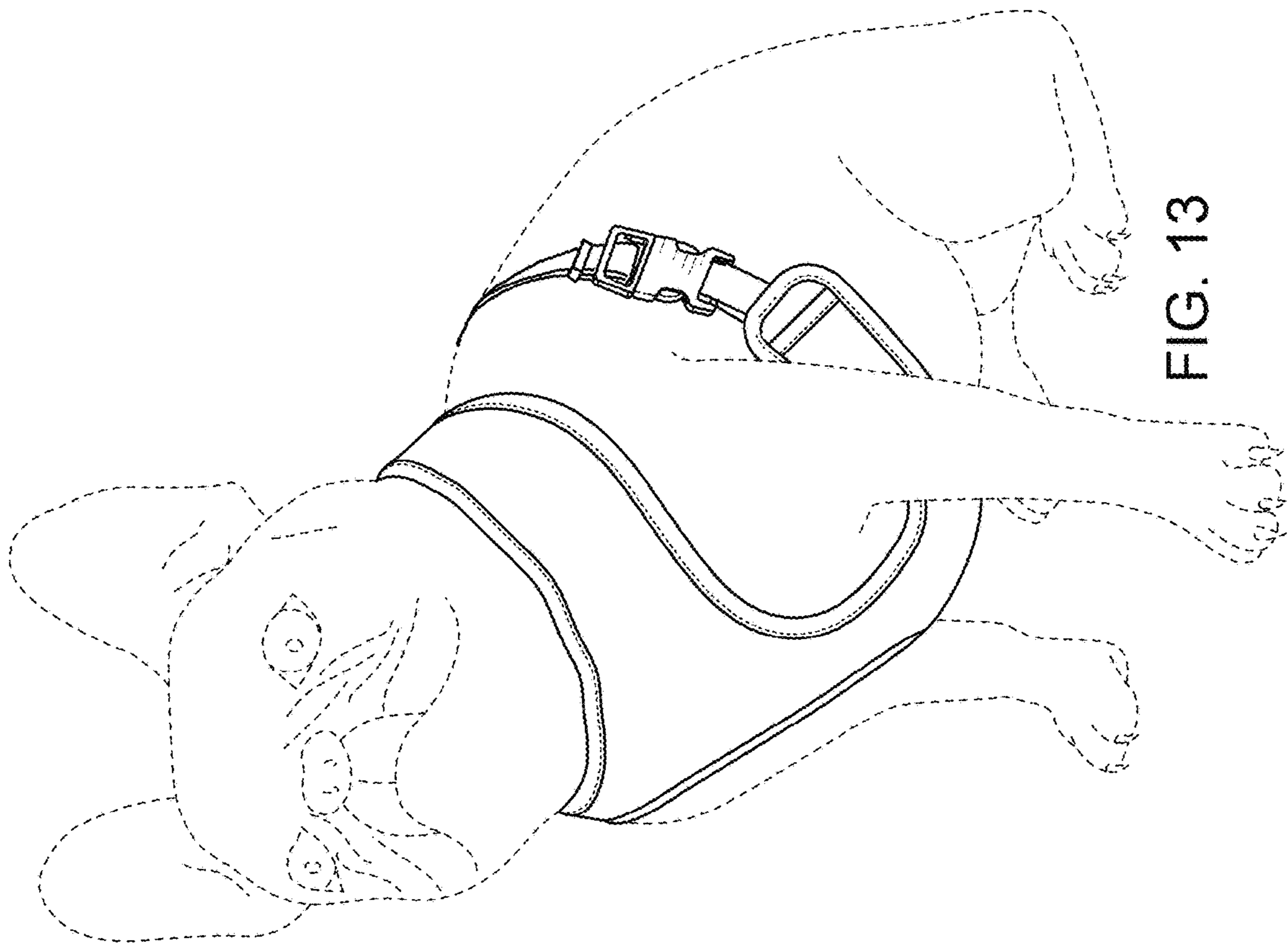


FIG. 13

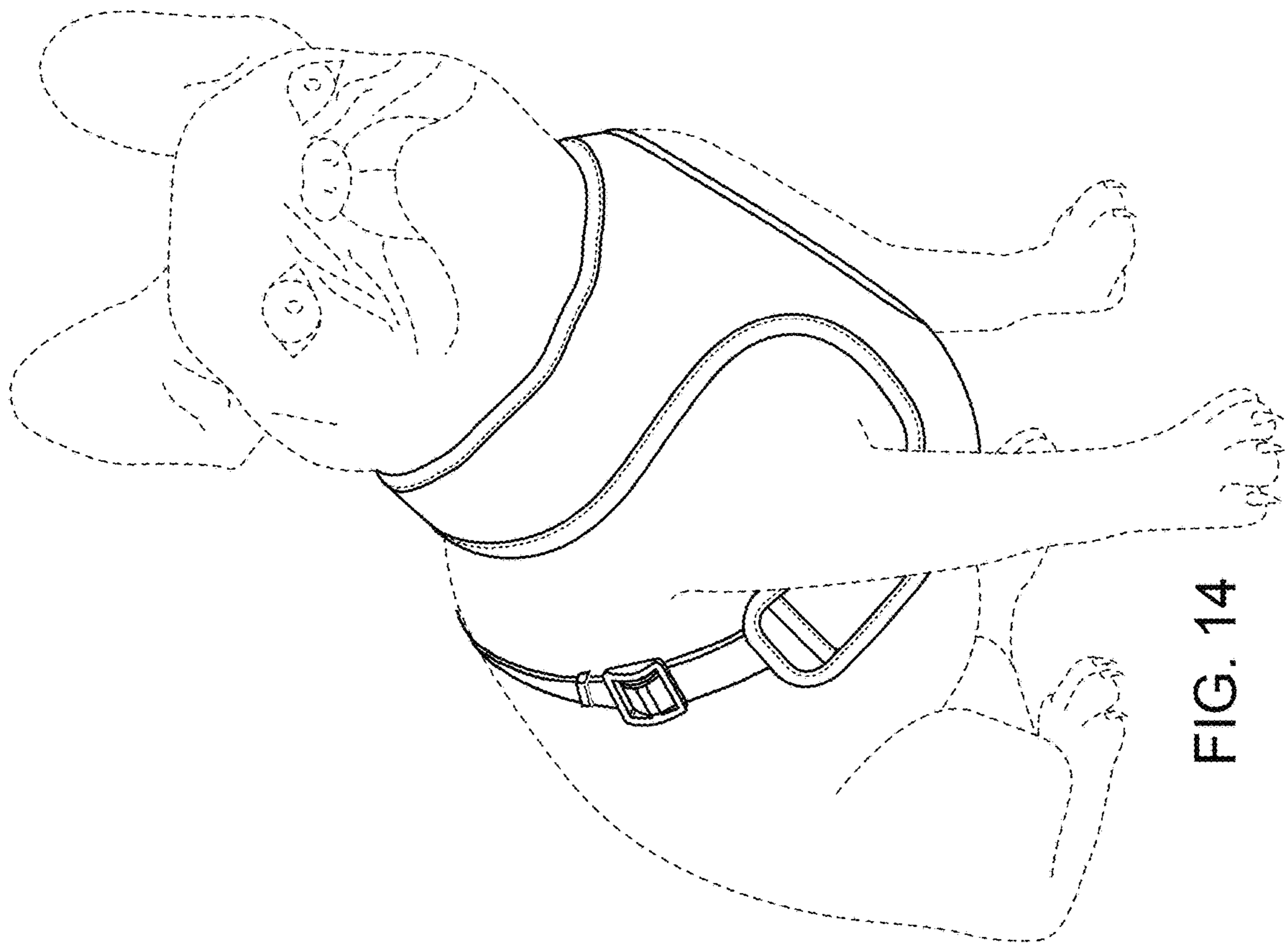


FIG. 14