



US00D883578S

(12) **United States Design Patent**  
**Howard**

(10) **Patent No.:** **US D883,578 S**  
(45) **Date of Patent:** **\*\* May 5, 2020**

- (54) **MOUTHGUARD**
- (71) Applicant: **Howard Innovations, LLC**, Osprey, FL (US)
- (72) Inventor: **Joshua D. Howard**, Osprey, FL (US)
- (73) Assignee: **HOWARD INNOVATIONS, LLC**, Osprey, FL (US)
- (\*\*) Term: **15 Years**
- (21) Appl. No.: **29/699,299**
- (22) Filed: **Jul. 24, 2019**

**Related U.S. Application Data**

- (62) Division of application No. 29/645,202, filed on Apr. 24, 2018, now Pat. No. Des. 859,749.
- (51) **LOC (12) Cl.** ..... **29-02**
- (52) **U.S. Cl.**  
USPC ..... **D29/108**
- (58) **Field of Classification Search**  
USPC ..... D29/100, 105, 106, 108, 122; D24/108, D24/109, 110, 110.5, 156, 176, 181  
CPC . A61F 5/566; A61F 5/58; A63B 71/08; A63B 71/081; A63B 71/085; A63B 2071/085; A63B 2071/088; A61C 7/10; A61C 13/08; A61C 13/081; A61C 13/083; A61C 13/087; A61C 19/066; A61C 5/14; A61B 13/00; A61B 13/24  
See application file for complete search history.

(56) **References Cited**

**U.S. PATENT DOCUMENTS**

- 2,966,908 A \* 1/1961 Cathcart ..... A63B 71/085  
128/861
- 3,496,936 A \* 2/1970 Gores ..... A63B 71/085  
128/861
- 3,878,610 A \* 4/1975 Coscina ..... A61C 9/0006  
433/37

- 5,026,278 A \* 6/1991 Oxman ..... A61C 9/0006  
433/37
- 5,511,562 A \* 4/1996 Hancock ..... A61F 5/00  
128/859
- 5,611,355 A \* 3/1997 Hilsen ..... A61F 5/566  
128/848
- D382,965 S \* 8/1997 Wagner ..... D29/108
- 5,970,981 A \* 10/1999 Ochel ..... A61F 5/58  
128/859
- D444,559 S \* 7/2001 Huffman ..... D24/181
- 6,491,036 B2 \* 12/2002 Cook ..... A63B 71/085  
128/859
- 7,040,897 B2 \* 5/2006 Fischer ..... A61C 19/066  
433/216
- D597,675 S \* 8/2009 Eli ..... D24/181
- 9,737,377 B2 \* 8/2017 Frey ..... A61F 5/56
- D830,640 S \* 10/2018 Supple ..... D29/108
- D833,621 S \* 11/2018 Tolentino ..... D24/181
- D833,681 S \* 11/2018 Tolentino ..... D29/108

\* cited by examiner

*Primary Examiner* — Elizabeth J Oswecki

(74) *Attorney, Agent, or Firm* — Haynes and Boone, LLP

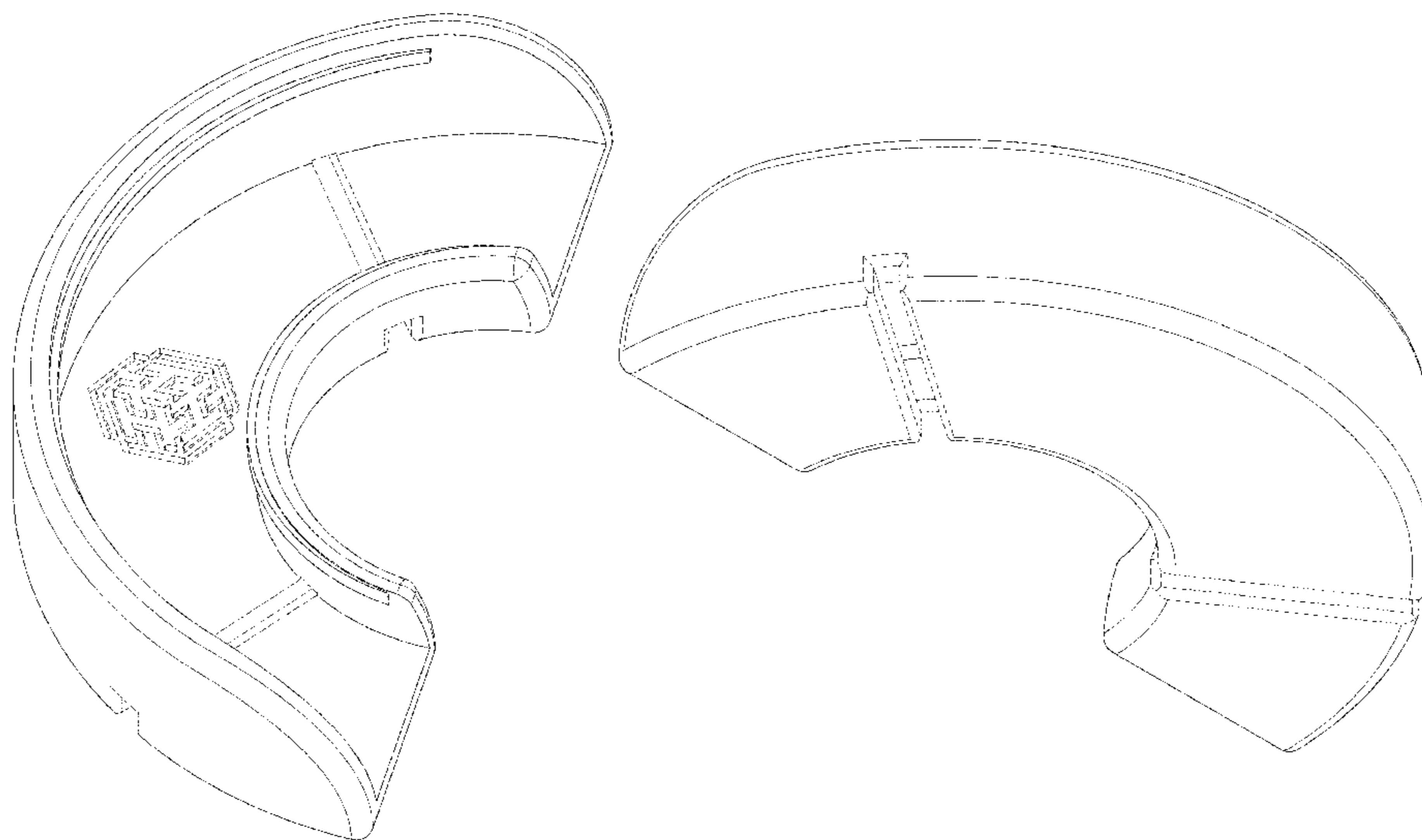
(57) **CLAIM**

The ornamental design for a mouthguard, as shown and described.

**DESCRIPTION**

FIG. 1 is a top perspective view of a mouthguard showing my new design;  
 FIG. 2 is a bottom perspective view of FIG. 1;  
 FIG. 3 is a rear elevational view of FIG. 1;  
 FIG. 4 is a top plan view of FIG. 1;  
 FIG. 5 is a front elevational view of FIG. 1;  
 FIG. 6 is a right side elevational view of FIG. 1, the left side elevational view being a mirror image; and,  
 FIG. 7 is a bottom plan view of FIG. 1.  
 The dashed lines in FIGS. 1-7 indicate unclaimed portions of the disclosed mouthguard.

**1 Claim, 6 Drawing Sheets**



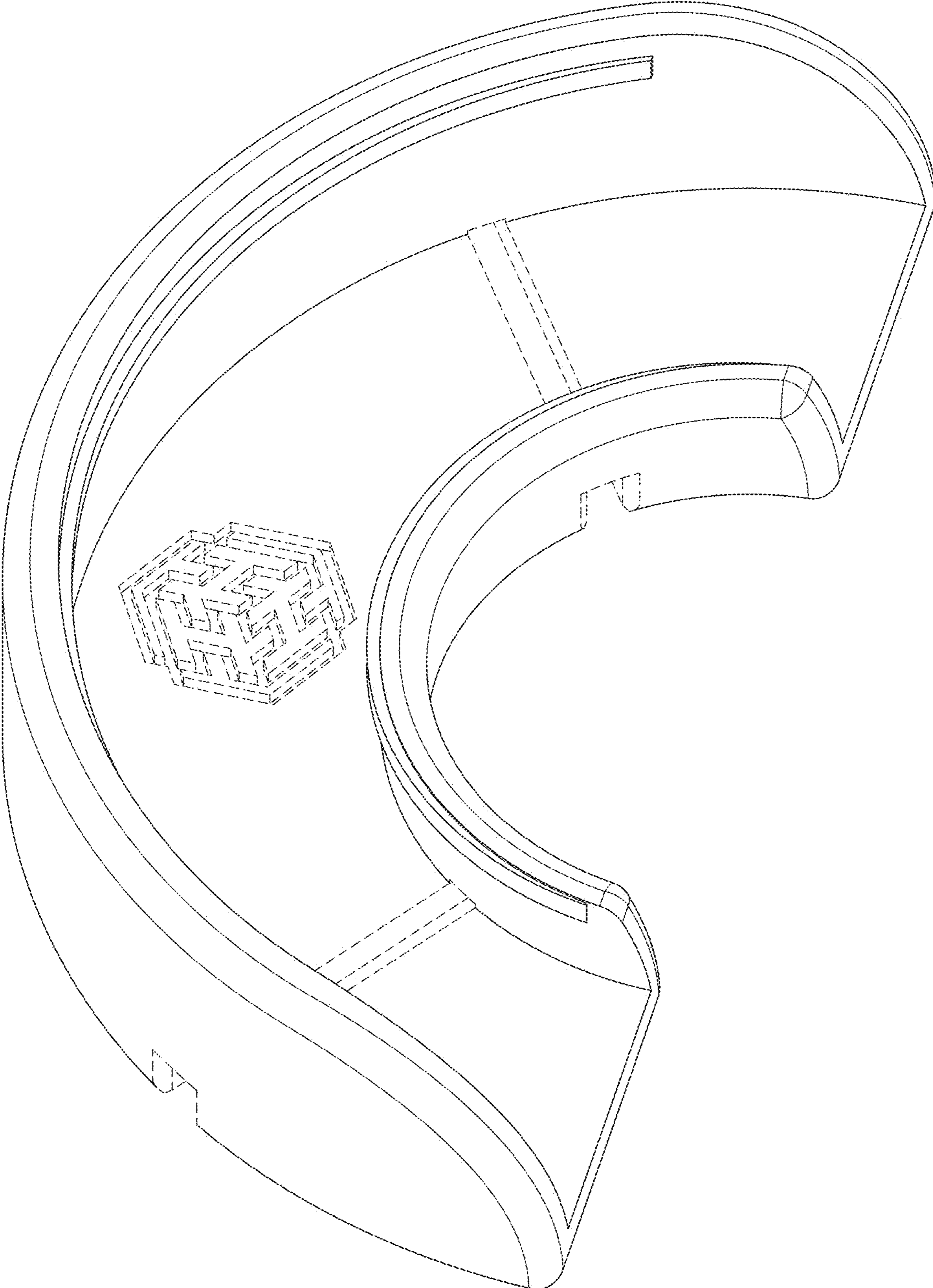


Fig. 1

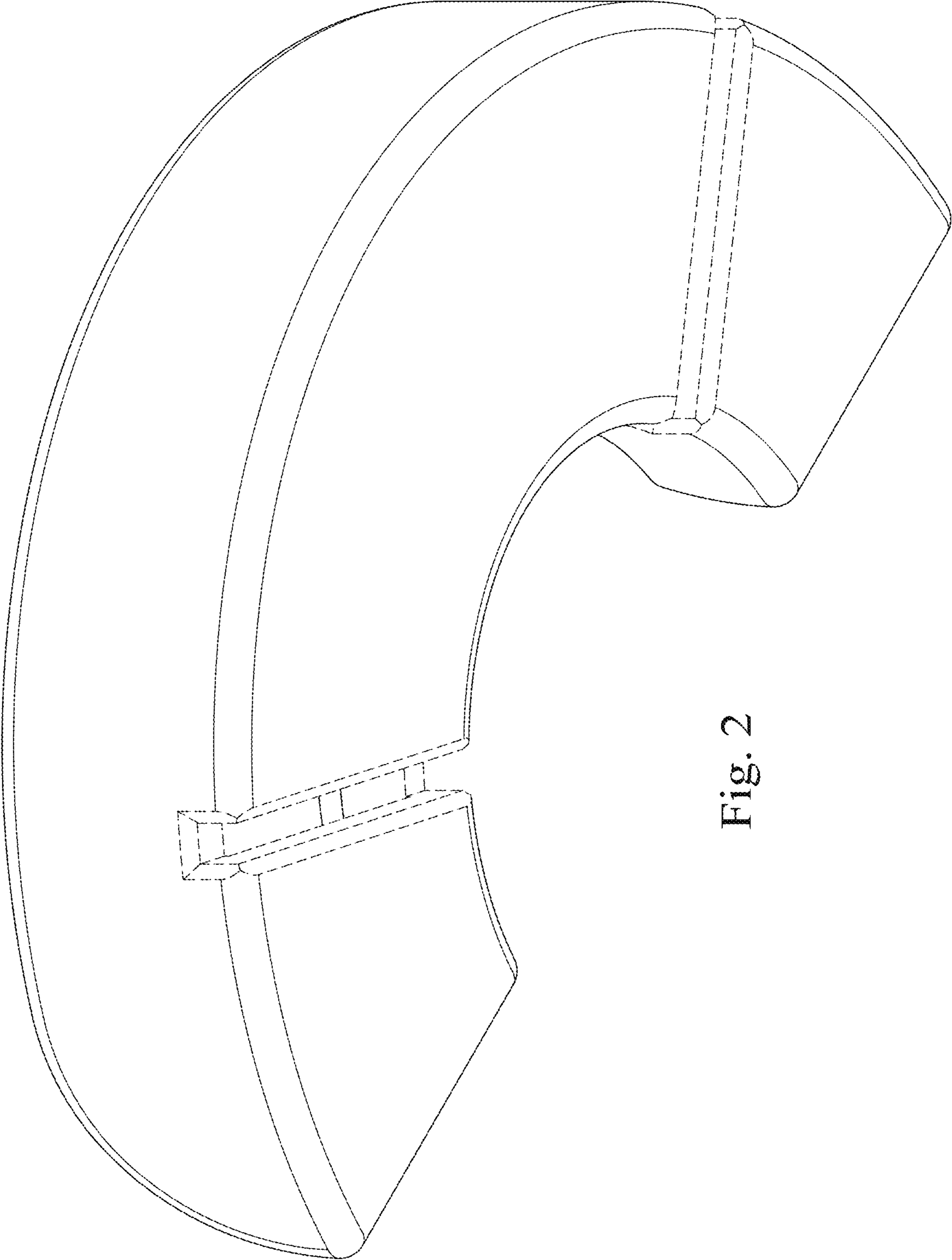


Fig. 2

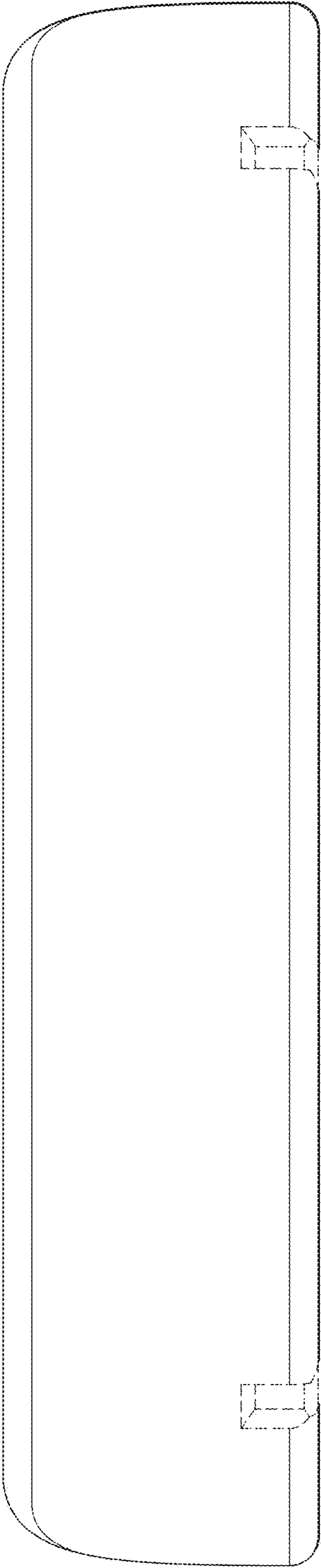


Fig. 3

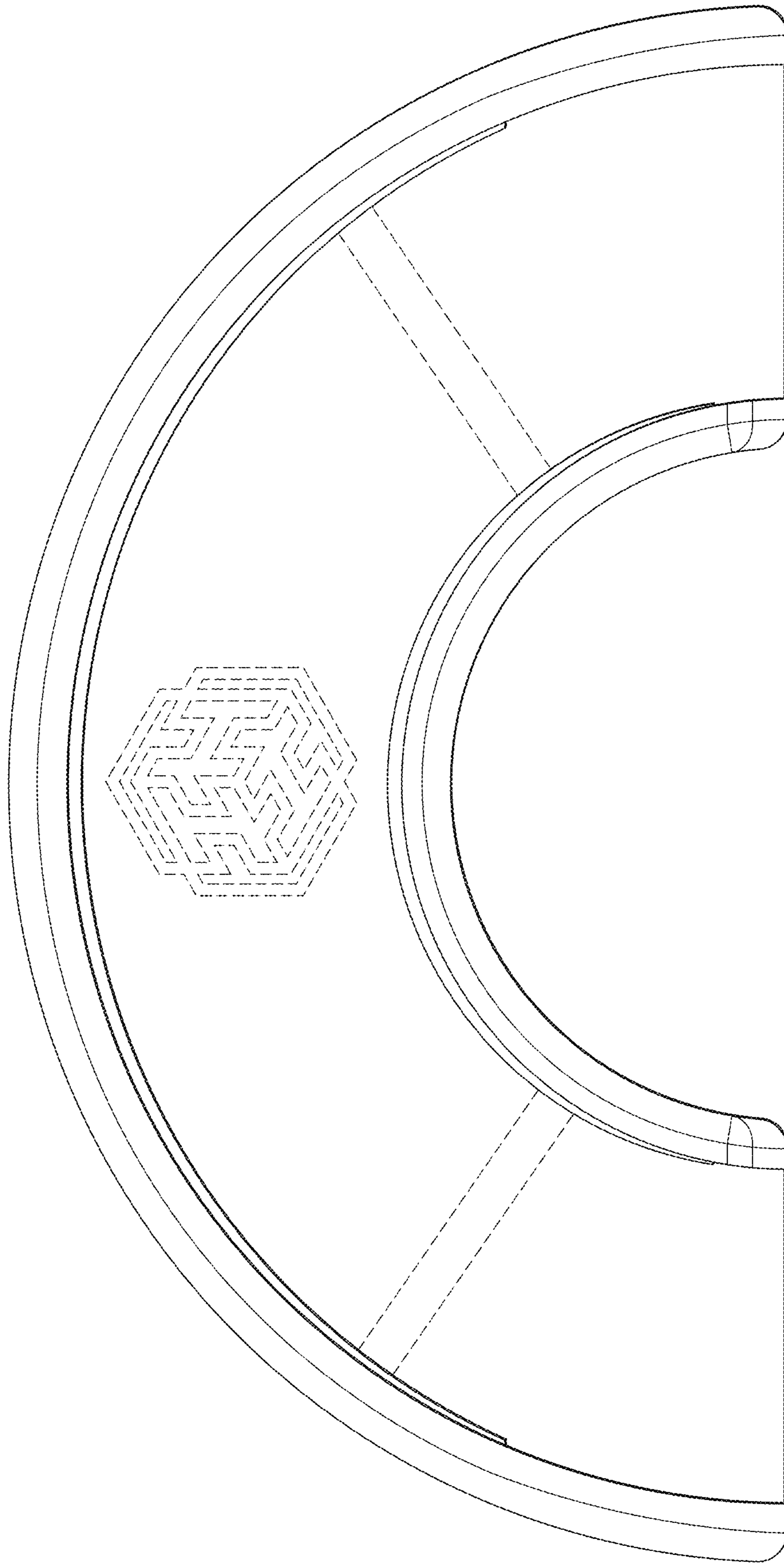


Fig. 4

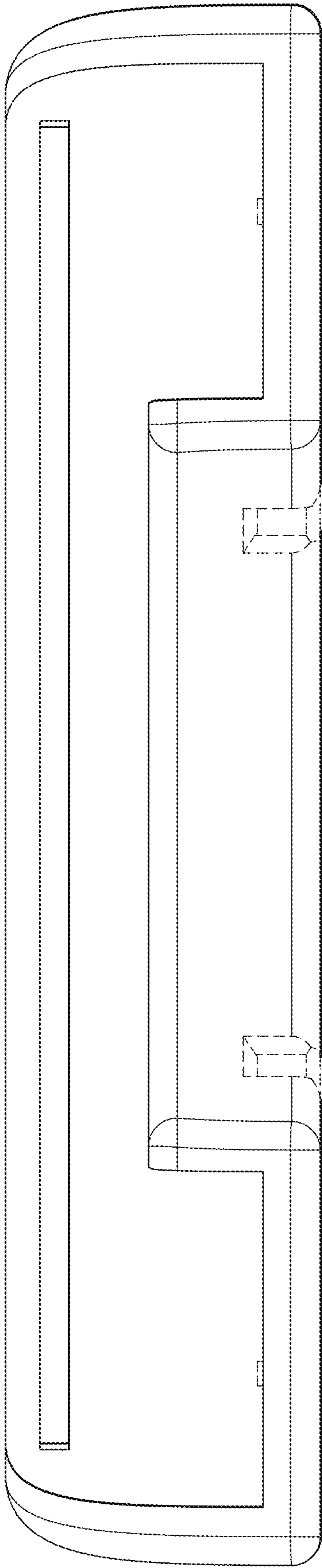


Fig. 5

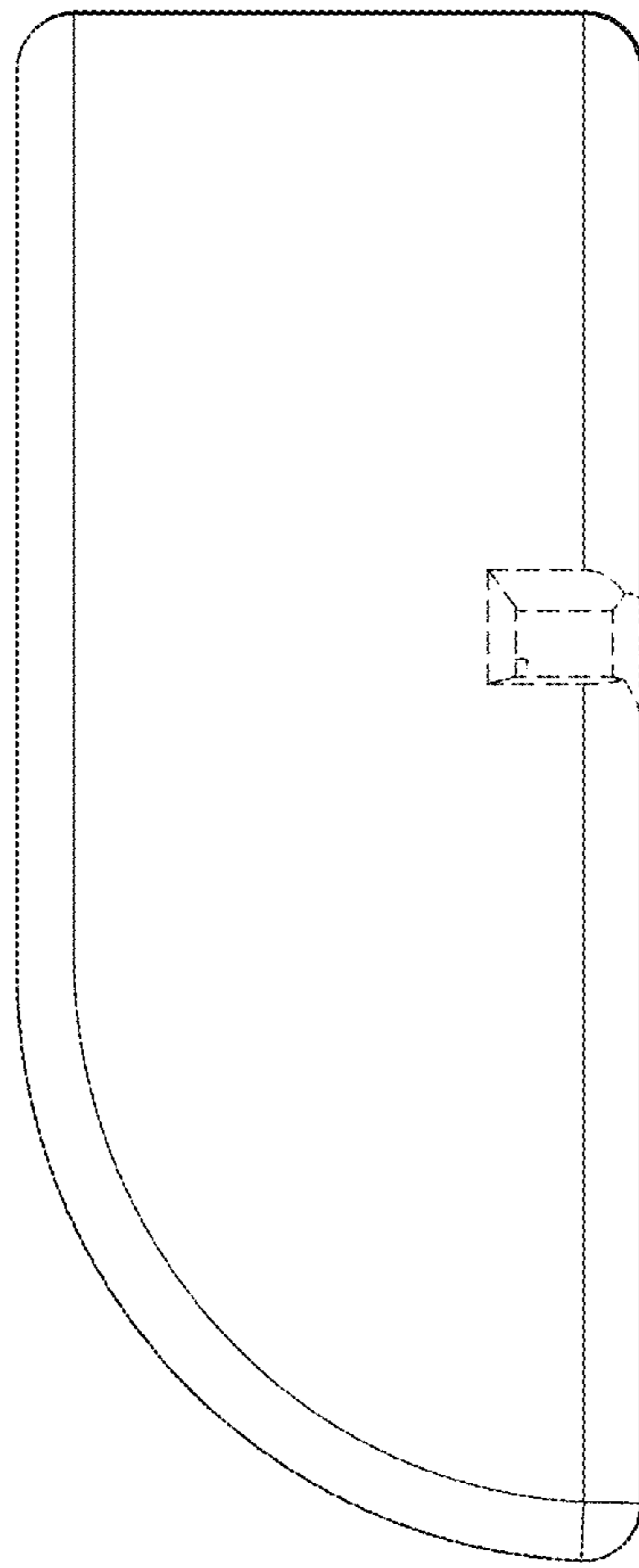


Fig. 6

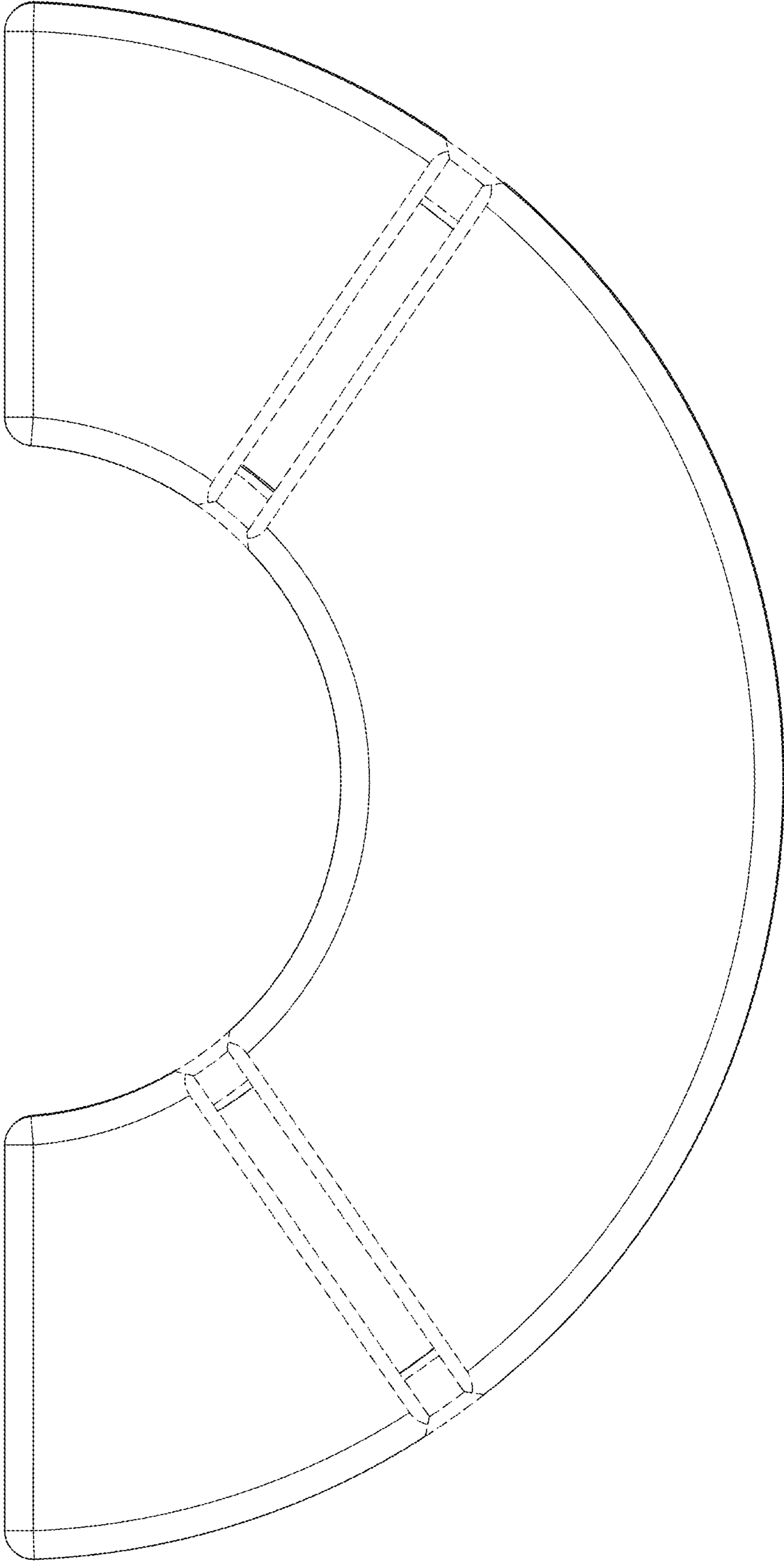


Fig. 7