



US00D883576S

(12) **United States Design Patent** (10) **Patent No.:** **US D883,576 S**
Lin (45) **Date of Patent:** **** May 5, 2020**

(54) **COSMETIC CASE**

(71) Applicant: **LIBO COSMETICS CO., LTD.**,
Lukang Township (TW)

(72) Inventor: **Hsiao-Yun Lin**, Lukang Township
(TW)

(73) Assignee: **Libo Cosmetics Co., Ltd.**, Lukang
Township, Changhua County (TW)

(**) Term: **15 Years**

(21) Appl. No.: **29/671,588**

(22) Filed: **Nov. 28, 2018**

(51) **LOC (12) Cl.** **28-03**

(52) **U.S. Cl.**
USPC **D28/89**; D9/552

(58) **Field of Classification Search**
USPC D28/7, 85, 88, 89, 76-84; D9/503, 504,
D9/502, 565, 569, 568, 552, 729, 727
CPC A45D 33/00; A45D 33/003; A45D 33/005;
A45D 33/006; A45D 33/18; A45D 33/20;
A45D 33/22; A45D 33/24; A45D 40/00;
A45D 40/02-10; A45D 40/22-222; A45D
2040/0012; A45D 2040/0025; A45D
40/24
See application file for complete search history.

(56) **References Cited**

U.S. PATENT DOCUMENTS

D152,962 S *	3/1949	Guerin	D9/546
D153,194 S *	3/1949	Weidopf	D9/560
D260,564 S *	9/1981	Jedzinak	D28/89
D319,183 S *	8/1991	Halm	D23/366
D369,069 S *	4/1996	Husted	D7/679
D376,035 S *	11/1996	Boucheron	D28/91.1
D423,722 S *	4/2000	Lang	D28/76
D425,258 S *	5/2000	Lang	D28/89
D534,433 S *	1/2007	Chadfield	D9/723

D641,538 S *	7/2011	Evans	D1/125
D692,206 S *	10/2013	Slusarczyk	D1/125
D697,411 S *	1/2014	Stern	D9/552

(Continued)

OTHER PUBLICATIONS

Libo cosmetics LB-L015 lipstick, www.libocosmetics.com/en/Product, 1 page, downloaded Dec. 16, 2019.*

Primary Examiner — Jennifer Rivard
(74) *Attorney, Agent, or Firm* — Muncy, Geissler, Olds & Lowe, P.C.

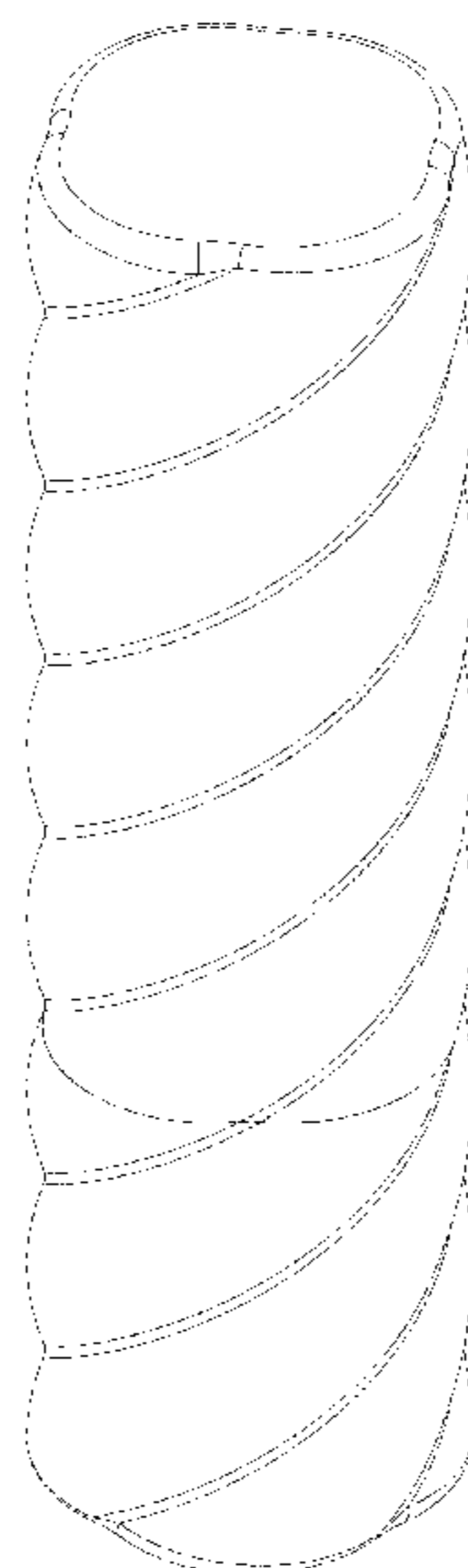
(57) **CLAIM**

The ornamental design for a cosmetic case, as shown and described.

DESCRIPTION

FIG. 1 is a perspective view of a cosmetic case showing my design;
FIG. 2 is a top view thereof;
FIG. 3 is a bottom view thereof;
FIG. 4 is a right side view thereof;
FIG. 5 is a left side view thereof;
FIG. 6 is a front view thereof;
FIG. 7 is a rear view thereof;
FIG. 8 is an exploded perspective view thereof;
FIG. 9 is a perspective view of an alternate embodiment of the cosmetic case showing my design;
FIG. 10 is a top view thereof;
FIG. 11 is a bottom view thereof;
FIG. 12 is a right side view thereof;
FIG. 13 is a left side view thereof;
FIG. 14 is a front view thereof;
FIG. 15 is a rear view thereof; and,
FIG. 16 is an exploded perspective view thereof.
The broken lines depicting the remainder of the cosmetic case show features that form no part of the claimed design.

1 Claim, 16 Drawing Sheets



(56)

References Cited

U.S. PATENT DOCUMENTS

D730,617 S * 6/2015 Slusarczyk D1/125
D868,588 S * 12/2019 Walbroel D9/552

* cited by examiner

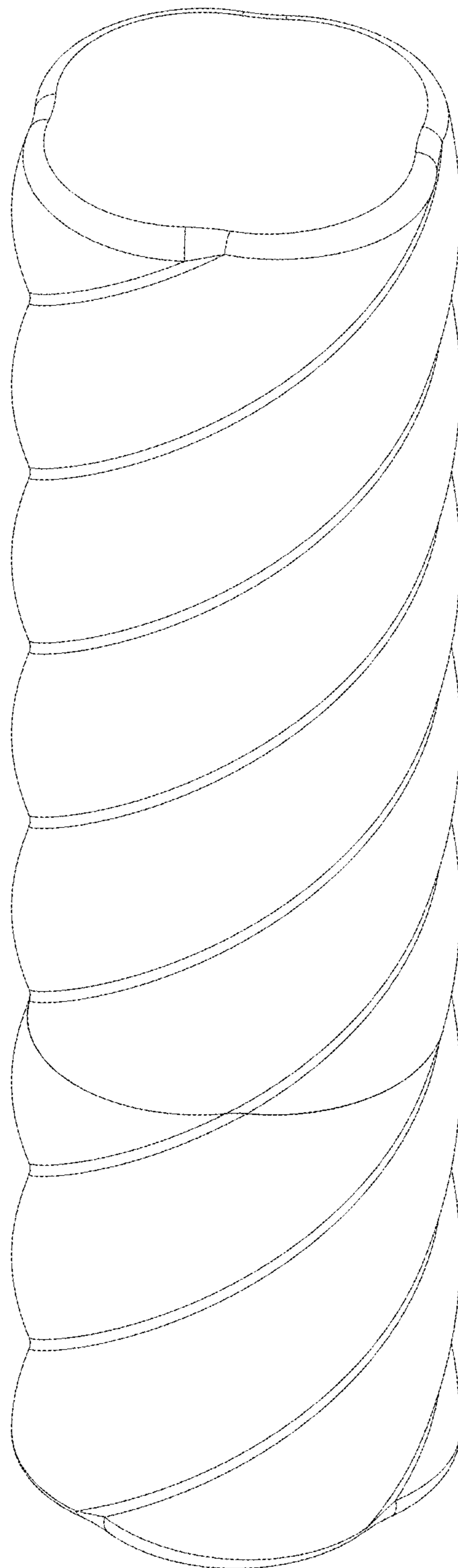


FIG. 1

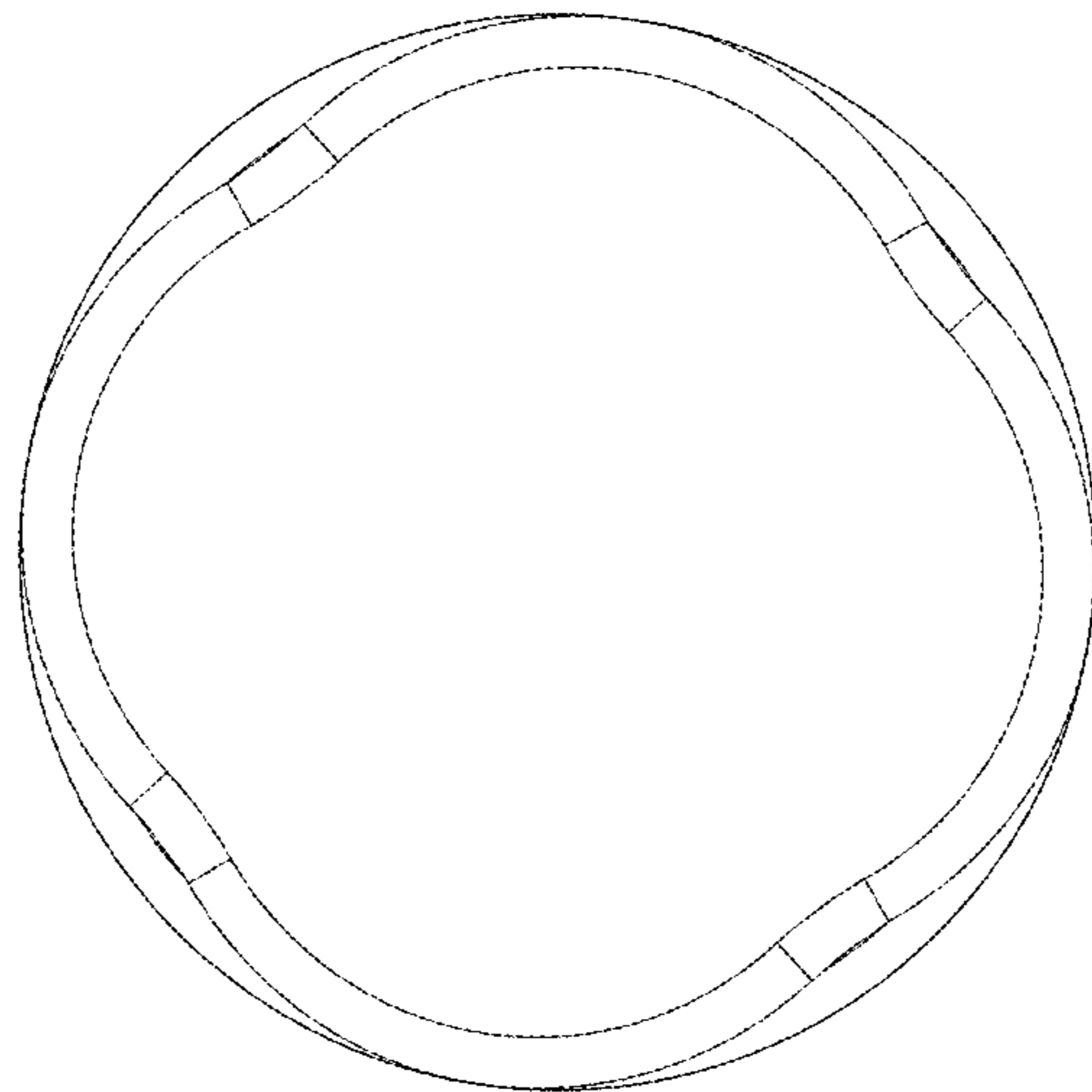


FIG. 2

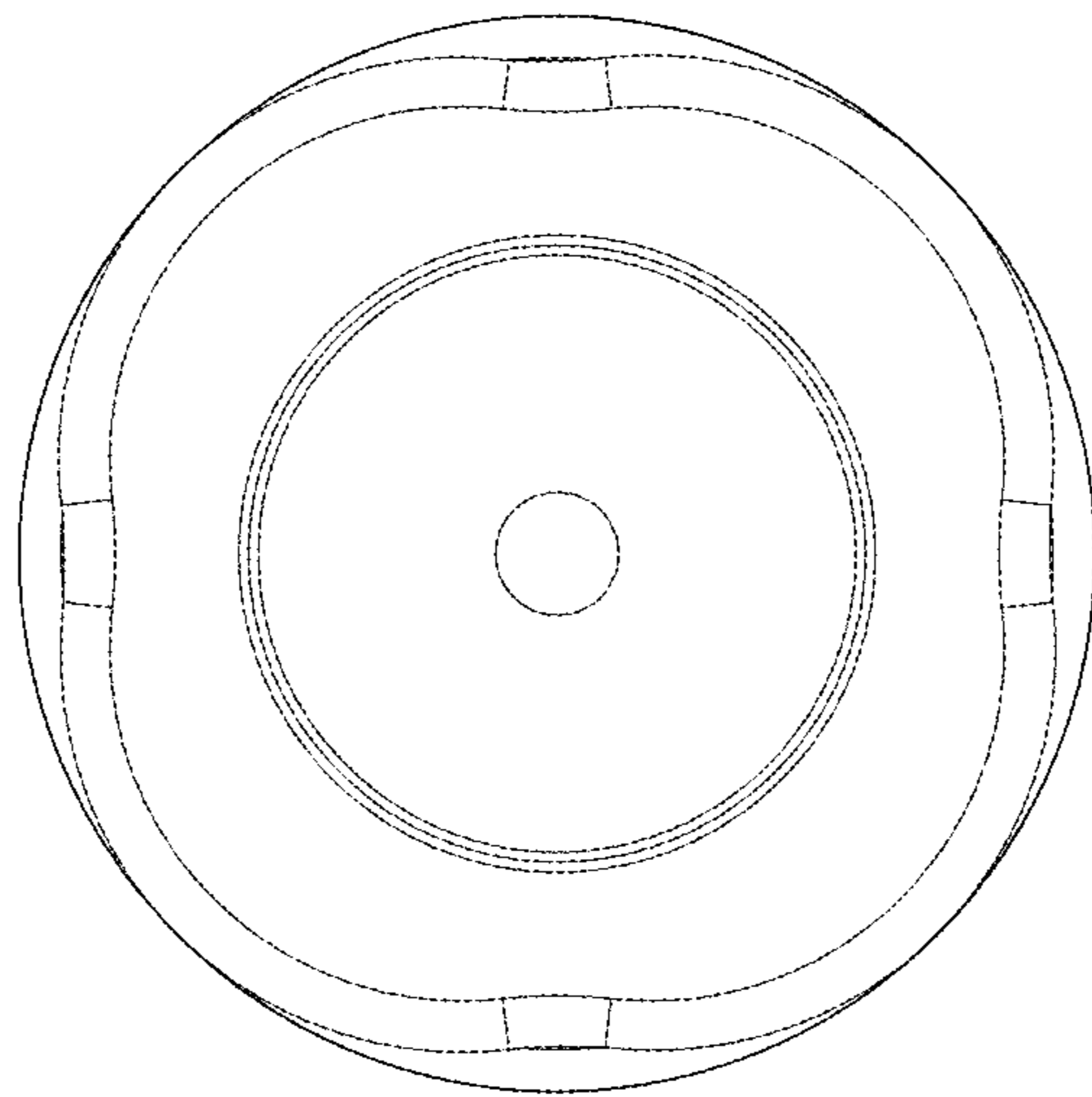


FIG. 3

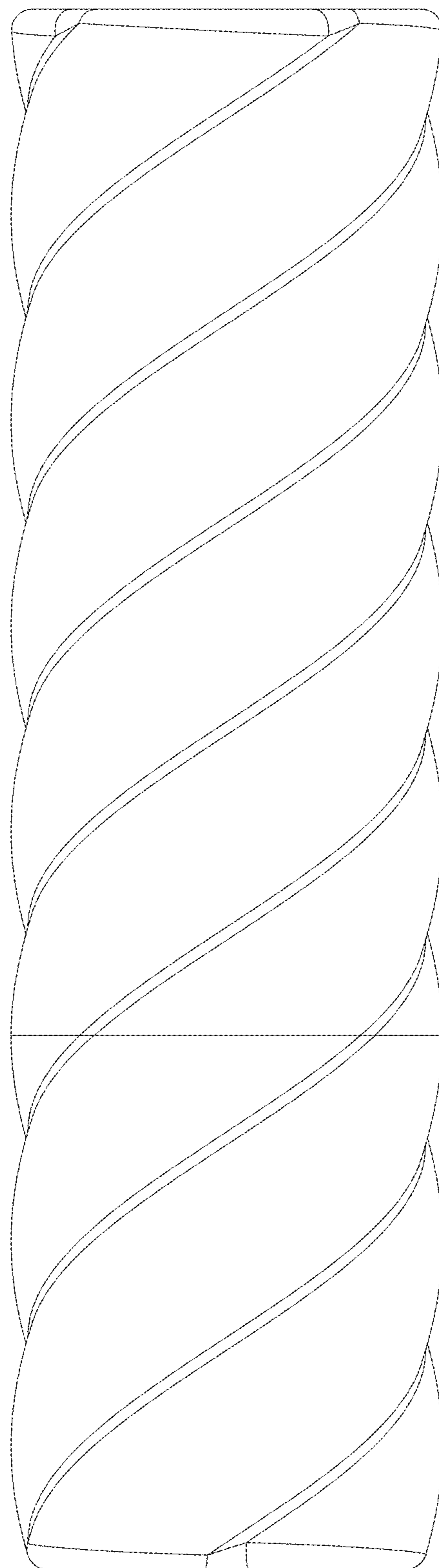


FIG. 4

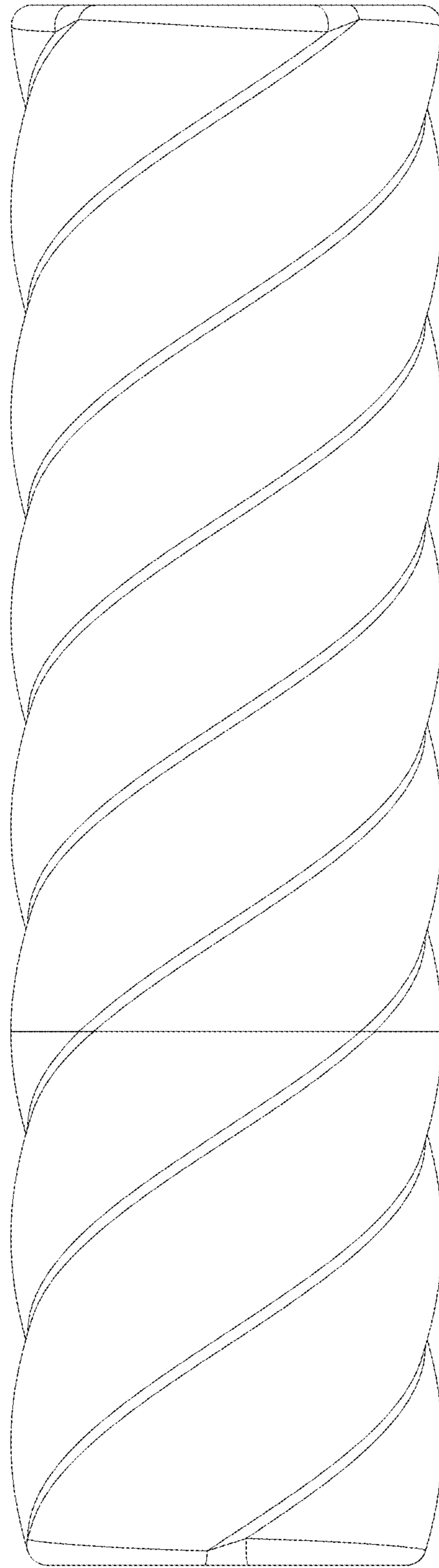


FIG. 5

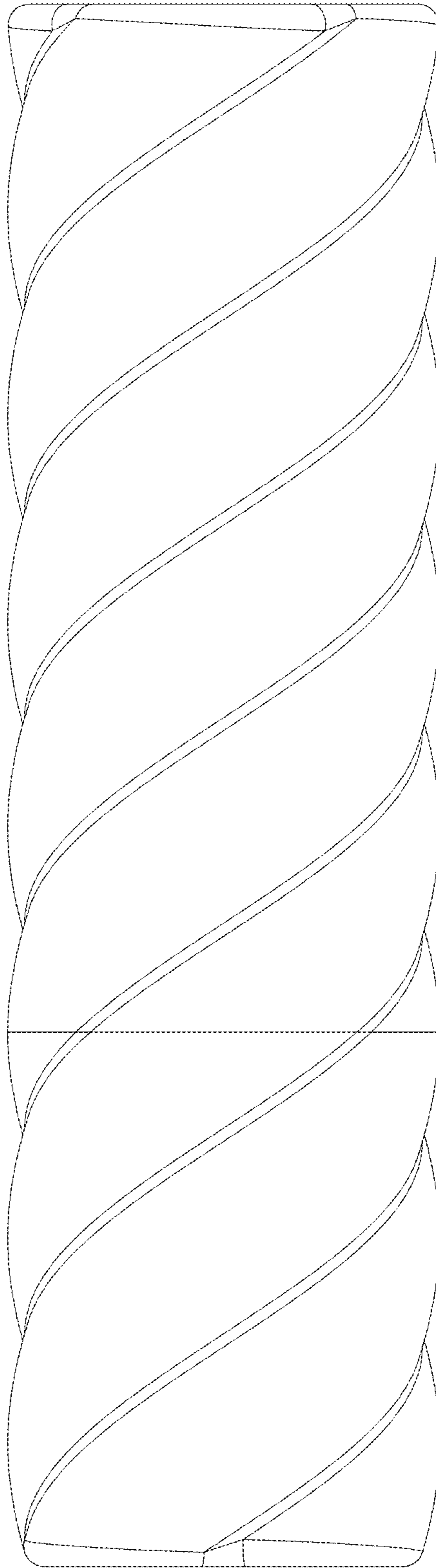


FIG. 6

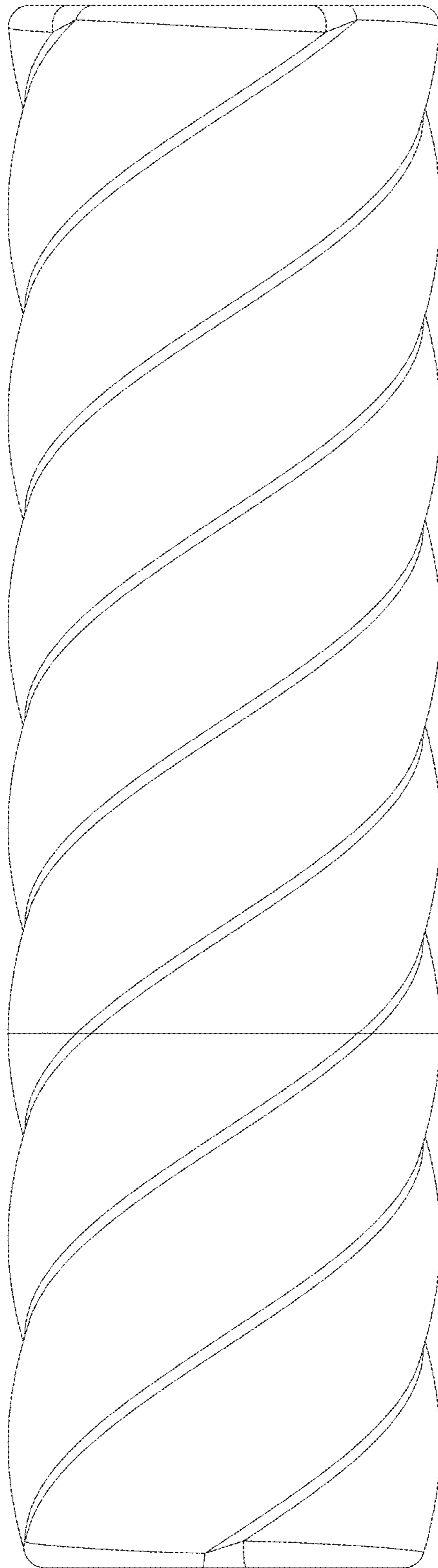


FIG. 7

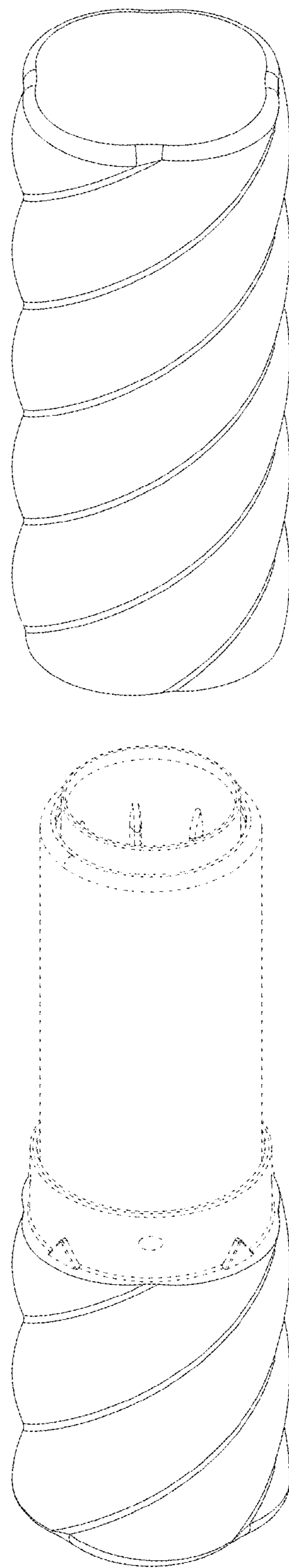


FIG. 8

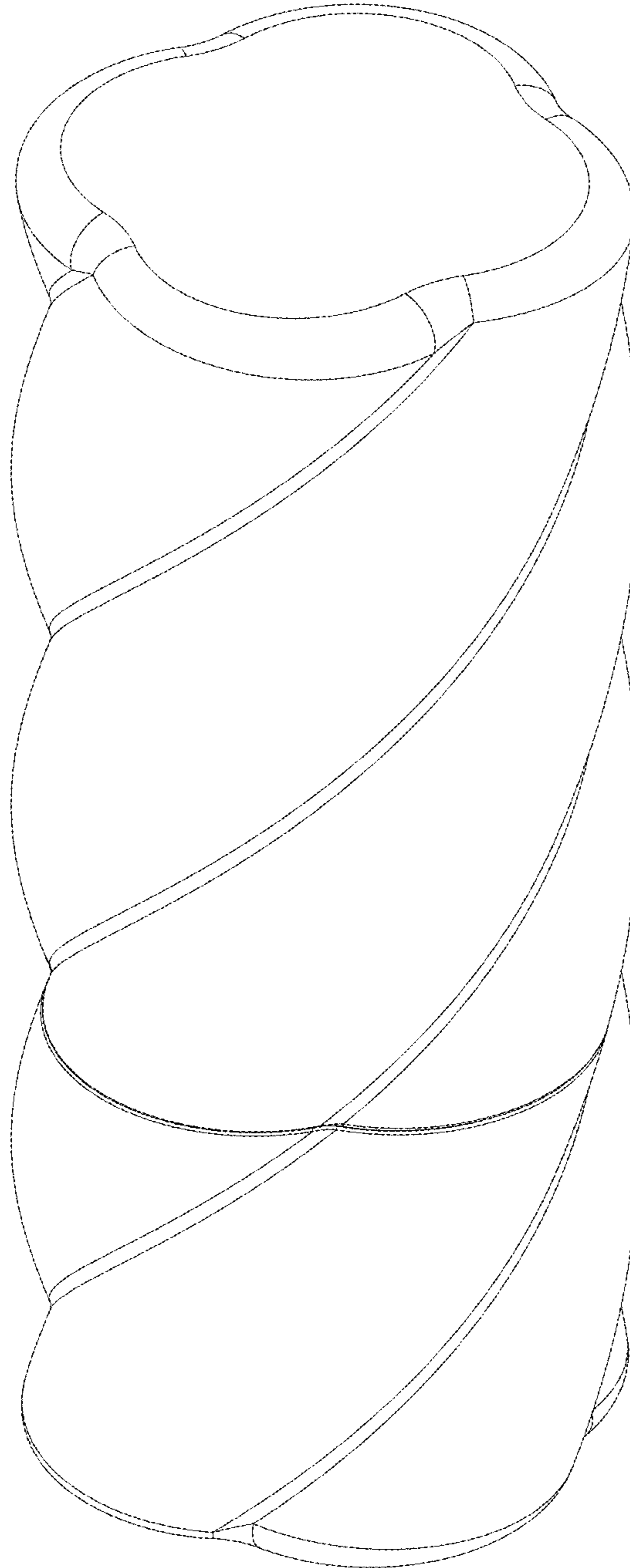


FIG. 9

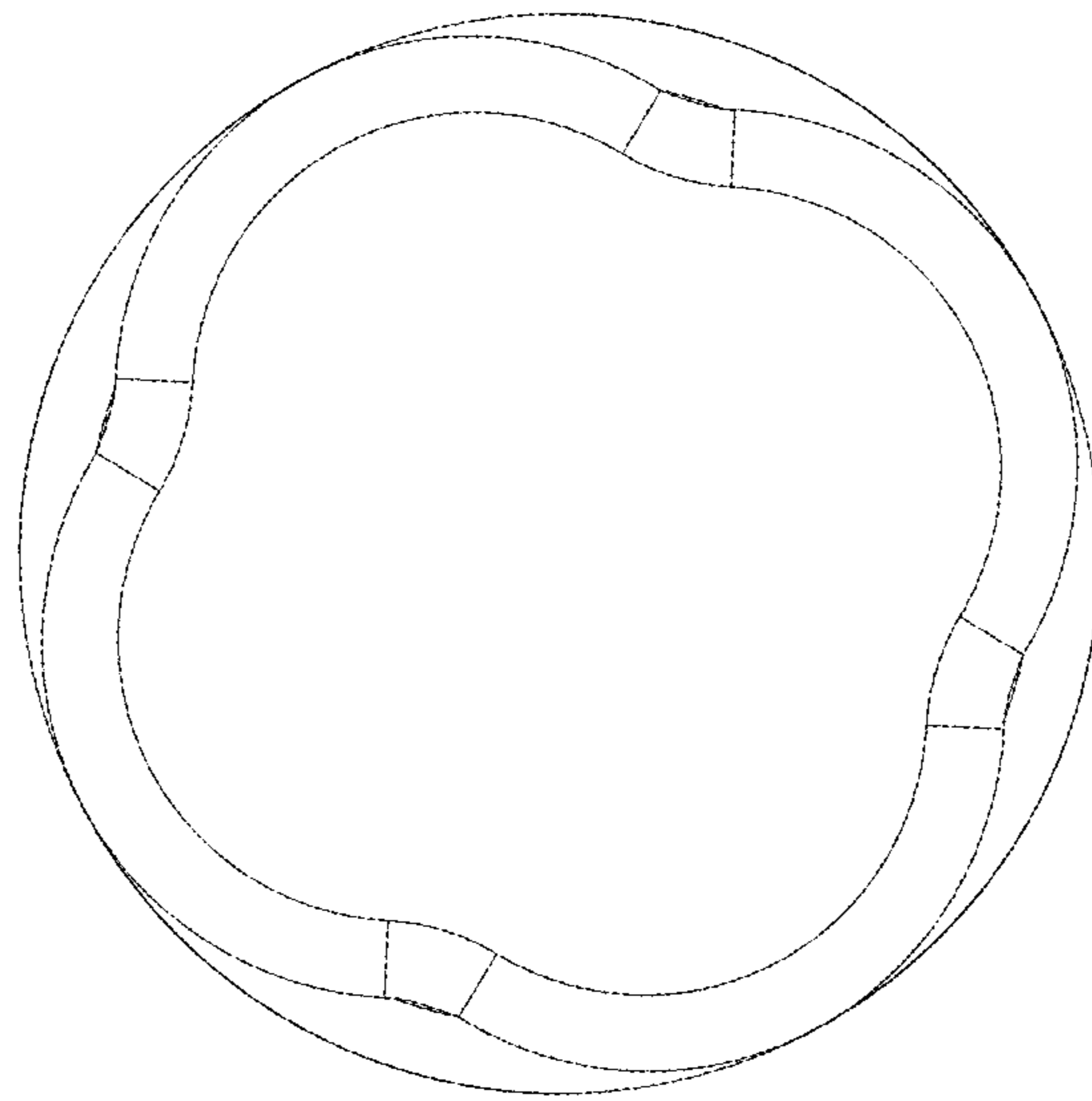


FIG. 10

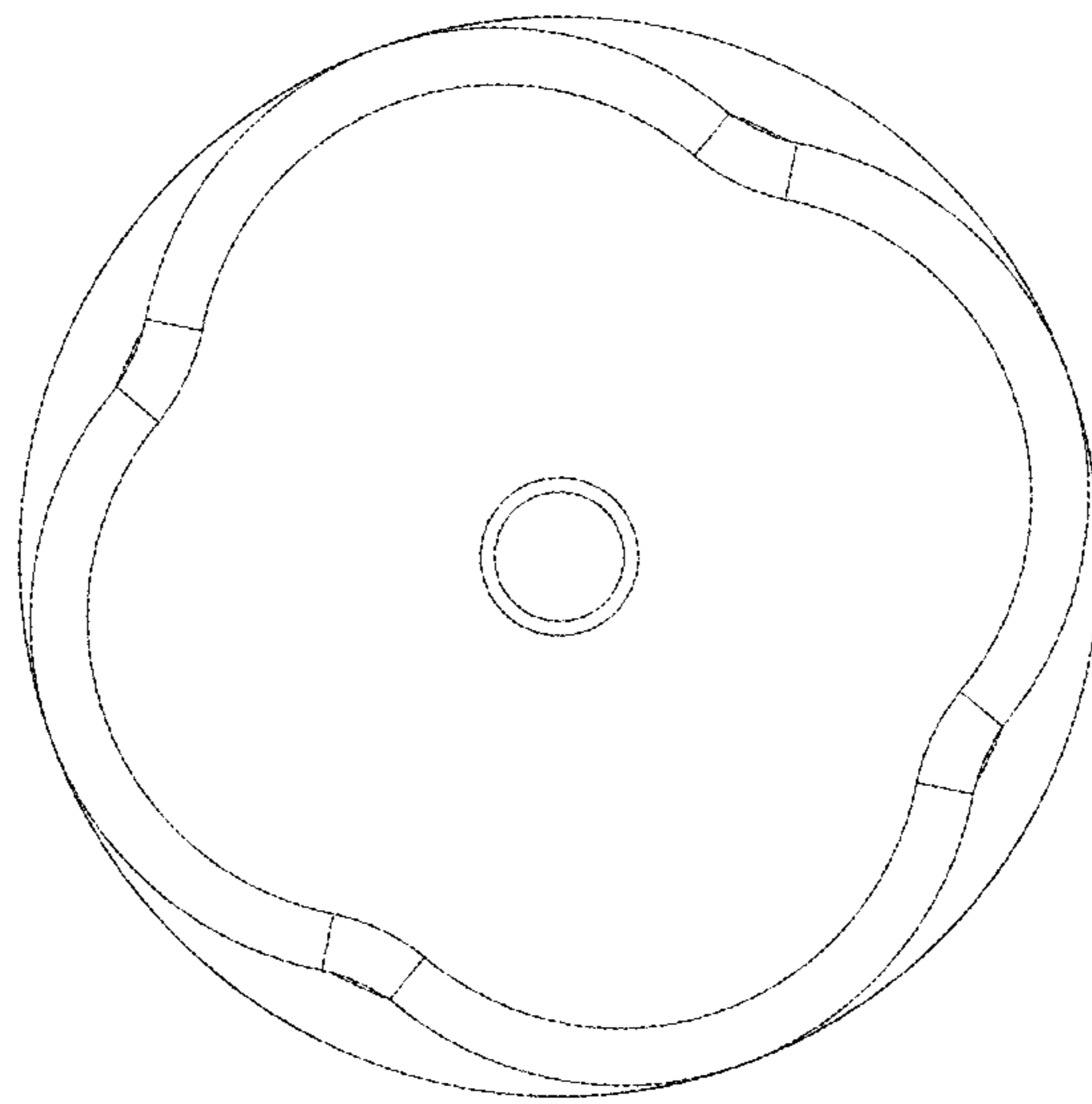


FIG. 11

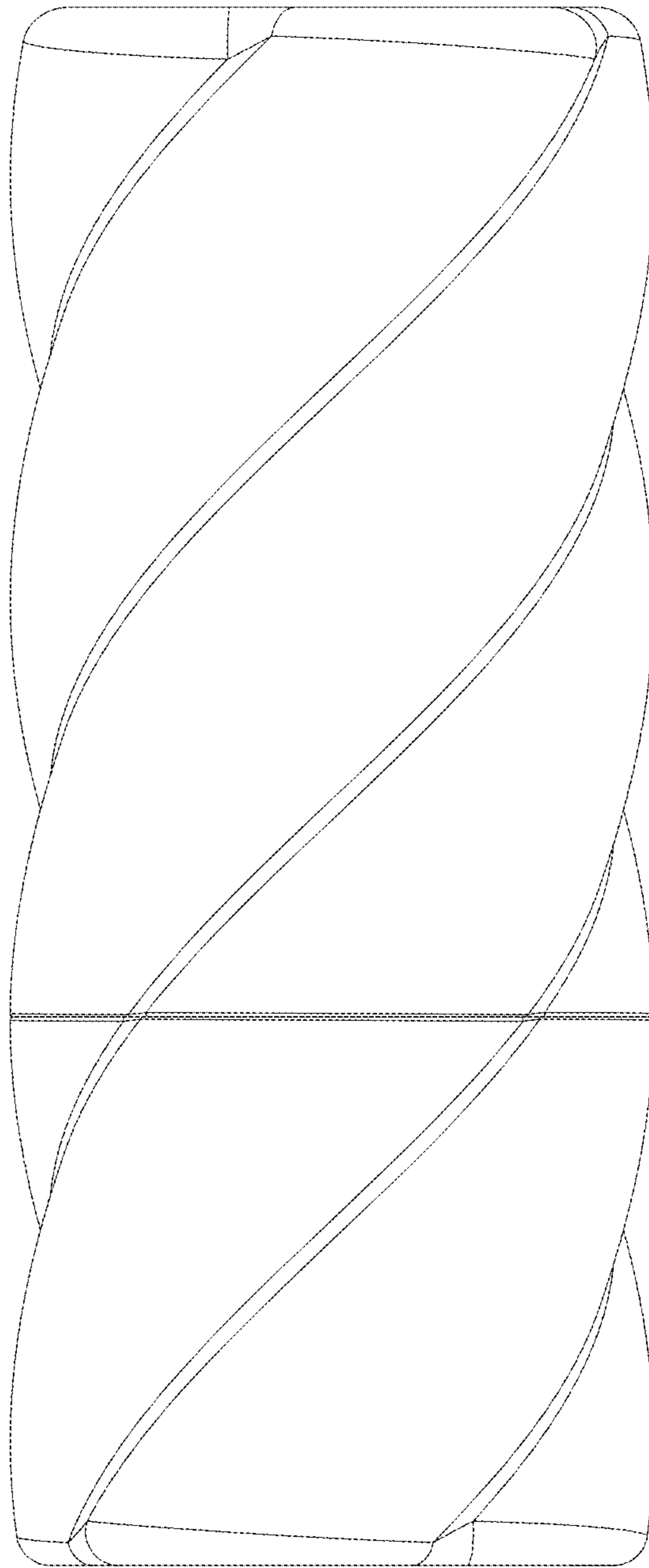


FIG. 12

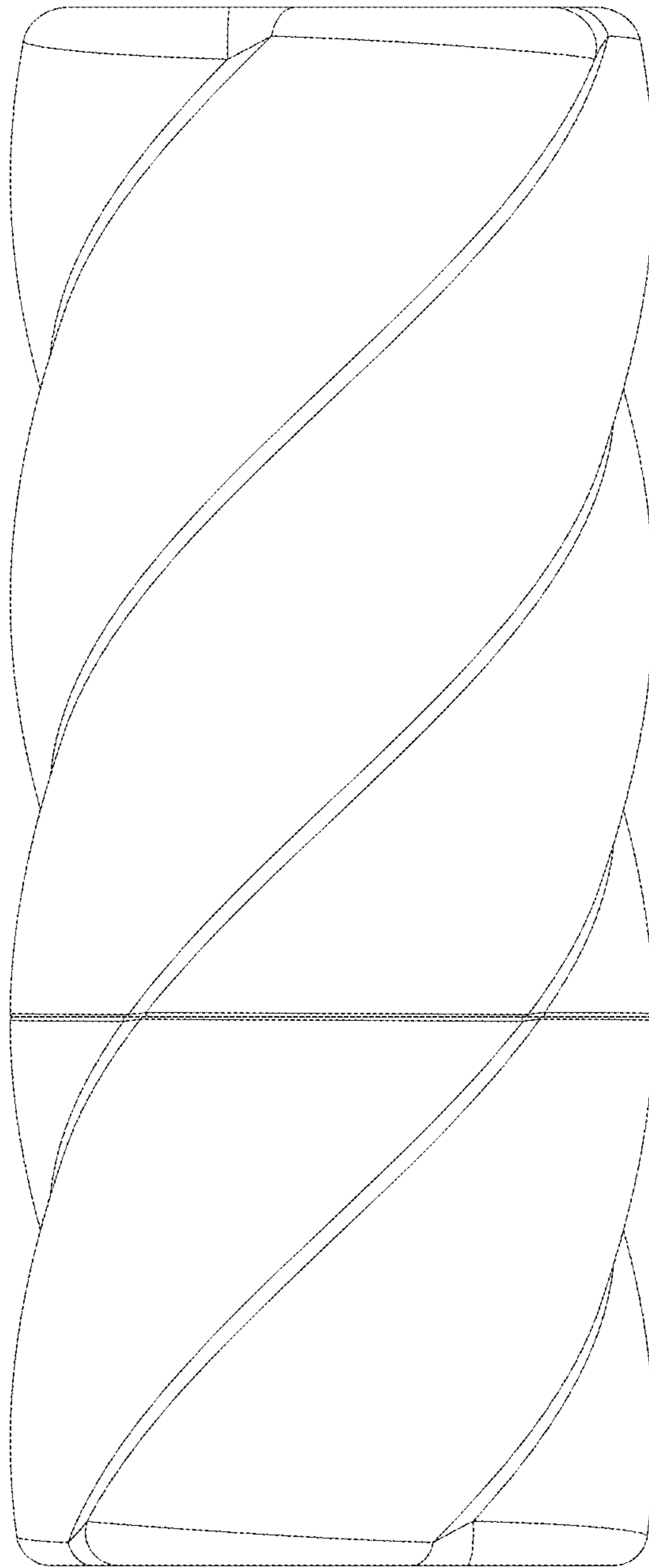


FIG. 13

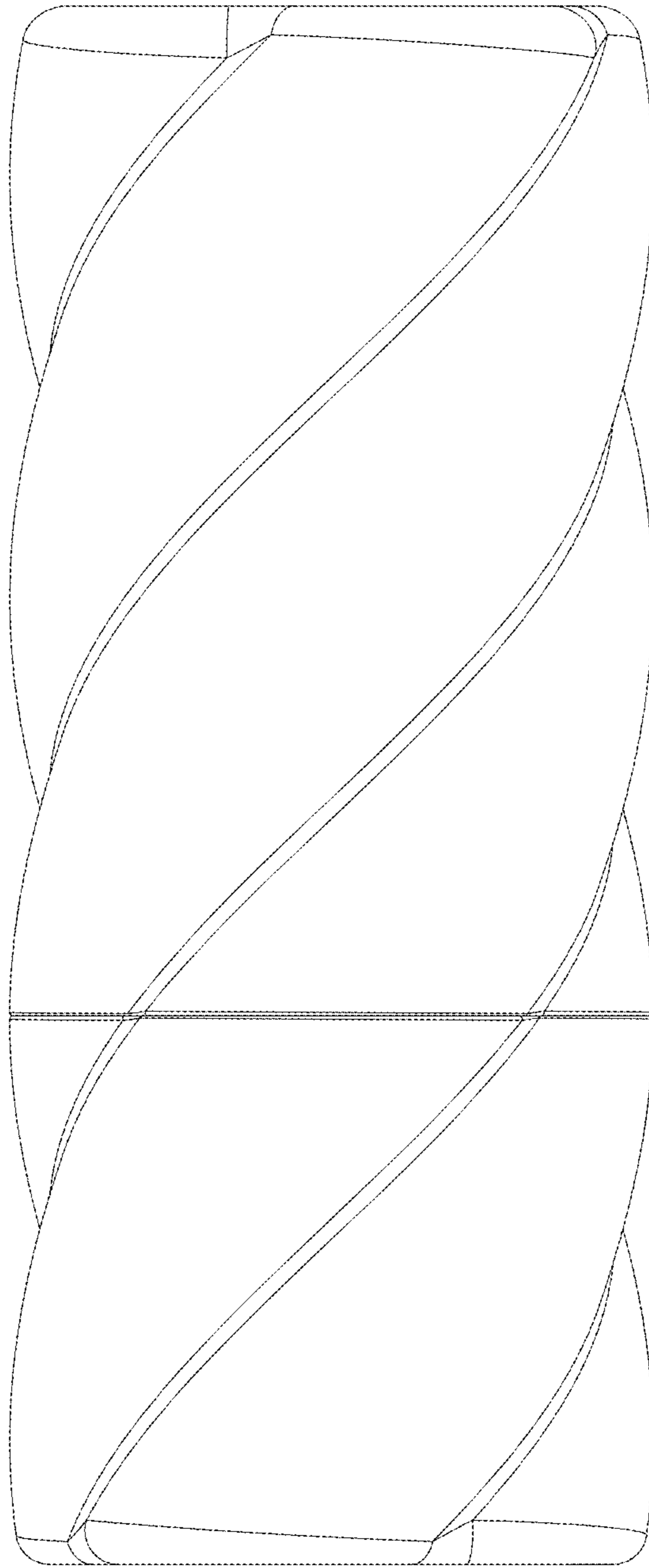


FIG. 14

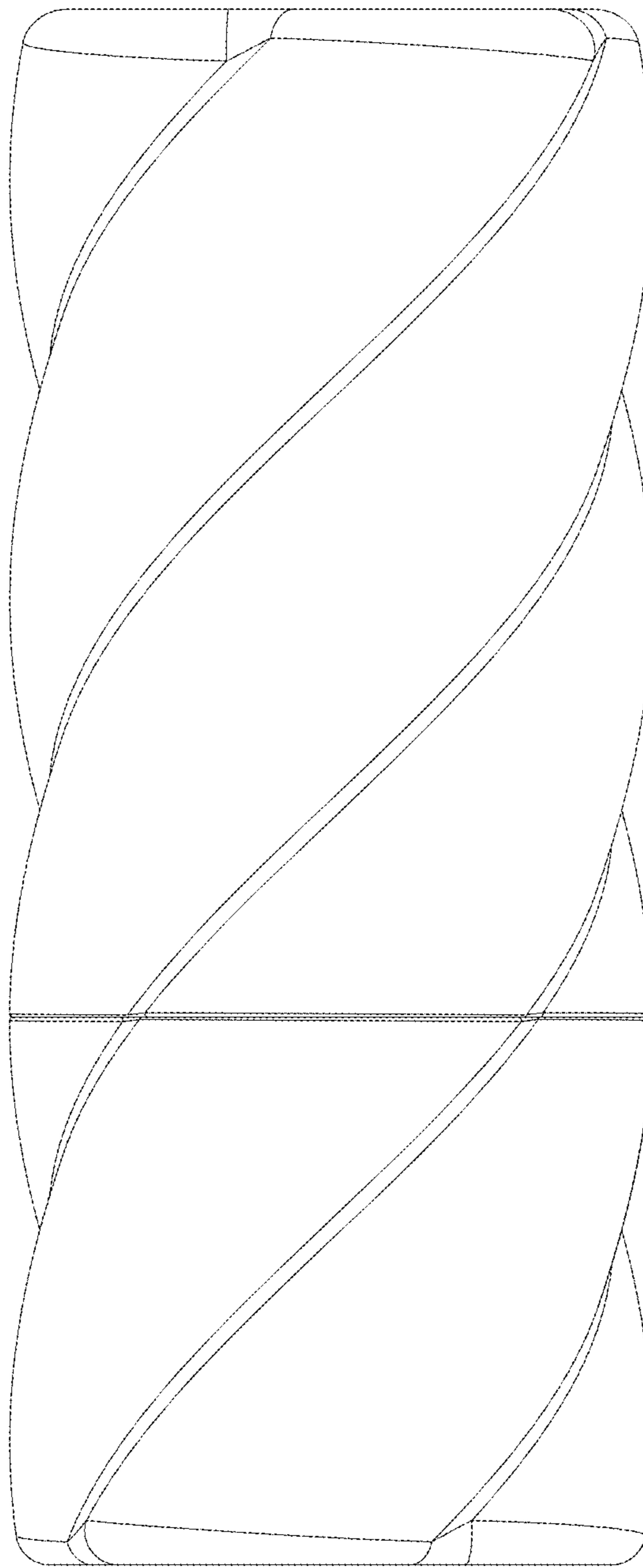


FIG. 15

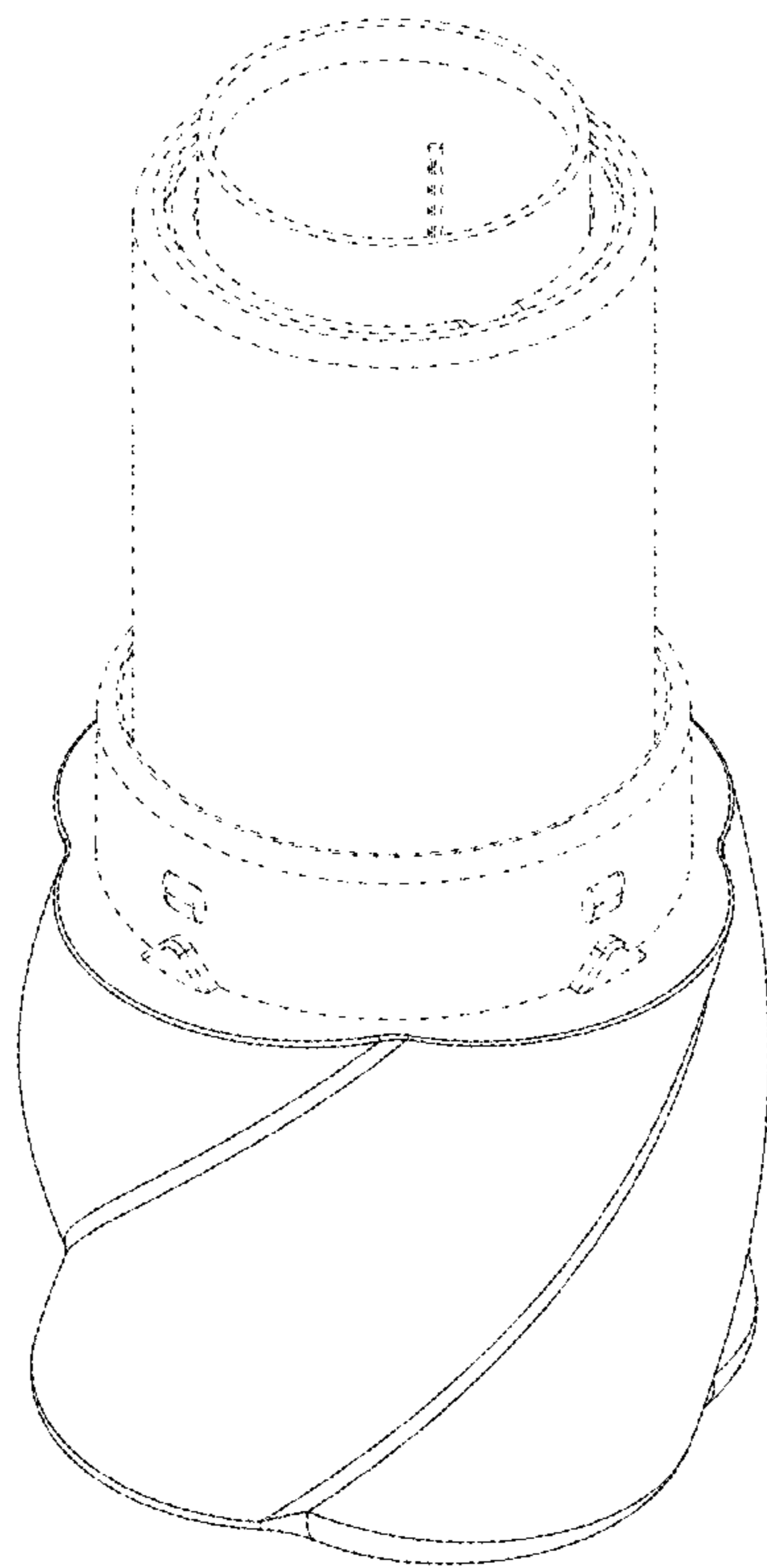
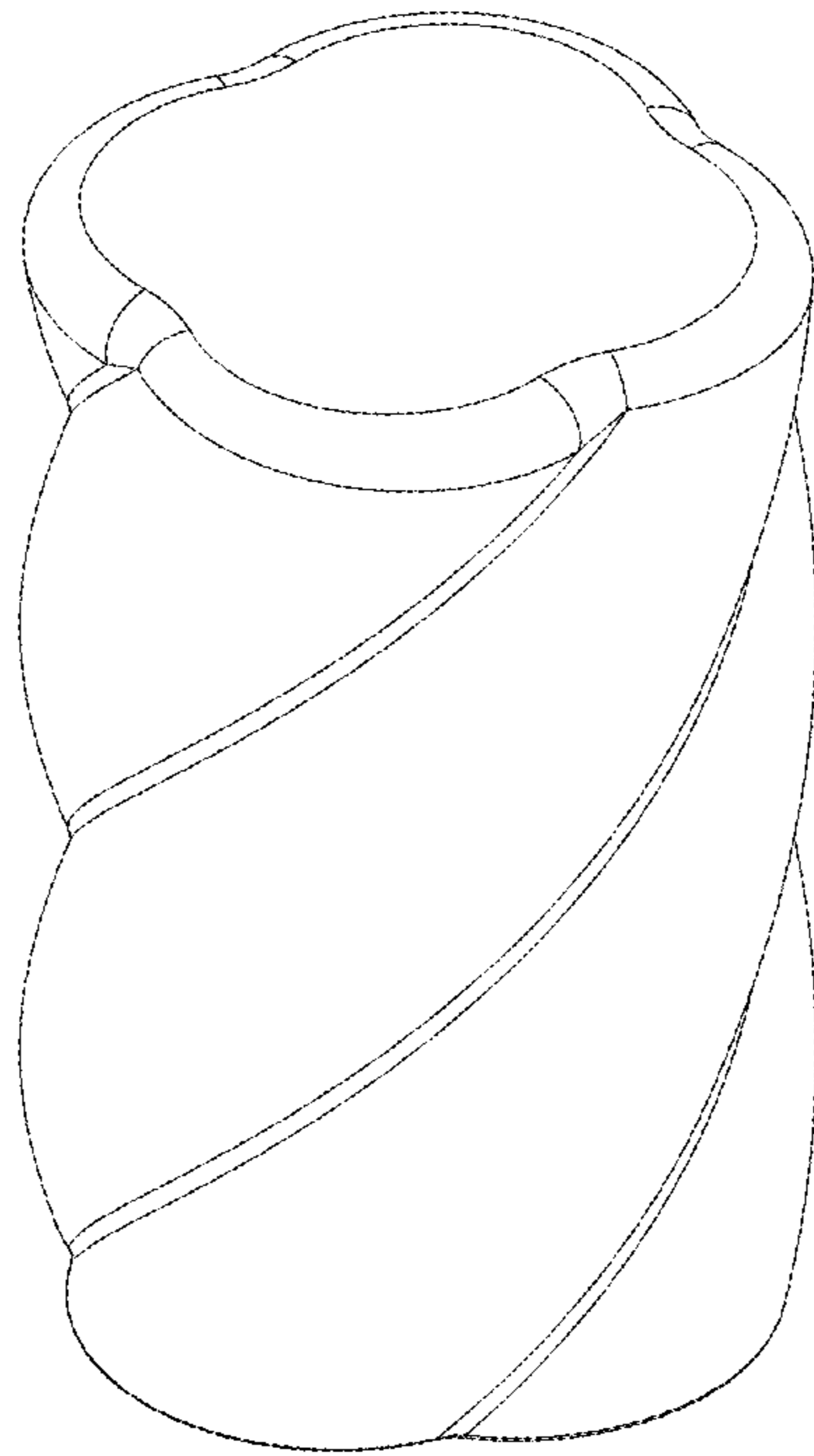


FIG. 16