



US00D883570S

(12) **United States Design Patent** (10) **Patent No.:** **US D883,570 S**  
**Liberatore** (45) **Date of Patent:** **\*\* May 5, 2020**

(54) **RAZOR CARTRIDGE**

(71) Applicant: **Mack-Ray, Inc.**, Bentonville, AR (US)

(72) Inventor: **Raymond A. Liberatore**, Bentonville, AR (US)

(73) Assignee: **Mack-Ray Inc.**, Bentonville, AR (US)

(\*\*) Term: **15 Years**

(21) Appl. No.: **29/686,834**

(22) Filed: **Apr. 8, 2019**

**Related U.S. Application Data**

(63) Continuation of application No. 29/577,229, filed on Sep. 10, 2016, now Pat. No. Des. 850,721, which is (Continued)

(51) **LOC (12) Cl.** ..... **28-03**

(52) **U.S. Cl.**  
USPC ..... **D28/47**

(58) **Field of Classification Search**  
USPC ..... D28/46-48, 49-51; D7/395, 401.2  
(Continued)

(56) **References Cited**

**U.S. PATENT DOCUMENTS**

5,784,790 A 7/1998 Carson et al.  
5,787,586 A 8/1998 Apprille, Jr. et al.  
(Continued)

**FOREIGN PATENT DOCUMENTS**

RU 63734 U1 6/2007  
WO 99/04938 A1 2/1999  
(Continued)

**OTHER PUBLICATIONS**

International Search Report with the Written Opinion issued for corresponding International Patent Application No. PCT/US 2015/018872 dated Jun. 4, 2015.

(Continued)

*Primary Examiner* — Jennifer Rivard

(74) *Attorney, Agent, or Firm* — Myers Wolin, LLC

(57) **CLAIM**

The ornamental design for a razor cartridge, as shown and described.

**DESCRIPTION**

FIG. 1 is a perspective view taken from the top of one embodiment of a razor cartridge of my new design; FIG. 2 is a perspective view taken from bottom of one embodiment of a razor cartridge of my new design; FIG. 3 is a bottom view thereof; FIG. 4 is a top view thereof; FIG. 5 is a front edge view thereof; FIG. 6 is a rear edge view thereof; FIG. 7 is a side view thereof; FIG. 8 is a perspective view taken from the top of an alternate embodiment of a razor cartridge of my new design; FIG. 9 is a perspective view taken from bottom of an alternate embodiment of a razor cartridge of my new design; FIG. 10 is a bottom view thereof; FIG. 11 is a top view thereof; FIG. 12 is a front edge view thereof; FIG. 13 is a bottom edge view thereof; FIG. 14 is a side view thereof; FIG. 15 is a perspective view taken from the top of an alternate embodiment of a razor cartridge of my new design; FIG. 16 is a perspective view taken from bottom of an alternate embodiment of a razor cartridge of my new design; FIG. 17 is a bottom view thereof; FIG. 18 is a top view thereof; FIG. 19 is a front edge view thereof; FIG. 20 is a bottom edge view thereof; FIG. 21 is a side view thereof; FIG. 22 is a perspective view taken from the top of an alternate embodiment of a razor cartridge of my new design; FIG. 23 is a perspective view taken from bottom of an alternate embodiment of a razor cartridge of my new design; FIG. 24 is a bottom view thereof; FIG. 25 is a top view thereof; FIG. 26 is a front edge view thereof;

(Continued)

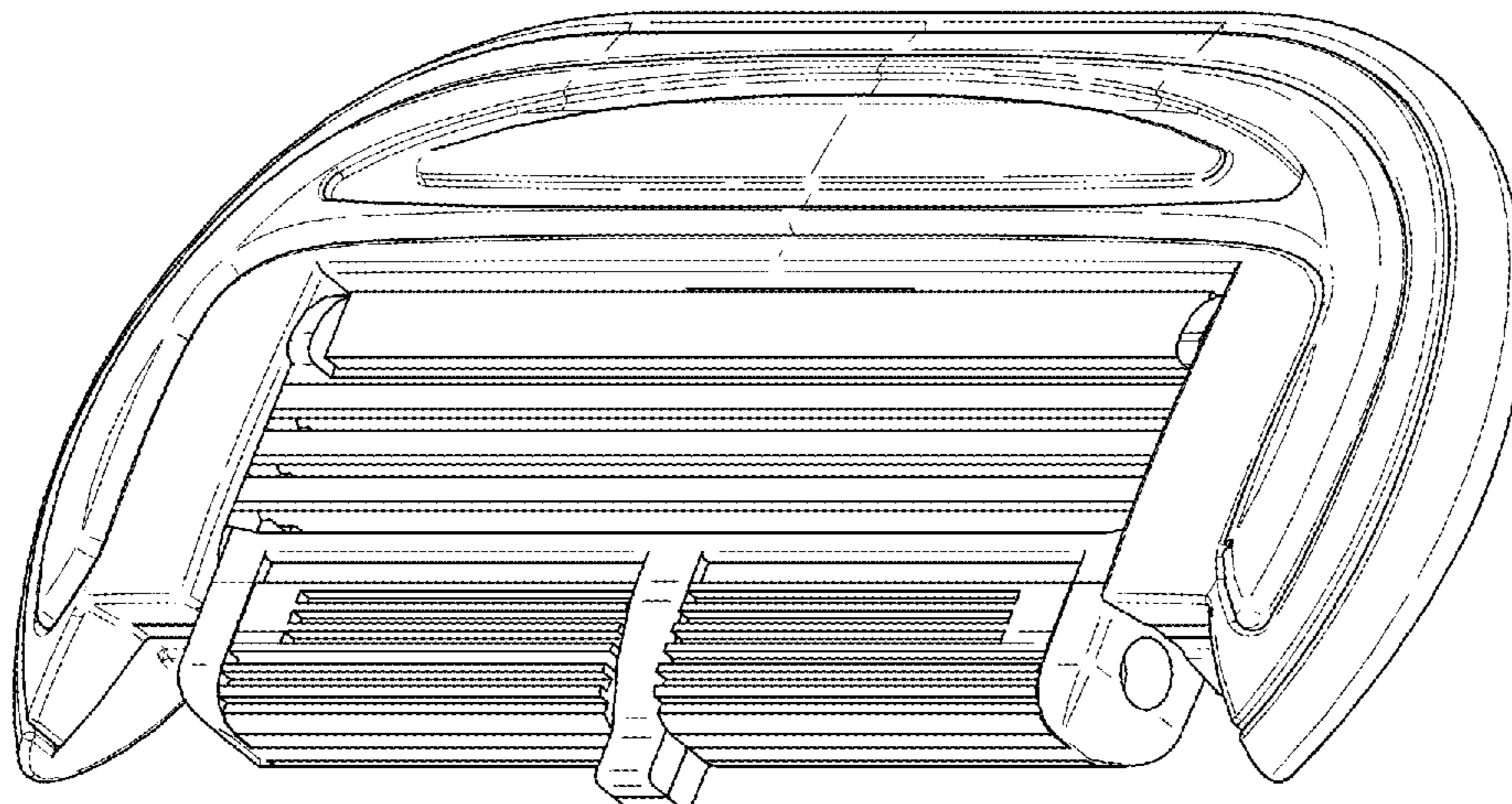


FIG. 27 is a bottom edge view thereof; and, FIG. 28 is a side view thereof. The broken lines illustrate portions of the razor cartridge that form no part of the claimed design.

**1 Claim, 12 Drawing Sheets**

**Related U.S. Application Data**

a continuation-in-part of application No. PCT/US2015/018872, filed on Mar. 5, 2015, and a continuation-in-part of application No. PCT/US2016/015898, filed on Feb. 1, 2016.

(58) **Field of Classification Search**

CPC ... B26B 21/00; B26B 21/08; B26B 21/14-38; B26B 21/40; B26B 21/4006; B26B 21/4012-4031; B26B 21/4037; B26B 21/405-4056; B26B 21/4062; B26B 21/4068-4075; B26B 21/48; B26B 21/52-528

See application file for complete search history.

(56) **References Cited**

U.S. PATENT DOCUMENTS

5,813,293 A 9/1998 Apprille, Jr. et al.  
 5,855,071 A 1/1999 Apprille, Jr. et al.  
 5,918,369 A 7/1999 Apprille, Jr. et al.  
 5,956,851 A 9/1999 Apprille, Jr. et al.  
 6,026,577 A 2/2000 Ferraro  
 6,029,354 A 2/2000 Apprille, Jr. et al.  
 6,311,400 B1 11/2001 Hawes et al.

6,317,990 B1 11/2001 Ferraro  
 6,868,610 B2 \* 3/2005 Brandt ..... B26B 21/40  
 30/140  
 7,168,173 B2 1/2007 Worrick, III et al.  
 7,690,122 B2 4/2010 Worrick, III et al.  
 7,770,294 B2 8/2010 Bruno et al.  
 D635,716 S \* 4/2011 Rhoad ..... D28/46  
 D661,426 S \* 6/2012 Wain ..... D28/47  
 D664,713 S \* 7/2012 Christie ..... D28/47  
 D674,553 S \* 1/2013 Barrow ..... D28/48  
 D739,604 S \* 9/2015 Christie ..... D28/48  
 D745,215 S \* 12/2015 Go ..... D28/48  
 D750,324 S \* 2/2016 Bae ..... D28/48  
 D768,929 S \* 10/2016 Go ..... D28/48  
 D789,609 S \* 6/2017 Kong ..... D28/48  
 D806,950 S \* 1/2018 Robertson ..... D28/46  
 D822,279 S \* 7/2018 Newman ..... D28/48  
 D837,452 S \* 1/2019 Goeder ..... D28/47  
 D843,060 S \* 3/2019 Fyfield ..... D28/48  
 D850,721 S \* 6/2019 Liberatore ..... B26B 21/4037  
 D28/47

FOREIGN PATENT DOCUMENTS

WO 2012/028413 A1 3/2012  
 WO 2012/172381 A1 12/2012

OTHER PUBLICATIONS

Restriction Requirement issued by the United States Patent and Trademark Office for corresponding U.S. Appl. No. 29/577,229, dated Feb. 16, 2018.

Non-Final Office Action issued by the United States Patent and Trademark Office for corresponding U.S. Appl. No. 29/577,229, dated Jul. 30, 2018.

\* cited by examiner



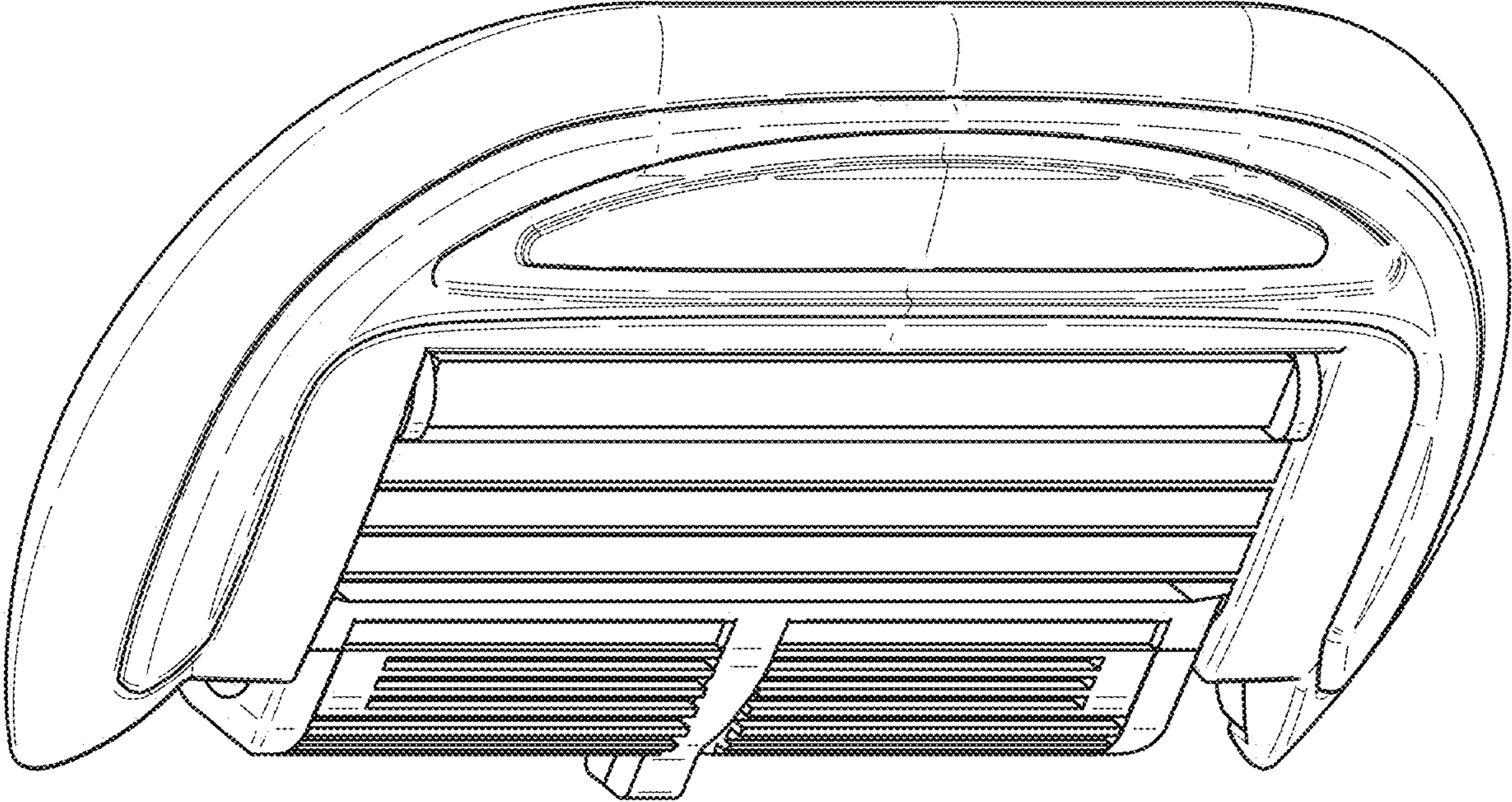


FIG. 1

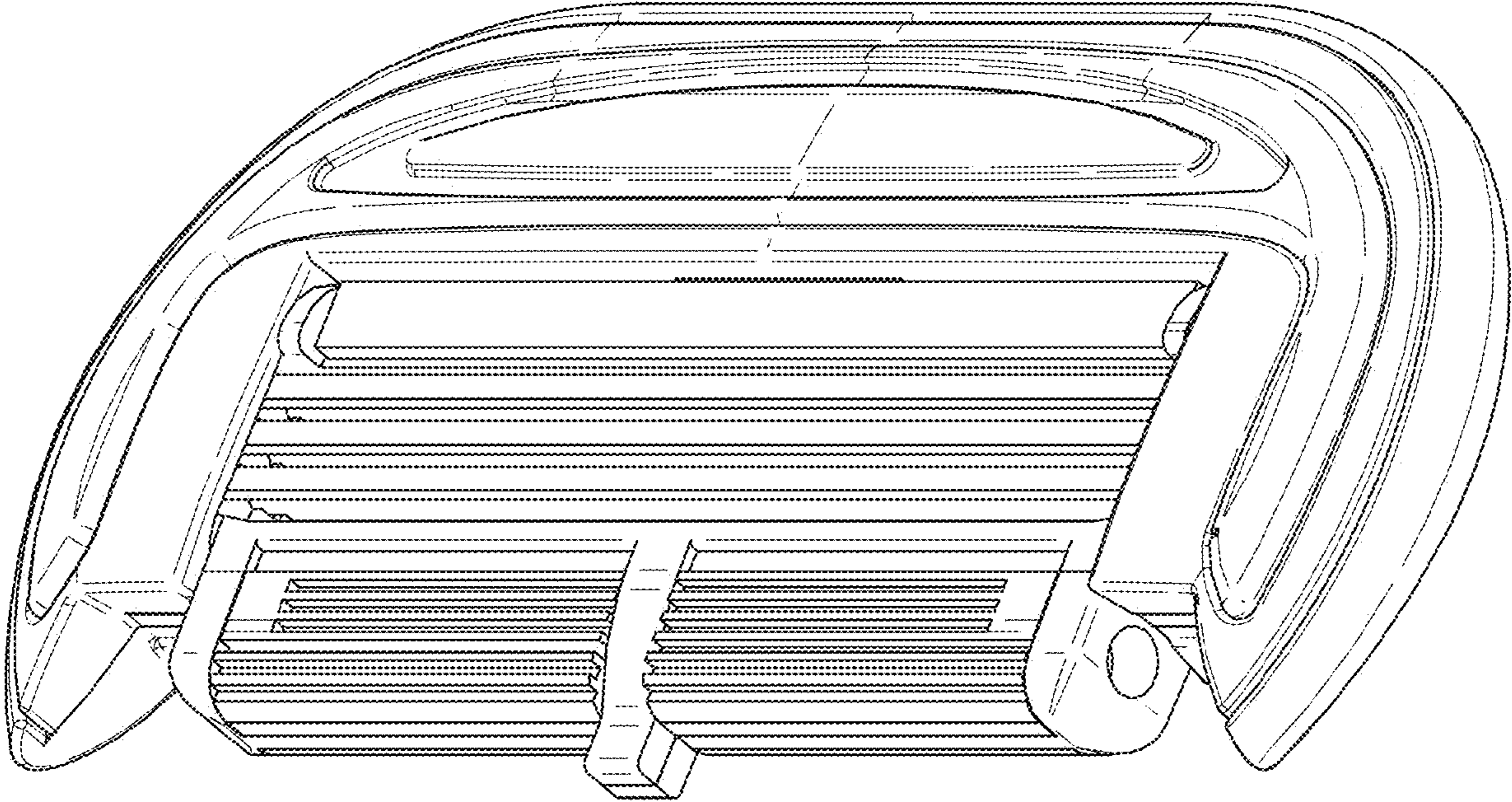
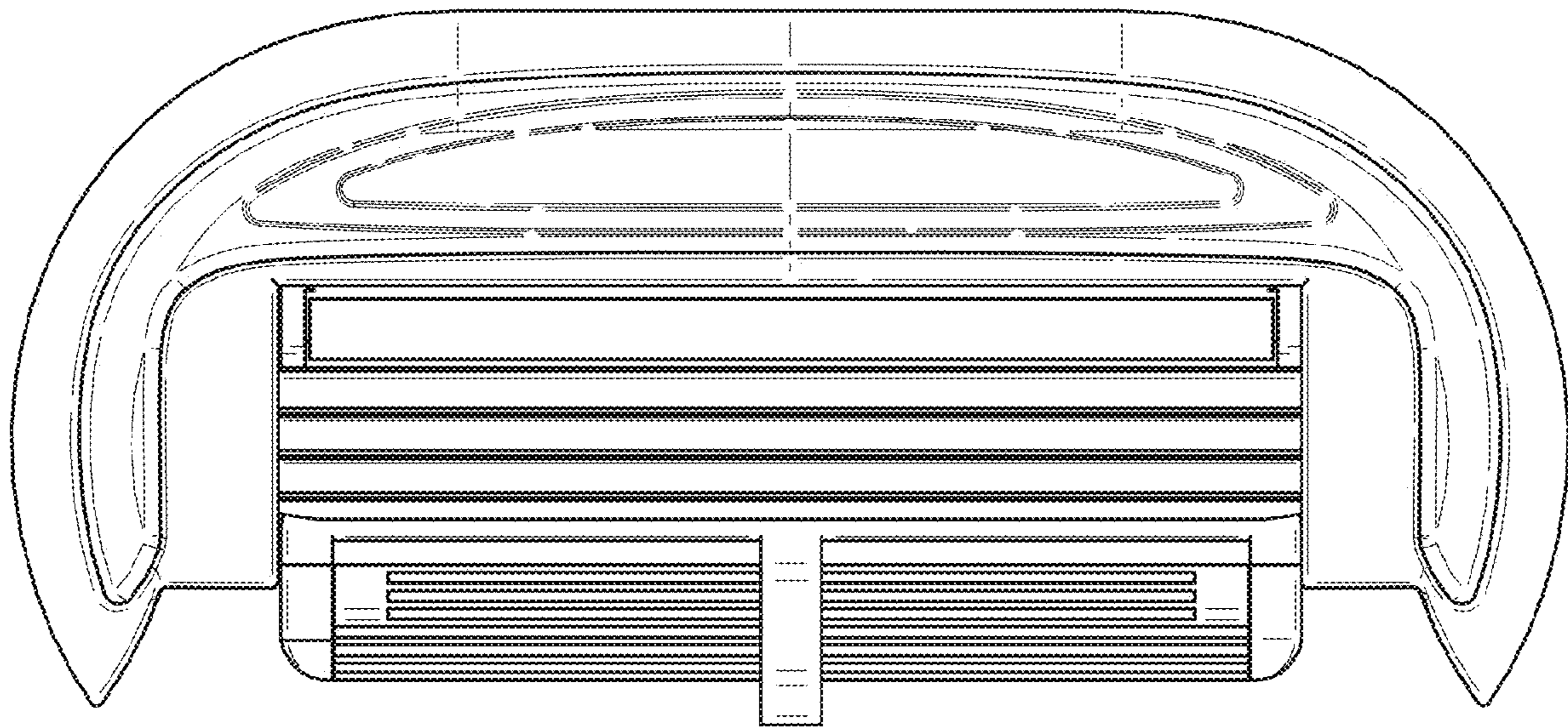
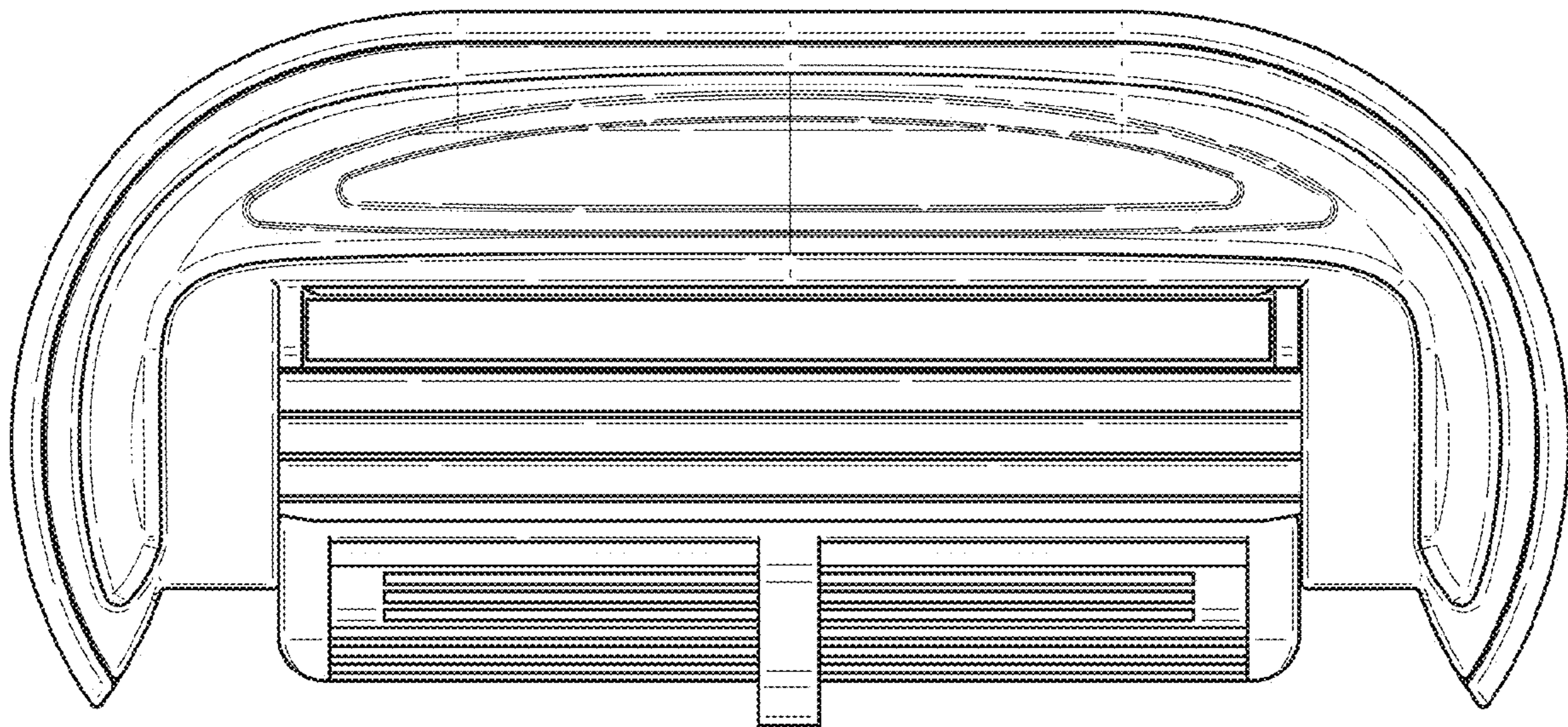


FIG. 2

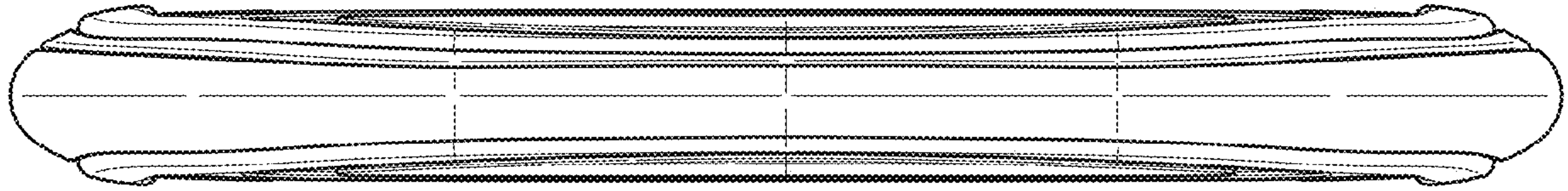


*FIG. 3*

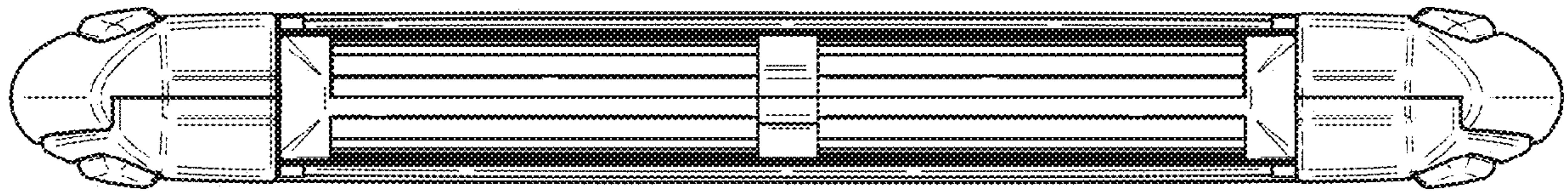


*FIG. 4*

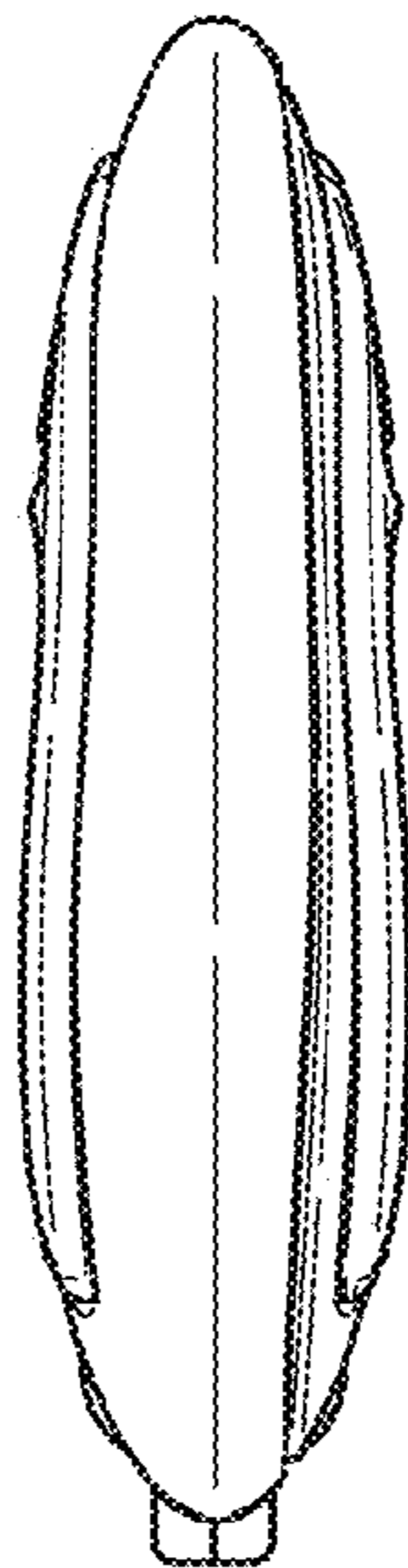




*FIG. 5*



*FIG. 6*



*FIG. 7*

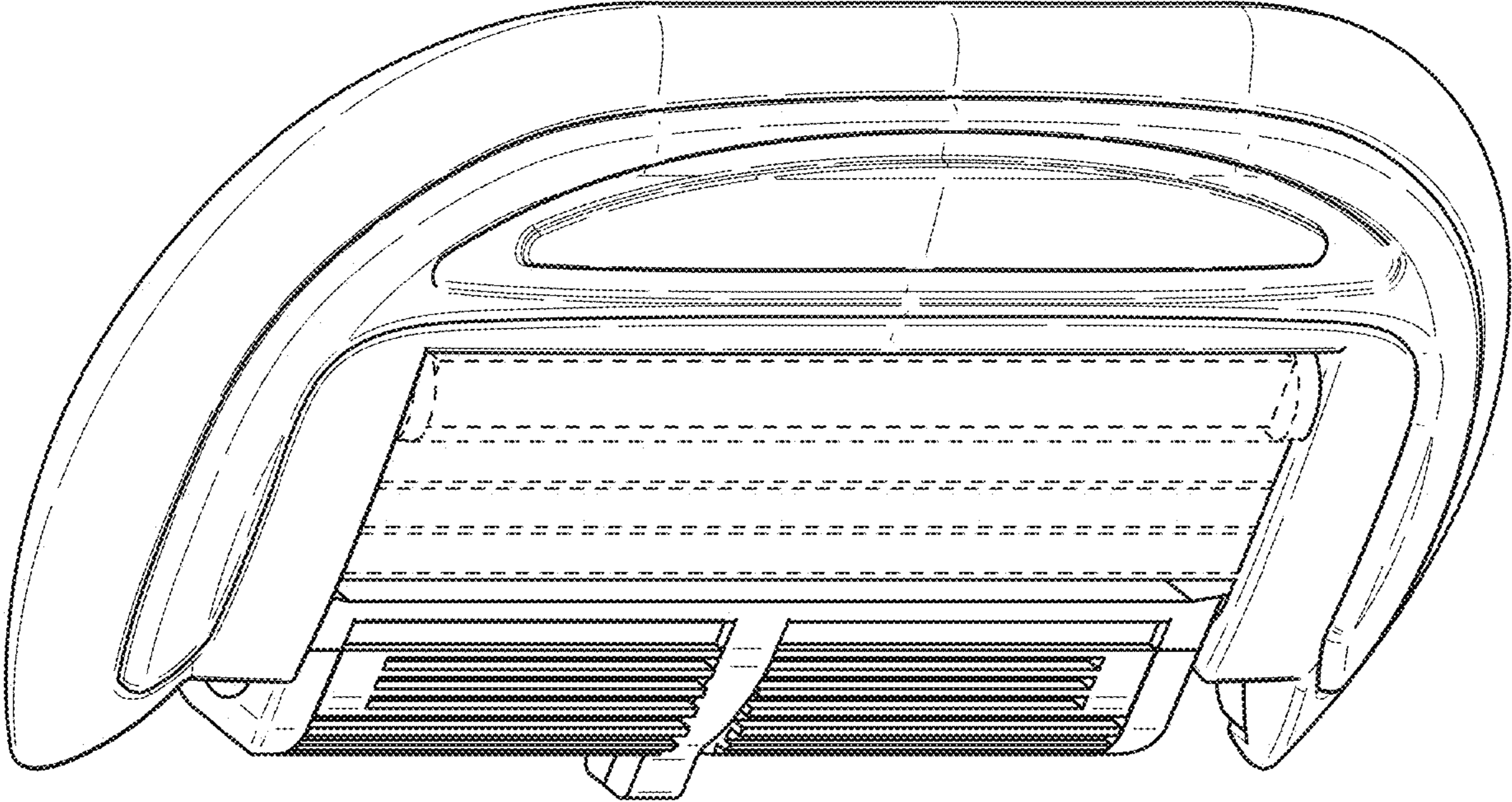


FIG. 8

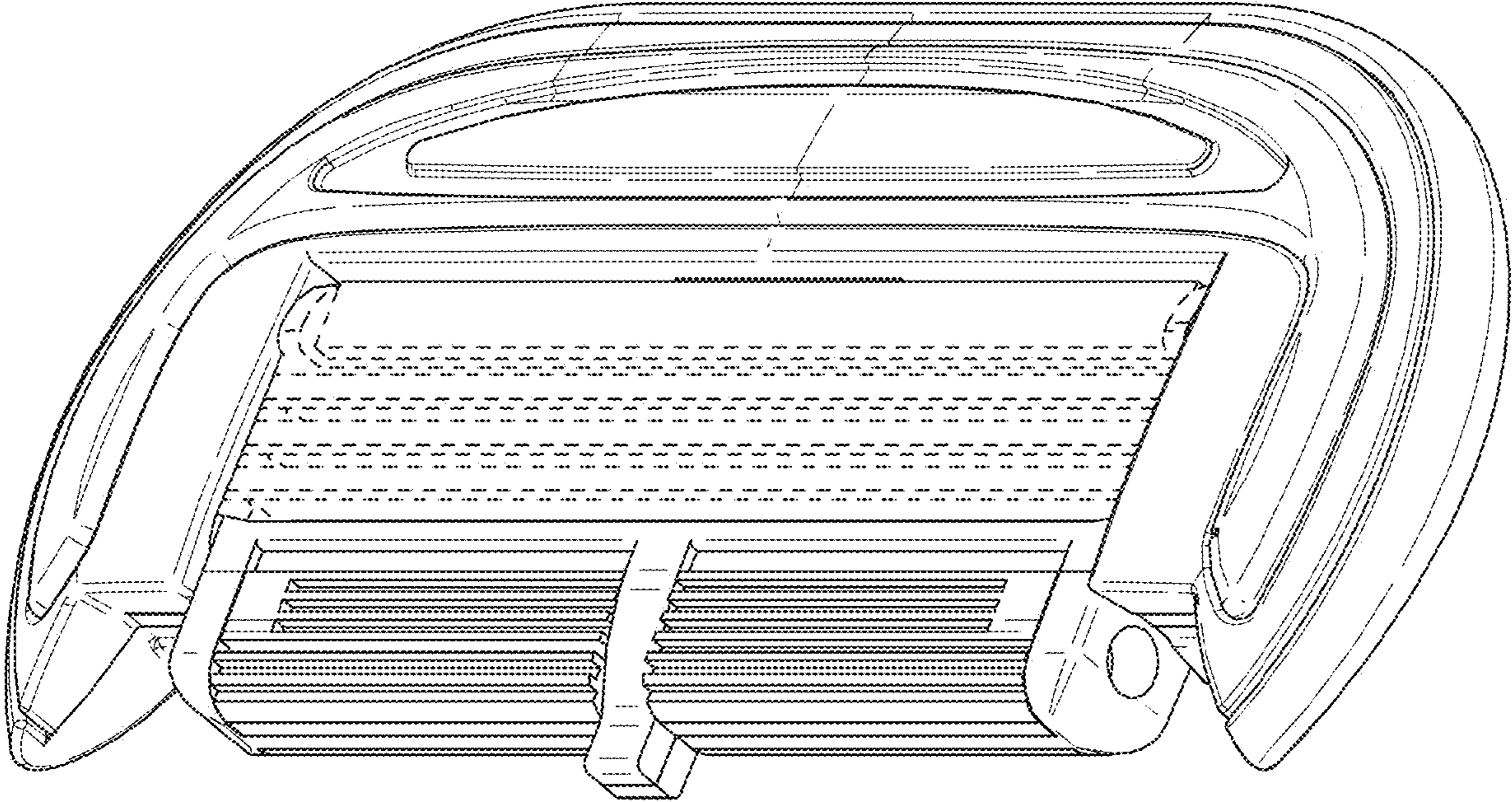


FIG. 9



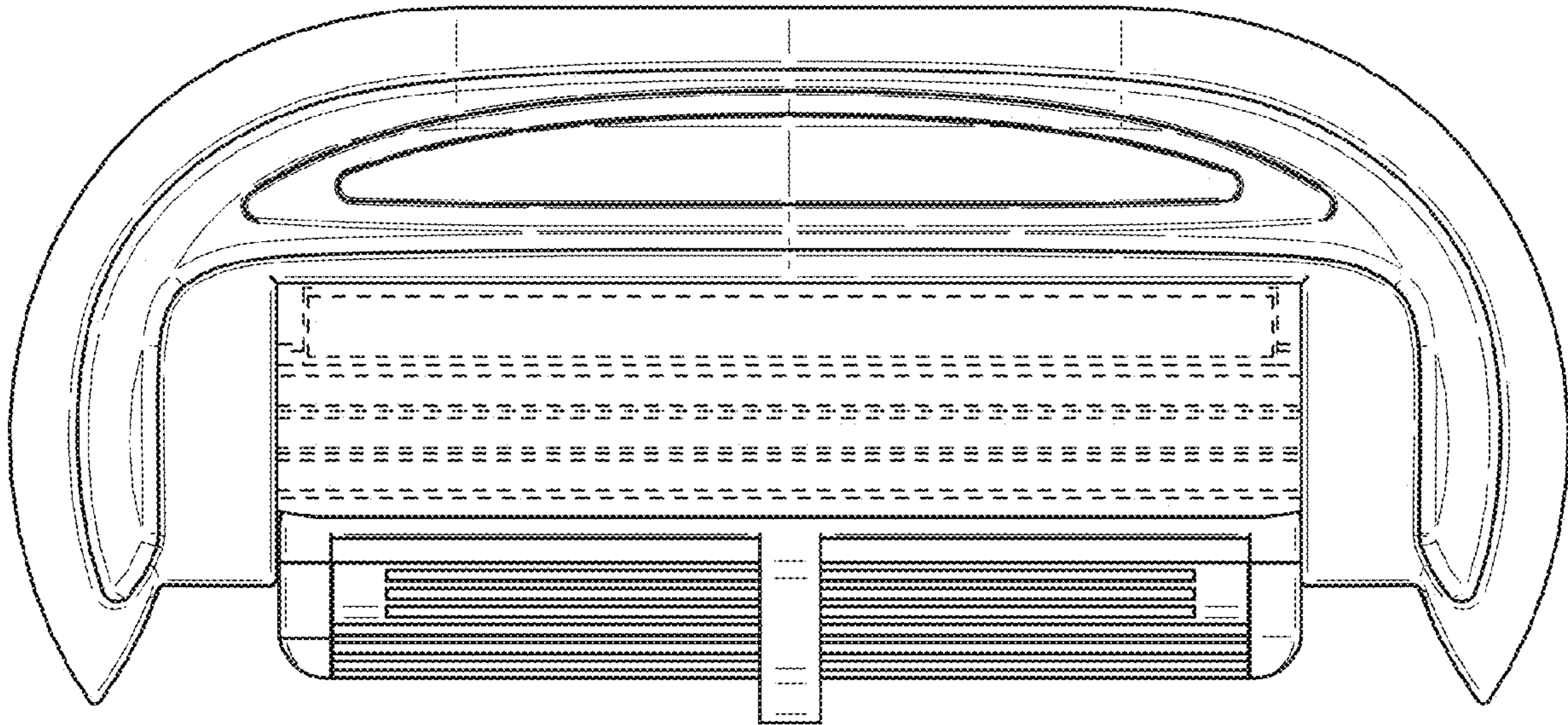


FIG. 10

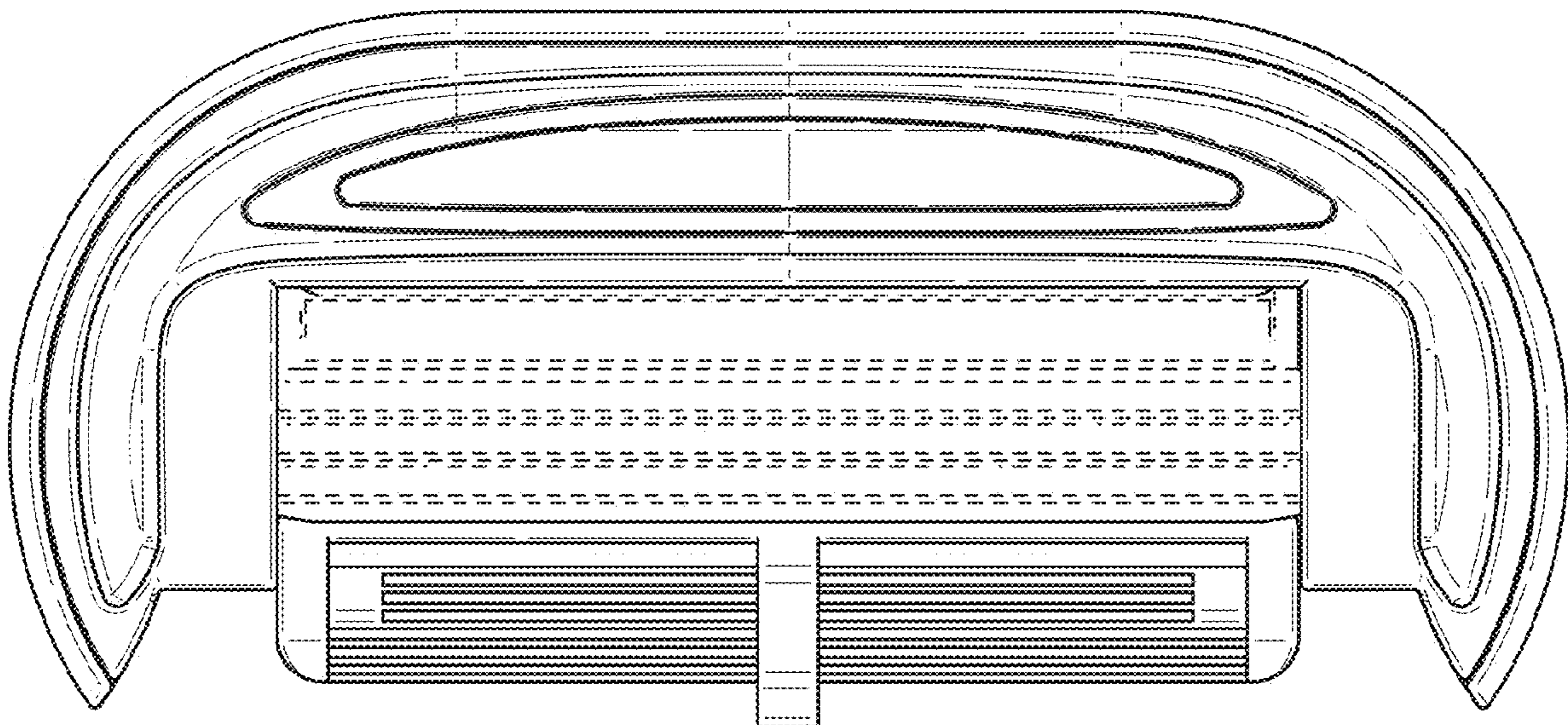
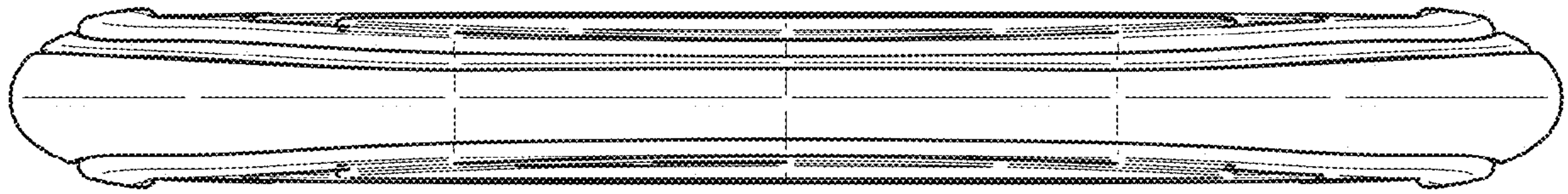
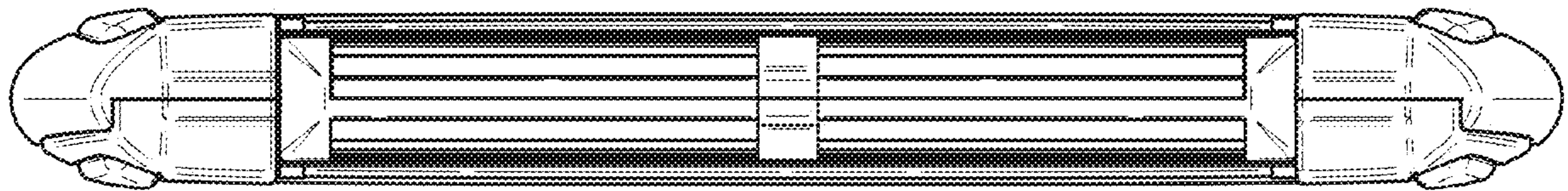


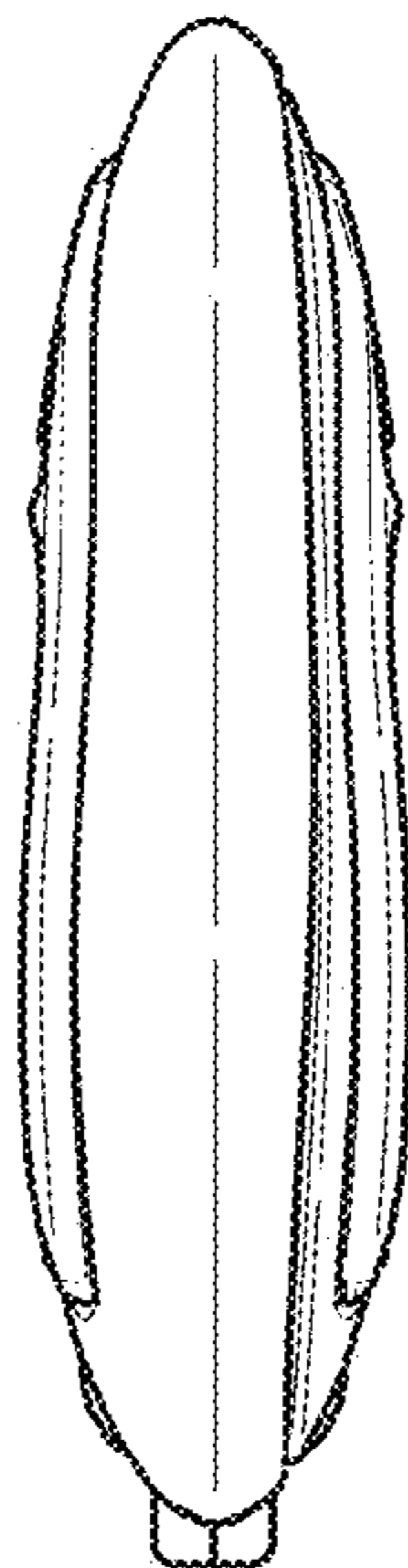
FIG. 11



*FIG. 12*



*FIG. 13*



*FIG. 14*



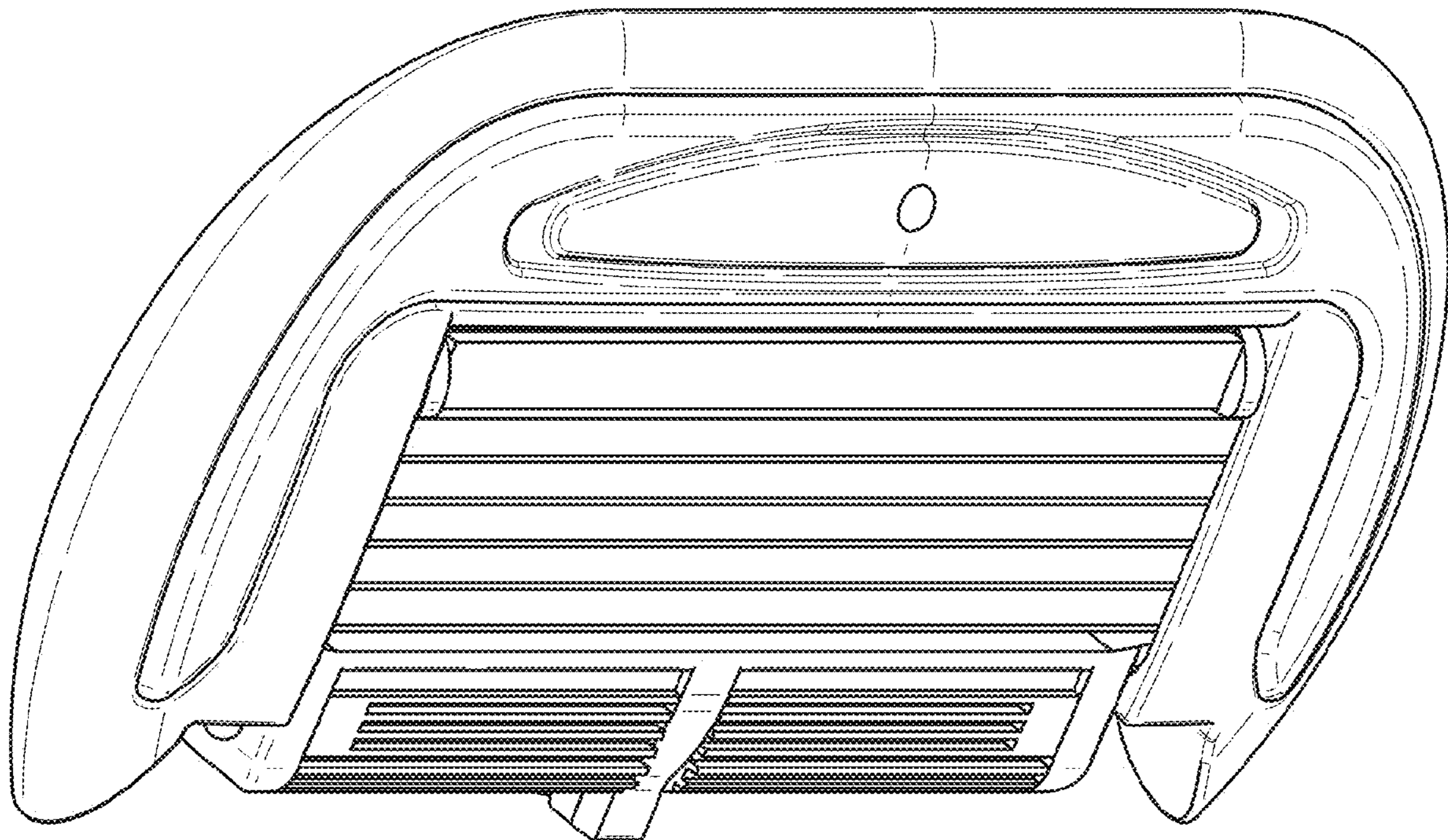


FIG. 15

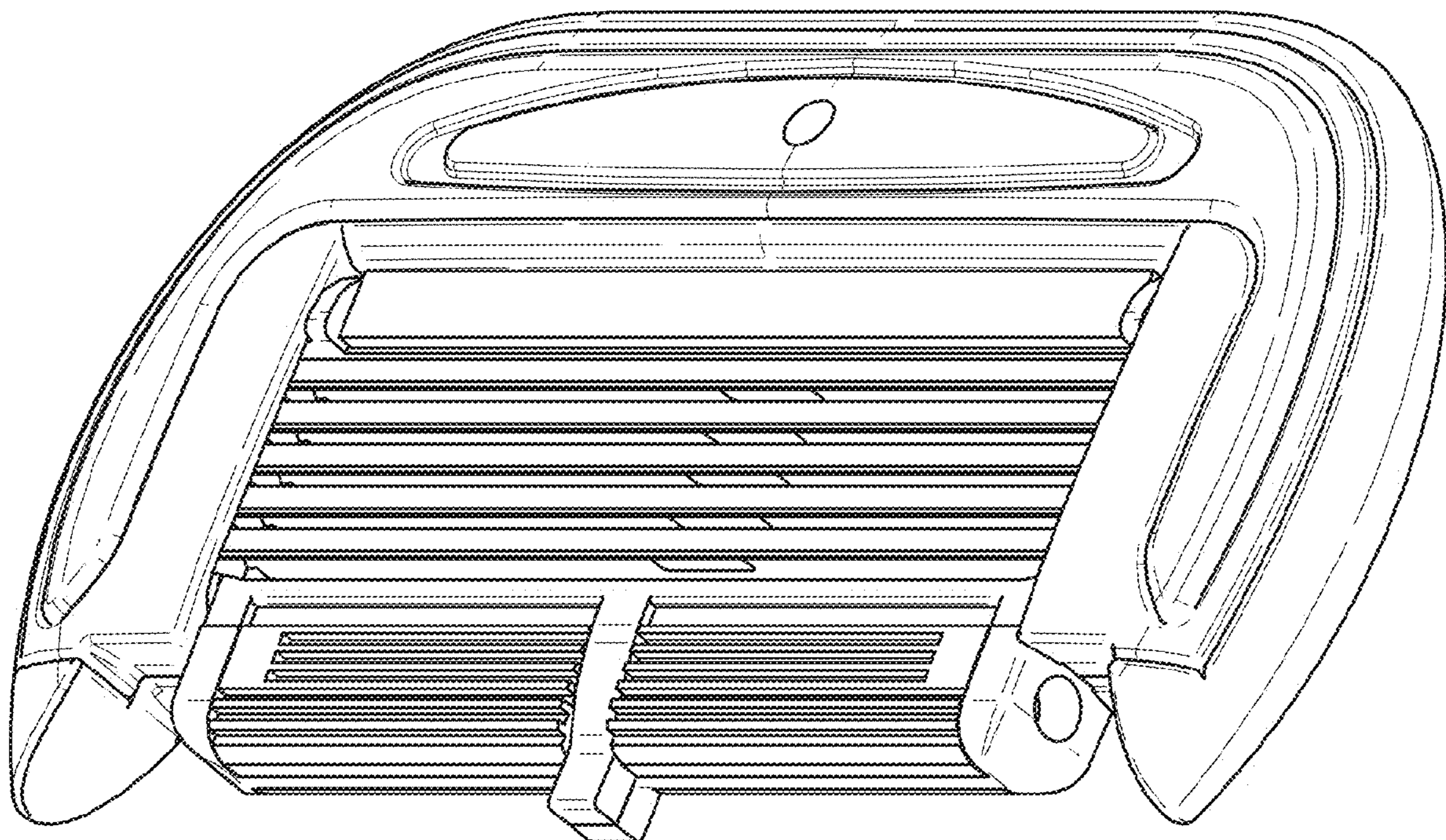


FIG. 16

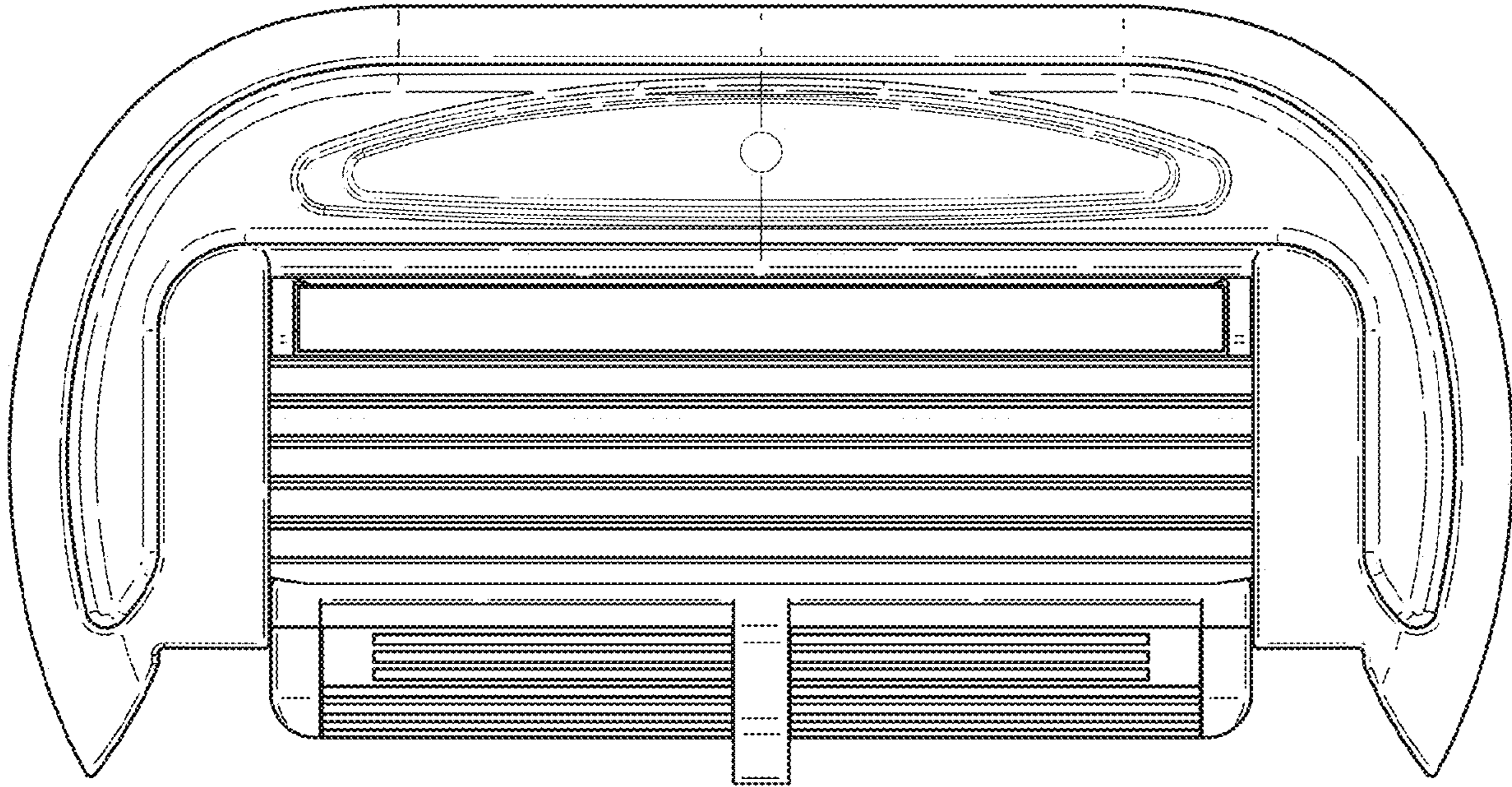


FIG. 17

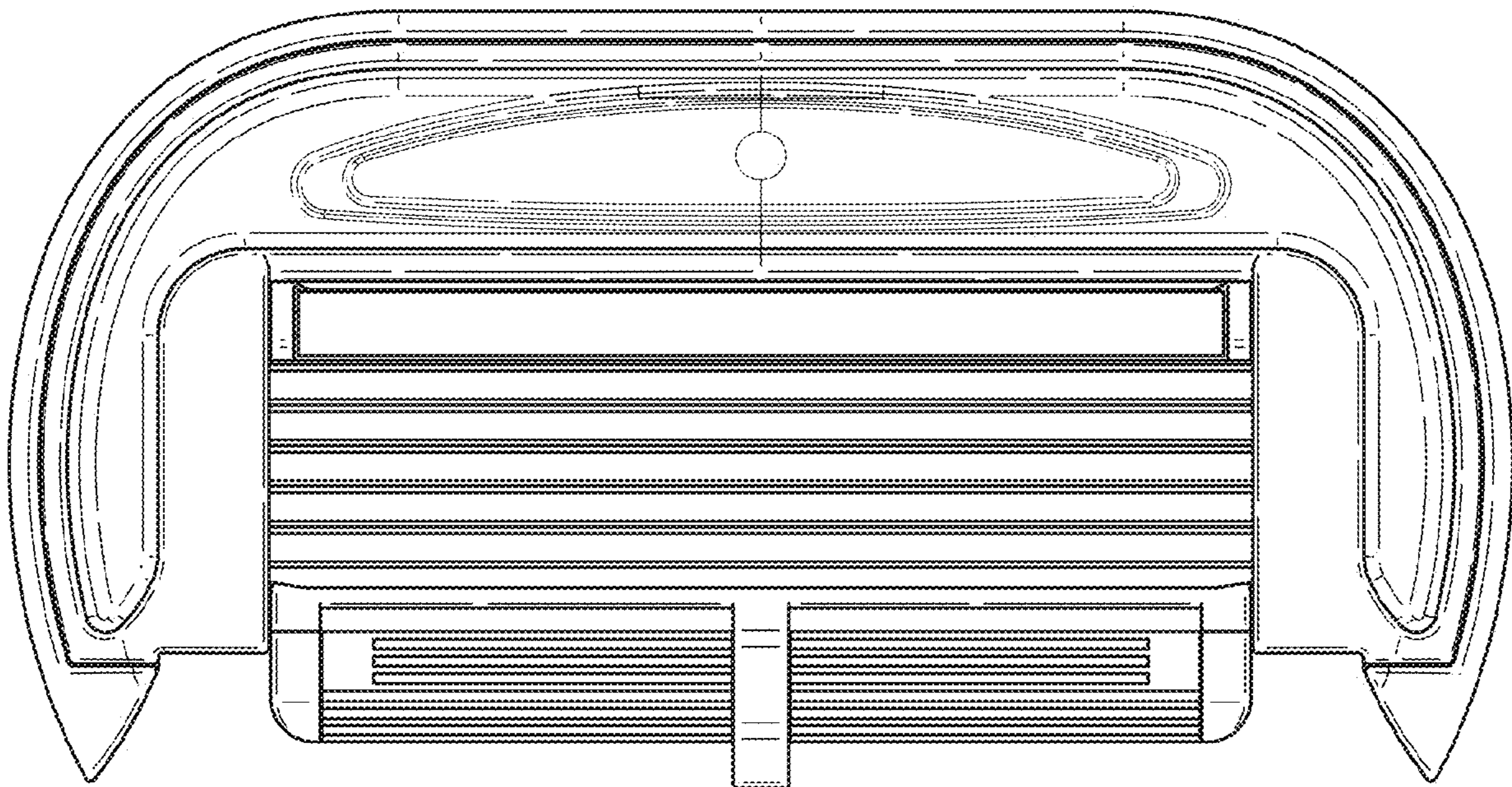
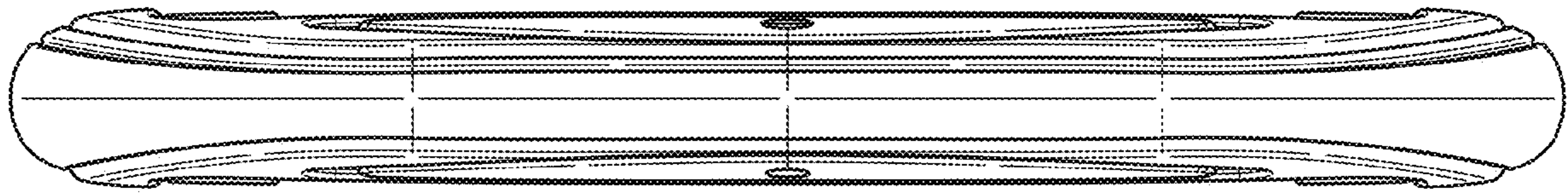
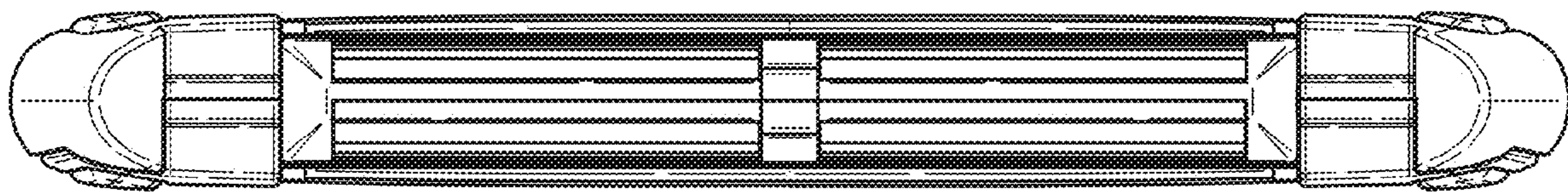


FIG. 18

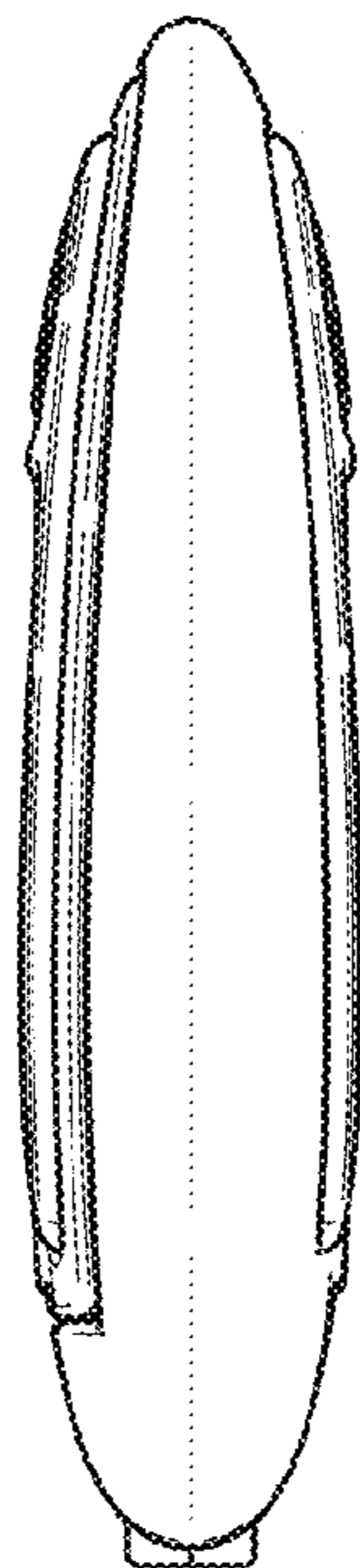




*FIG. 19*



*FIG. 20*



*FIG. 21*

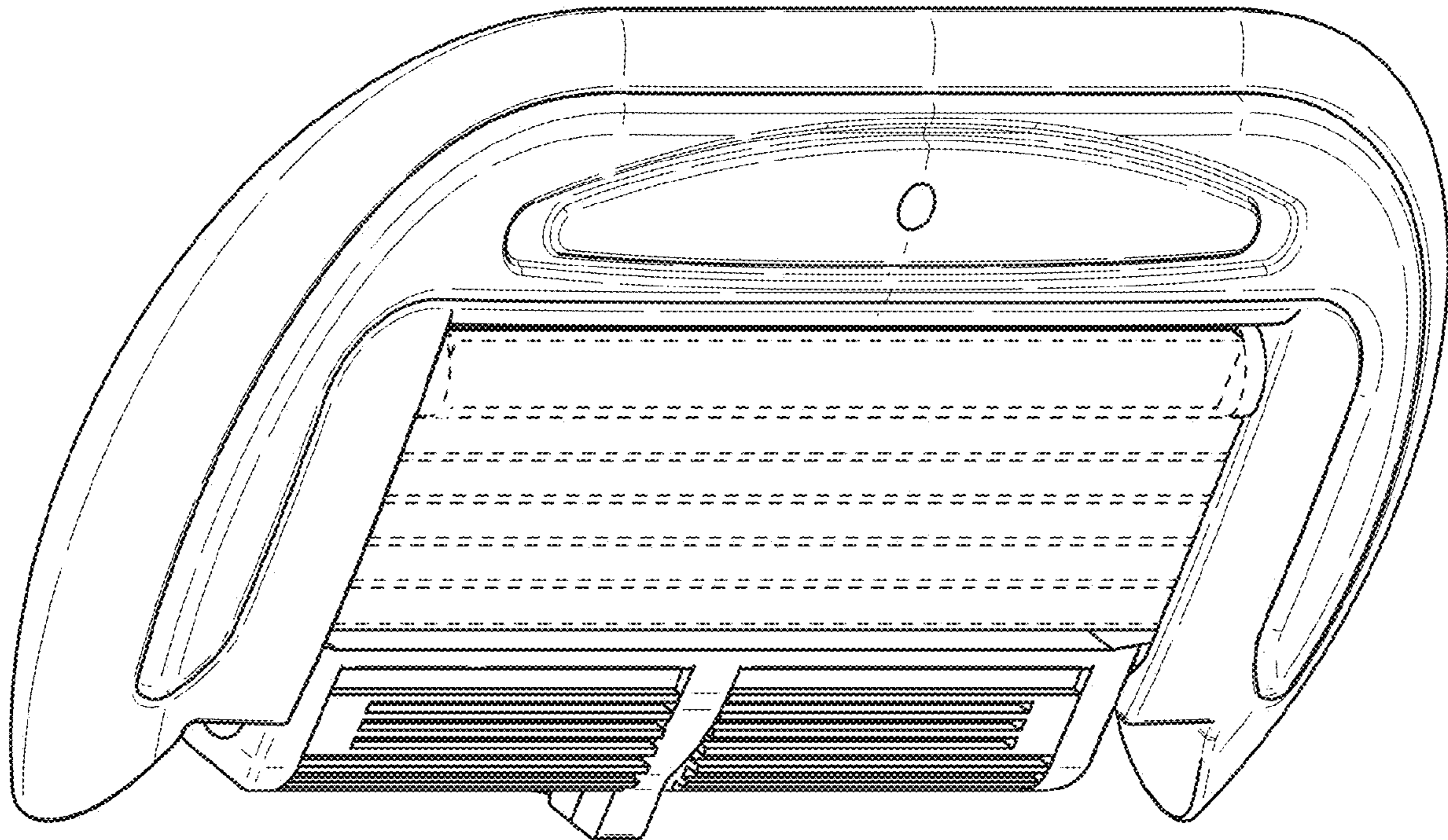


FIG. 22

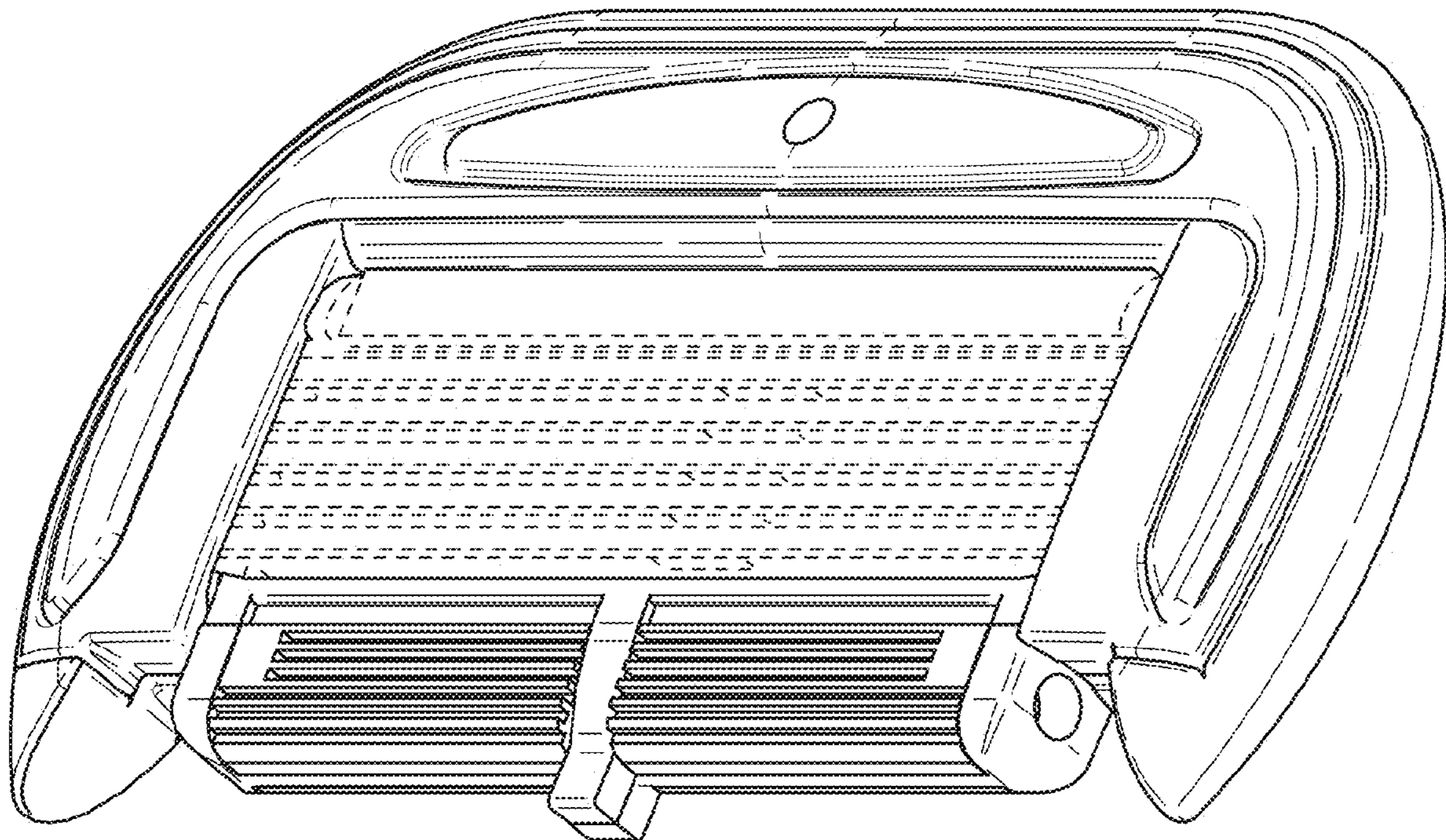


FIG. 23



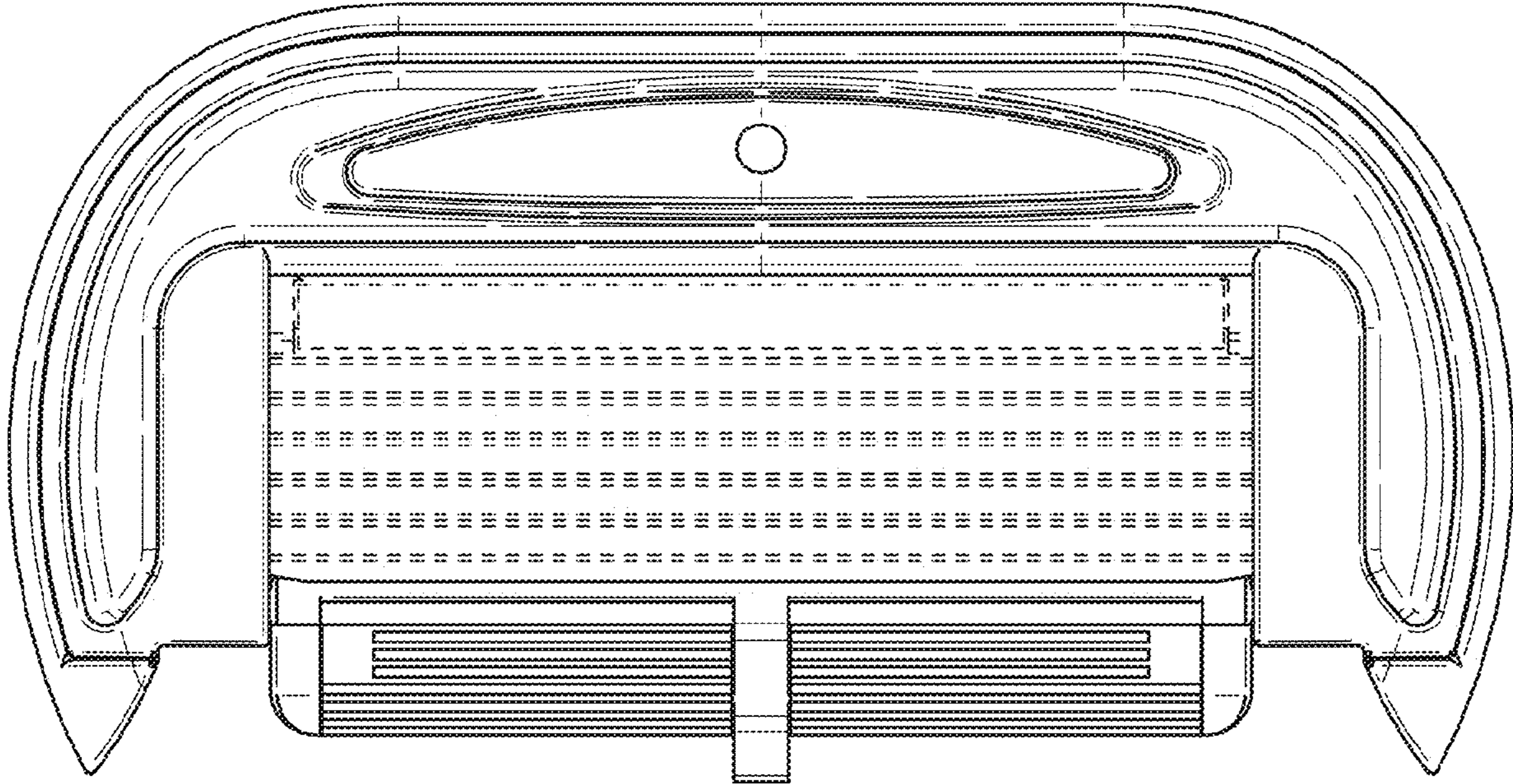


FIG. 24

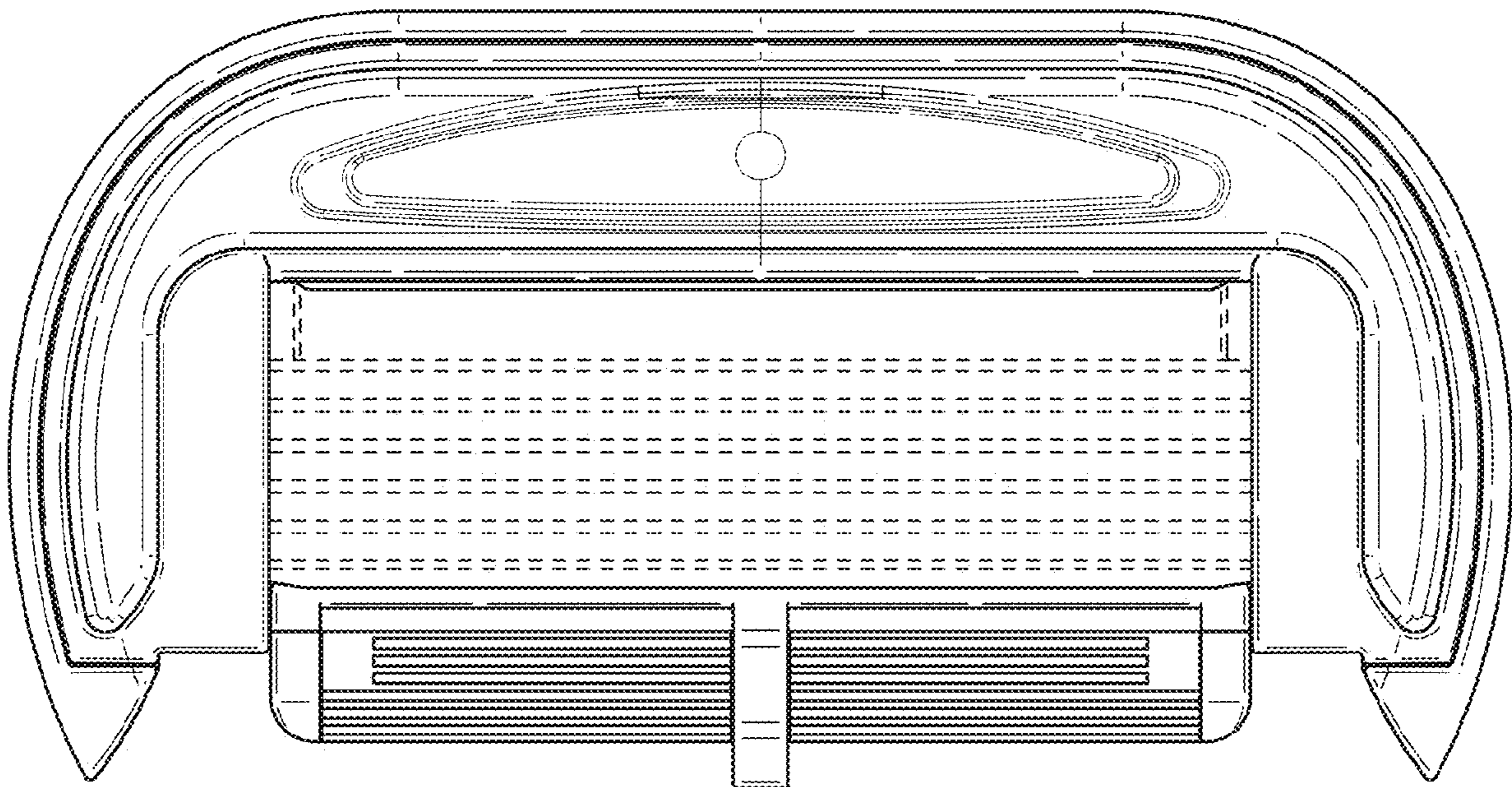
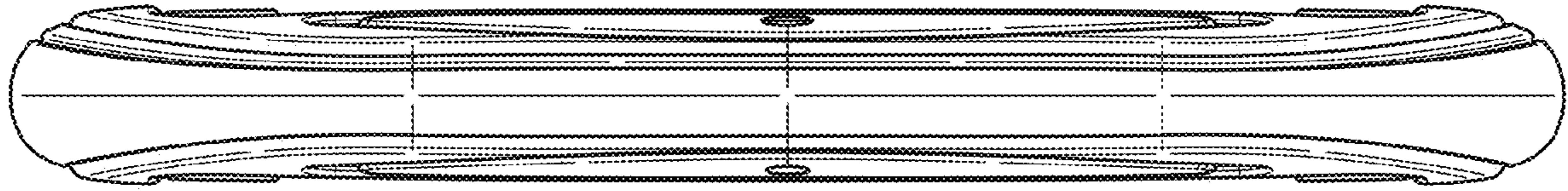
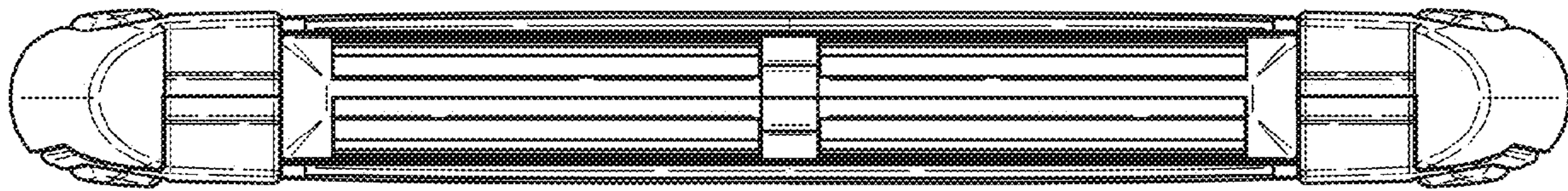


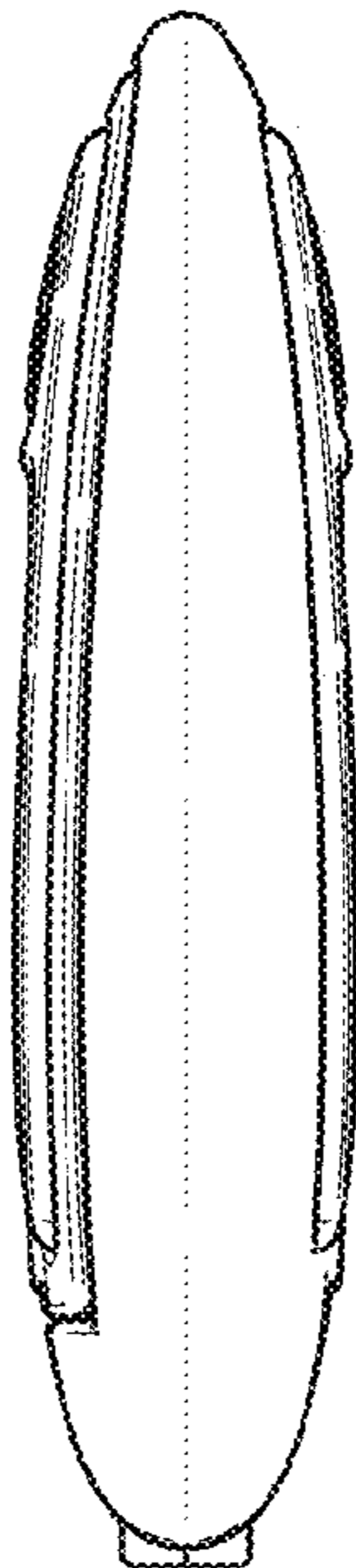
FIG. 25



*FIG. 26*



*FIG. 27*



*FIG. 28*