



US00D883567S

(12) **United States Design Patent** (10) **Patent No.:** **US D883,567 S**  
**Liu** (45) **Date of Patent:** **\*\* May 5, 2020**

(54) **ATOMIZER FOR ELECTRONIC CIGARETTE**

(71) Applicant: **Shenzhen Smoore Technology Limited**, Shenzhen, Guangdong (CN)

(72) Inventor: **Yu Liu**, Guangdong (CN)

(73) Assignee: **SHENZHEN SMOORE TECHNOLOGY LIMITED**, Shenzhen (CN)

(\*\*) Term: **15 Years**

(21) Appl. No.: **29/666,073**

(22) Filed: **Oct. 10, 2018**

(30) **Foreign Application Priority Data**

Aug. 15, 2018 (CN) ..... 2018 3 0451401

(51) **LOC (12) Cl.** ..... **27-02**

(52) **U.S. Cl.**  
USPC ..... **D27/162**

(58) **Field of Classification Search**  
USPC ..... D27/162, 100, 101, 152, 163-165, 167, D27/169, 172, 174-176, 183, 185-195; D24/110, 110.5; 128/202.21, 203.12; 131/273, 274, 270, 191, 328, 329, 330, 131/360-365

CPC .... A24F 47/002; A24F 47/006; A24F 47/008; A61M 15/00; A61M 15/06

See application file for complete search history.

(56) **References Cited**

**U.S. PATENT DOCUMENTS**

D636,844 S \* 4/2011 Herre ..... D23/213  
D729,440 S \* 5/2015 Liu ..... D27/101  
D740,488 S \* 10/2015 Leidel ..... D27/167  
D792,022 S \* 7/2017 Li ..... D27/167  
D799,114 S \* 10/2017 Li ..... D27/167  
D811,652 S \* 2/2018 Liu ..... D27/167

D821,641 S \* 6/2018 Watson ..... D27/194  
D823,534 S \* 7/2018 Chen ..... D27/162  
D826,471 S \* 8/2018 Wang ..... D27/167  
D836,243 S \* 12/2018 Liu ..... D27/167  
D853,635 S \* 7/2019 Chen ..... D27/194  
D854,739 S \* 7/2019 Li ..... D27/162  
2014/0360514 A1 \* 12/2014 Zhu ..... A24F 47/008  
131/329  
2015/0189919 A1 \* 7/2015 Liu ..... A24F 47/008  
131/329  
2015/0257444 A1 \* 9/2015 Chung ..... A24F 47/008  
131/329  
2015/0282529 A1 \* 10/2015 Li ..... A24F 47/008  
131/273

(Continued)

**OTHER PUBLICATIONS**

[https://www.google.com/search?q=atomizer&source=lnms&tbm=isch&sa= May 31, 2018.\\*](https://www.google.com/search?q=atomizer&source=lnms&tbm=isch&sa=May+31,+2018.*)

*Primary Examiner* — Marissa J Cash  
*Assistant Examiner* — Rebecca Tsehaye

(57) **CLAIM**

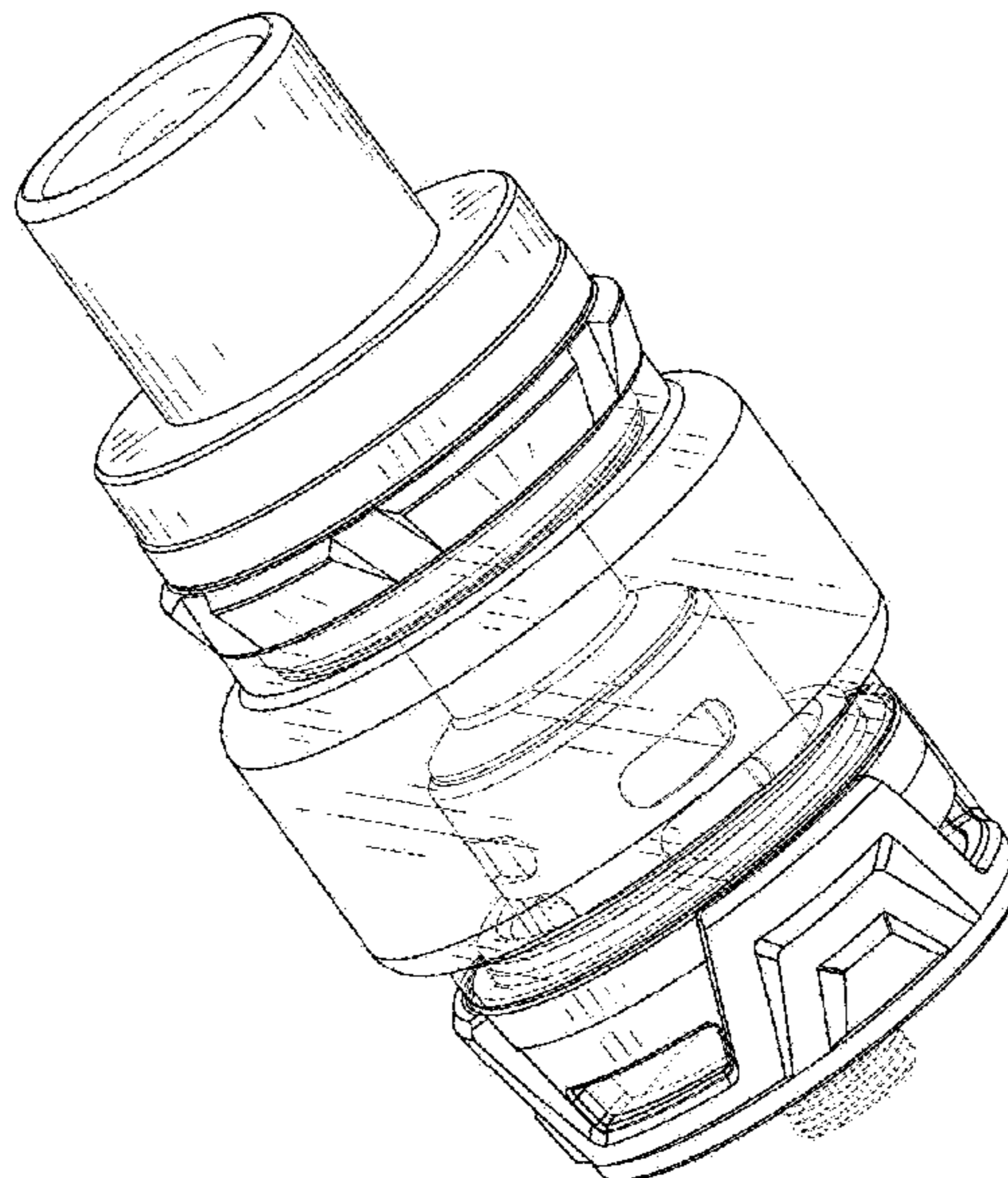
The ornamental design for an atomizer for an electronic cigarette, as shown and described.

**DESCRIPTION**

FIG. 1 is a perspective view of an atomizer of an electronic cigarette showing my new design; FIG. 2 is a front elevational view thereof; FIG. 3 is a rear elevational view thereof; FIG. 4 is a left side elevational view thereof; FIG. 5 is a right side elevational view thereof; FIG. 6 is a top plan view thereof; and, FIG. 7 is a bottom plan view thereof.

The broken lines in the drawings illustrate portions of the atomizer of the electronic cigarette that form no part of the claimed design.

**1 Claim, 7 Drawing Sheets**



(56)

**References Cited**

U.S. PATENT DOCUMENTS

2016/0295920 A1\* 10/2016 Liu ..... H05B 3/0014  
2017/0013881 A1\* 1/2017 Liu ..... A24F 47/008

\* cited by examiner

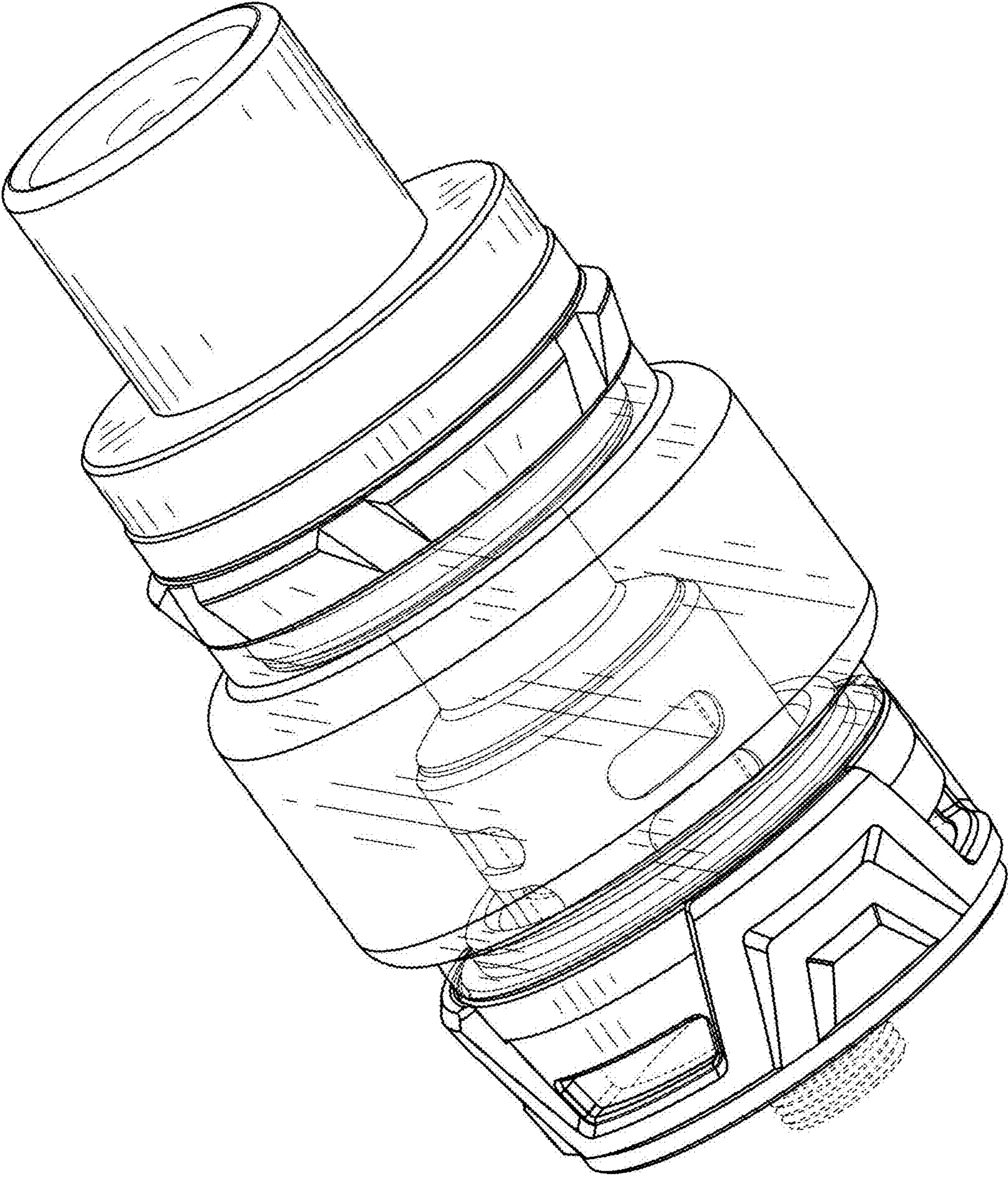


FIG. 1

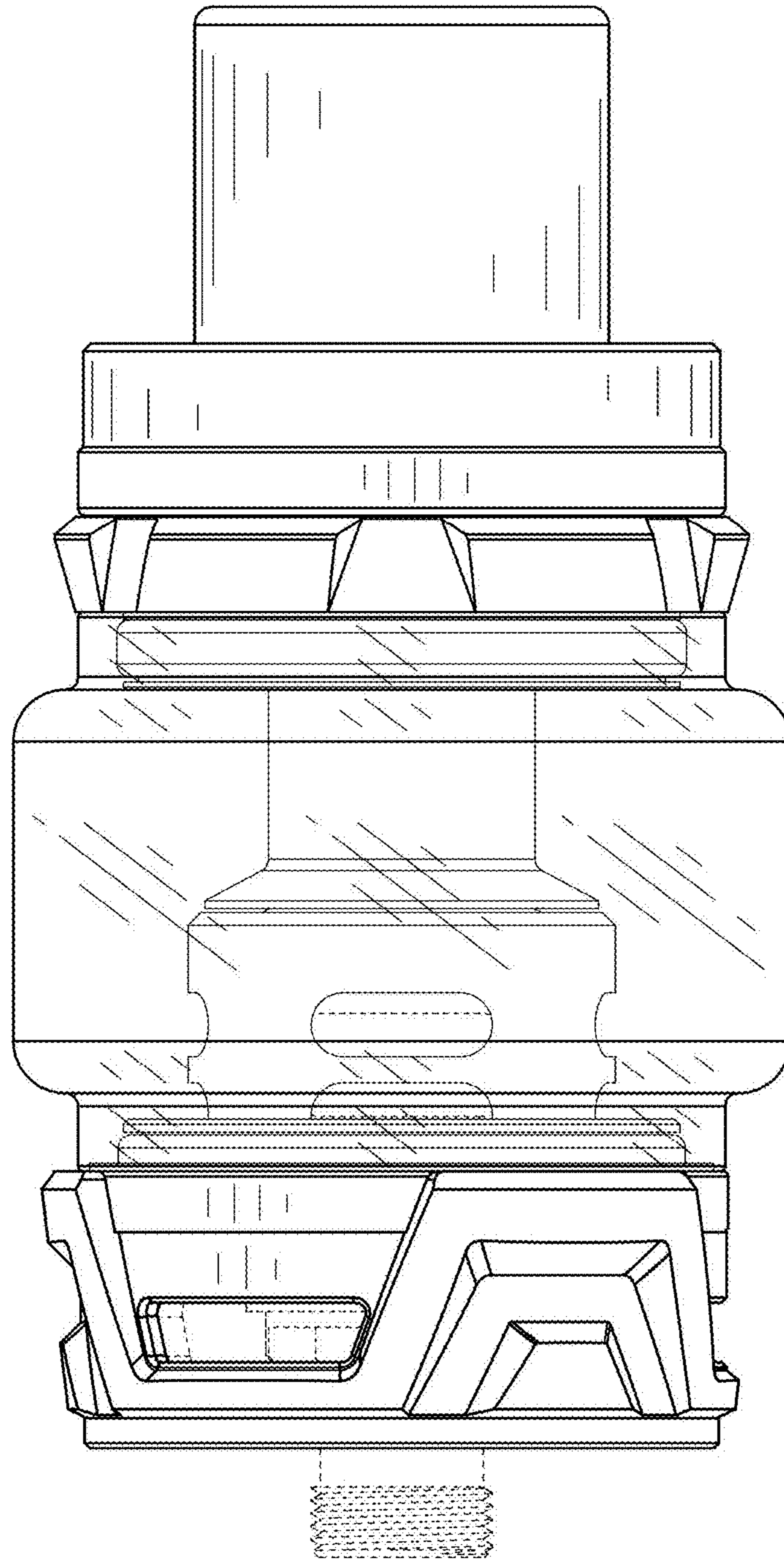


FIG. 2

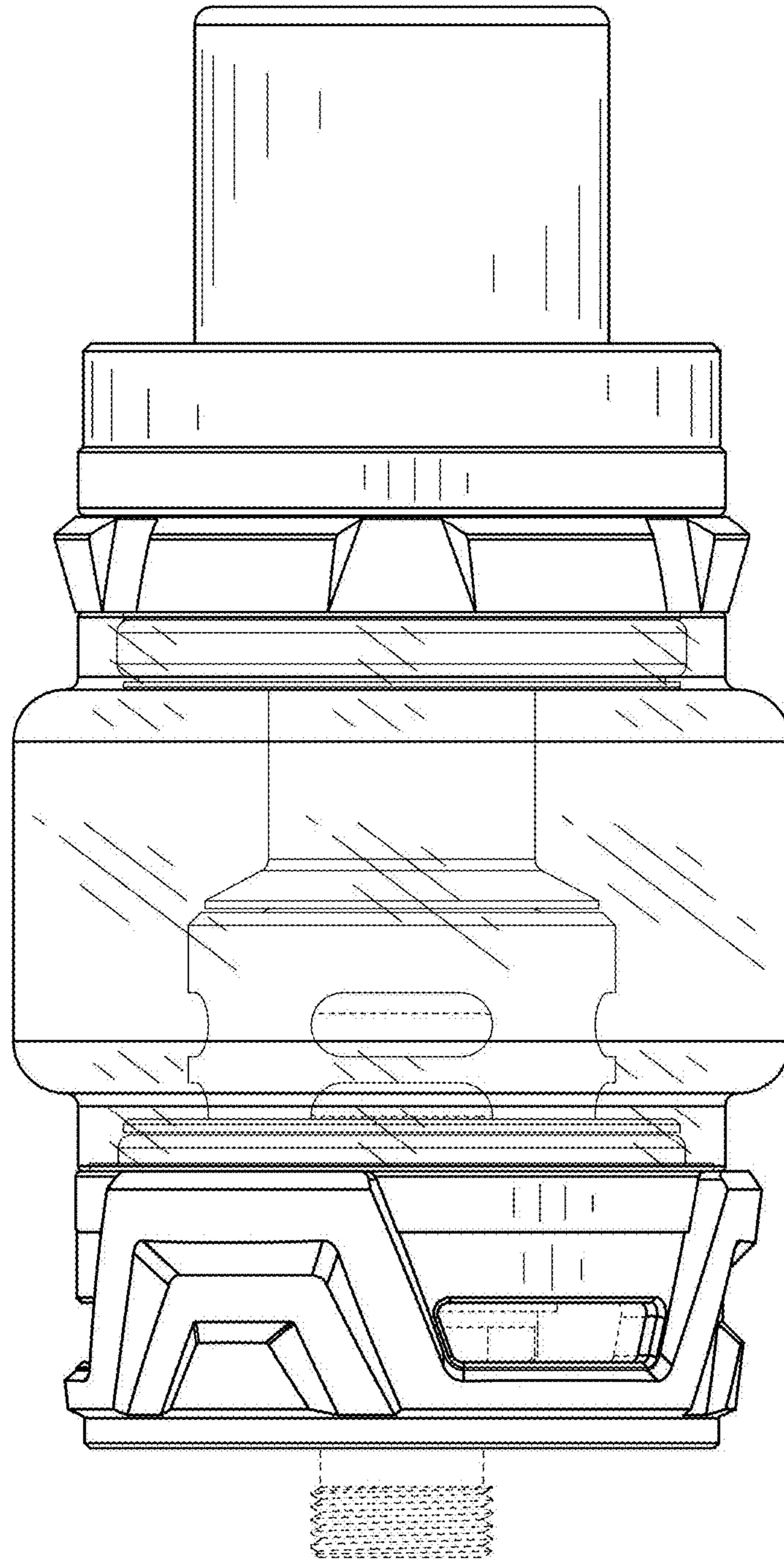


FIG. 3

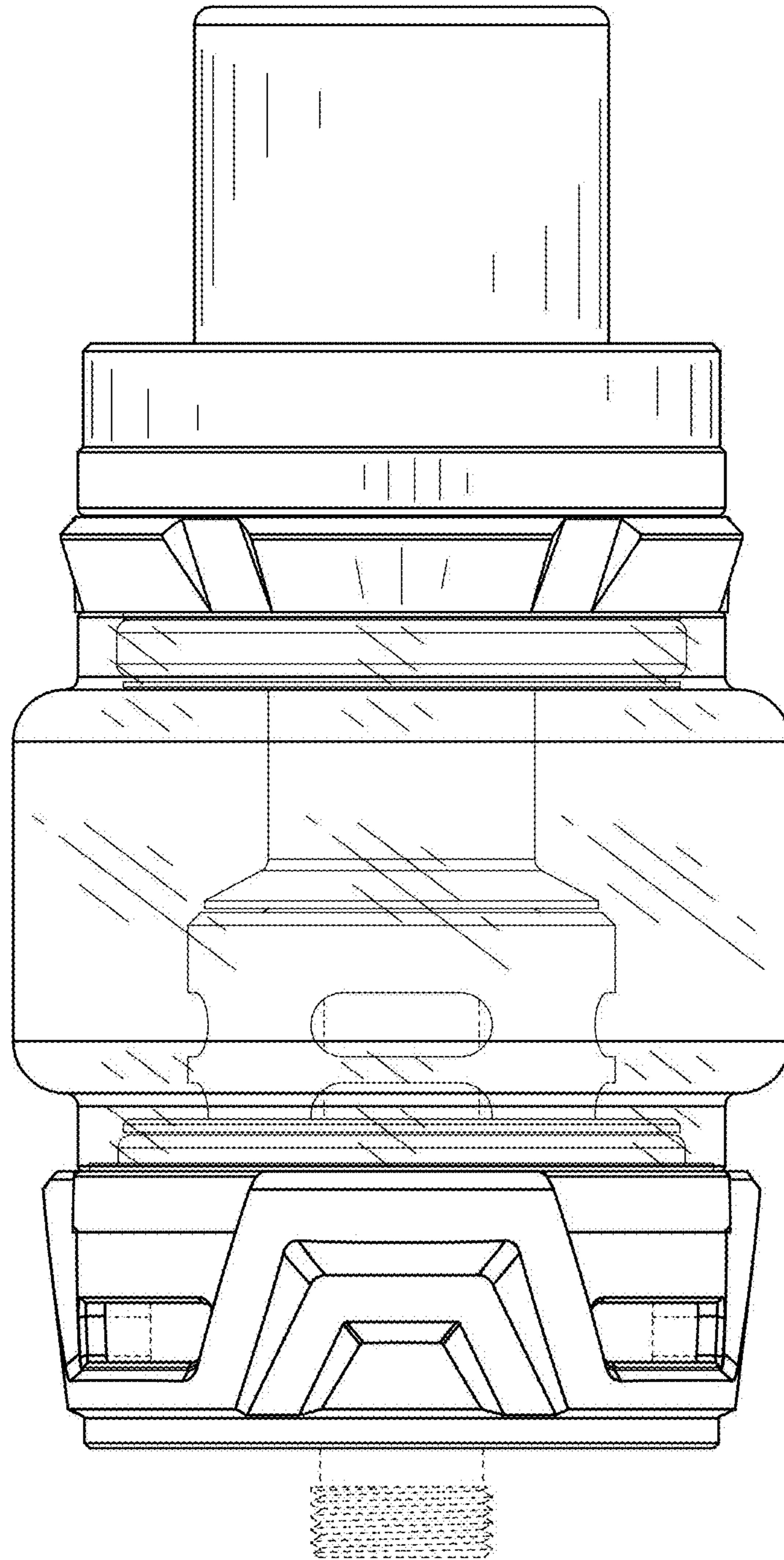


FIG. 4

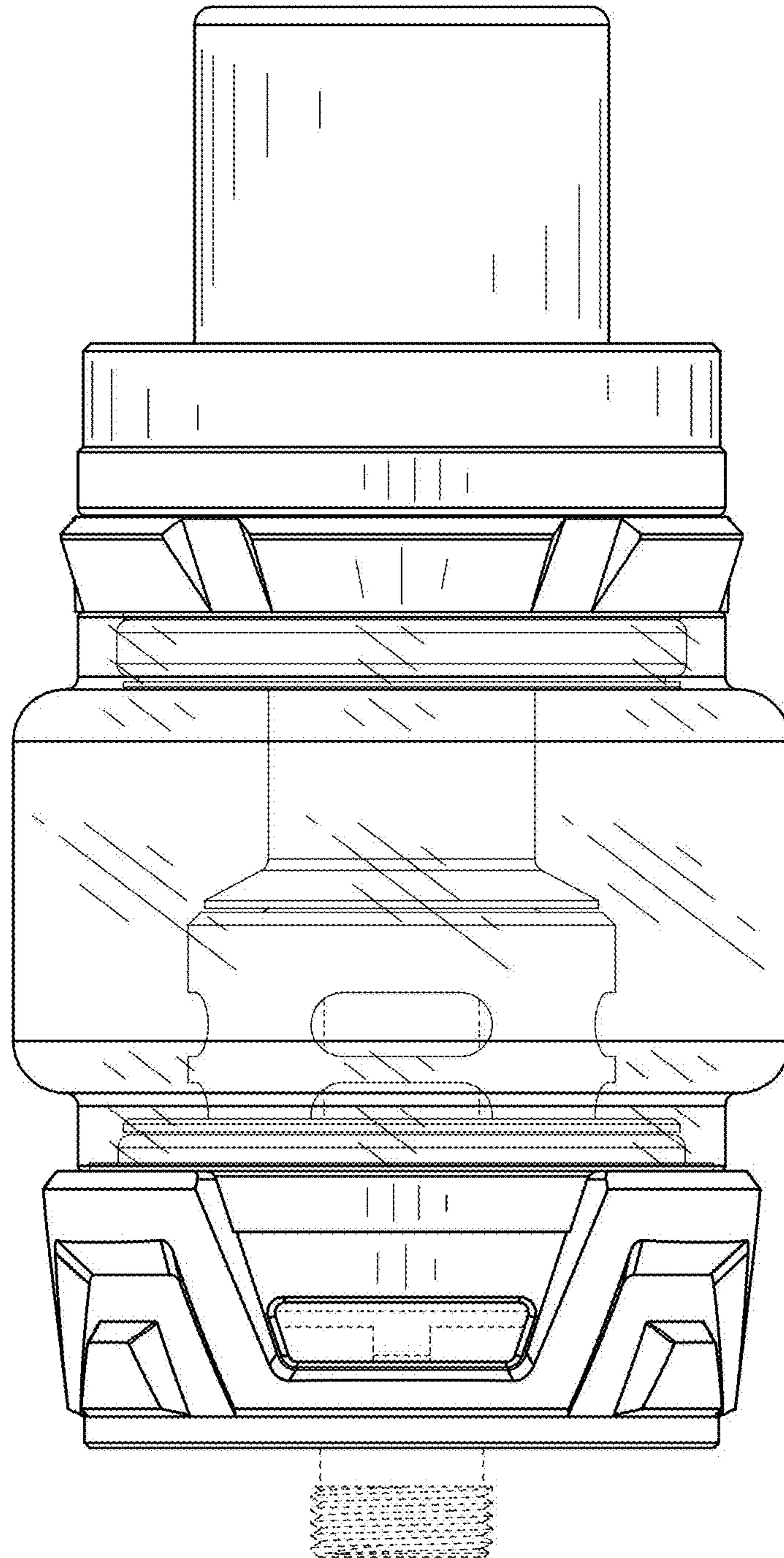


FIG. 5

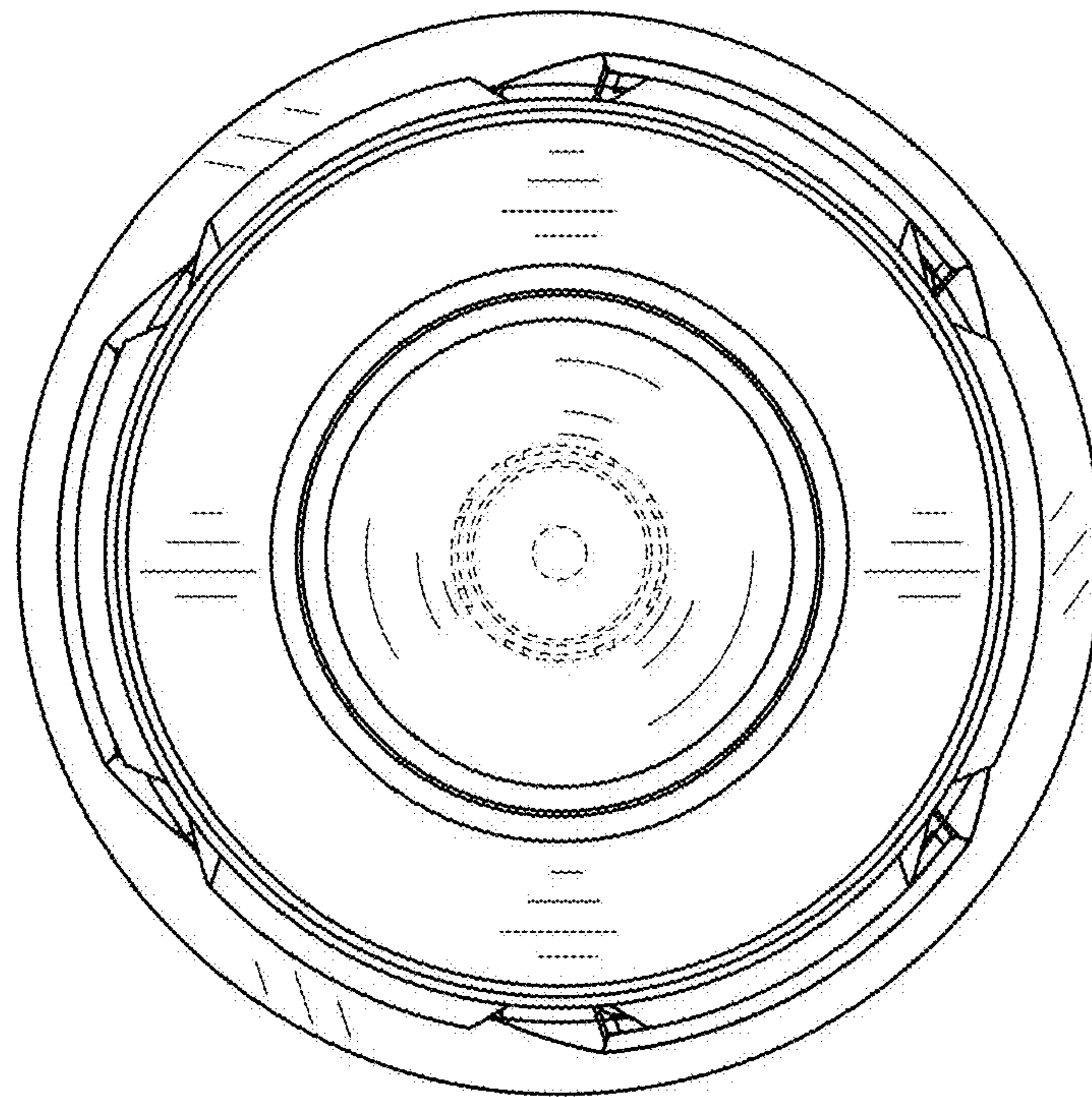


FIG. 6



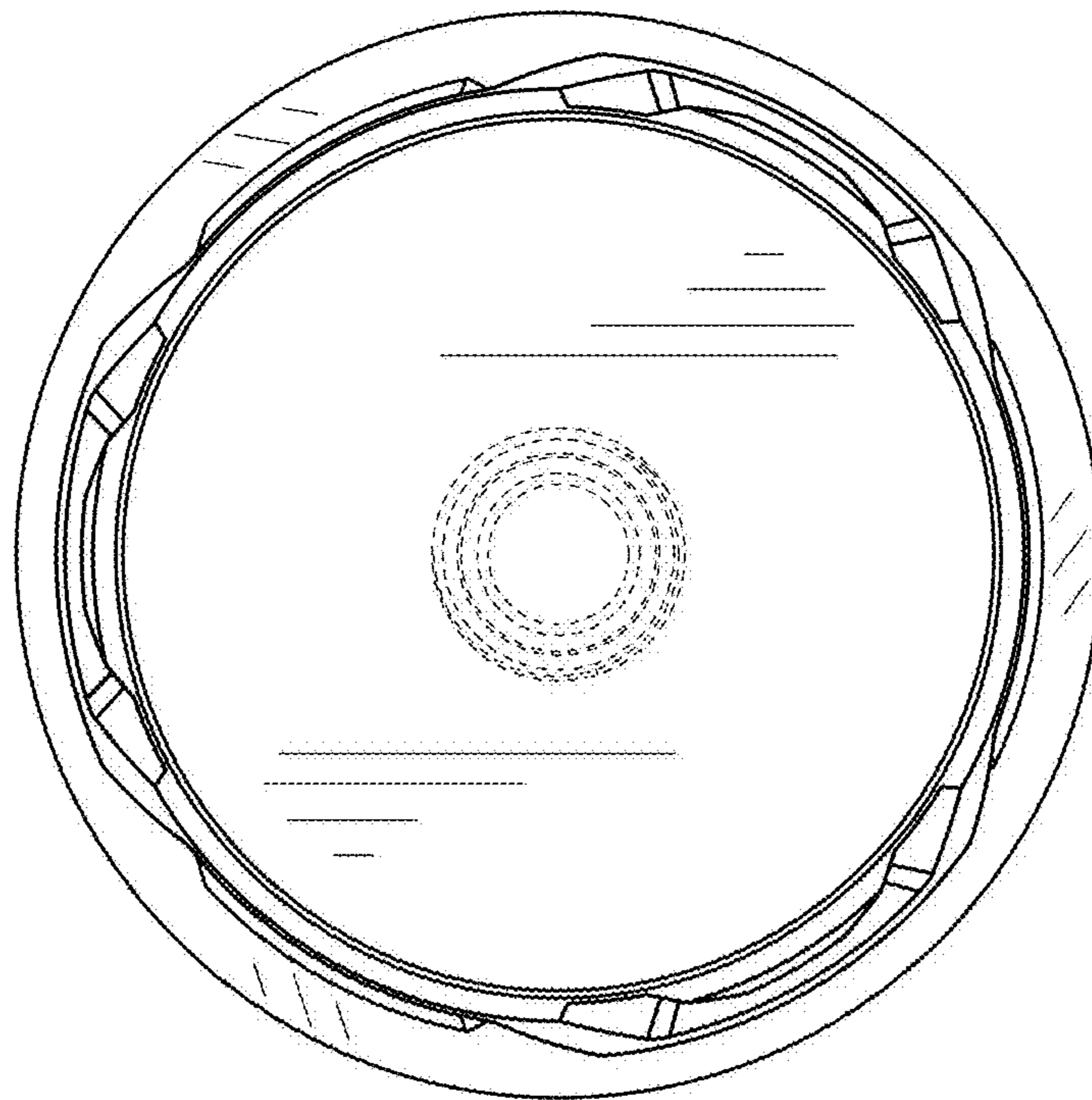


FIG. 7