



US00D883565S

(12) **United States Design Patent** (10) **Patent No.:** **US D883,565 S**  
**Li** (45) **Date of Patent:** **\*\* May 5, 2020**

- (54) **SMOKING SET**
- (71) Applicant: **Shenzhen Leruida Technology Co., Ltd, Shenzhen (CN)**
- (72) Inventor: **Yongsheng Li, Nanjing (CN)**
- (\*\*) Term: **15 Years**
- (21) Appl. No.: **29/623,979**
- (22) Filed: **Oct. 28, 2017**
- (51) **LOC (12) Cl.** ..... **27-02**
- (52) **U.S. Cl.**  
USPC ..... **D27/162**
- (58) **Field of Classification Search**  
USPC ..... D27/100, 101, 162-194; D24/110;  
D23/366; D19/115  
CPC ..... A24F 1/00; A24F 1/02; A24F 1/04; A24F  
1/06; A24F 1/08; A24F 1/14; A24F 1/26;  
A24F 7/00; A24F 7/02; A24F 7/04; A24F  
1/28  
See application file for complete search history.

D814,693 S *	4/2018	Qiu	.....	D27/101
D819,880 S *	6/2018	Qiu	.....	D27/101
D821,639 S *	6/2018	Dai	.....	D27/162
D821,640 S *	6/2018	Qiu	.....	D27/162
D828,622 S *	9/2018	Chen	.....	D27/162
D831,270 S *	10/2018	Qiu	.....	D27/162
D832,501 S *	10/2018	Qiu	.....	D27/162
D844,232 S *	3/2019	Qiu	.....	D27/163
D850,714 S *	6/2019	Guo	.....	D27/194
D852,409 S *	6/2019	Takehara	.....	D27/162
D854,236 S *	7/2019	Qiu	.....	D27/101
D854,741 S *	7/2019	Smith	.....	D27/162
2017/0006918 A1 *	1/2017	Chen	.....	A24F 47/008
2017/0181470 A1 *	6/2017	Li	.....	A24F 47/008
2018/0132526 A1 *	5/2018	Davis	.....	H05B 1/0244

\* cited by examiner

*Primary Examiner* — Marissa J Cash  
(74) *Attorney, Agent, or Firm* — HYIP

(57) **CLAIM**

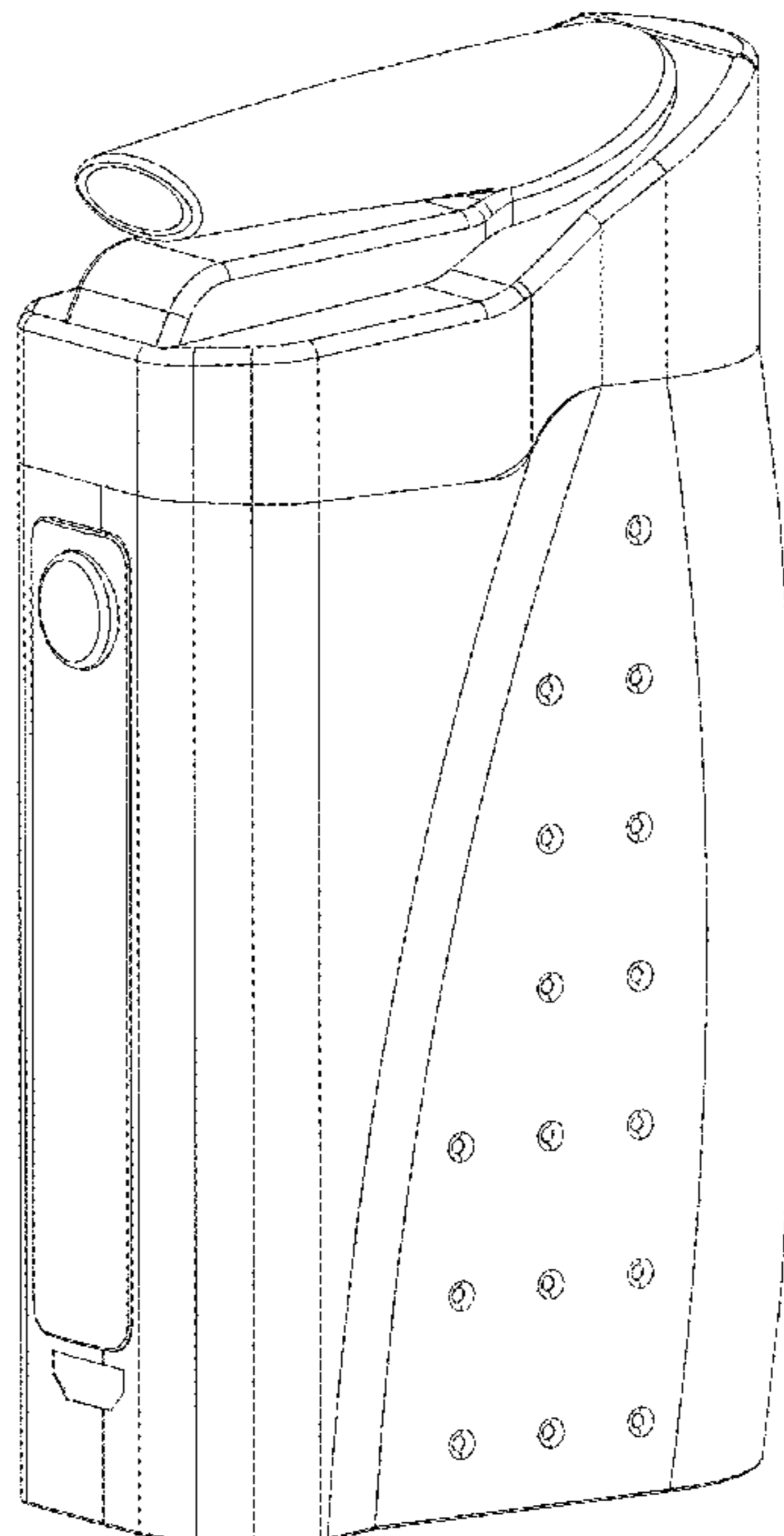
The ornamental design for a smoking set, as shown and described.

**DESCRIPTION**

FIG. 1 is a perspective view of a smoking set showing my design;  
FIG. 2 is second perspective view showing my design;  
FIG. 3 is third perspective view showing my design;  
FIG. 4 is fourth perspective view showing my design;  
FIG. 5 is fifth perspective view showing my design;  
FIG. 6 is a front view showing my design;  
FIG. 7 is a back view showing my design;  
FIG. 8 is a left side view showing my design;  
FIG. 9 is a right side view showing my design;  
FIG. 10 is a top plan view showing my design; and,  
FIG. 11 is a bottom plan view showing my design.

**1 Claim, 11 Drawing Sheets**

- (56) **References Cited**  
U.S. PATENT DOCUMENTS
- |              |         |               |       |         |
|--------------|---------|---------------|-------|---------|
| D547,440 S * | 7/2007  | Louet-Feisser | ..... | D24/110 |
| D753,336 S * | 4/2016  | Chen          | ..... | D27/101 |
| D773,114 S * | 11/2016 | Leidel        | ..... | D27/163 |
| D788,362 S * | 5/2017  | Qiu           | ..... | D27/101 |
| D788,363 S * | 5/2017  | Chen          | ..... | D27/163 |
| D788,364 S * | 5/2017  | Chen          | ..... | D27/163 |
| D789,598 S * | 6/2017  | Chen          | ..... | D27/163 |
| D790,766 S * | 6/2017  | Li            | ..... | D27/163 |
| D800,377 S * | 10/2017 | Liu           | ..... | D27/101 |
| D807,576 S * | 1/2018  | Liu           | ..... | D27/163 |
| D809,191 S * | 1/2018  | Li            | ..... | D27/101 |
| D809,192 S * | 1/2018  | Liu           | ..... | D27/163 |



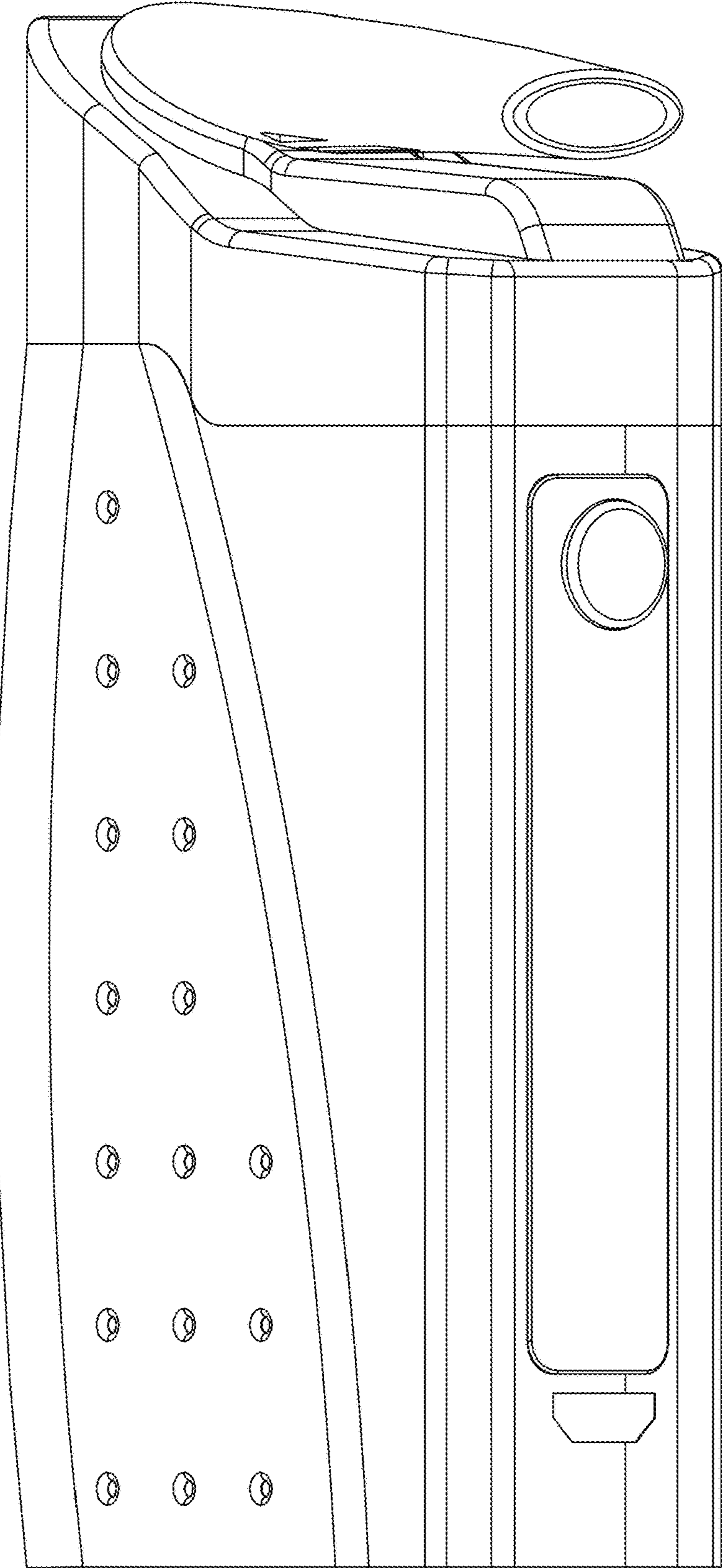


FIG. 1

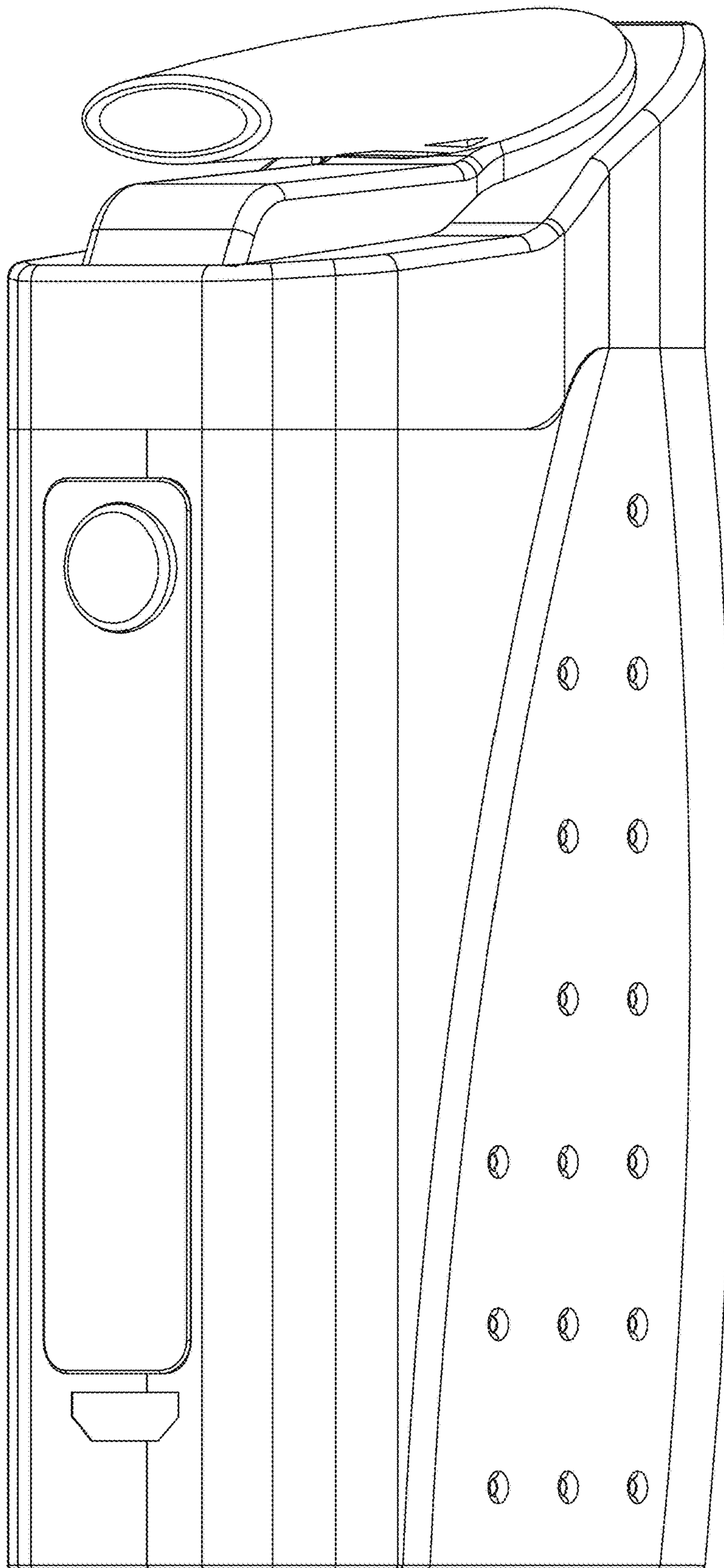


FIG.2



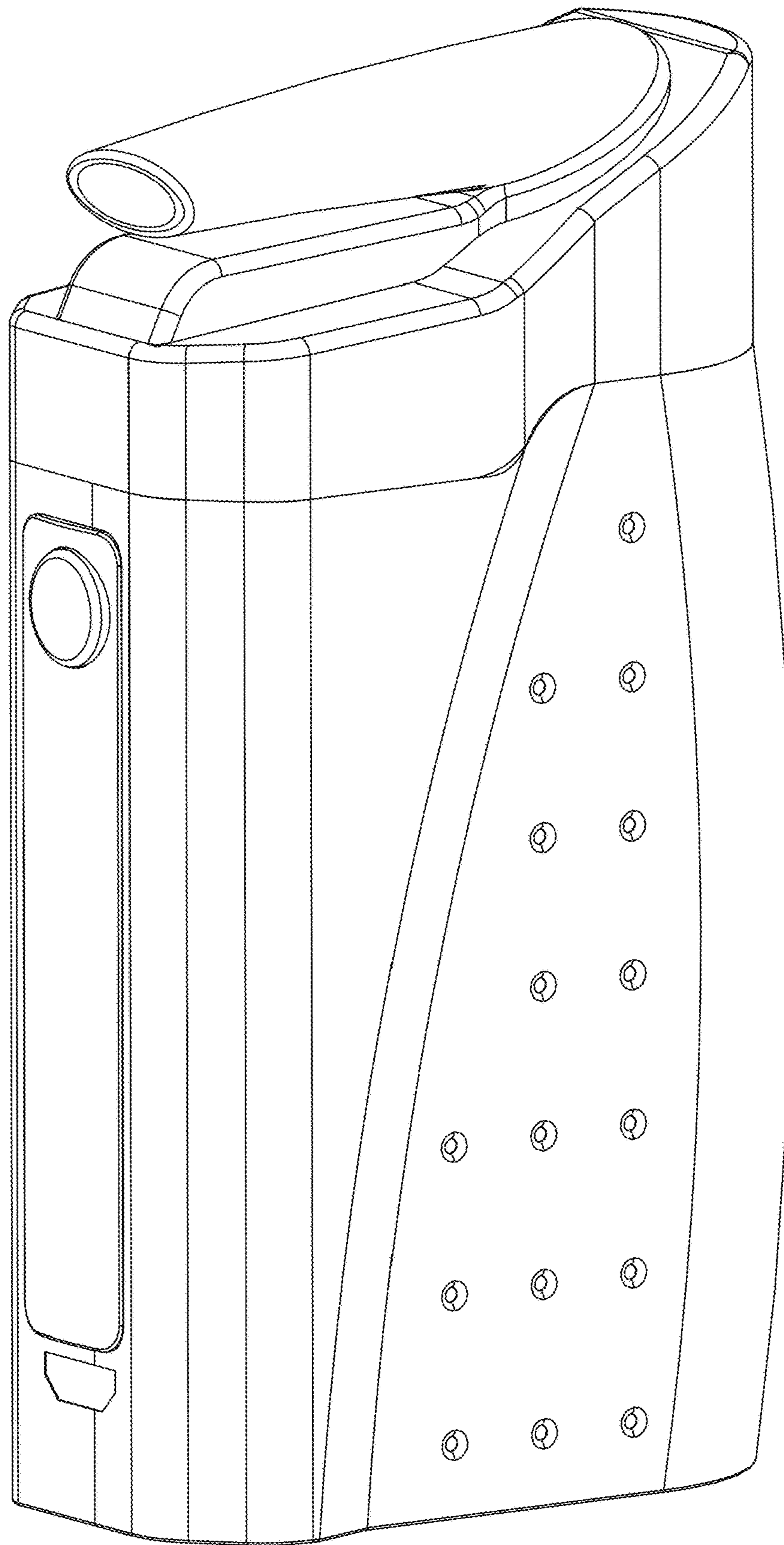


FIG.3

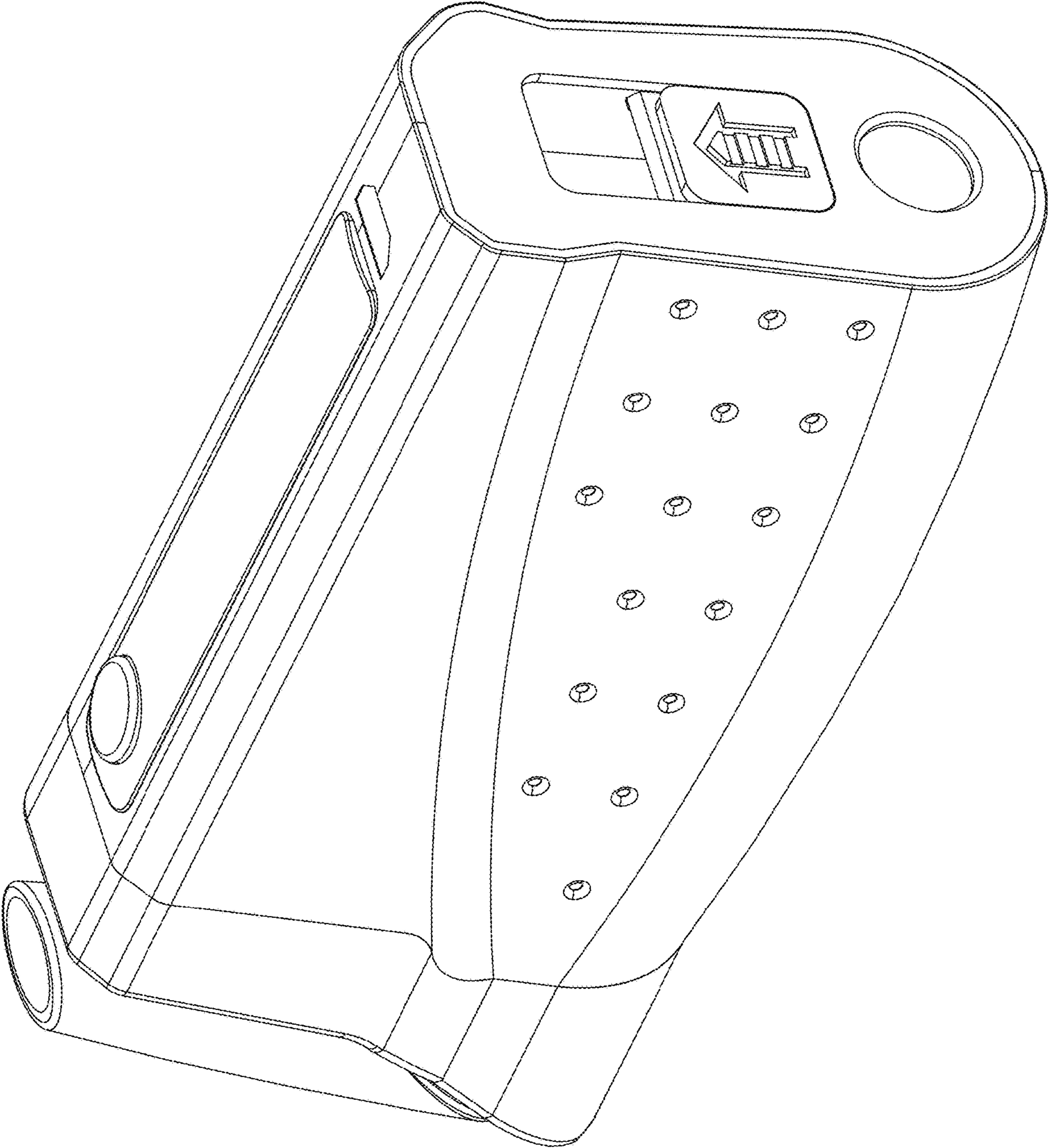


FIG.4

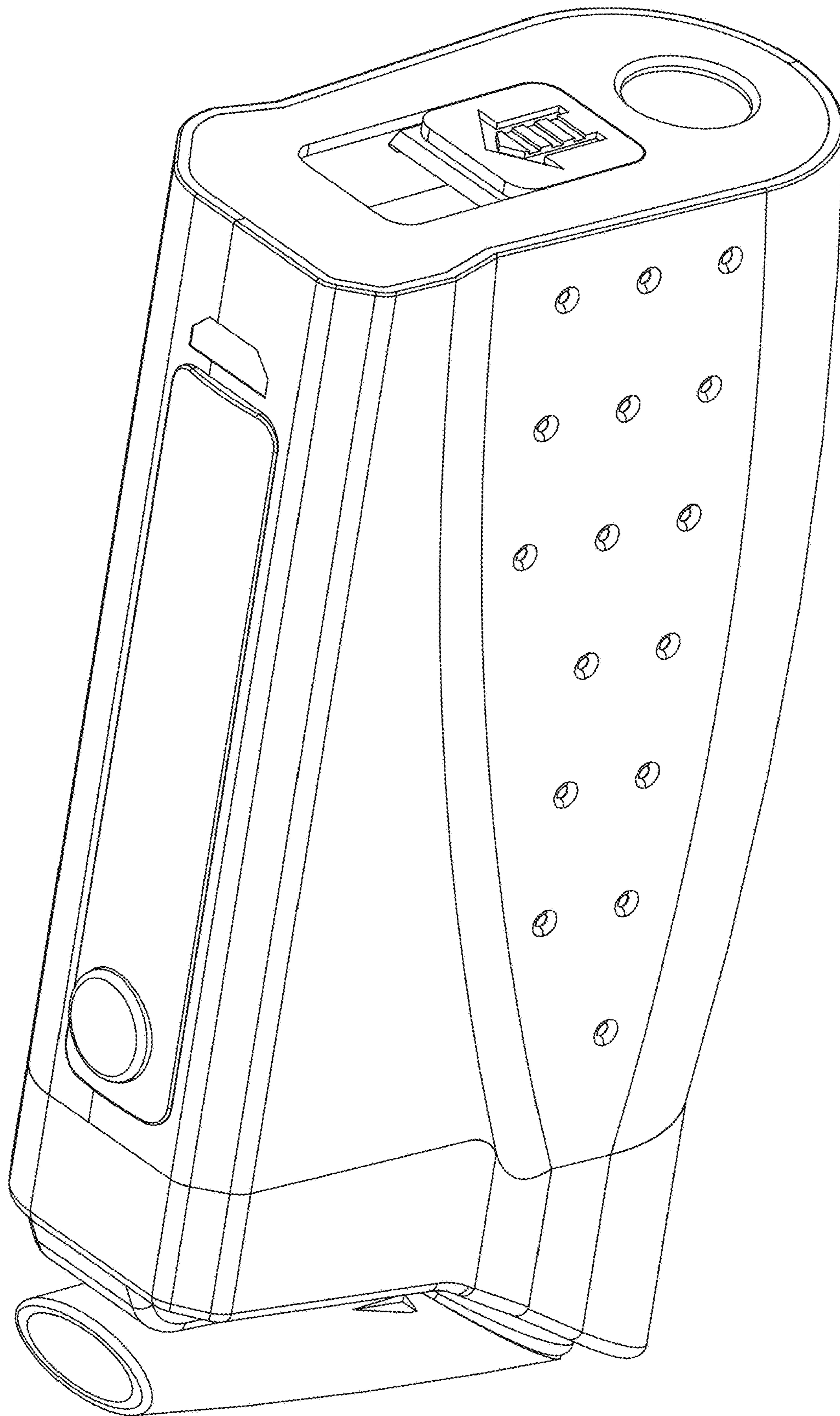


FIG. 5

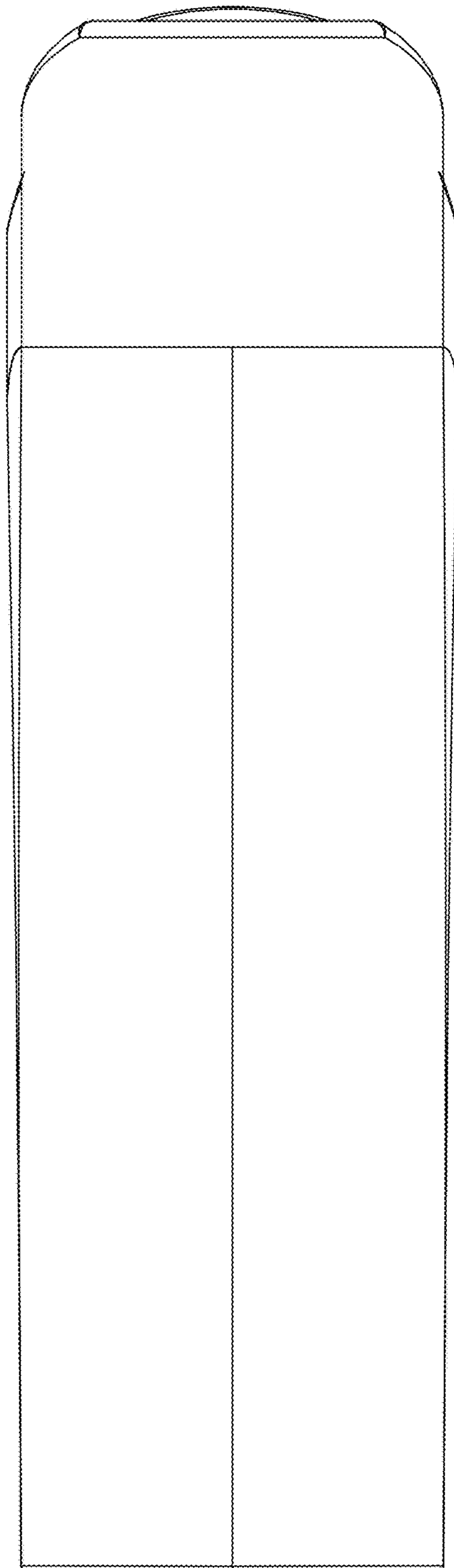


FIG.6



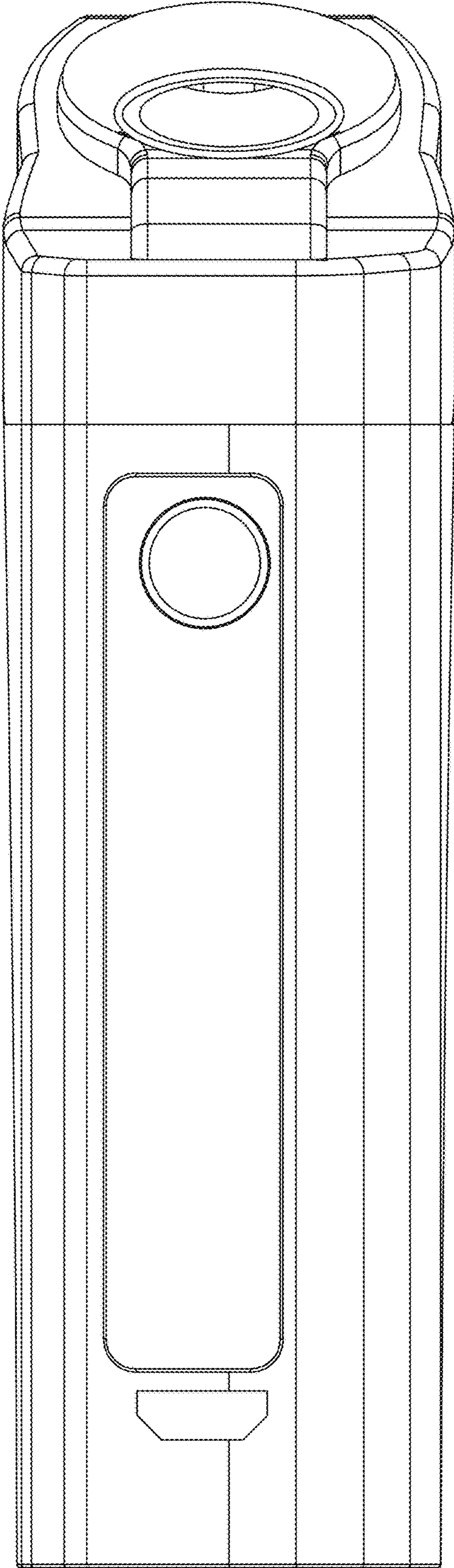


FIG.7



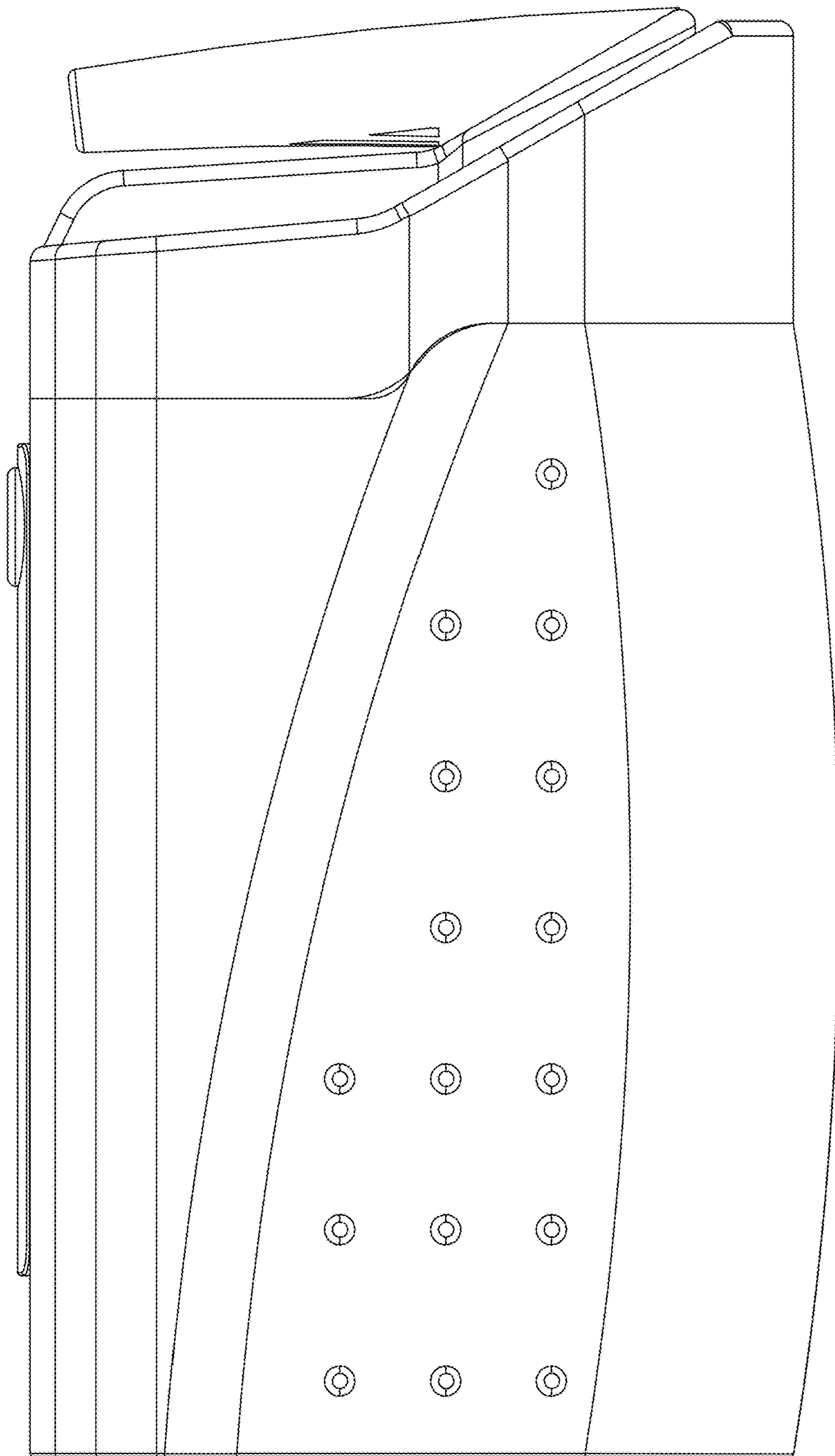


FIG.8

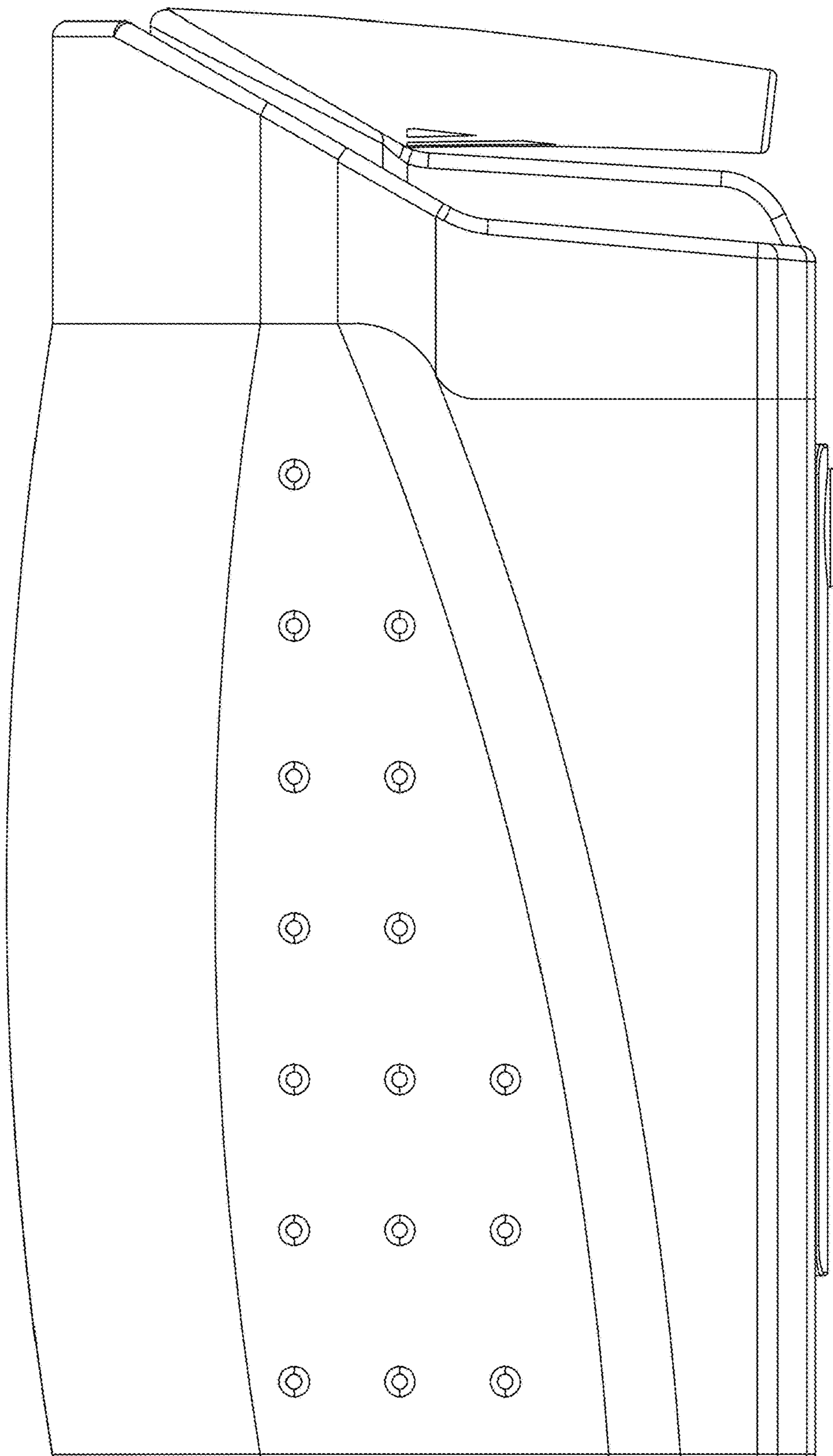


FIG.9

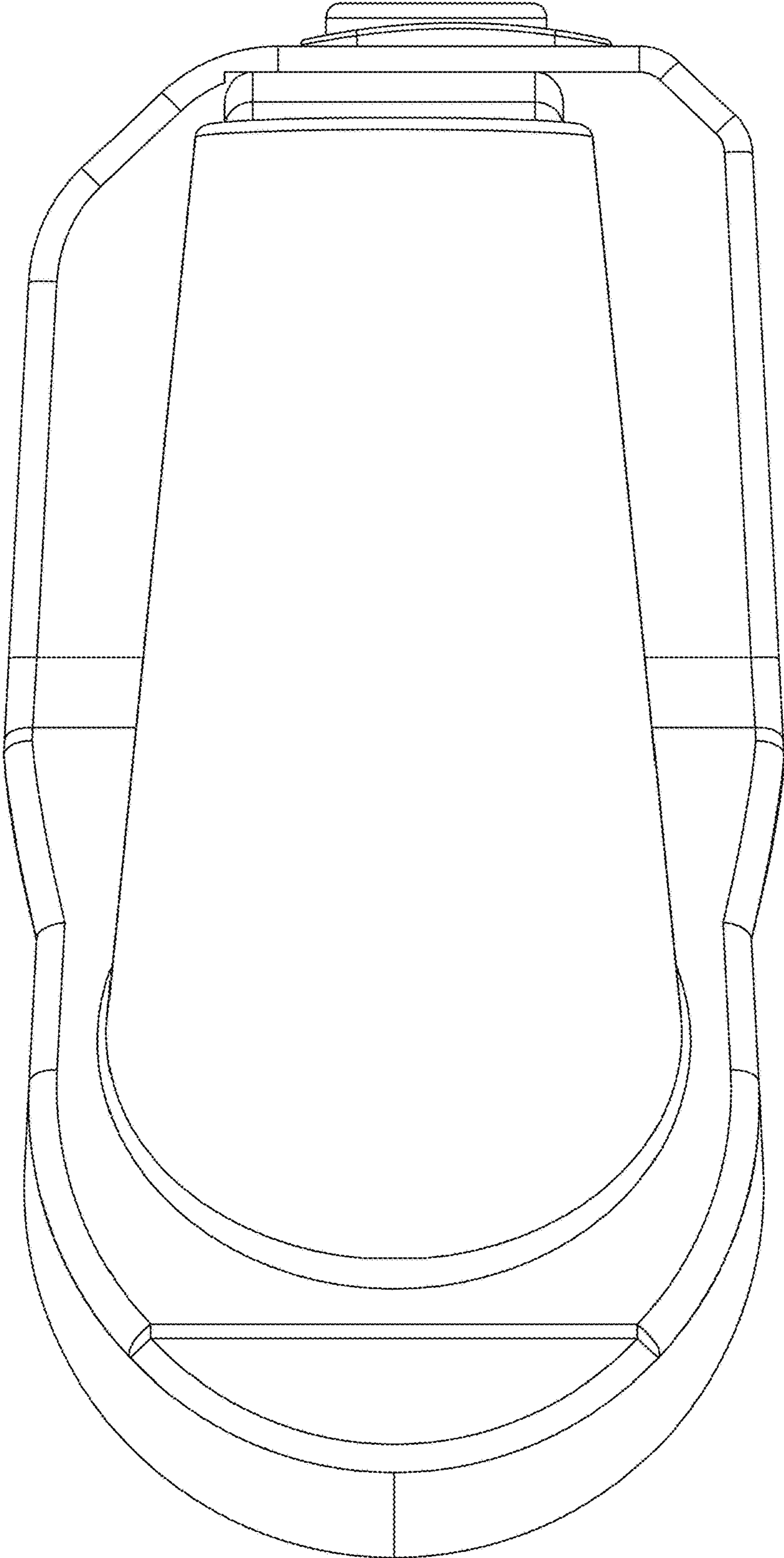


FIG. 10

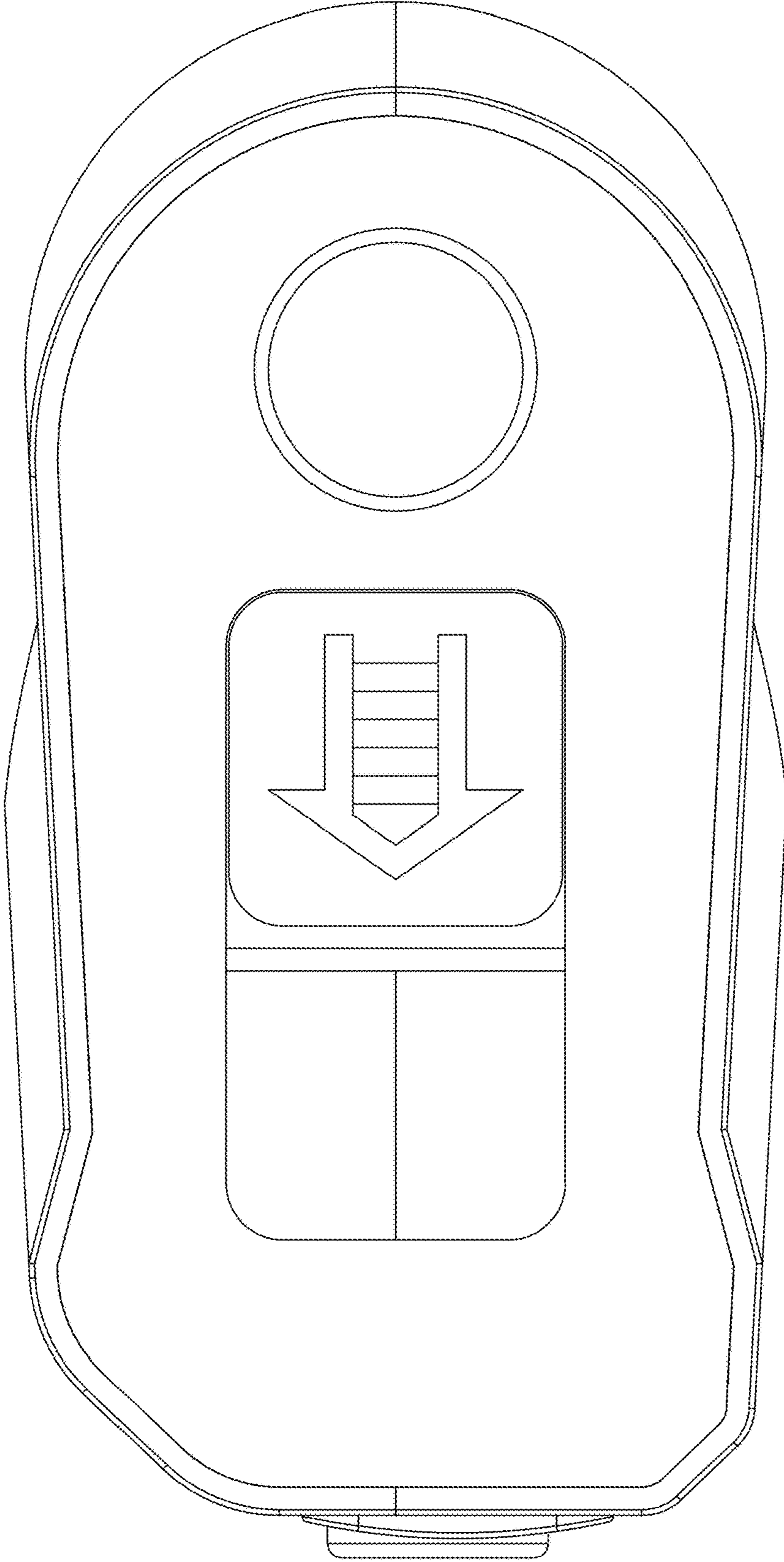


FIG.11