



US00D883564S

(12) **United States Design Patent**
Christofferson

(10) **Patent No.:** **US D883,564 S**

(45) **Date of Patent:** **** May 5, 2020**

(54) **FISHING REEL CIGAR LIGHTER**

D788,256 S * 5/2017 Savakis D22/140
D845,745 S * 4/2019 Kasahara D8/358
D852,927 S * 7/2019 Olliges D22/147

(71) Applicant: **One Lung Enterprises LLC**, Parker,
CO (US)

(72) Inventor: **John Christofferson**, Parker, CO (US)

(73) Assignee: **One Lung Enterprises LLC**, Parker,
CO (US)

(**) Term: **15 Years**

(21) Appl. No.: **29/611,256**

(22) Filed: **Jul. 19, 2017**

(51) **LOC (12) Cl.** **27-05**

(52) **U.S. Cl.**
USPC **D27/148**

(58) **Field of Classification Search**
USPC D27/148, 139, 141, 142, 194; D22/134,
D22/138, 139, 147, 148; 43/25;
131/329, 330
CPC A10K 87/007; A24F 13/00; A23Q 7/14;
A23Q 7/16
See application file for complete search history.

(56) **References Cited**

U.S. PATENT DOCUMENTS

- 3,169,290 A * 2/1965 Snodgrass A01K 87/00
24/331
- 3,992,799 A * 11/1976 Oakes A01K 87/00
43/25
- 6,178,685 B1 * 1/2001 Broadway A01K 97/08
43/18.1 R
- D458,339 S * 6/2002 Cheong D22/134
- D460,144 S * 7/2002 Huy, Jr. D22/147
- D520,180 S * 5/2006 Chen D11/72
- D526,740 S * 8/2006 Xu D27/148
- D539,469 S * 3/2007 Chen D1/128
- D548,881 S * 8/2007 Wen D27/148

OTHER PUBLICATIONS

<https://www.therogueangler.com/product/936/fly-fishing-accessories> (Jul. 22, 2019).*
Agnite Fluidless Flameless Cigar Lighter photograph-printed from Pinterest website at <https://www.pinterest.com/pin/393290979934629602/> on Jul. 14, 2017.

* cited by examiner

Primary Examiner — Marissa J Cash

Assistant Examiner — Rebecca Tsehaye

(74) *Attorney, Agent, or Firm* — Colorado Patents

(57) **CLAIM**

The ornamental design for a fishing reel cigar lighter, as shown and described.

DESCRIPTION

FIG. 1 is a perspective view of the fishing reel cigar lighter showing my new design.

FIG. 2 is a front view of the fishing reel cigar lighter of FIG. 1;

FIG. 3 is a rear view of the fishing reel cigar lighter of FIG. 1;

FIG. 4 is a left side view of the fishing reel cigar lighter of FIG. 1;

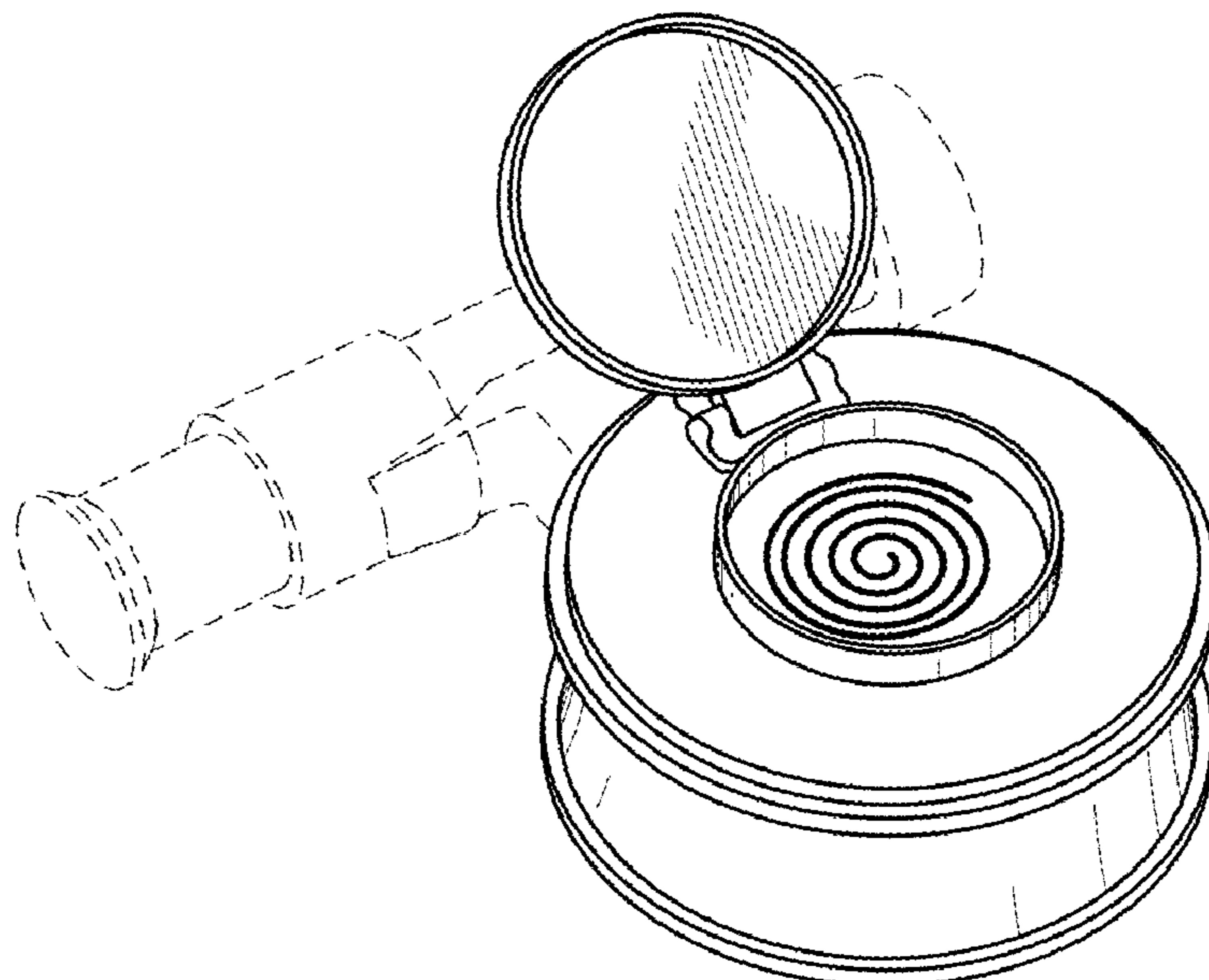
FIG. 5 is a right side view of the fishing reel cigar lighter of FIG. 1;

FIG. 6 is a top plan view of the fishing reel cigar lighter of FIG. 1; and,

FIG. 7 is a bottom plan view of the fishing reel cigar lighter of FIG. 1.

The broken lines in the drawings illustrate environmental subject matter only and form no part of the claimed design.

1 Claim, 2 Drawing Sheets



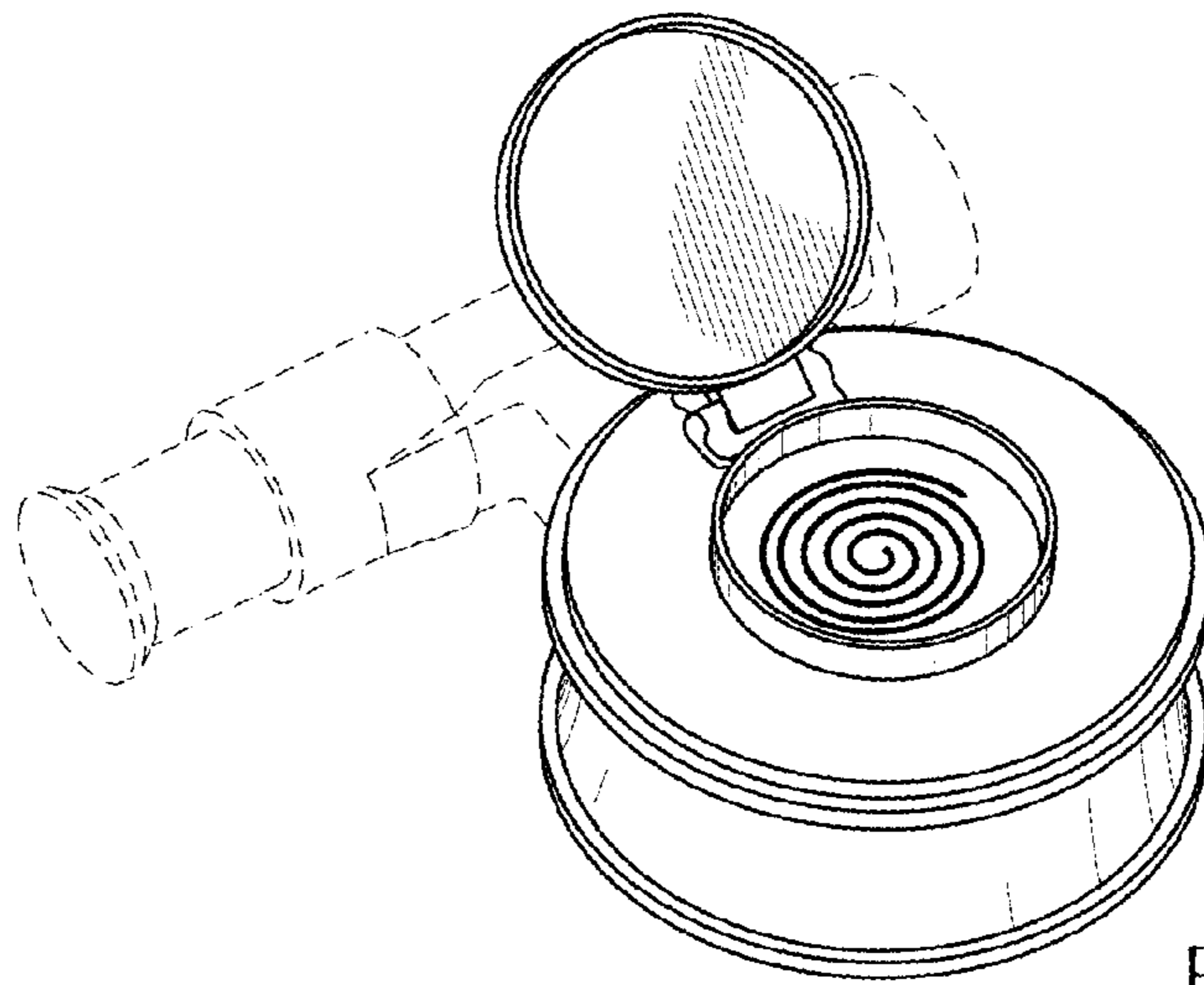


FIG. 1

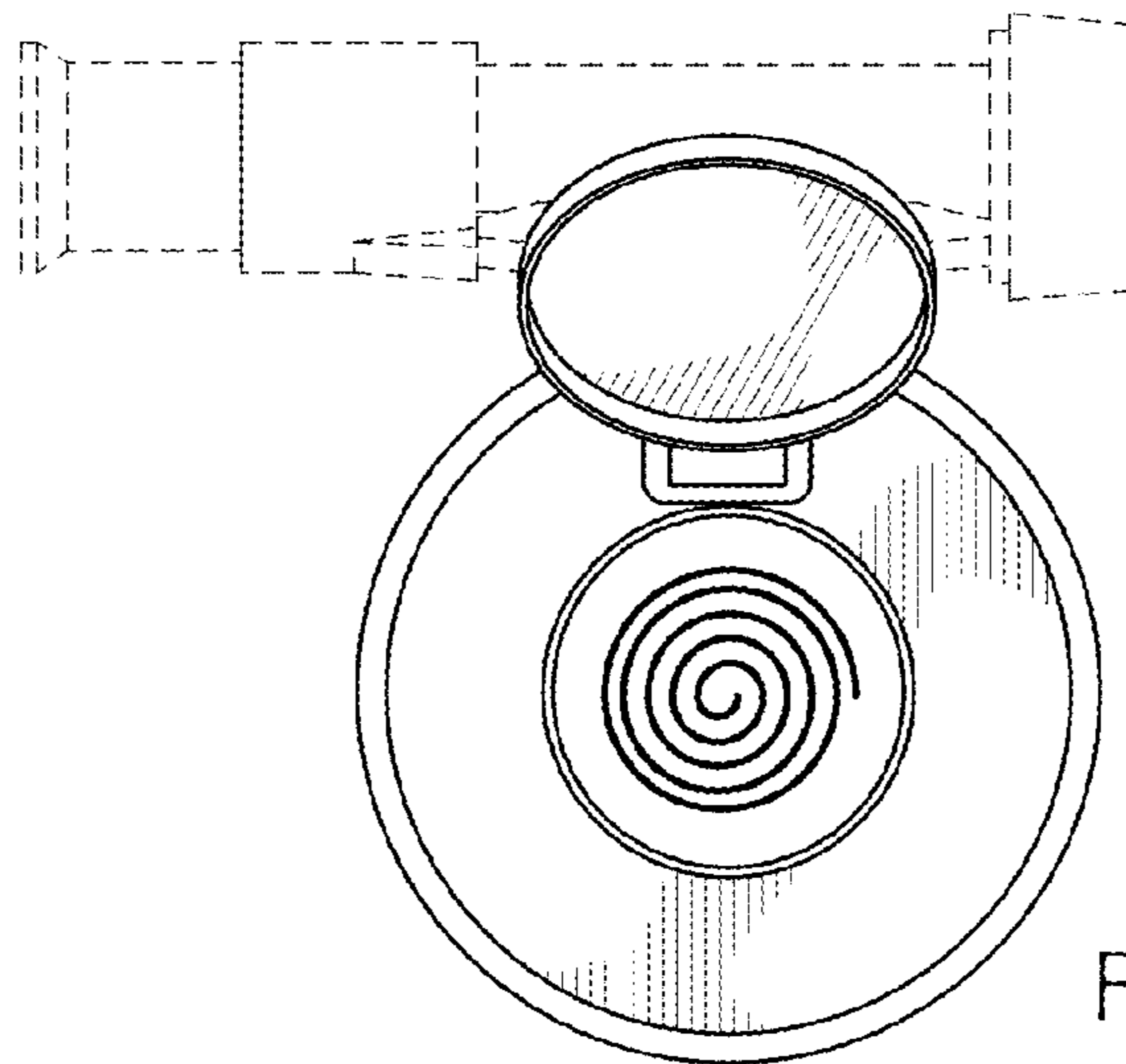


FIG. 2

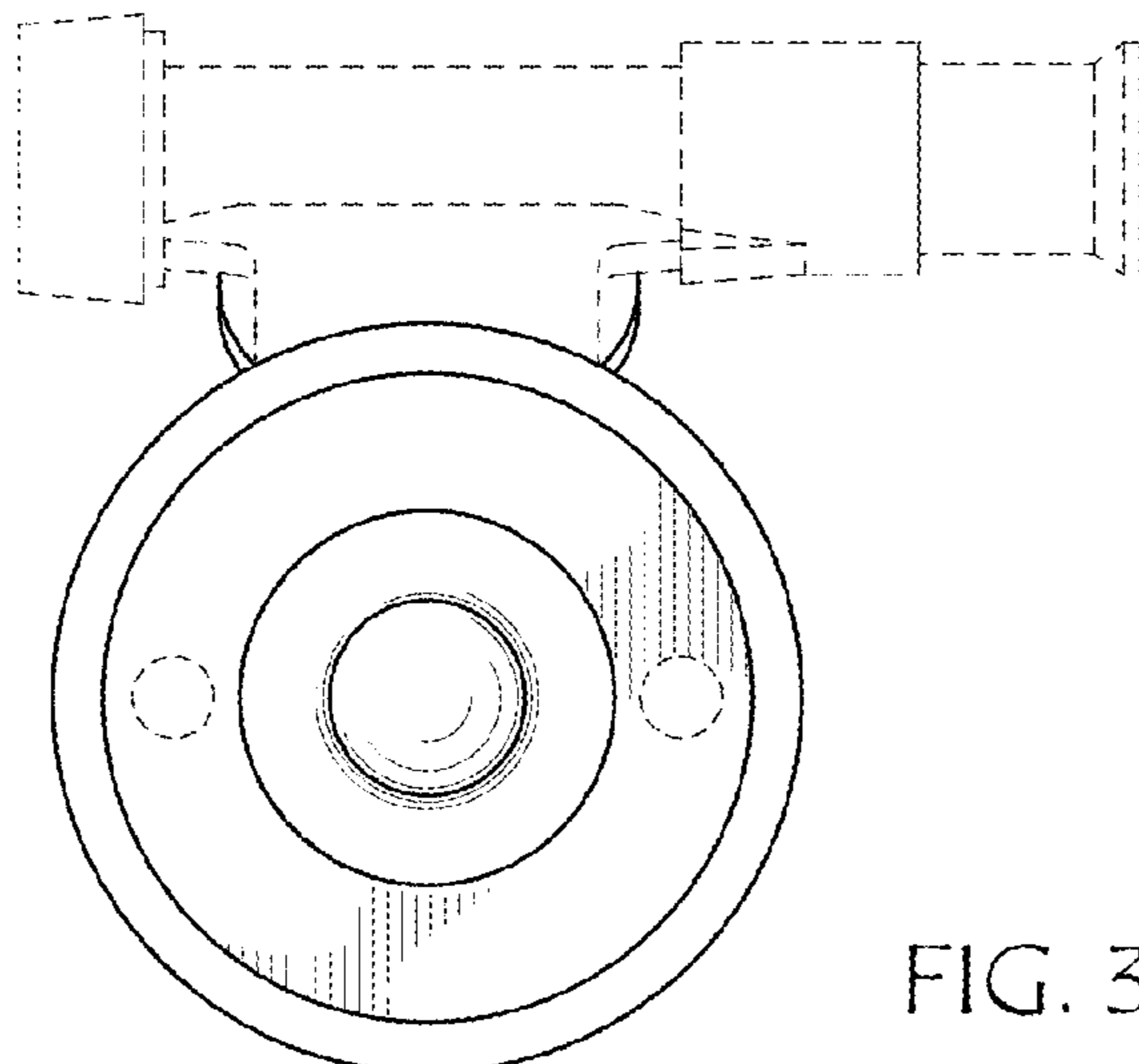


FIG. 3

