



US00D883562S

(12) **United States Design Patent** (10) **Patent No.:** **US D883,562 S**  
**Hu** (45) **Date of Patent:** **\*\* May 5, 2020**

(54) **LED FOG LIGHT BRACKET**  
(71) Applicant: **Chun Hu**, Guangzhou (CN)  
(72) Inventor: **Chun Hu**, Guangzhou (CN)  
(\*\*) Term: **15 Years**  
(21) Appl. No.: **29/672,919**  
(22) Filed: **Dec. 10, 2018**  
(51) **LOC (12) Cl.** ..... **26-05**  
(52) **U.S. Cl.**  
USPC ..... **D26/138; D26/28**  
(58) **Field of Classification Search**  
USPC ..... D26/72, 74, 76, 78-83, 85, 86, 88, 90,  
D26/93, 111, 113, 118, 119, 120, 121,  
D26/122, 138, 139, 140, 141, 142, 152,  
D26/28  
CPC ..... F21S 2/00; F21S 4/00; F21S 4/003; F21S  
4/005; F21S 4/006; F21S 4/007; F21S  
4/008; F21S 6/00; F21S 8/00; F21S  
8/024; F21S 8/026; F21S 8/031; F21S  
8/033; F21S 8/035-037; F21S 8/04; F21S  
8/043; F21S 8/063  
See application file for complete search history.

(56) **References Cited**  
U.S. PATENT DOCUMENTS  
D465,061 S \* 10/2002 Guthrie ..... D23/269  
D469,213 S \* 1/2003 Huang ..... D26/139  
D623,344 S \* 9/2010 Tsai ..... D26/138  
D653,799 S \* 2/2012 Baker ..... D26/138

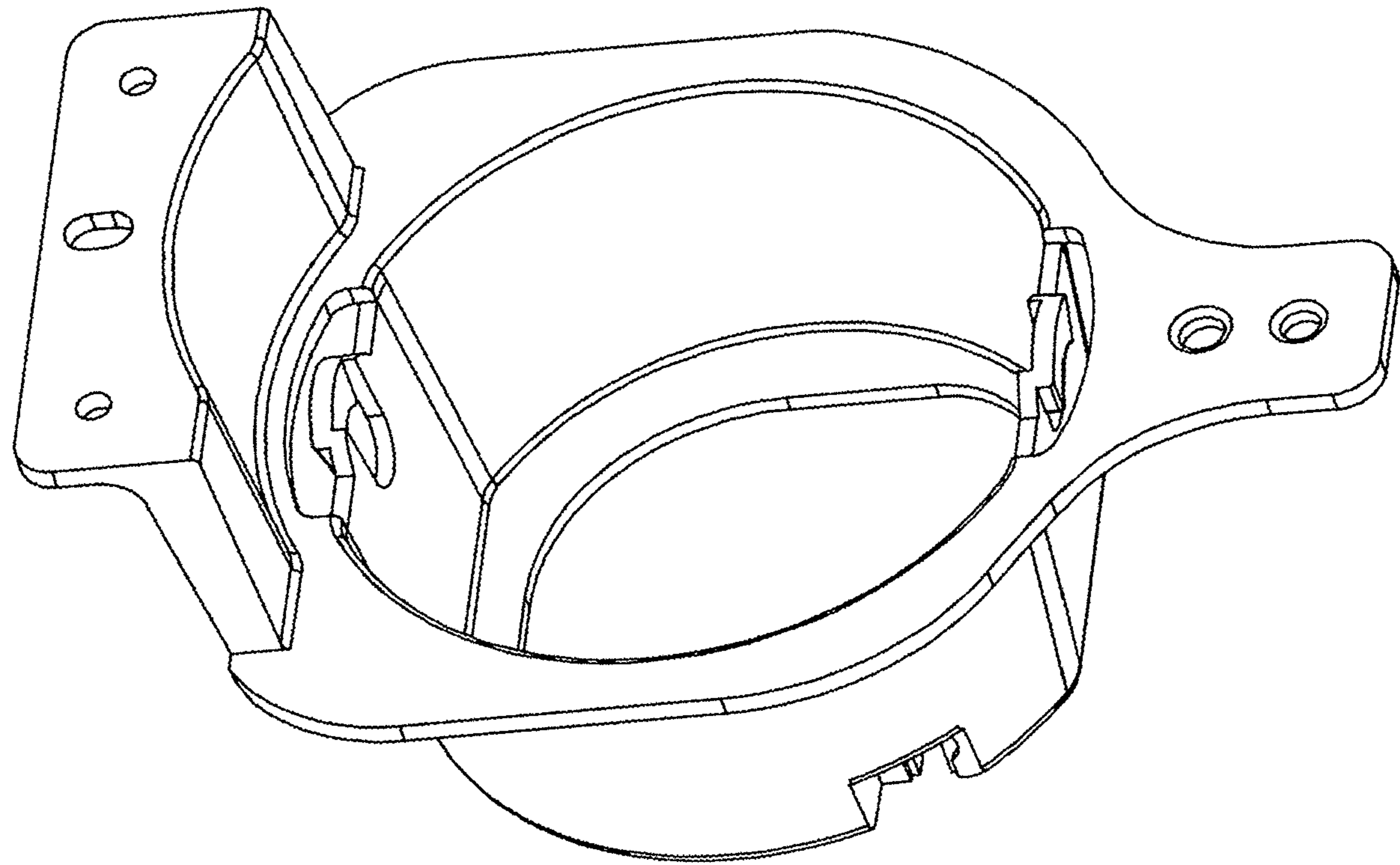
D667,989 S \* 9/2012 May ..... D26/139  
D700,737 S \* 3/2014 Campagna ..... D26/142  
D724,255 S \* 3/2015 Herbin ..... D26/139  
D735,933 S \* 8/2015 Campagna ..... D26/142  
D753,335 S \* 4/2016 Jackson ..... D26/139  
D770,084 S \* 10/2016 Salomon ..... D26/138  
D785,852 S \* 5/2017 Rashidi Doust ..... D26/138  
D789,597 S \* 6/2017 Wallach ..... D26/138  
D818,192 S \* 5/2018 Price ..... D26/138  
D843,642 S \* 3/2019 Mathews ..... D26/142

\* cited by examiner  
*Primary Examiner* — Natasha Vujcic

(57) **CLAIM**  
The ornamental design for LED fog light bracket, as shown and described.

**DESCRIPTION**  
FIG. 1 is a top view of my LED fog light bracket design; FIG. 2 is a rear-bottom view thereof; FIG. 3 is a vertical view thereof; FIG. 4 is a bottom view thereof; FIG. 5 is a left-side view thereof; FIG. 6 is a right-side view thereof; FIG. 7 is a back view thereof; and, FIG. 8 is a front view thereof.  
My design is a LED fog light bracket of JEEP Wrangler JL. My design can install four-inch fog lights on the market now to JEEP Wrangler JL conveniently, and it can be adjusted horizontally in a simple and convenient way.

**1 Claim, 8 Drawing Sheets**



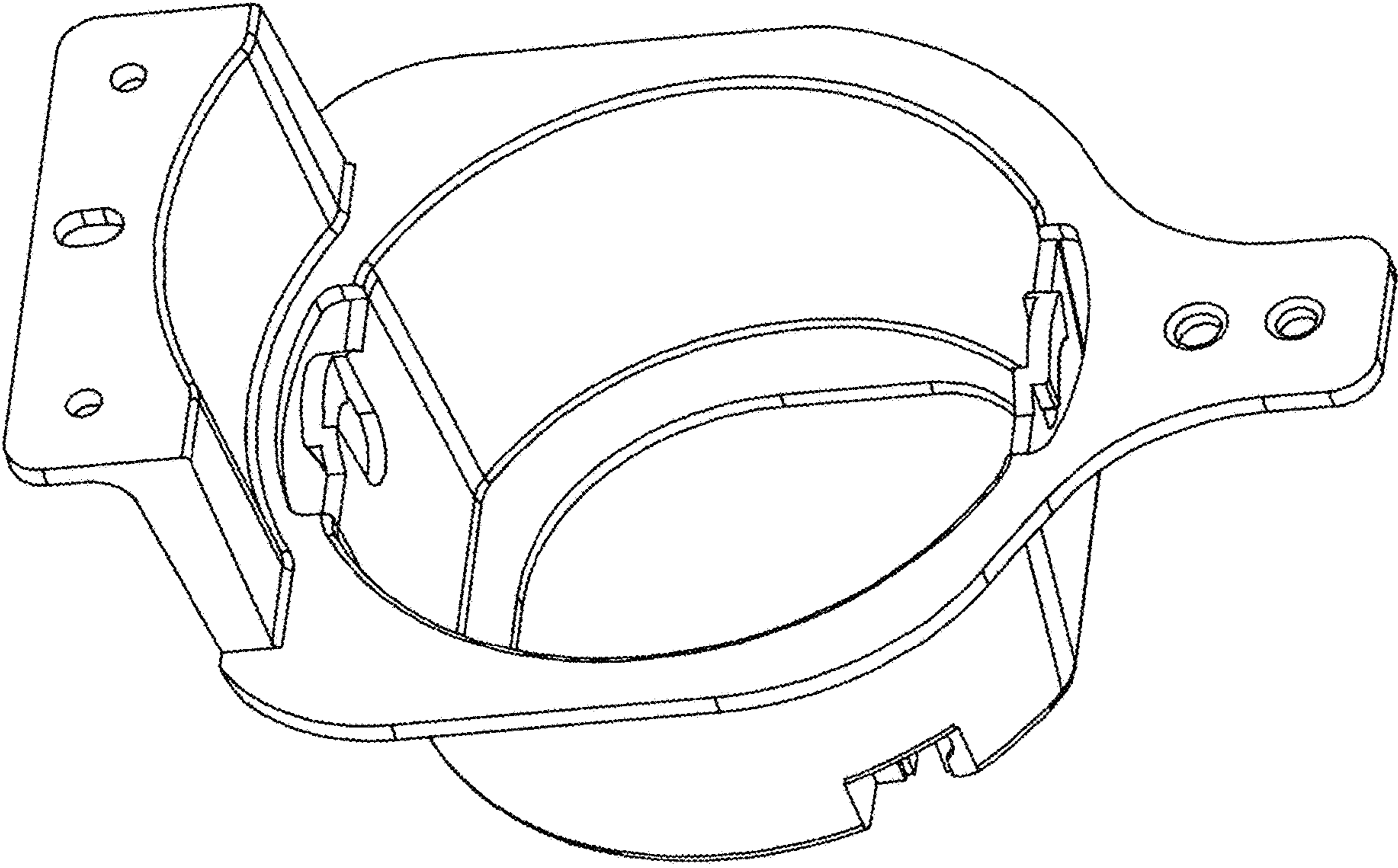


FIG.1

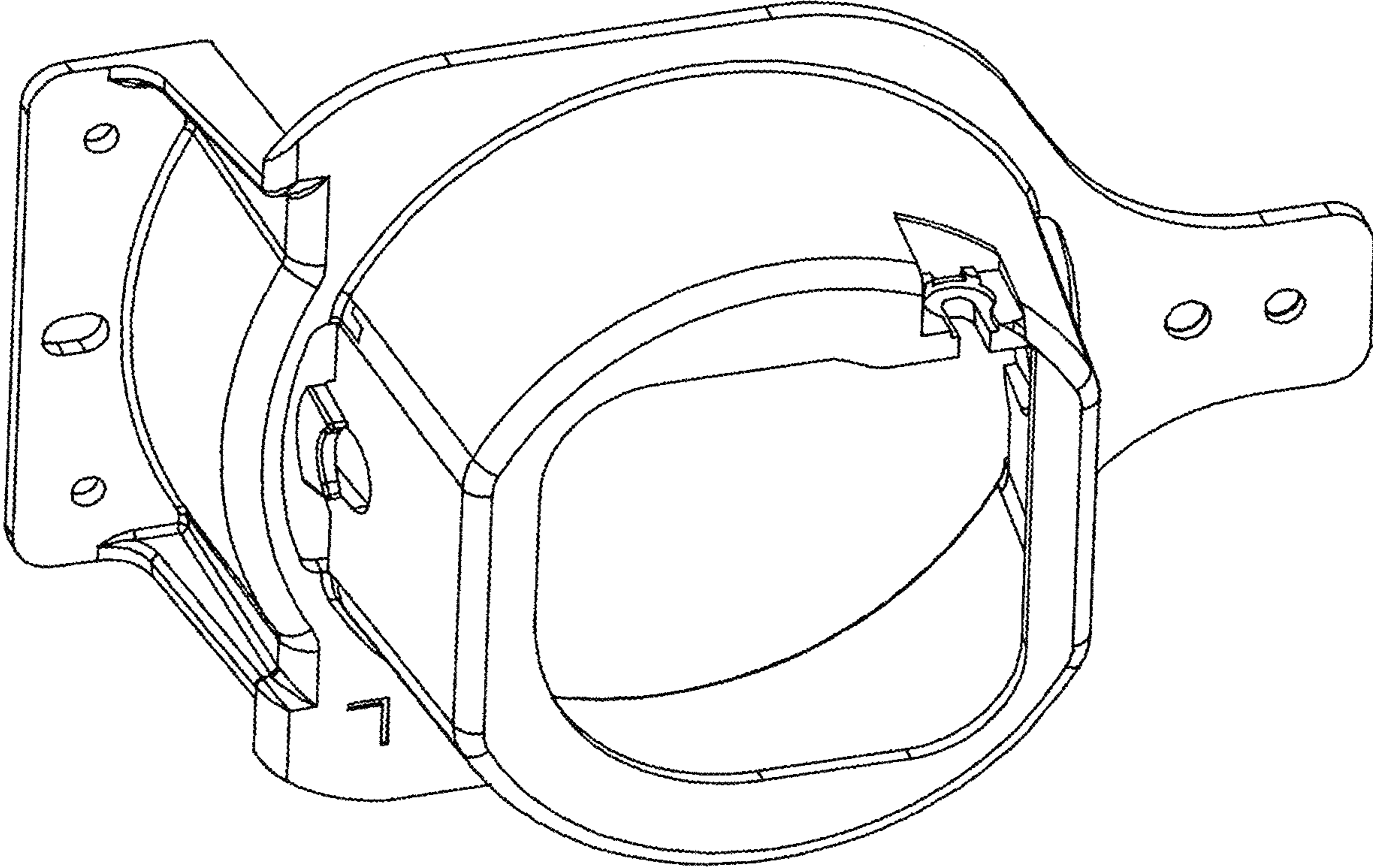


FIG.2

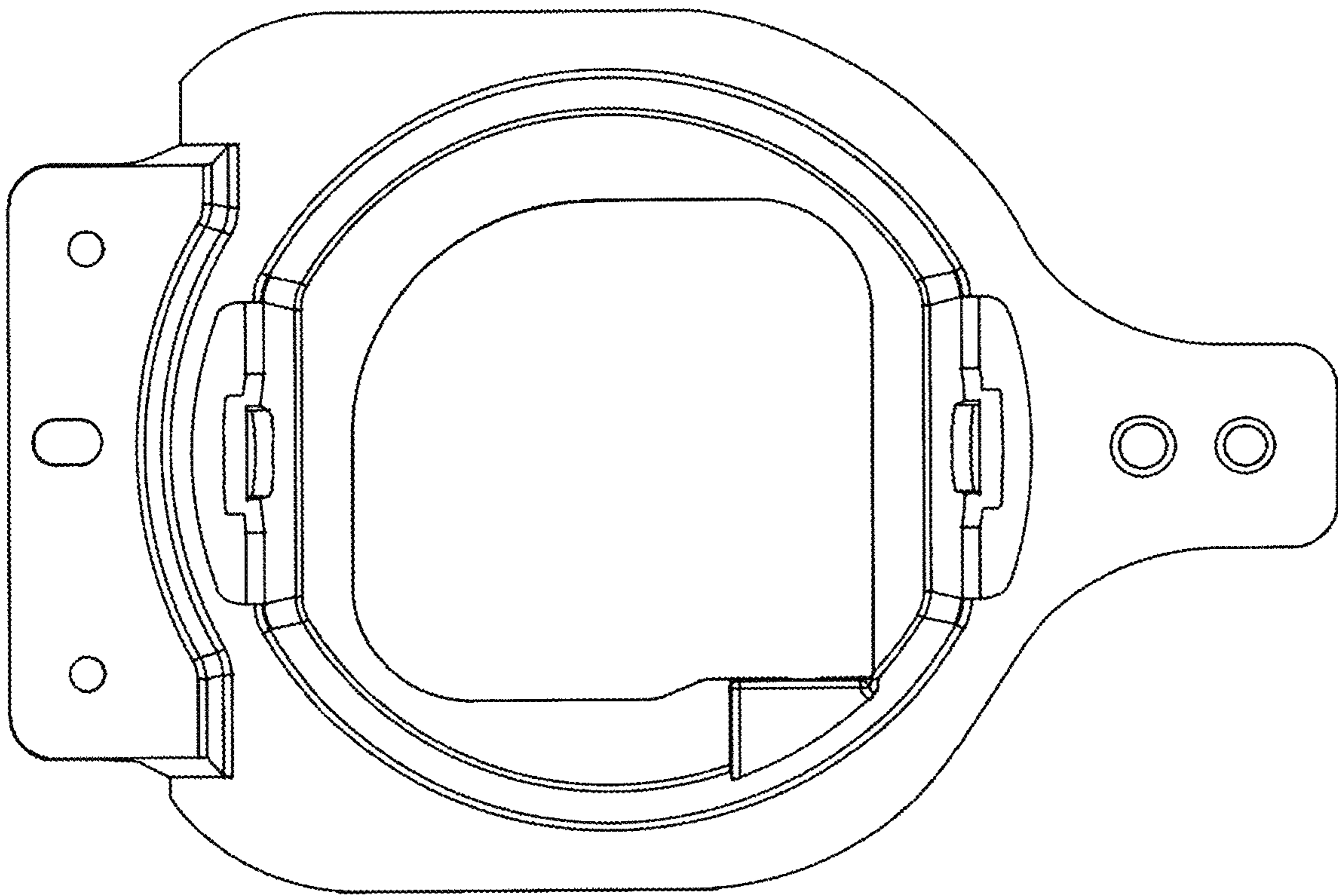


FIG. 3

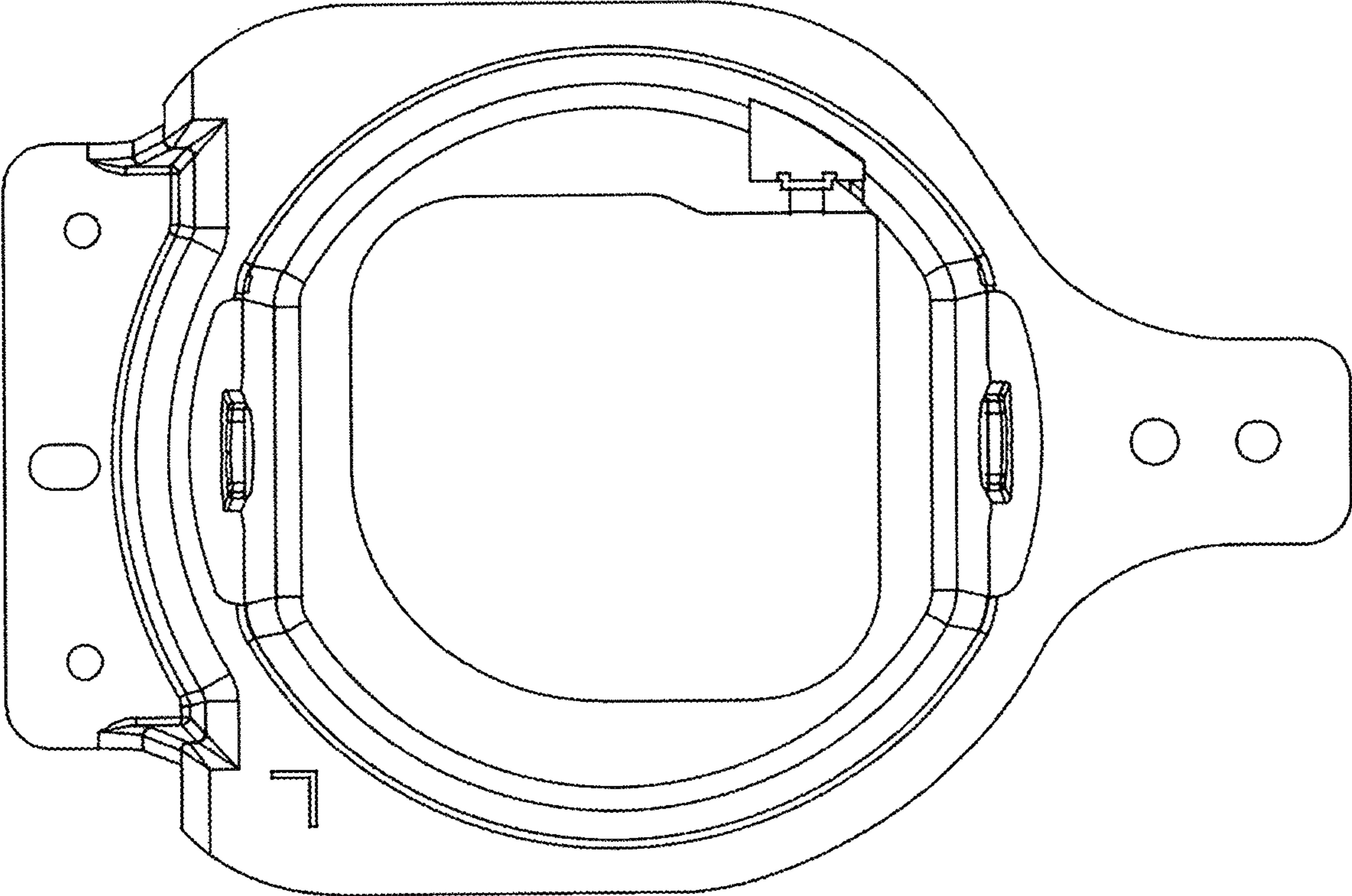


FIG.4

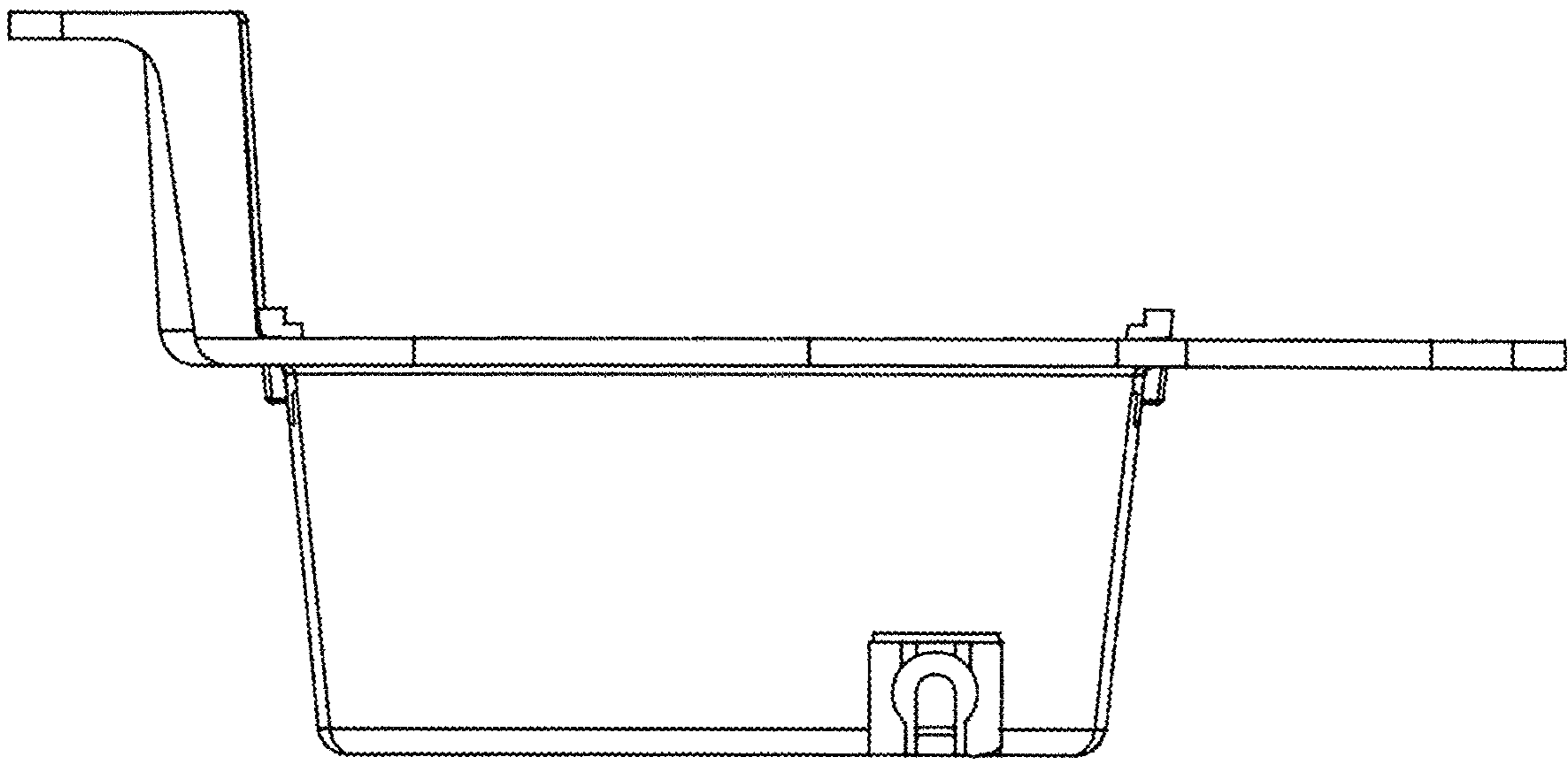


FIG.5

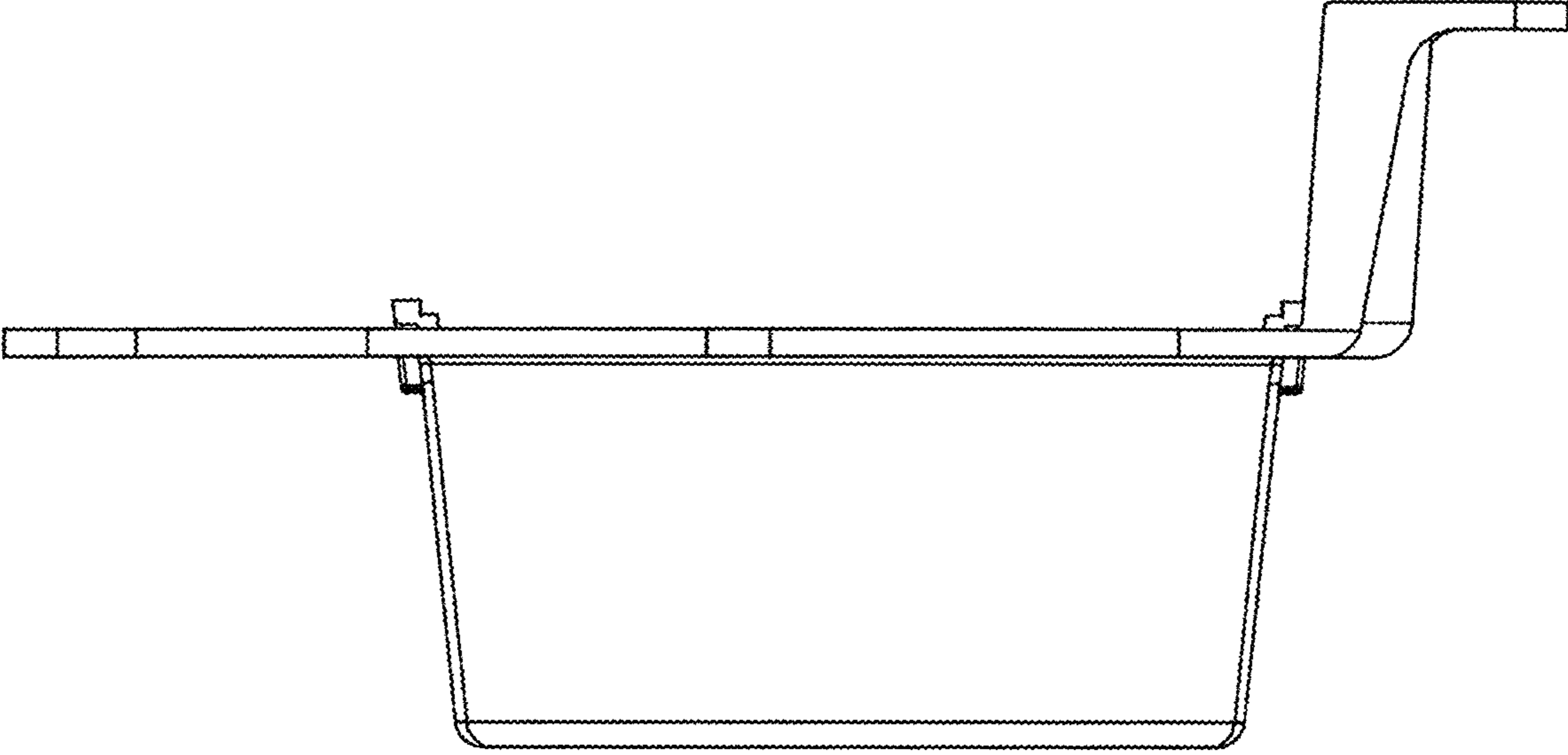


FIG.6

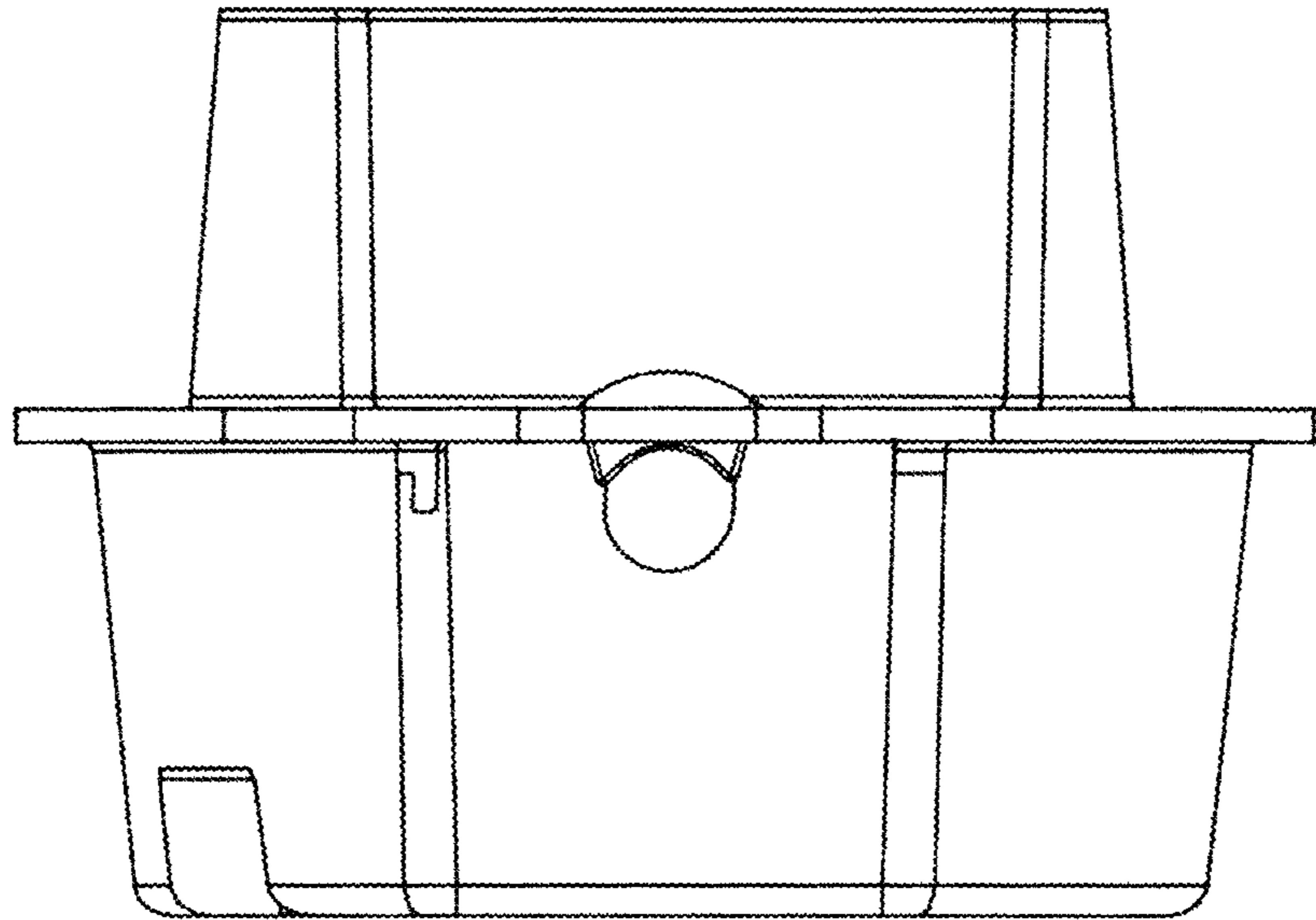


FIG.7



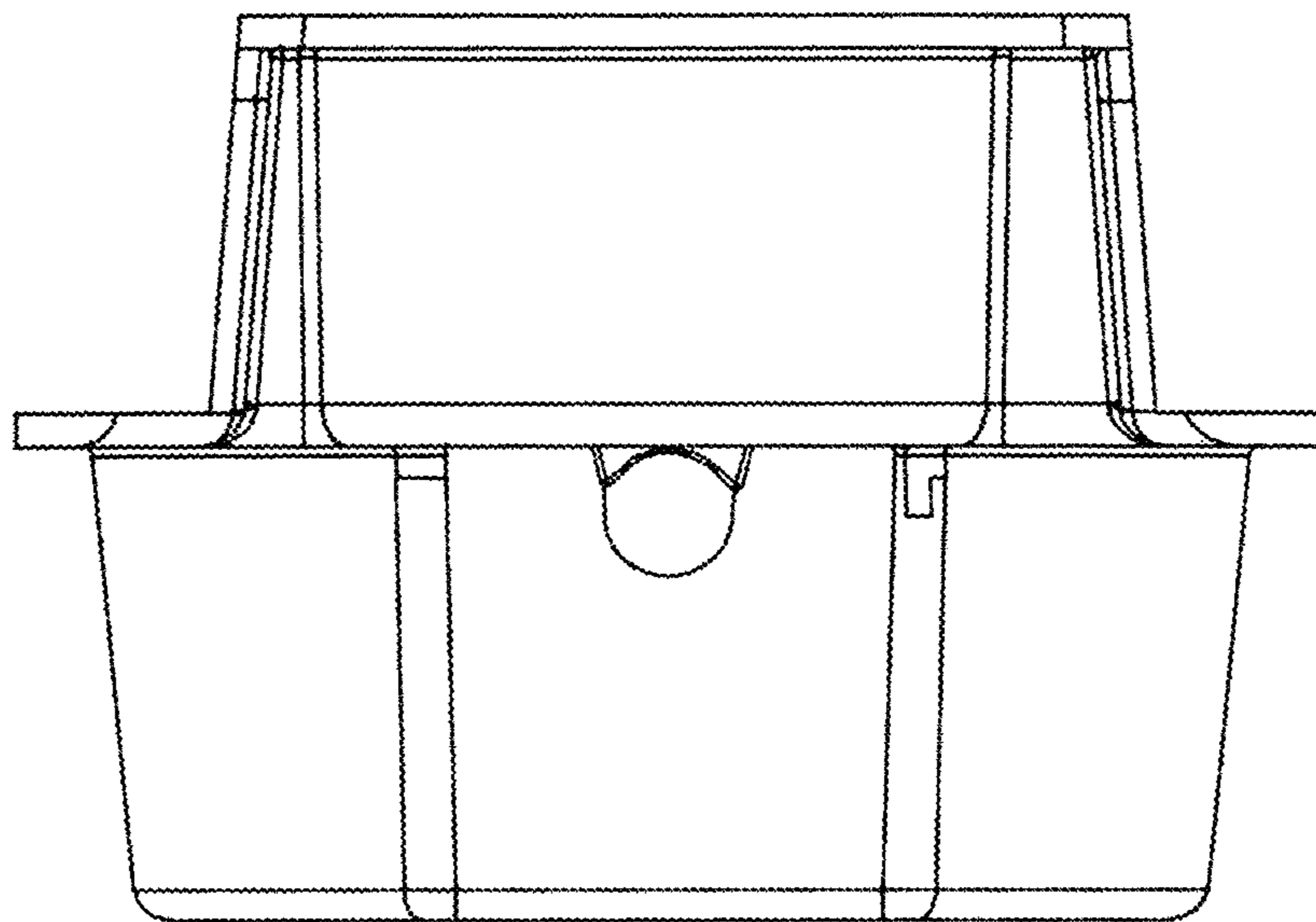


FIG.8