



US00D883561S

(12) **United States Design Patent** (10) **Patent No.:** **US D883,561 S**  
**Romano et al.** (45) **Date of Patent:** **\*\* May 5, 2020**

(54) **HAND HELD LIGHT**

(56) **References Cited**

(71) Applicant: **Ontel Products Corporation**, Fairfield, NJ (US)

U.S. PATENT DOCUMENTS

(72) Inventors: **Matthew Romano**, Maplewood, NJ (US); **Ross Exley**, Morristown, NJ (US)

D251,751 S *	5/1979	Lawrence	.....	D26/119
D359,139 S *	6/1995	Kaczmarek	.....	D26/119
D400,291 S *	10/1998	Meltzer	.....	D26/119
D489,467 S *	5/2004	Mackin	.....	D26/119
D500,383 S *	12/2004	Lin	.....	D26/119

(73) Assignee: **ONTEL PRODUCTS CORPORATION**, Fairfield, NJ (US)

\* cited by examiner

(\*\*) Term: **15 Years**

*Primary Examiner* — Marcus A Jackson

(21) Appl. No.: **29/657,275**

(74) *Attorney, Agent, or Firm* — Dickinson Wright, PLLC

(22) Filed: **Jul. 20, 2018**

(57) **CLAIM**

The ornamental design for a hand held light, as shown and described.

(51) **LOC (12) Cl.** ..... **26-99**

**DESCRIPTION**

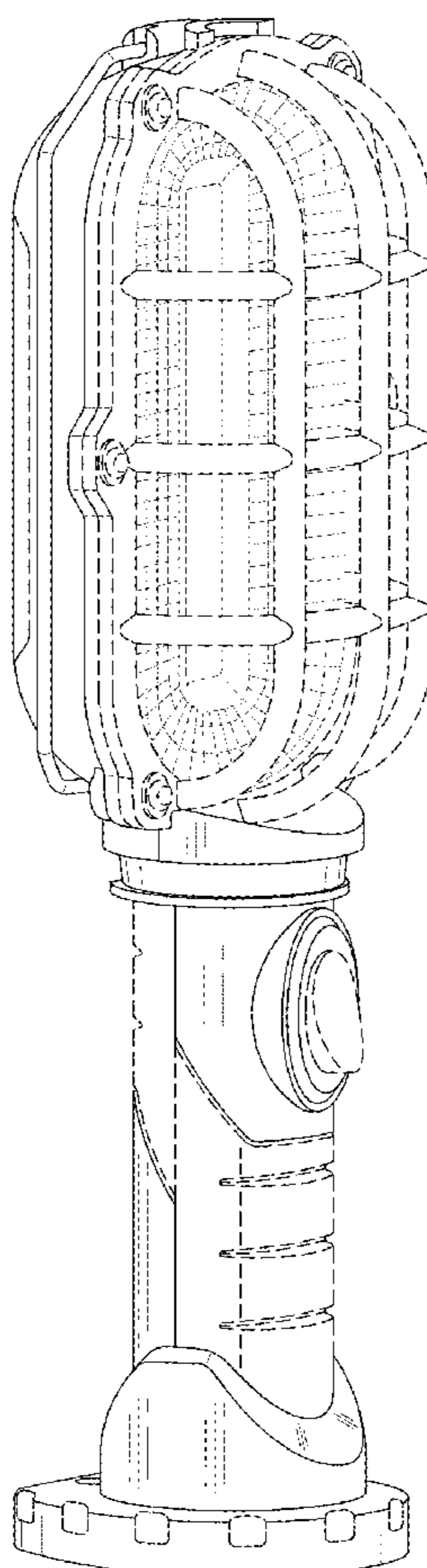
(52) **U.S. Cl.**  
USPC ..... **D26/119**

(58) **Field of Classification Search**  
USPC ..... D26/1-4, 119  
CPC ..... H01R 5/00; H01R 13/46; H01R 13/514;  
H01R 31/048; H01R 31/02; H01J 5/00;  
H01J 5/16; H01J 1/02; H01J 15/00; H01J  
5/48; H01J 5/50; H01J 19/54; F21V 5/00;  
F21K 9/00; F21K 13/00

FIG. 1 is a perspective view of the hand held light;  
FIG. 2 is a front view of the hand held light;  
FIG. 3 is a right side view of the hand held light;  
FIG. 4 is a left side view of the hand held light;  
FIG. 5 is a back view of the hand held light;  
FIG. 6 is bottom view of the hand held light; and,  
FIG. 7 is top view of the hand held light.  
The broken lines in FIGS. 1-7 represents environment only  
and form no part of the claimed design.

See application file for complete search history.

**1 Claim, 6 Drawing Sheets**



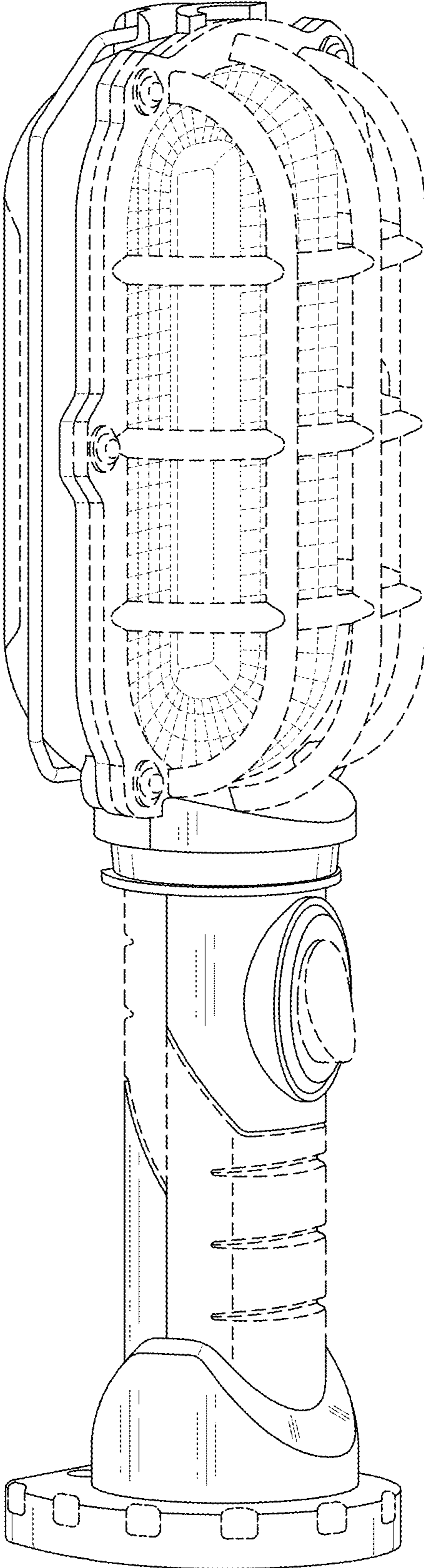


Fig-1

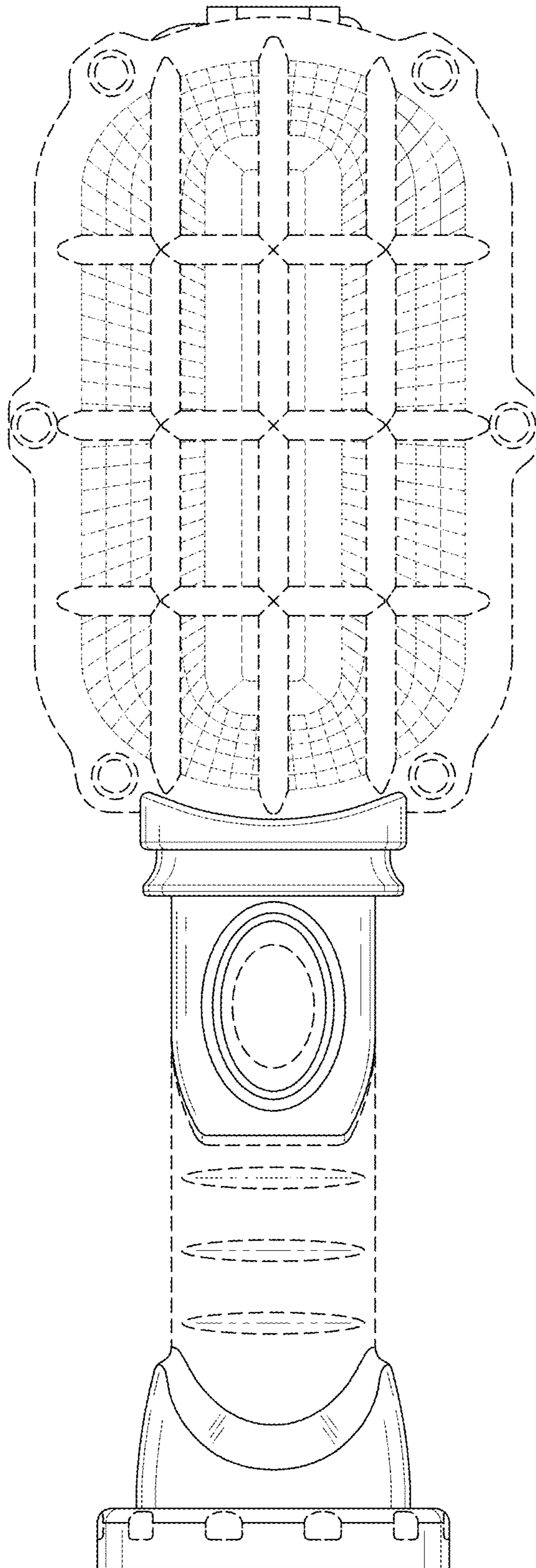


Fig-2

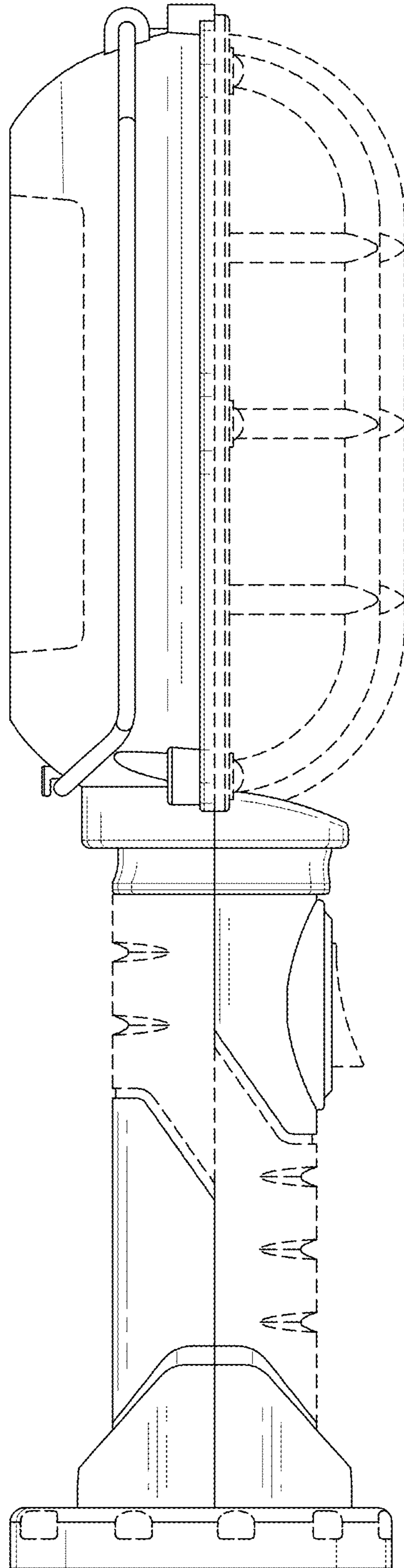


Fig-3

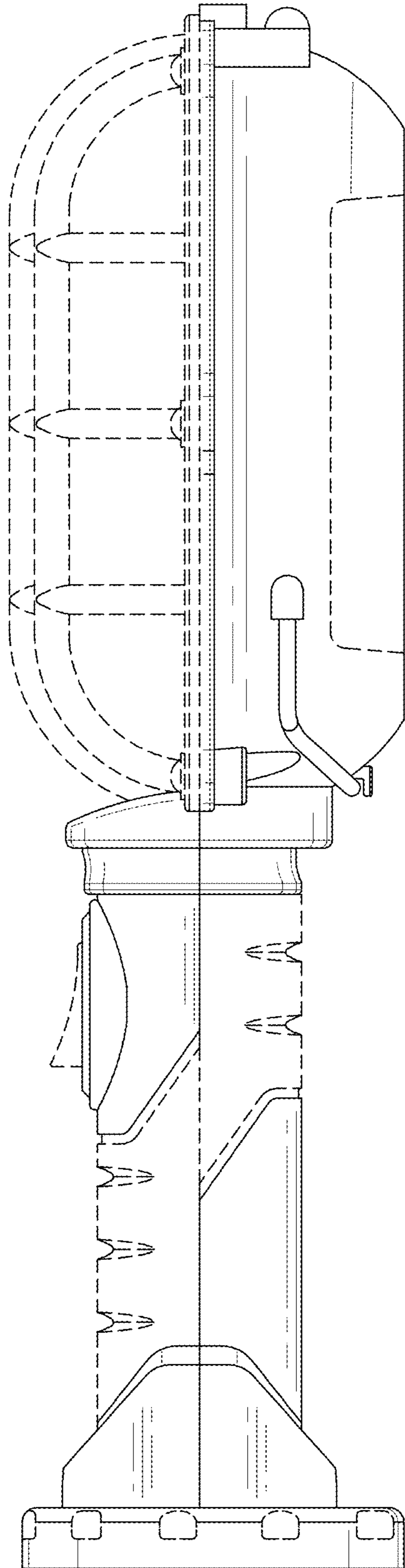


Fig-4



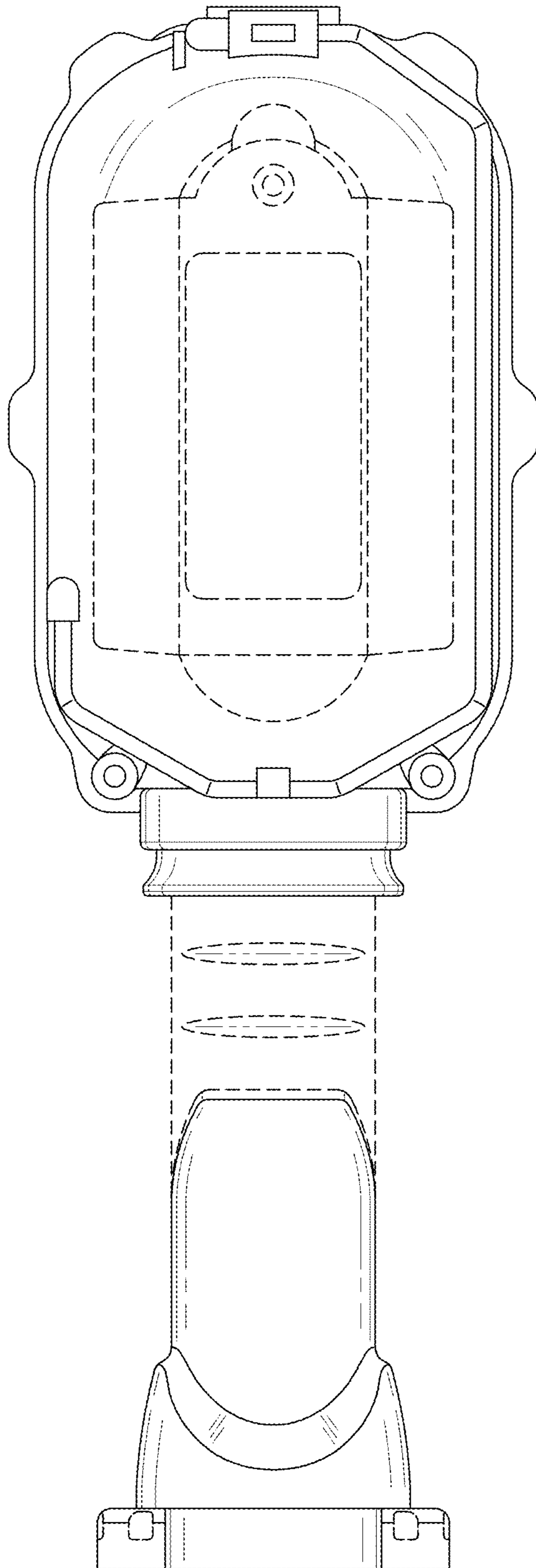


Fig-5

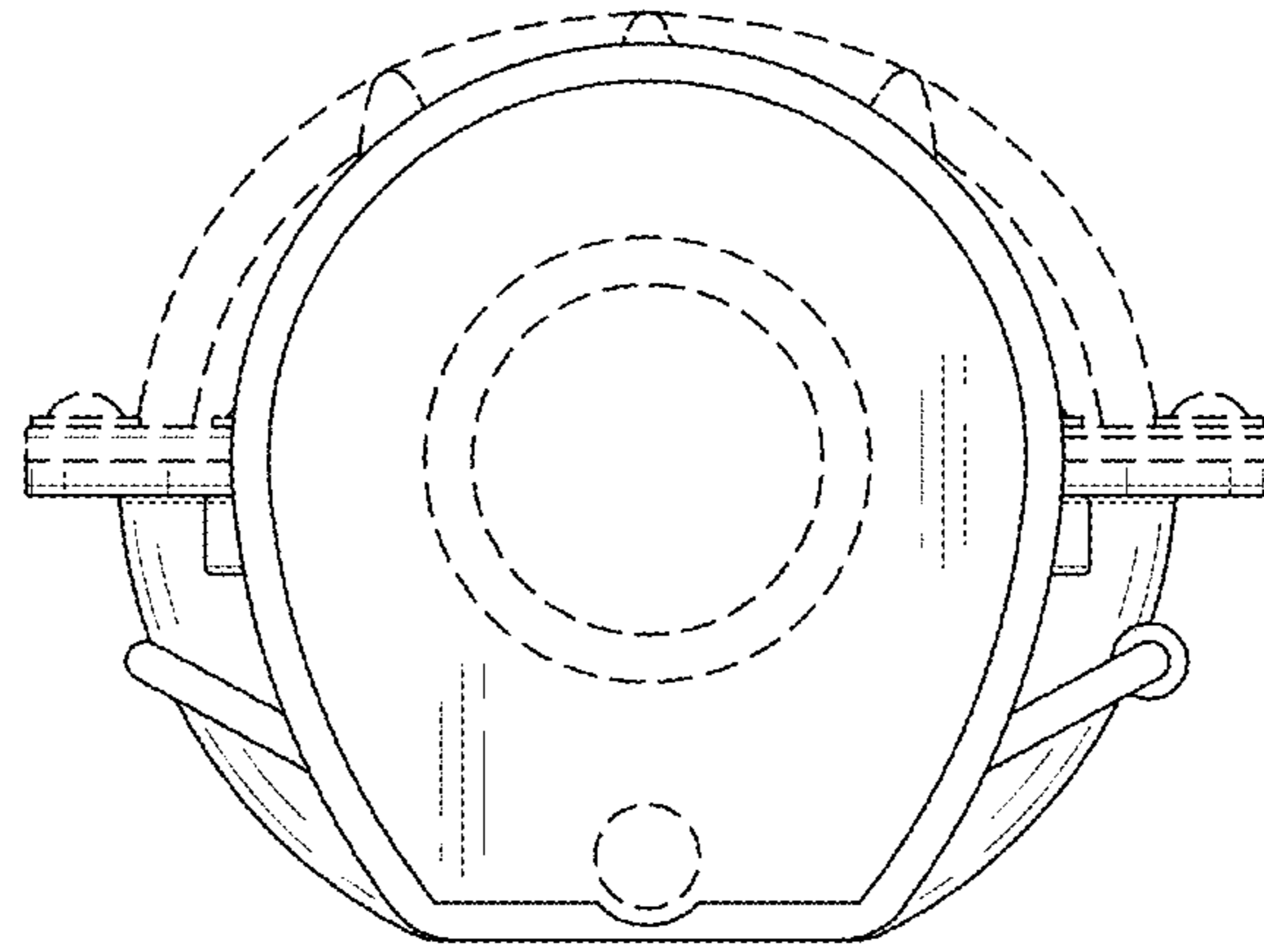


Fig-6

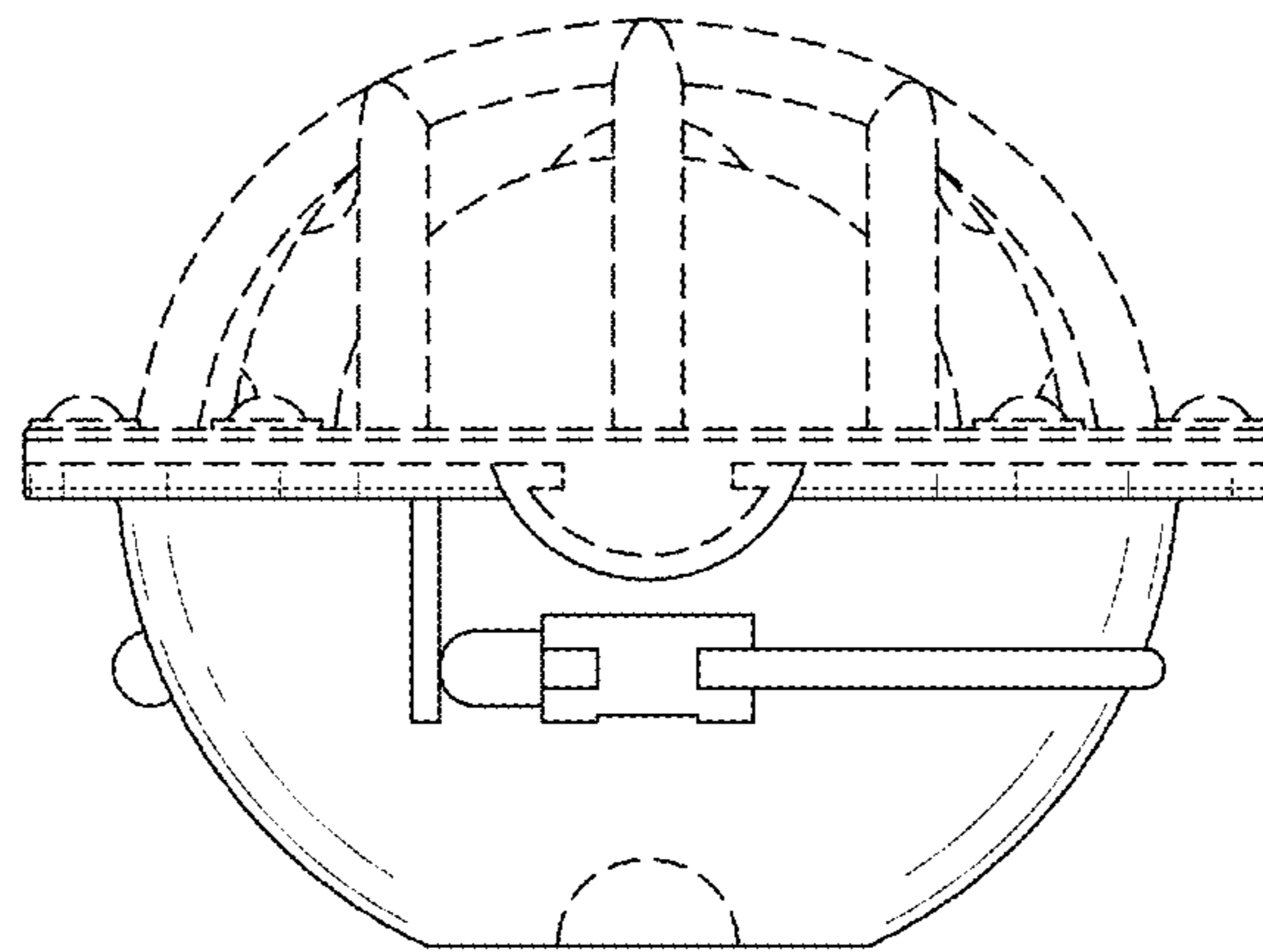


Fig-7