



US00D883560S

(12) **United States Design Patent**
Cooper

(10) **Patent No.:** **US D883,560 S**

(45) **Date of Patent:** **** May 5, 2020**

(54) **DROP LIGHT**

D400,291 S * 10/1998 Meltzer D26/119
D489,467 S * 5/2004 Mackin D26/119
D500,383 S * 12/2004 Lin D26/119

(71) Applicant: **Wilmar Corporation**, Renton, WA
(US)

* cited by examiner

(72) Inventor: **David James Cooper**, Renton, WA
(US)

Primary Examiner — Marcus A Jackson

(73) Assignee: **Wilmar Corporation**, Renton, WA
(US)

(74) *Attorney, Agent, or Firm* — Baumgartner Patent
Law; Marc Baumgartner

(**) Term: **15 Years**

(57) **CLAIM**

(21) Appl. No.: **29/653,272**

The ornamental design for a drop light, as shown and described.

(22) Filed: **Jun. 13, 2018**

(51) **LOC (12) Cl.** **26-99**

(52) **U.S. Cl.**
USPC **D26/119**

(58) **Field of Classification Search**
USPC D26/119, 139, 37-50
CPC F21S 48/00; F21S 48/10; F21S 48/115;
F21S 48/225; F21S 48/1233; F21S
48/1266; F21S 48/1388; F21S 48/2268;
F21V 21/04; B60Q 9/13; B60Q 9/135;
B60Q 9/1375

See application file for complete search history.

DESCRIPTION

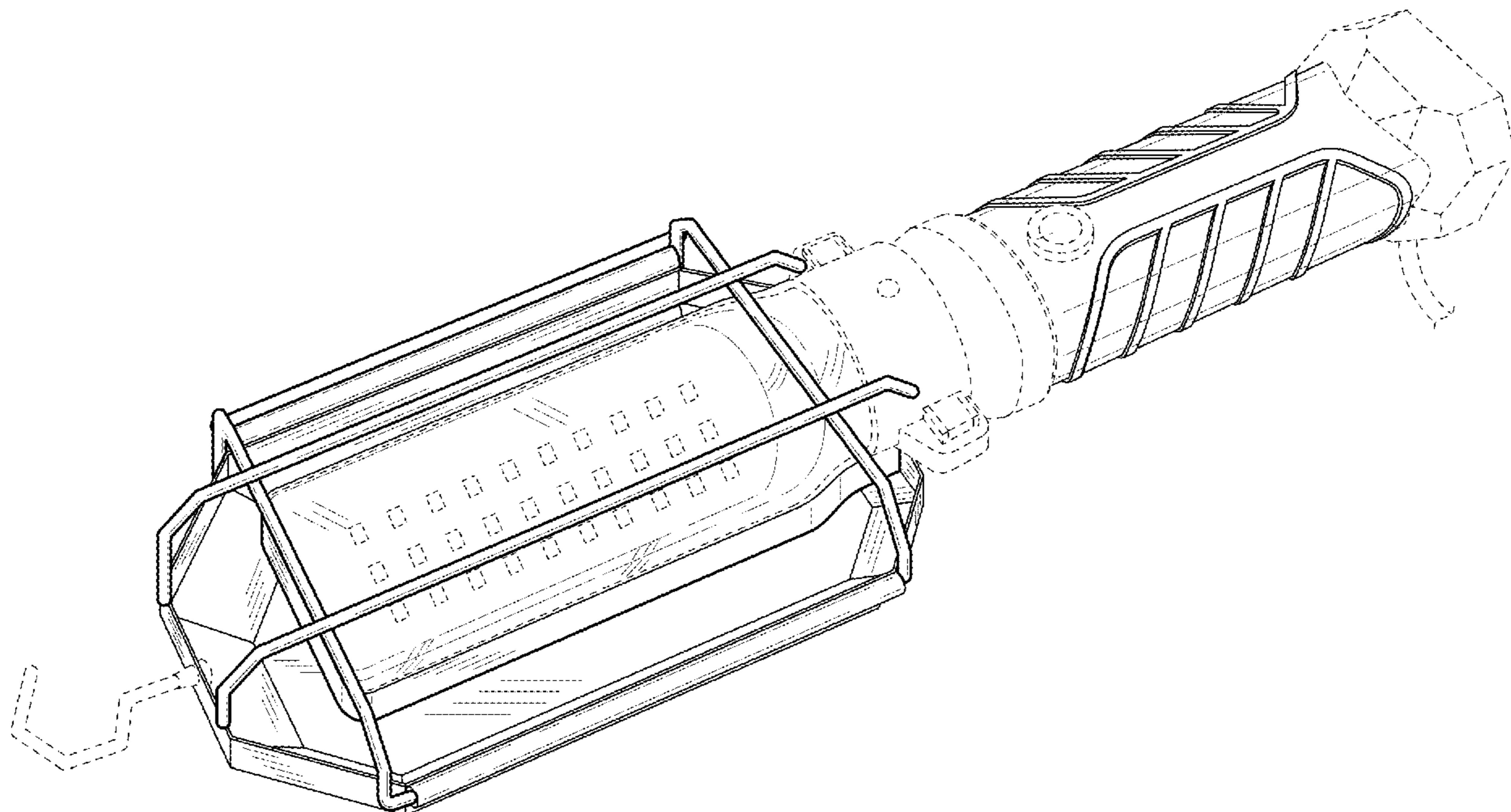
FIG. 1 is a front perspective view of a first embodiment of a drop light embodying my new design; FIG. 2 is a rear perspective view of the drop light of FIG. 1; FIG. 3 is a front view of the drop light of FIG. 1; FIG. 4 is a rear view of the drop light of FIG. 1; FIG. 5 is a first side view of the drop light of FIG. 1; FIG. 6 is a second side view of the drop light of FIG. 1; FIG. 7 is a top view of the drop light of FIG. 1; FIG. 8 is a bottom view of the drop light of FIG. 1; and, FIG. 9 is a cross-sectional view of the drop light of FIG. 1. The broken lines show portions of the article not claimed and form no part of the claimed design.

(56) **References Cited**

U.S. PATENT DOCUMENTS

D331,634 S * 12/1992 Browne D26/119
D359,139 S * 6/1995 Kaczmarek D26/119

1 Claim, 7 Drawing Sheets



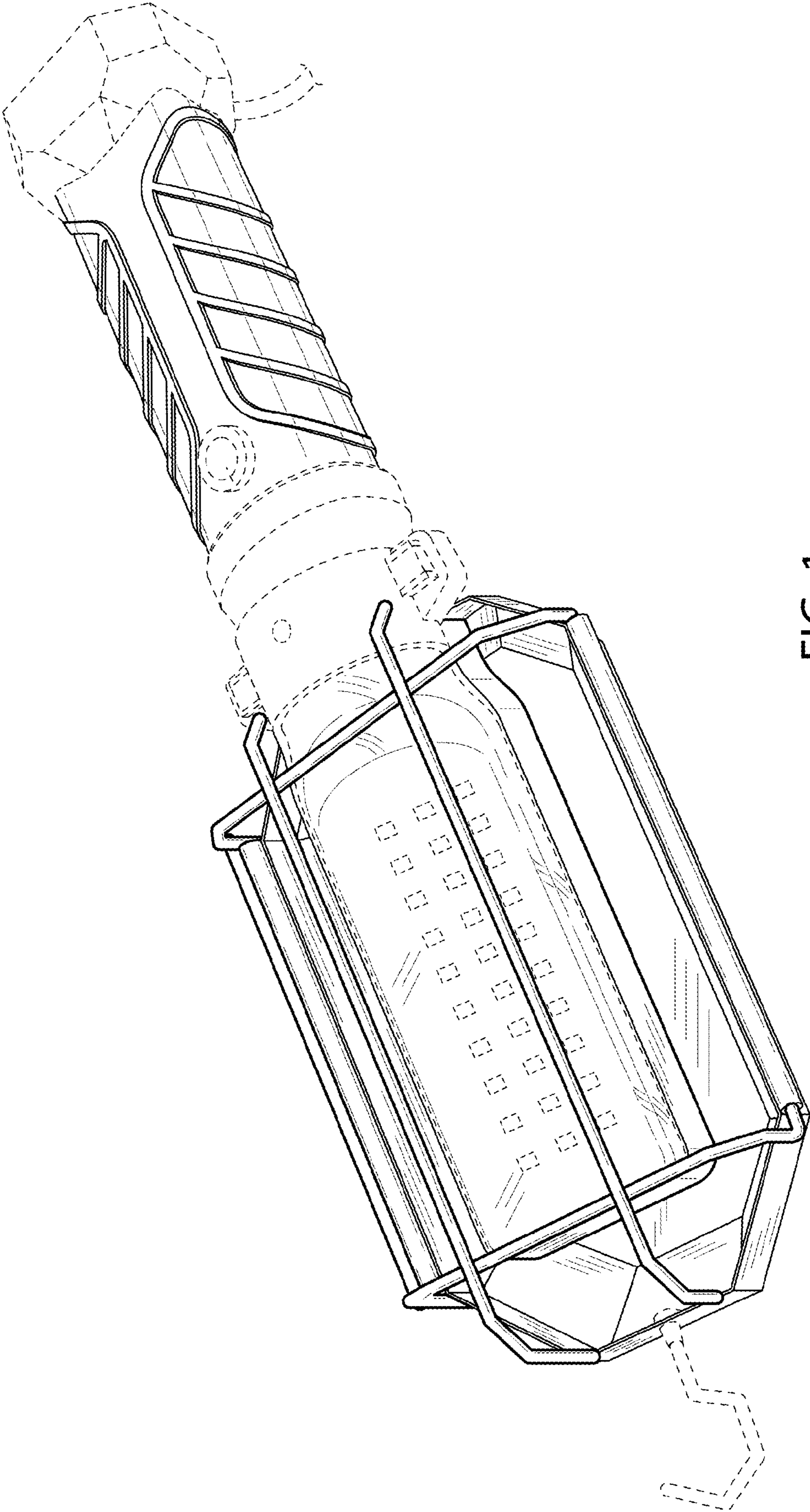


FIG. 1

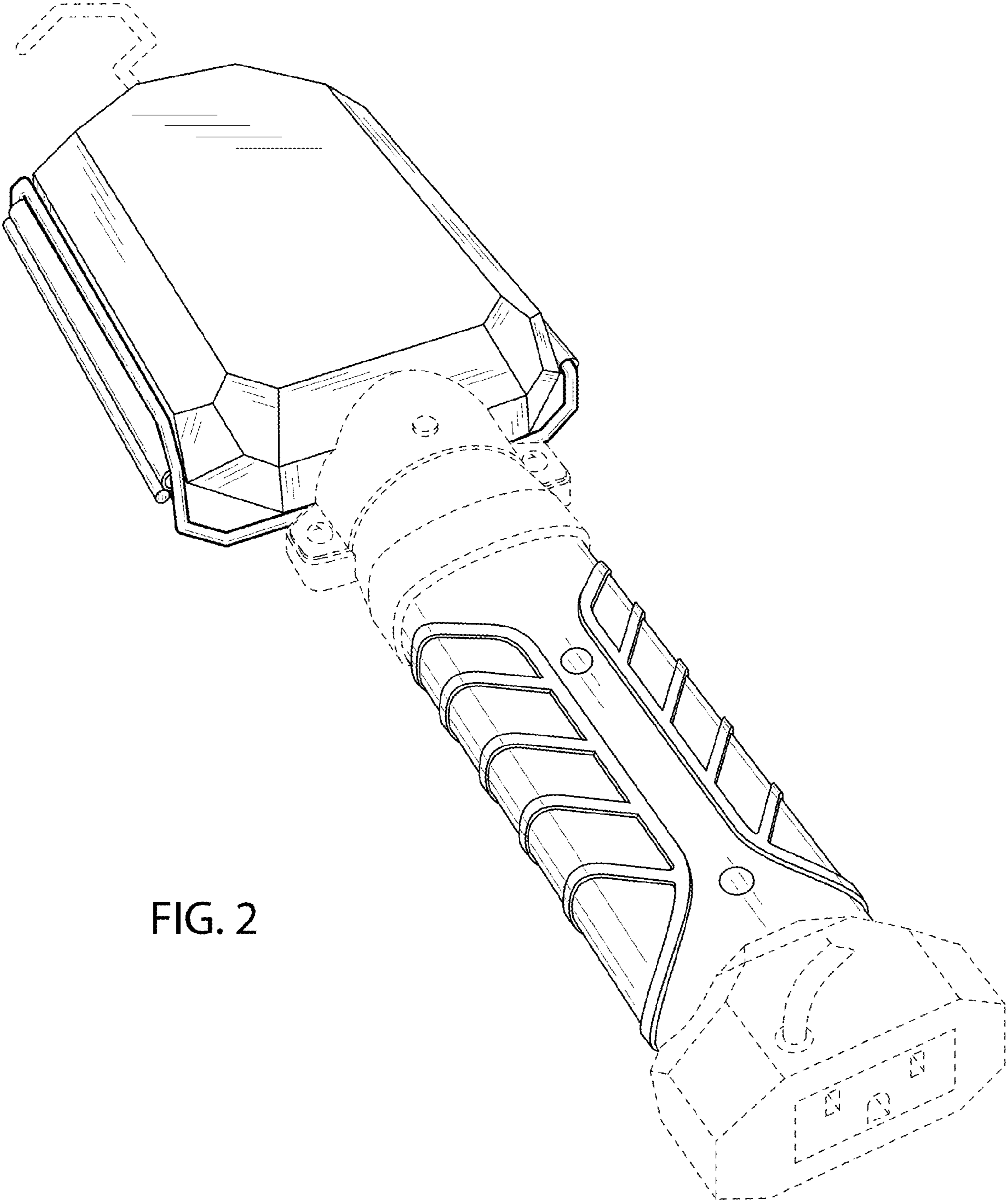


FIG. 2

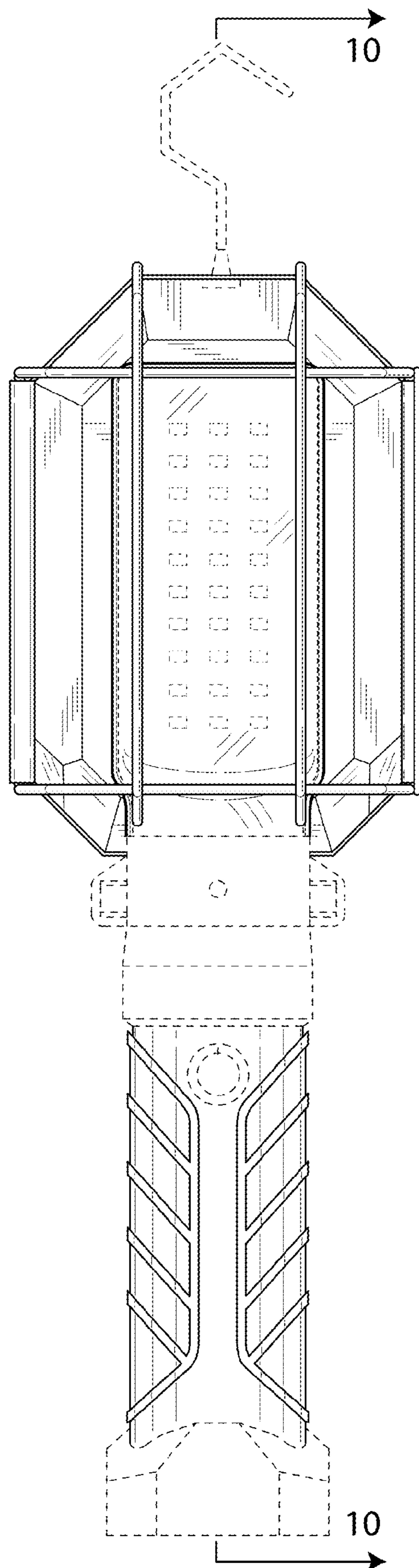


FIG. 3

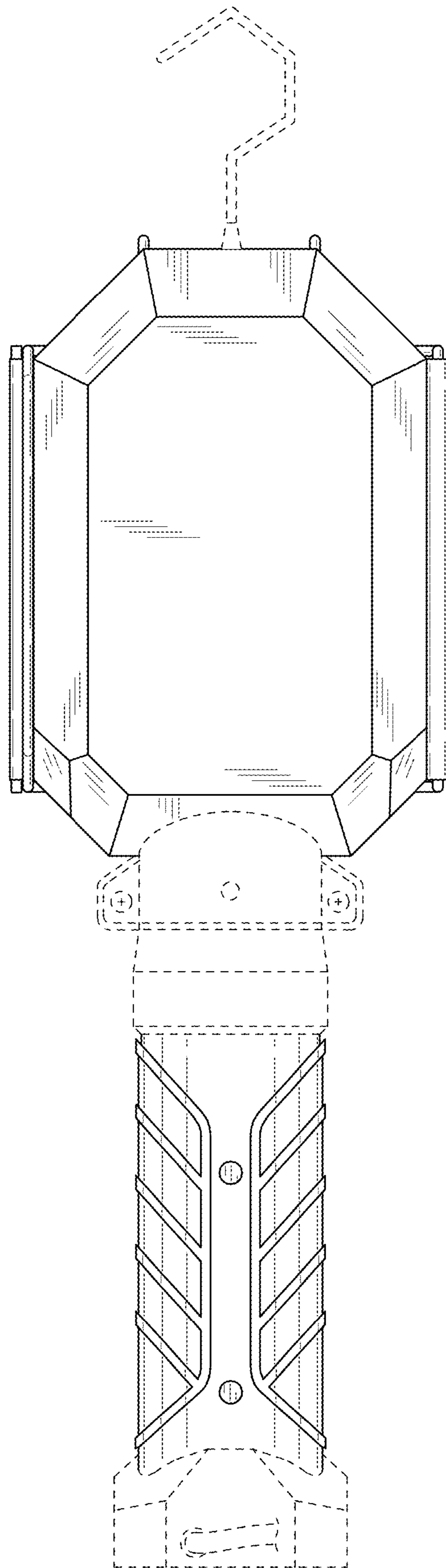


FIG. 4

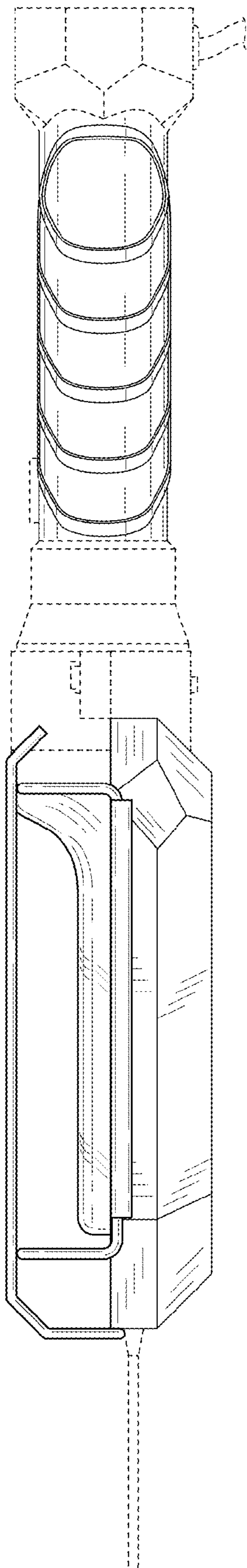


FIG. 5

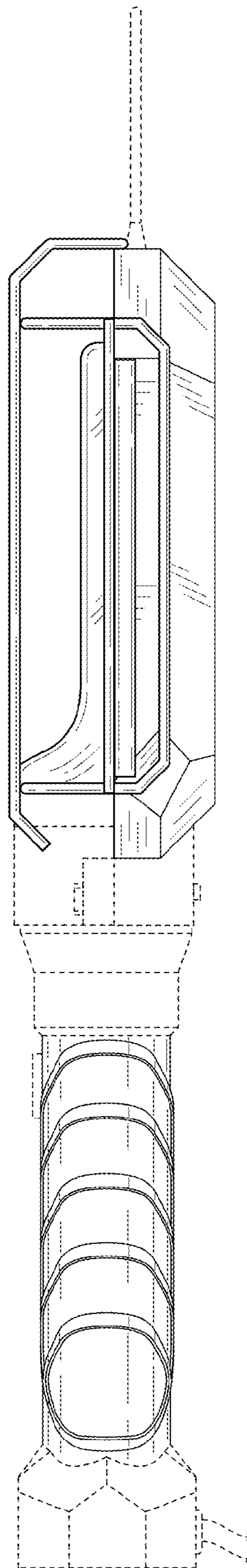


FIG. 6

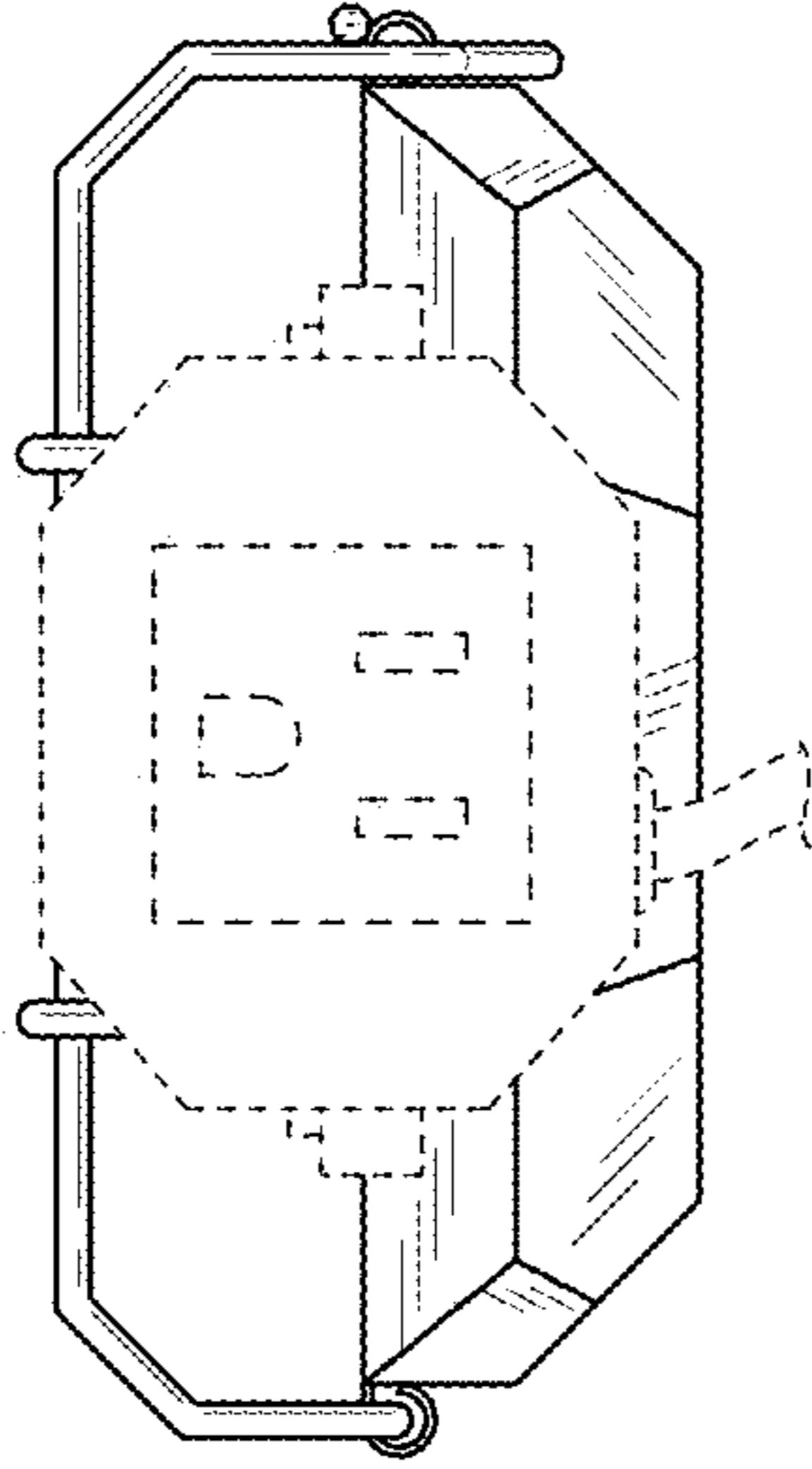


FIG. 8

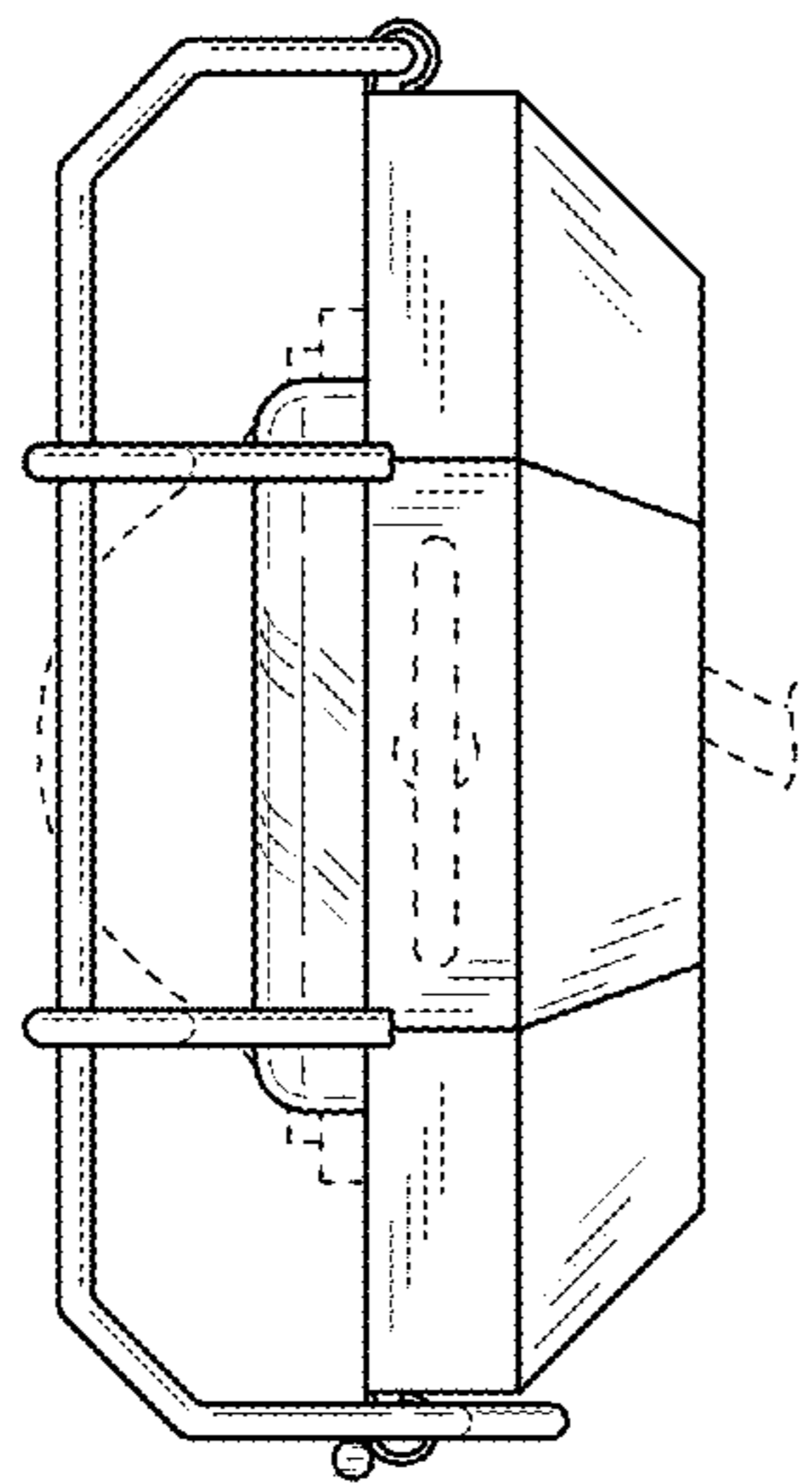


FIG. 7

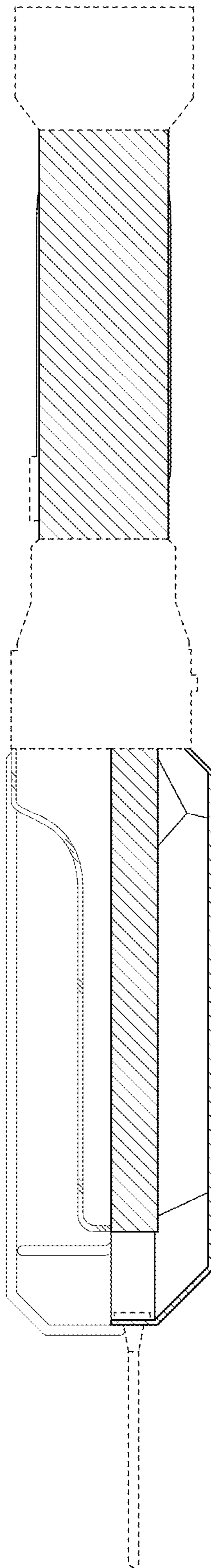


FIG. 9