



US00D883559S

(12) **United States Design Patent** (10) **Patent No.:** **US D883,559 S**
Wardenburg (45) **Date of Patent:** **** May 5, 2020**

(54) **LIGHT REFLECTOR**
(71) Applicant: **HYDROFARM, LLC**, Petaluma, CA (US)
(72) Inventor: **Peter Wardenburg**, Novato, CA (US)
(73) Assignee: **Hydrofarm, LLC**, Petaluma, CA (US)
(**) Term: **15 Years**
(21) Appl. No.: **29/641,761**
(22) Filed: **Mar. 23, 2018**
(51) **LOC (12) Cl.** **26-05**
(52) **U.S. Cl.**
USPC **D26/118**
(58) **Field of Classification Search**
USPC D26/72, 75, 76, 78, 85, 88, 89, 91, 118
CPC . A01G 9/20; A01G 9/24; A01G 9/241; A01G 9/26; F21V 29/00; F21V 29/02; F21V 29/50; F21V 29/505; F21V 29/83; F21V 7/0016; F21V 7/005; F21V 7/04; F21V 7/041; F21V 7/043; F21V 9/02; F21V 5/002; F21V 5/02; F21S 8/04; F21W 2131/40
See application file for complete search history.

D843,049 S * 3/2019 Stanley D26/118
D848,665 S * 5/2019 Stanley D26/118
D851,814 S * 6/2019 Stanley D26/118
D854,229 S * 7/2019 Stanley D26/118
D855,245 S * 7/2019 Channi D26/118
2009/0279303 A1* 11/2009 Keen A01G 9/26 362/285

FOREIGN PATENT DOCUMENTS

EM 003130475-0001 * 5/2016
ES D0523355-02 * 5/2016

OTHER PUBLICATIONS

Hydrofarm catalog <https://www.hydrofarm.com/catalog/category/grow-light-reflectors> Available Oct. 11, 2016 (Year: 2016).*

* cited by examiner

Primary Examiner — Leanne Was-Englehart
(74) *Attorney, Agent, or Firm* — Craig M. Stainbrook; Stainbrook & Stainbrook, LLP

(57) **CLAIM**

The ornamental design for a light reflector, as shown and described.

DESCRIPTION

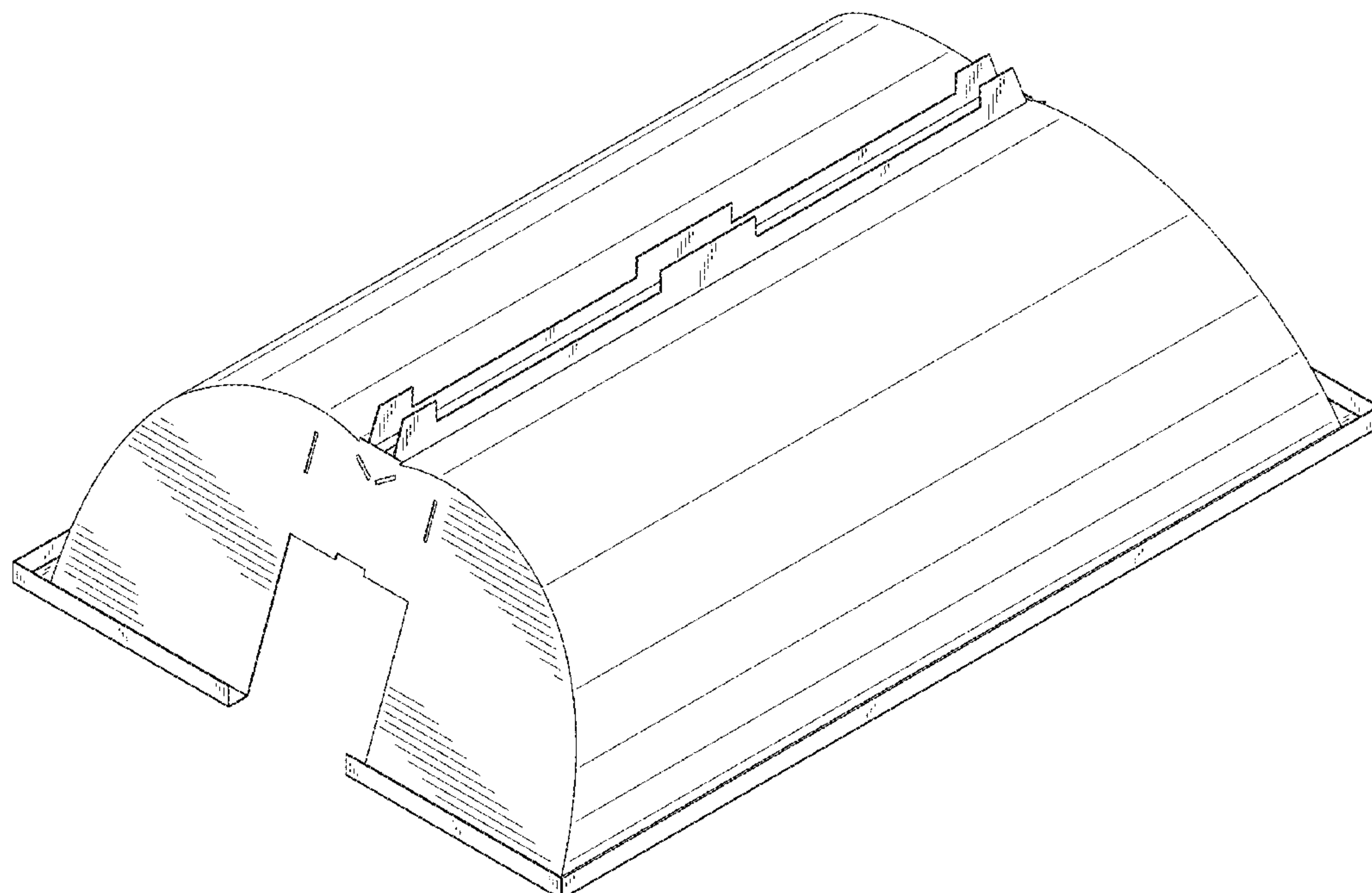
FIG. 1 is a lower perspective view;
FIG. 2 is an upper perspective view;
FIG. 3 is a side view in elevation, the opposing side being a mirror image thereof;
FIG. 4 is an end view in elevation, the opposing end being a mirror image thereof;
FIG. 5 is a bottom plan view; and,
FIG. 6 is a top plan view.

1 Claim, 5 Drawing Sheets

(56) **References Cited**

U.S. PATENT DOCUMENTS

D757,323 S * 5/2016 Reynolds D26/72
D762,320 S * 7/2016 Reynolds D26/72
D765,306 S * 8/2016 Wardenburg D26/118
D822,883 S * 7/2018 Stanley D26/118
D831,265 S * 10/2018 Stanley D26/118
D837,442 S * 1/2019 Reynolds D26/118
D838,033 S * 1/2019 Xiong D26/118



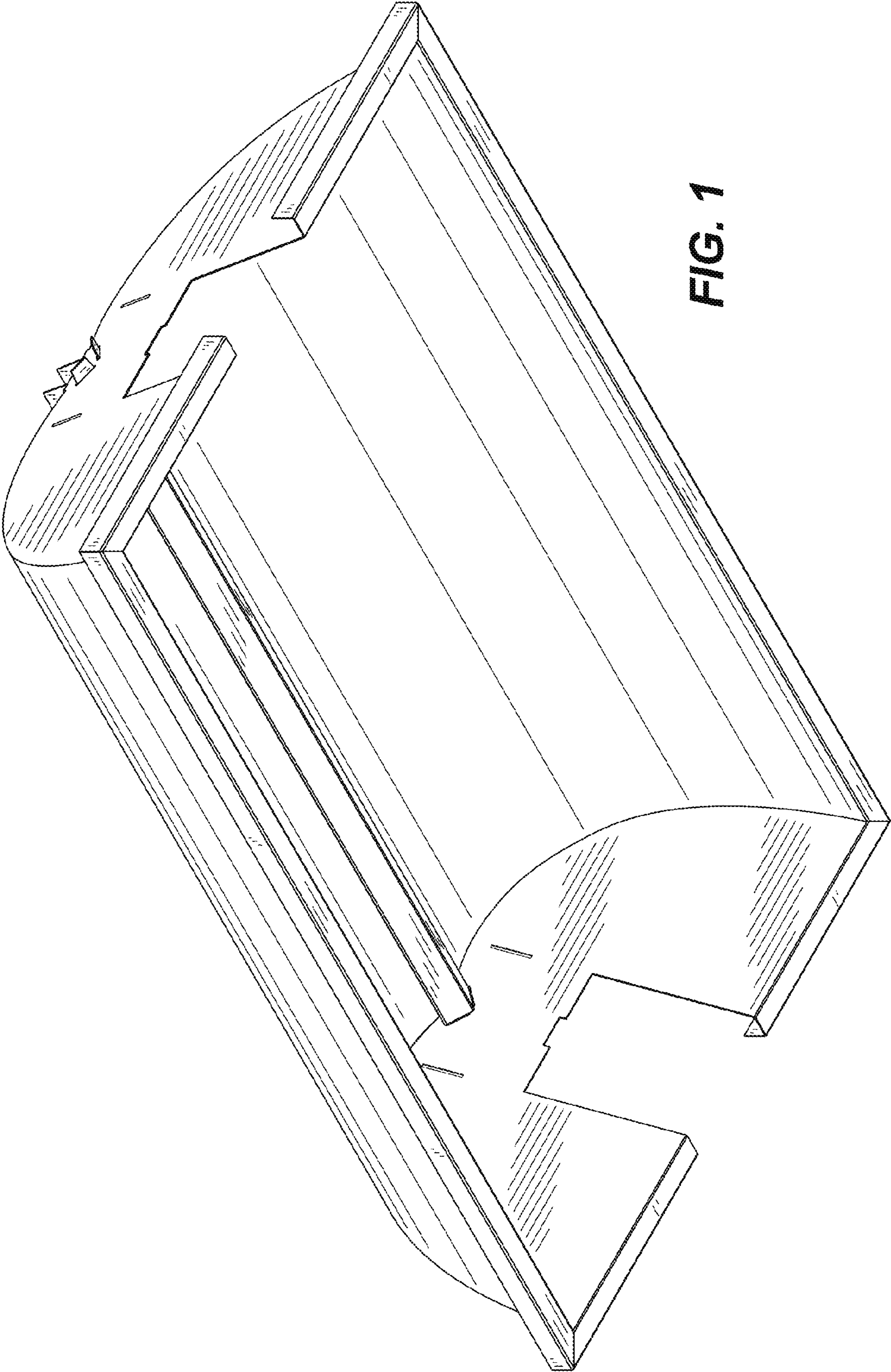


FIG. 1

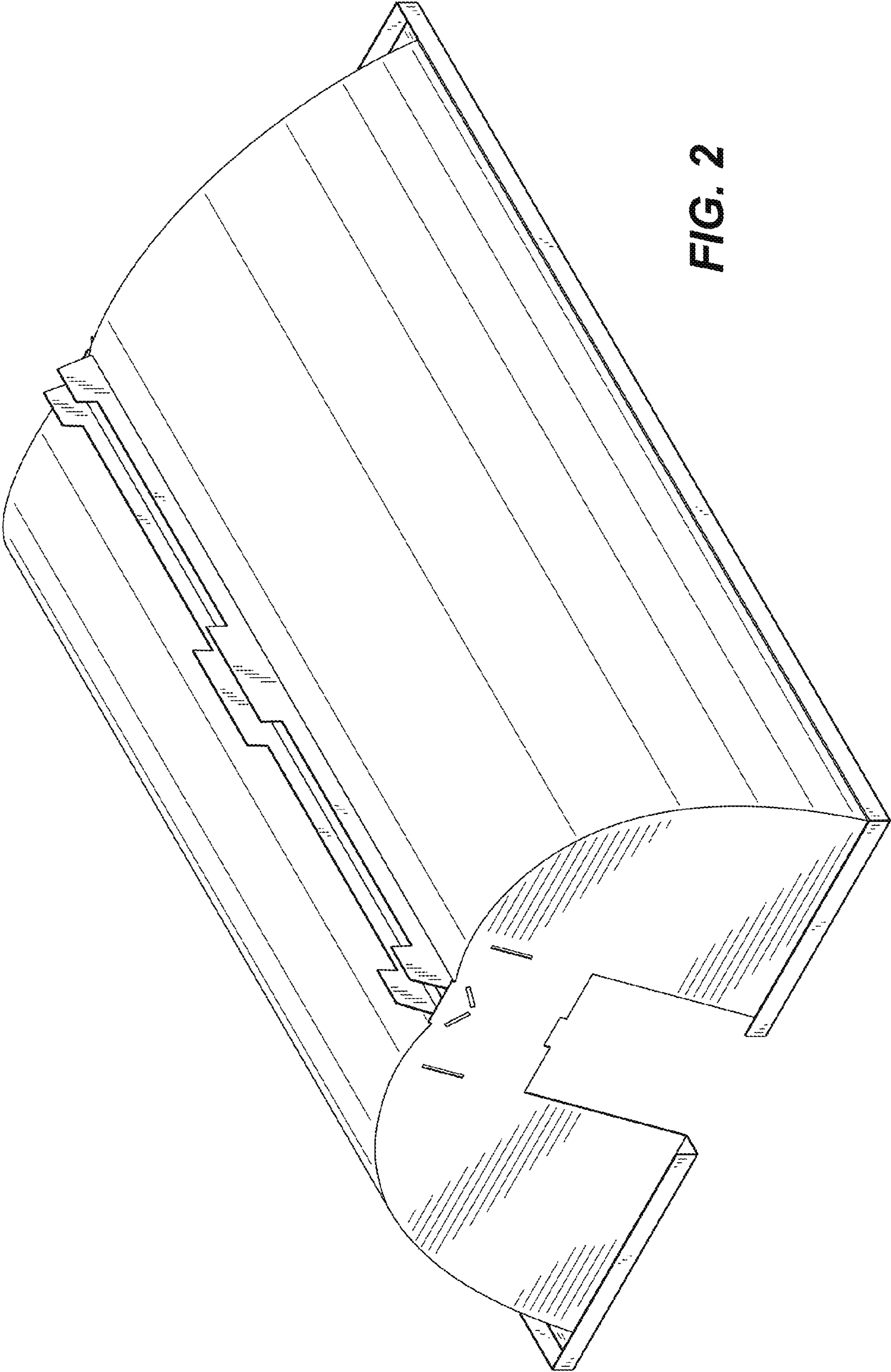


FIG. 2

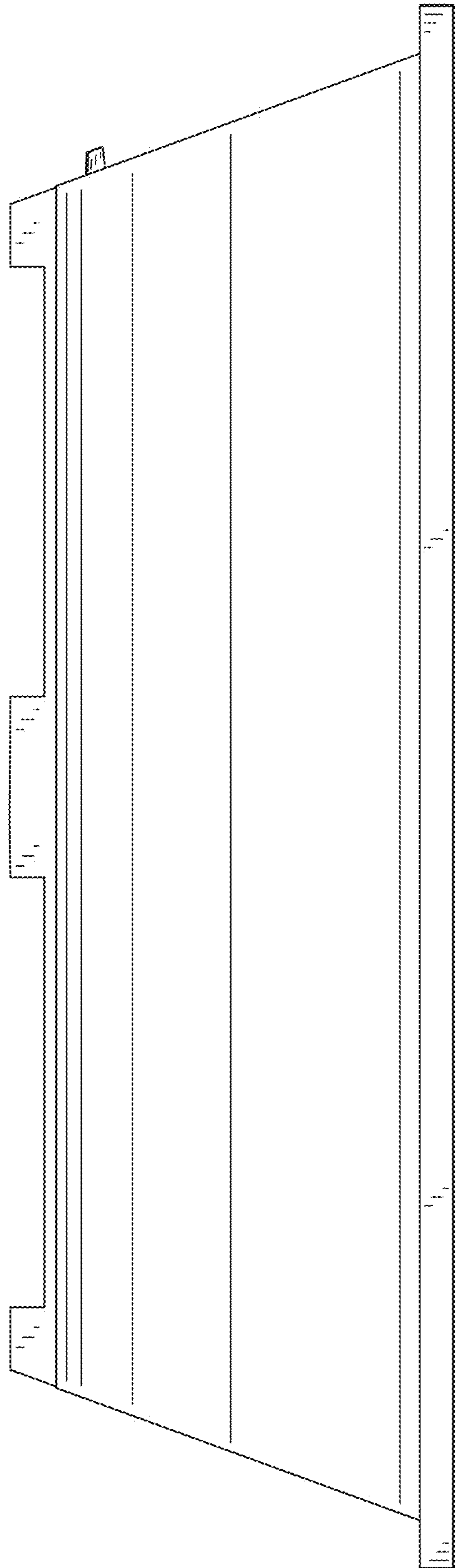


FIG. 3

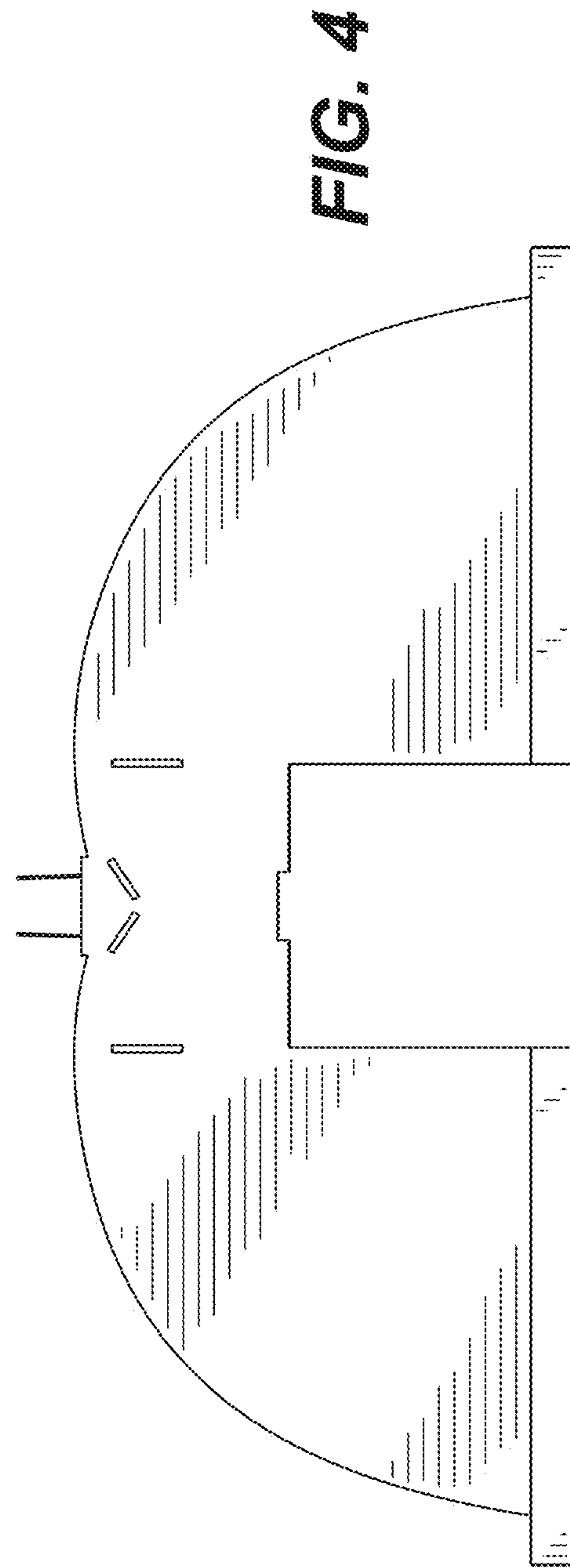


FIG. 4

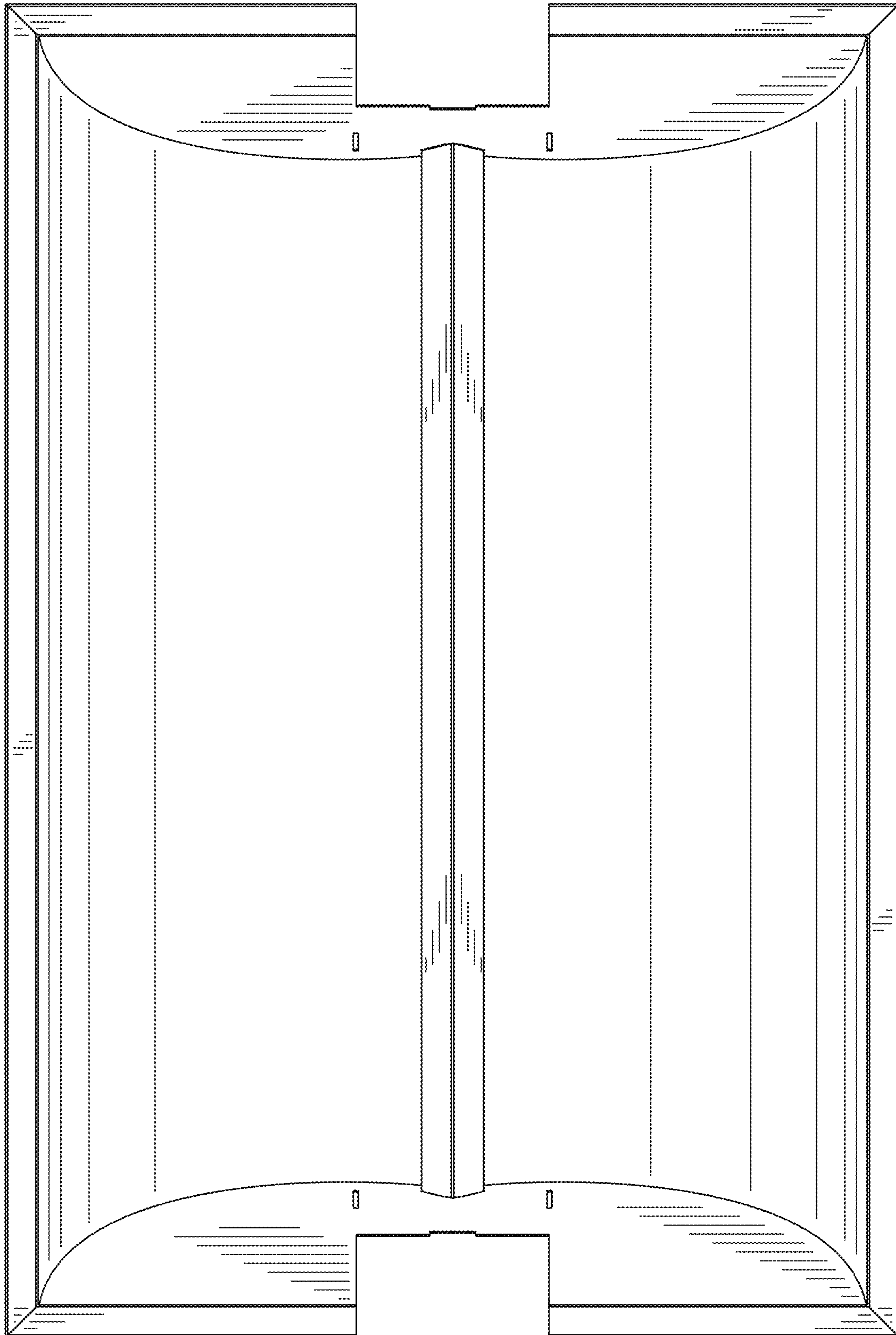


FIG. 5

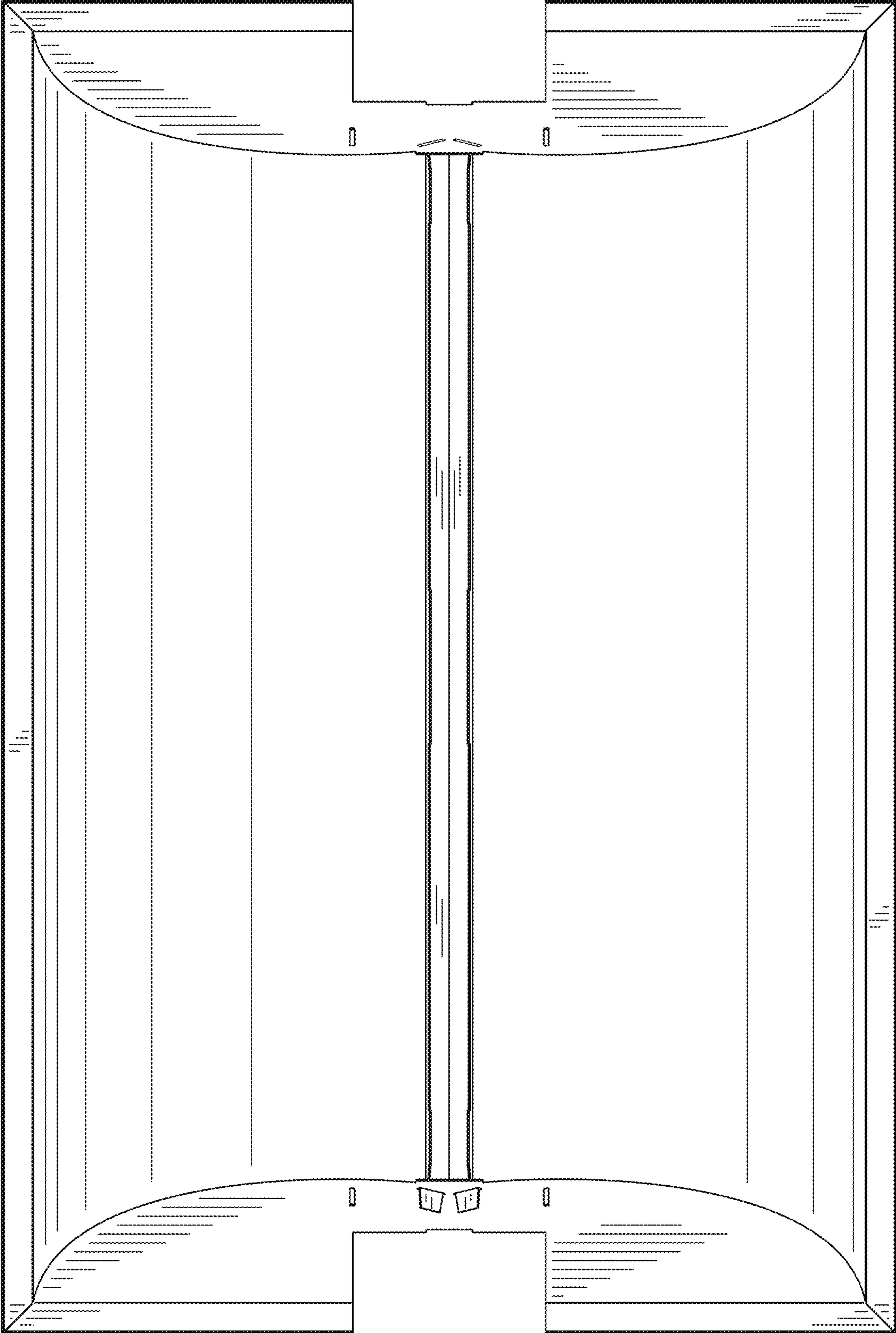


FIG. 6