



US00D883556S

(12) **United States Design Patent**  
**Carpenter**

(10) **Patent No.:** **US D883,556 S**

(45) **Date of Patent:** **\*\* \*May 5, 2020**

(54) **MOTORCYCLE TANK LAMP**

(56) **References Cited**

(71) Applicant: **Arlis Carpenter**, Berryville, AR (US)

U.S. PATENT DOCUMENTS

(72) Inventor: **Arlis Carpenter**, Berryville, AR (US)

D561,379 S \* 2/2008 Levy ..... D26/97  
D802,485 S \* 11/2017 Mikami ..... D12/110

(73) Assignee: **Arlis Carpenter**, Berryville, AR (US)

\* cited by examiner

(\* ) Notice: This patent is subject to a terminal disclaimer.

*Primary Examiner* — Brian N. Vinson

(\*\*) Term: **15 Years**

(57) **CLAIM**

The ornamental design for a motorcycle tank lamp, as shown and described.

(21) Appl. No.: **29/627,283**

**DESCRIPTION**

(22) Filed: **Nov. 25, 2017**

(51) **LOC (12) Cl.** ..... **26-03**

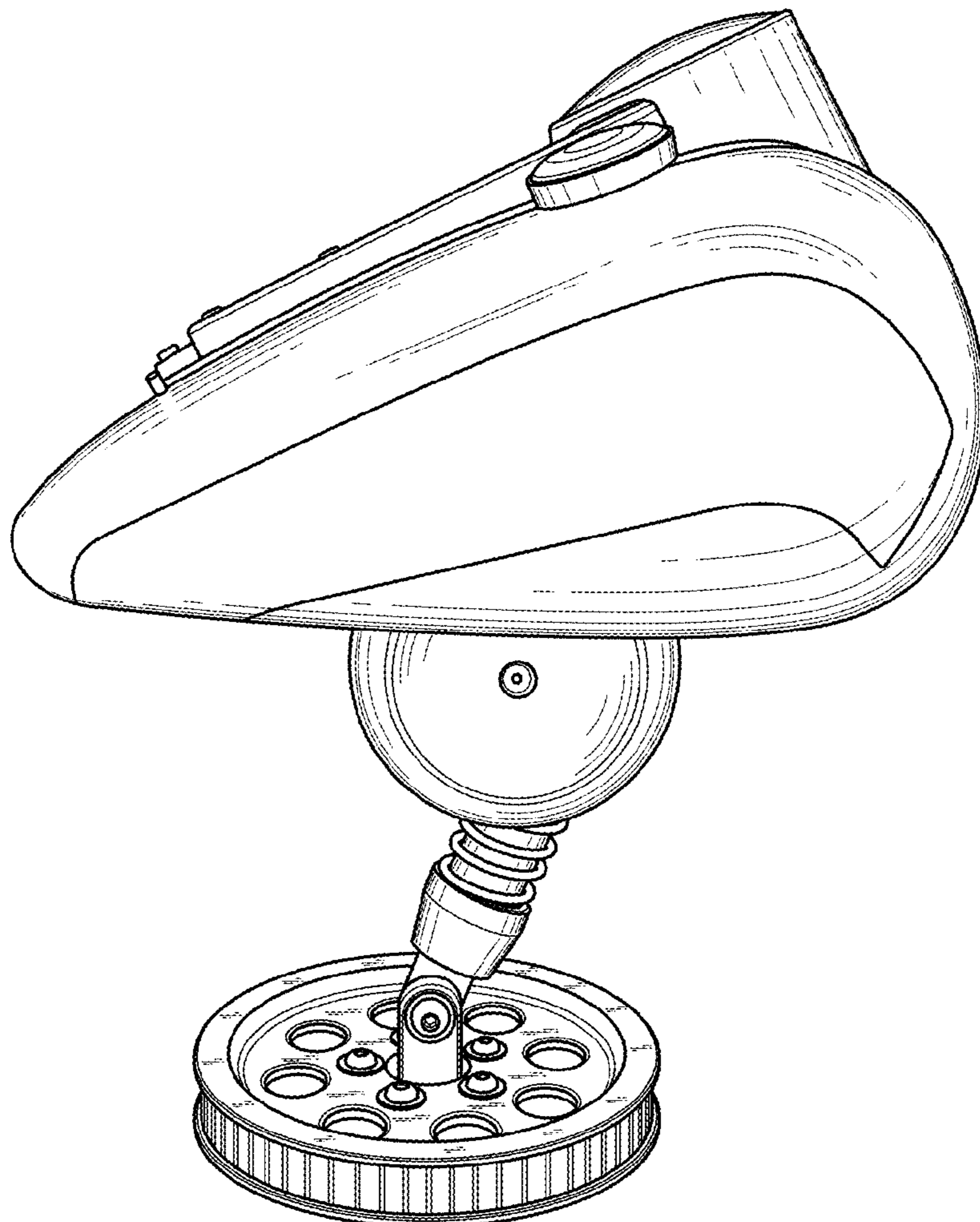
(52) **U.S. Cl.**  
USPC ..... **D26/97**

(58) **Field of Classification Search**  
USPC ..... D26/24, 73, 94, 97; D12/110, 115, 400  
CPC .... F21L 4/00; F21S 9/02; F21S 48/145; F21S  
6/00; F21S 4/005; F21V 21/30

FIG. 1 is a perspective view of a motorcycle tank lamp showing my new design;  
FIG. 2 is a left side elevational view thereof;  
FIG. 3 is a right side elevational view thereof;  
FIG. 4 is a front elevational view thereof;  
FIG. 5 is a rear elevational view thereof;  
FIG. 6 is a top plan view thereof; and,  
FIG. 7 is a bottom plan view thereof.

See application file for complete search history.

**1 Claim, 7 Drawing Sheets**



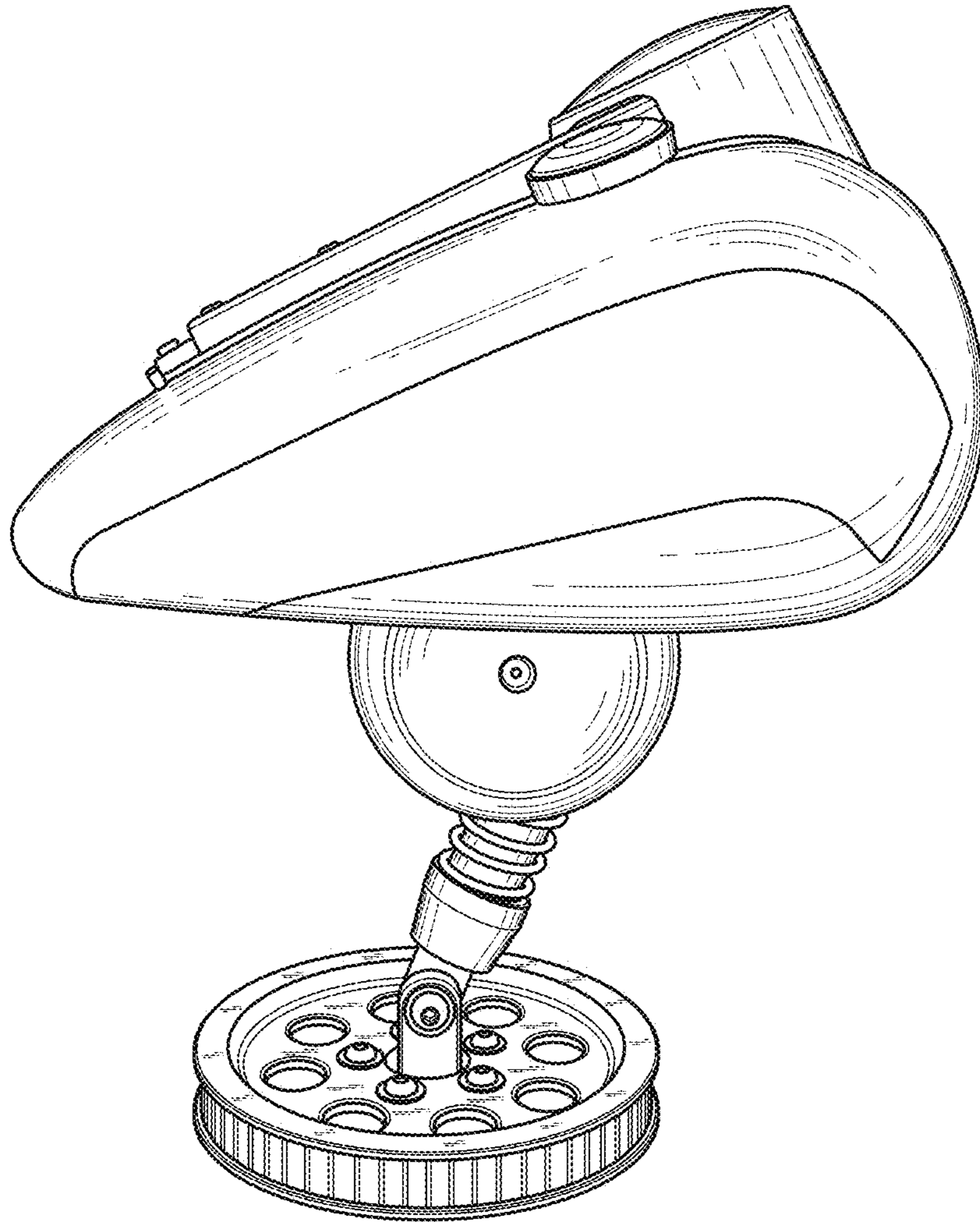


Fig. 1

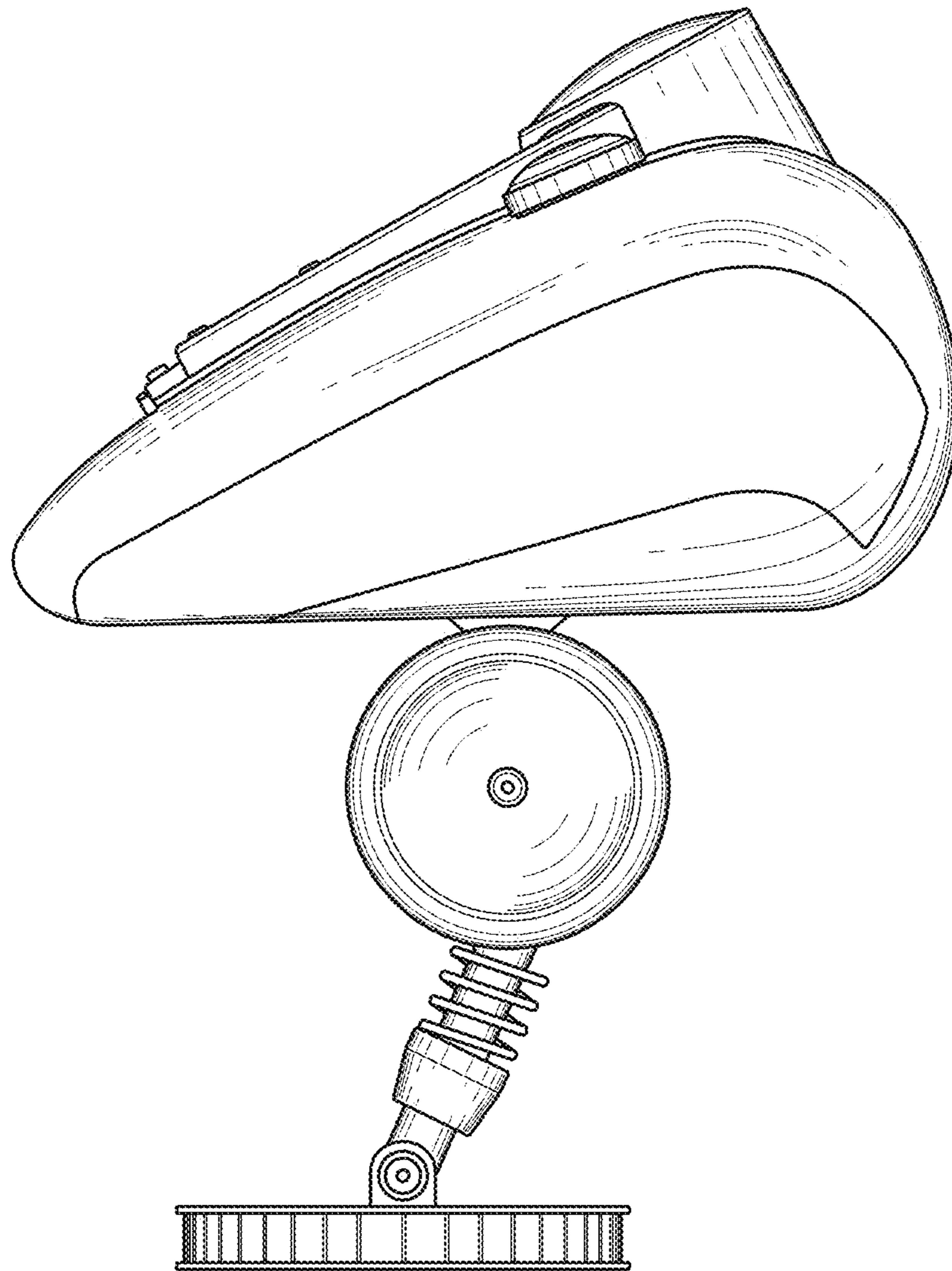


Fig. 2

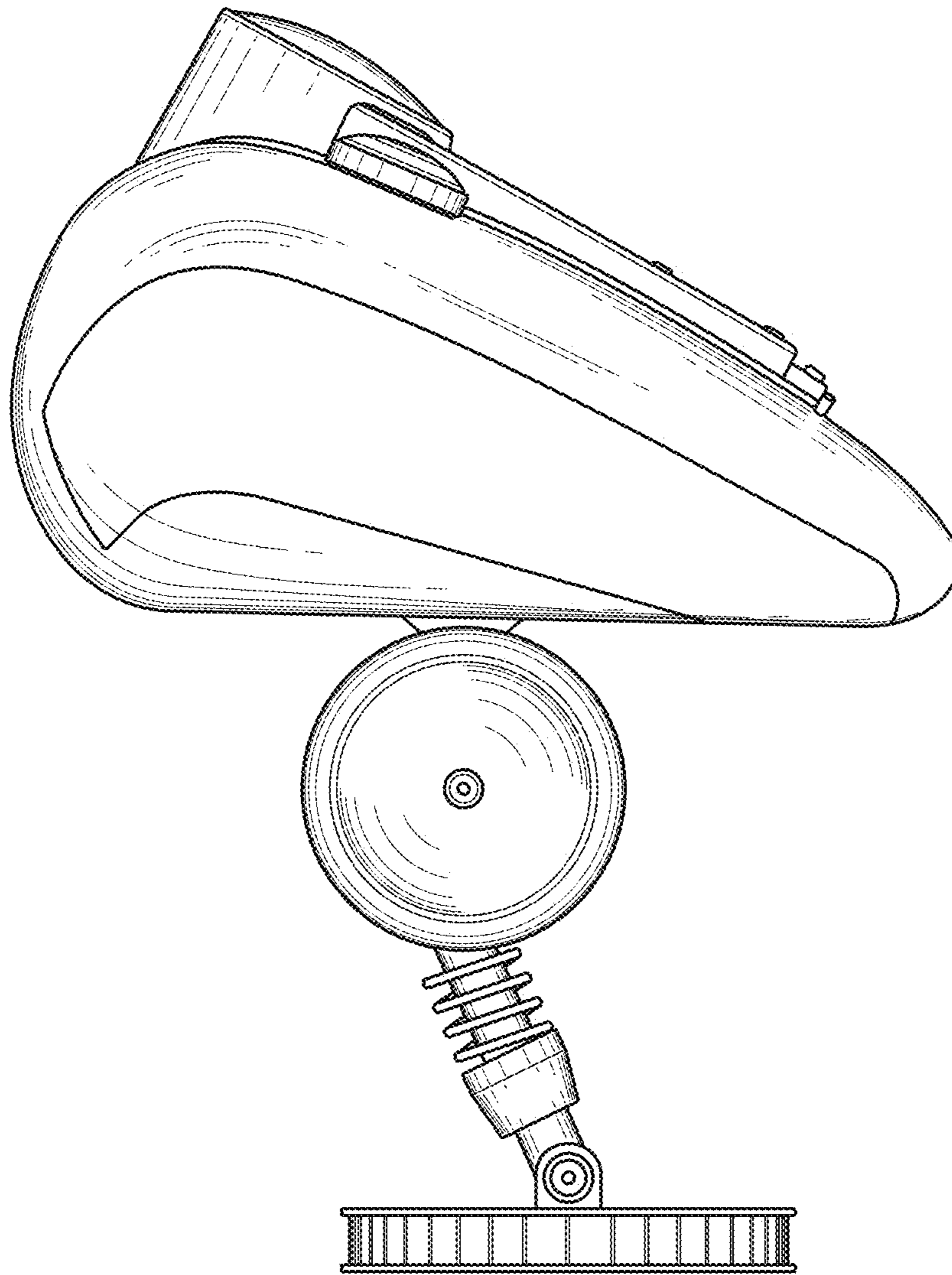


Fig. 3

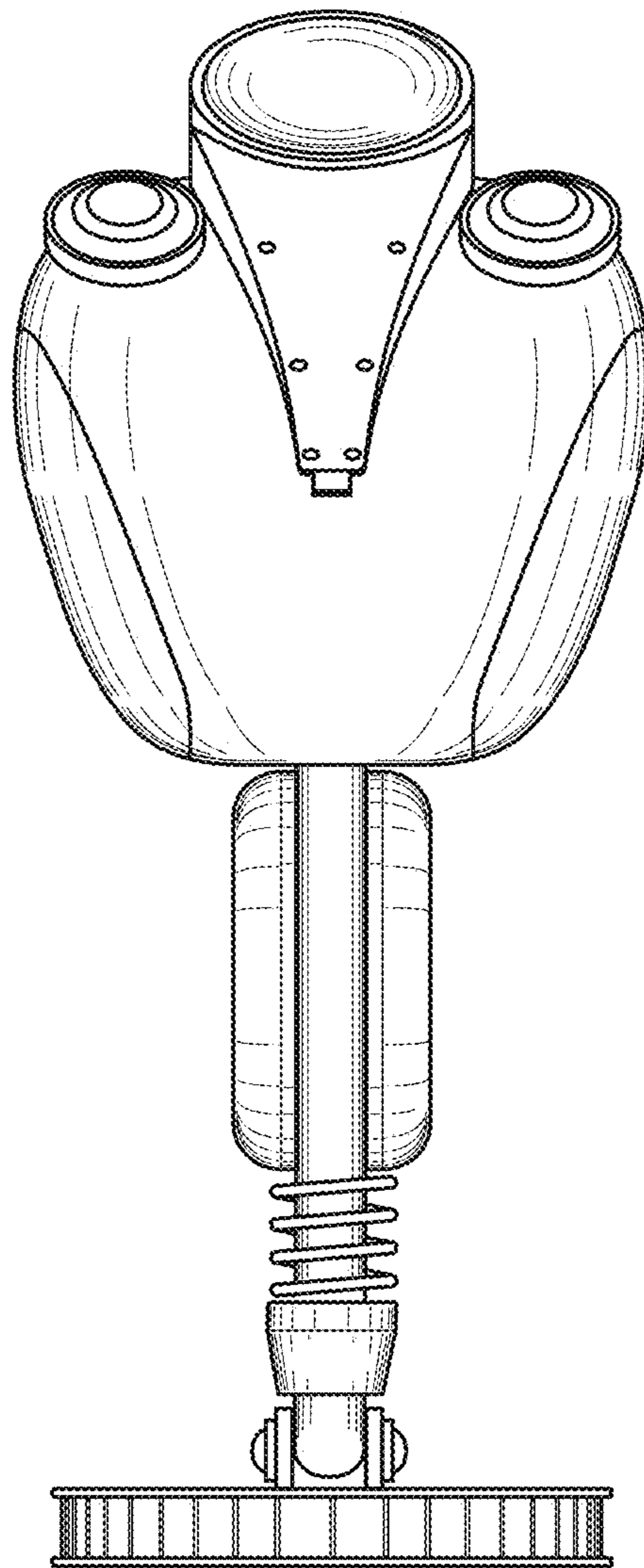


Fig. 4

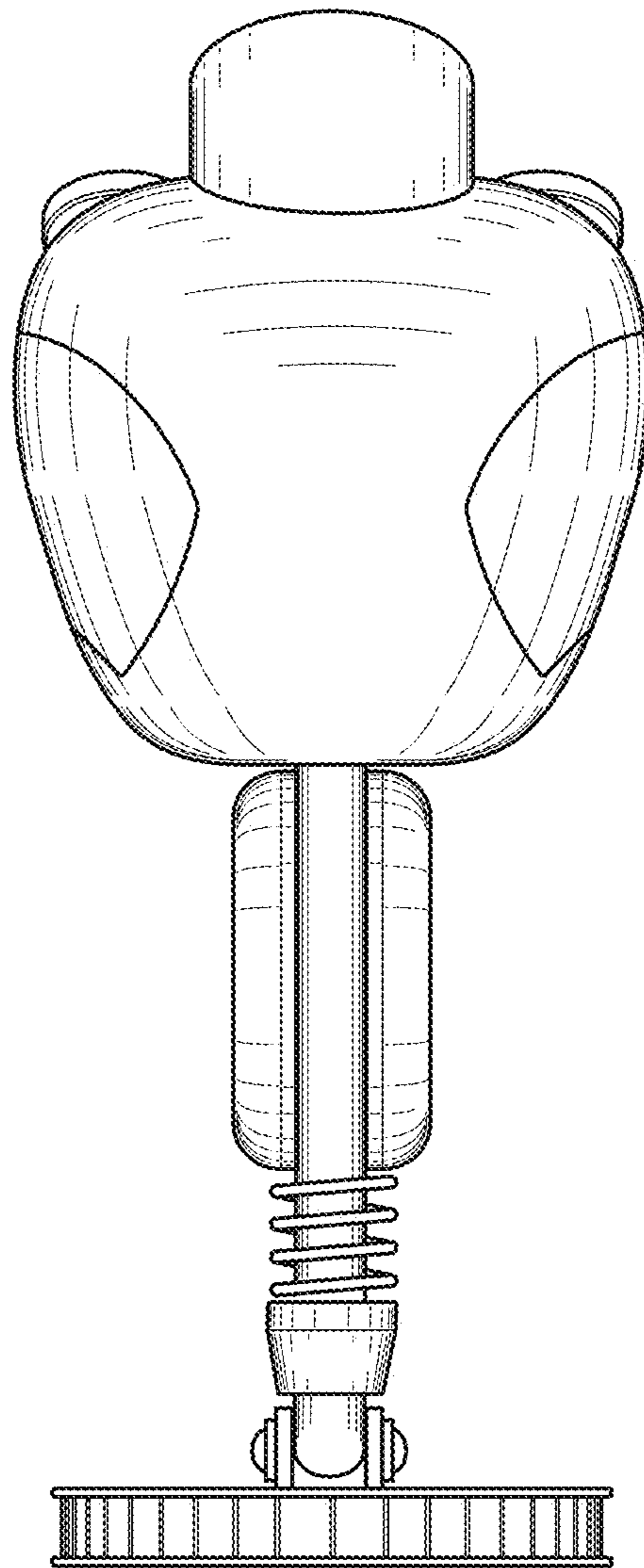


Fig. 5

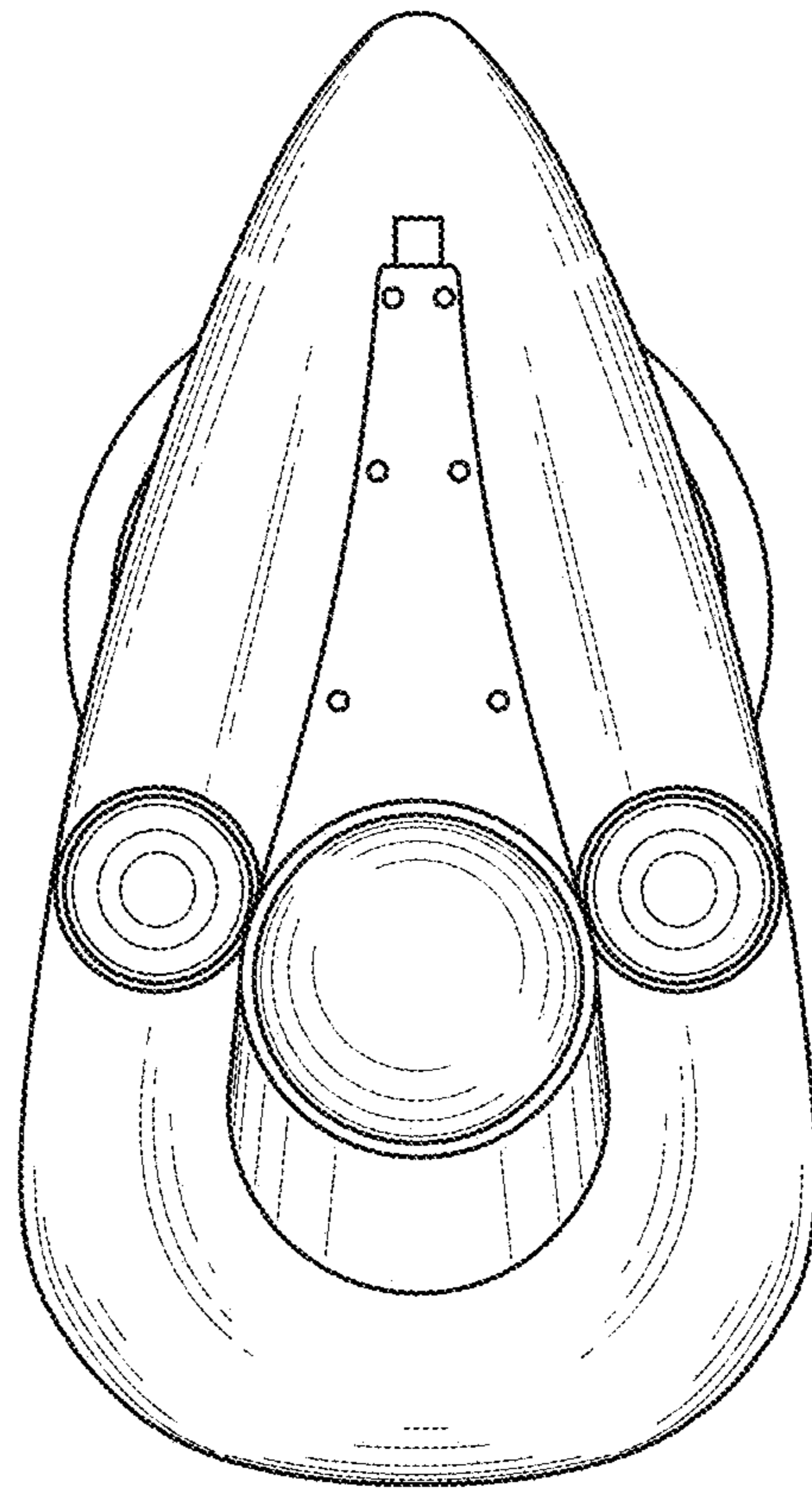


Fig. 6

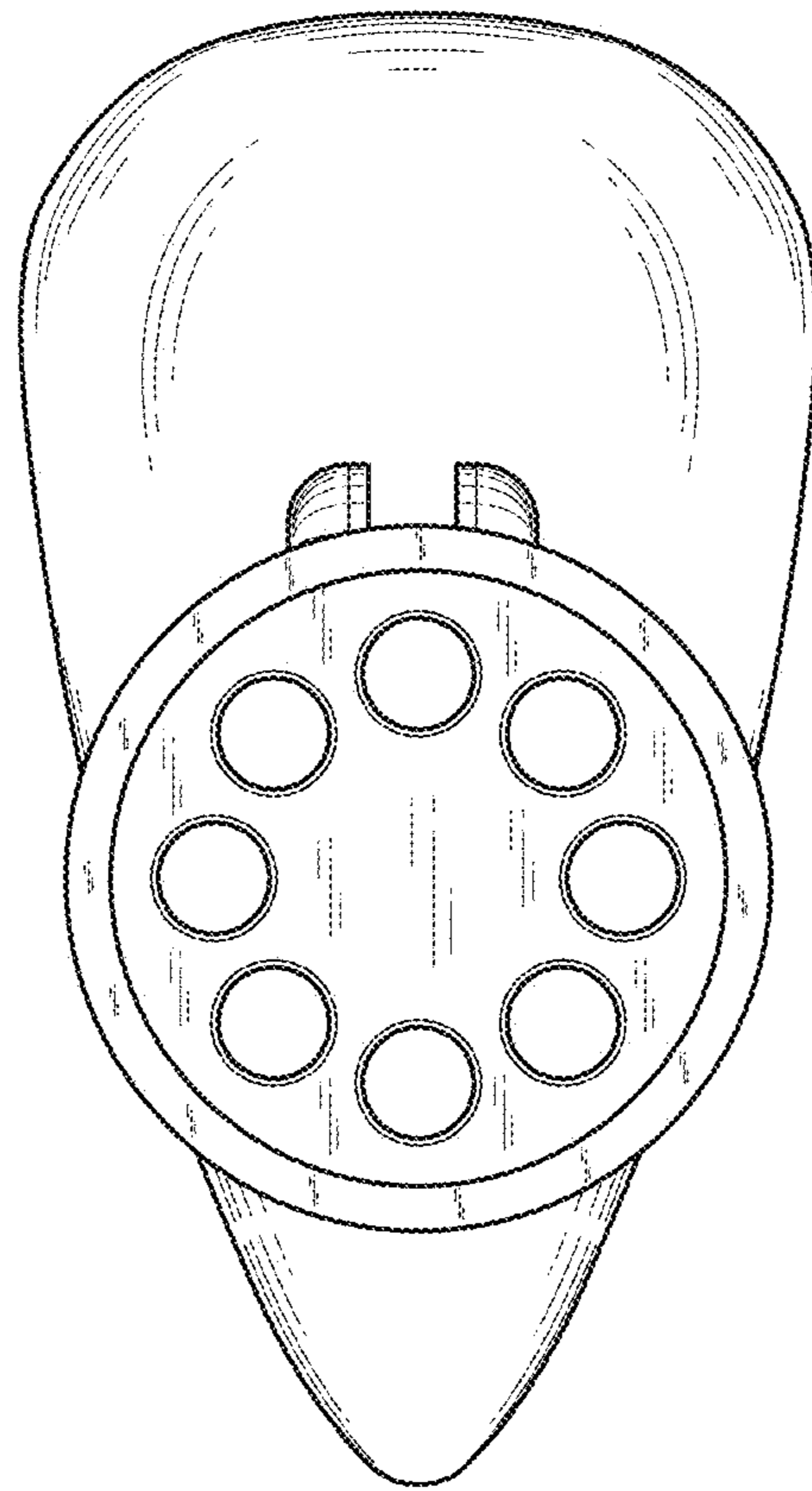


Fig. 7