



US00D883555S

(12) **United States Design Patent**
Jordan

(10) **Patent No.:** **US D883,555 S**

(45) **Date of Patent:** **** May 5, 2020**

(54) **CHANDELIER HAVING SELECTIVELY
MOTORIZED ORNAMENTS**

(71) Applicant: **Louis Cecil Jordan**, Miramar, FL (US)

(72) Inventor: **Louis Cecil Jordan**, Miramar, FL (US)

(**) Term: **15 Years**

(21) Appl. No.: **29/672,120**

(22) Filed: **Dec. 3, 2018**

(51) **LOC (12) Cl.** **26-04**

(52) **U.S. Cl.**
USPC **D26/76; D26/81**

(58) **Field of Classification Search**
USPC D26/72, 74, 76, 78–83, 85, 86, 88, 90,
D26/93, 111, 113, 118, 119, 120, 121,
D26/122, 138, 139, 140, 141, 142, 152
CPC F21S 2/00; F21S 4/00; F21S 4/003; F21S
4/005; F21S 4/006; F21S 4/007; F21S
4/008; F21S 6/00; F21S 8/00; F21S
8/024; F21S 8/026; F21S 8/031; F21S
8/033; F21S 8/035–037; F21S 8/04; F21S
8/043; F21S 8/063
See application file for complete search history.

(56) **References Cited**

U.S. PATENT DOCUMENTS

D301,278 S *	5/1989	Hughes	D26/78
D447,266 S *	8/2001	Verfuerrth	D26/76
D592,787 S *	5/2009	Chandler	D26/81
D638,567 S *	5/2011	Bobel	D26/79
D743,610 S *	11/2015	Inzinger	D26/77
D761,477 S *	7/2016	Guercio	D26/76
D786,475 S *	5/2017	Hargreaves	D26/76

D787,107 S *	5/2017	Burmeister	D26/76
D797,351 S *	9/2017	Stanley	D26/118
D816,258 S *	4/2018	Zhu	D26/76
D819,864 S *	6/2018	Deng	D26/76
D821,024 S *	6/2018	Tomlinson	D26/138
D837,442 S *	1/2019	Reynolds	D26/118
D845,516 S *	4/2019	Yuan	D25/121
D855,238 S *	7/2019	Stanley	D26/76
D863,523 S *	10/2019	Hirsch	D23/351
D863,646 S *	10/2019	Tremaine	D26/76
D869,078 S *	12/2019	Trzcieliski	D26/138

* cited by examiner

Primary Examiner — Natasha Vujcic

(74) *Attorney, Agent, or Firm* — John Rizvi; John Rizvi,
P.A.

(57) **CLAIM**

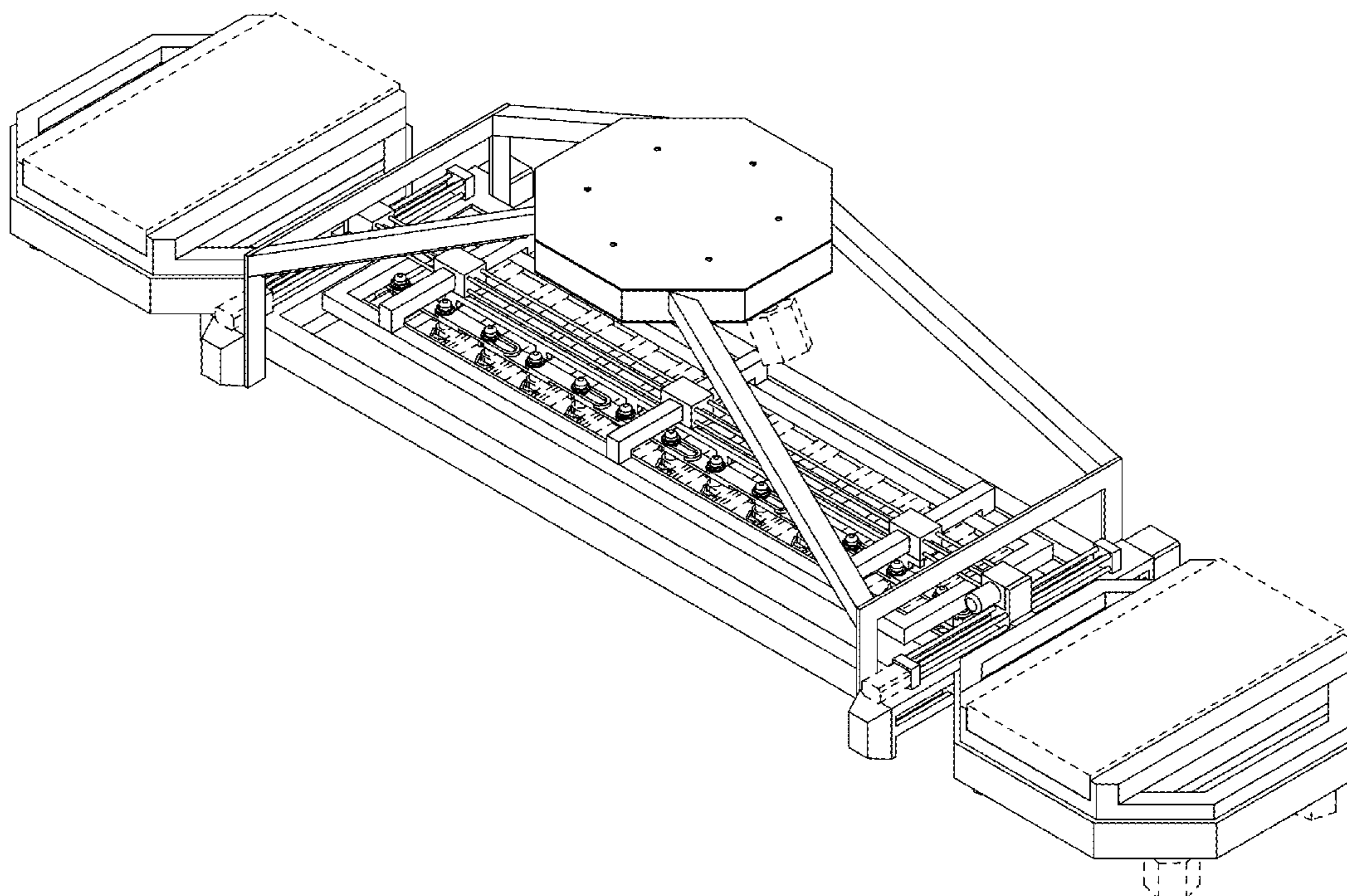
I claim the ornamental design for a chandelier having selectively motorized ornaments, as shown and described.

DESCRIPTION

FIG. 1 is a front top isometric view of a chandelier having selectively motorized ornaments showing my new design; FIG. 2 is a front bottom isometric view thereof; FIG. 3 is a front elevation view thereof; FIG. 4 is a rear elevation view thereof; FIG. 5 is a top plan view thereof; FIG. 6 is a bottom plan view thereof; FIG. 7 is a left elevation view thereof; and, FIG. 8 is a right elevation view thereof.

The portion of the chandelier having selectively motorized ornaments depicted in the figures in broken lines forms no part of the claimed design.

1 Claim, 7 Drawing Sheets



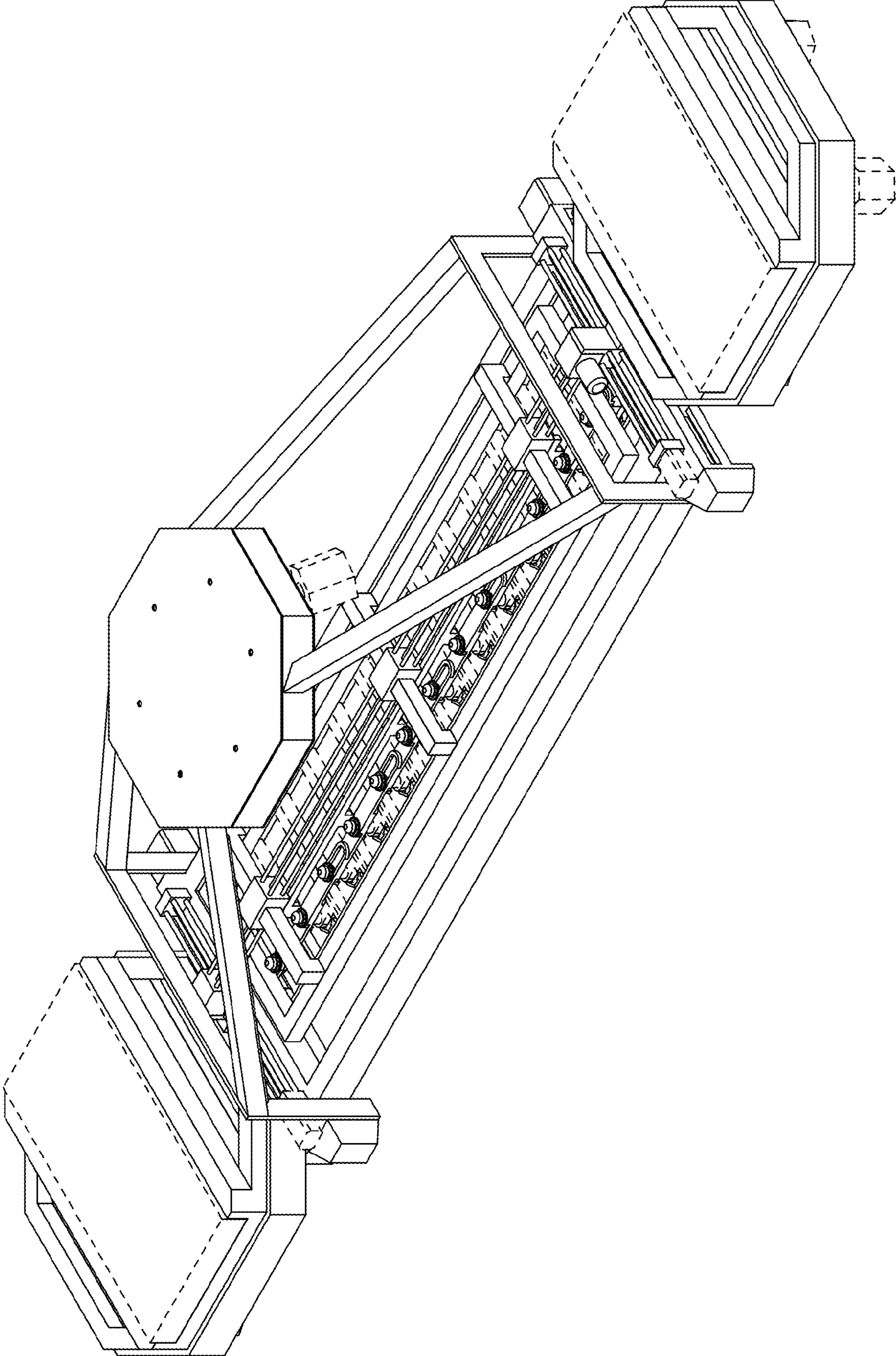


FIG. 1

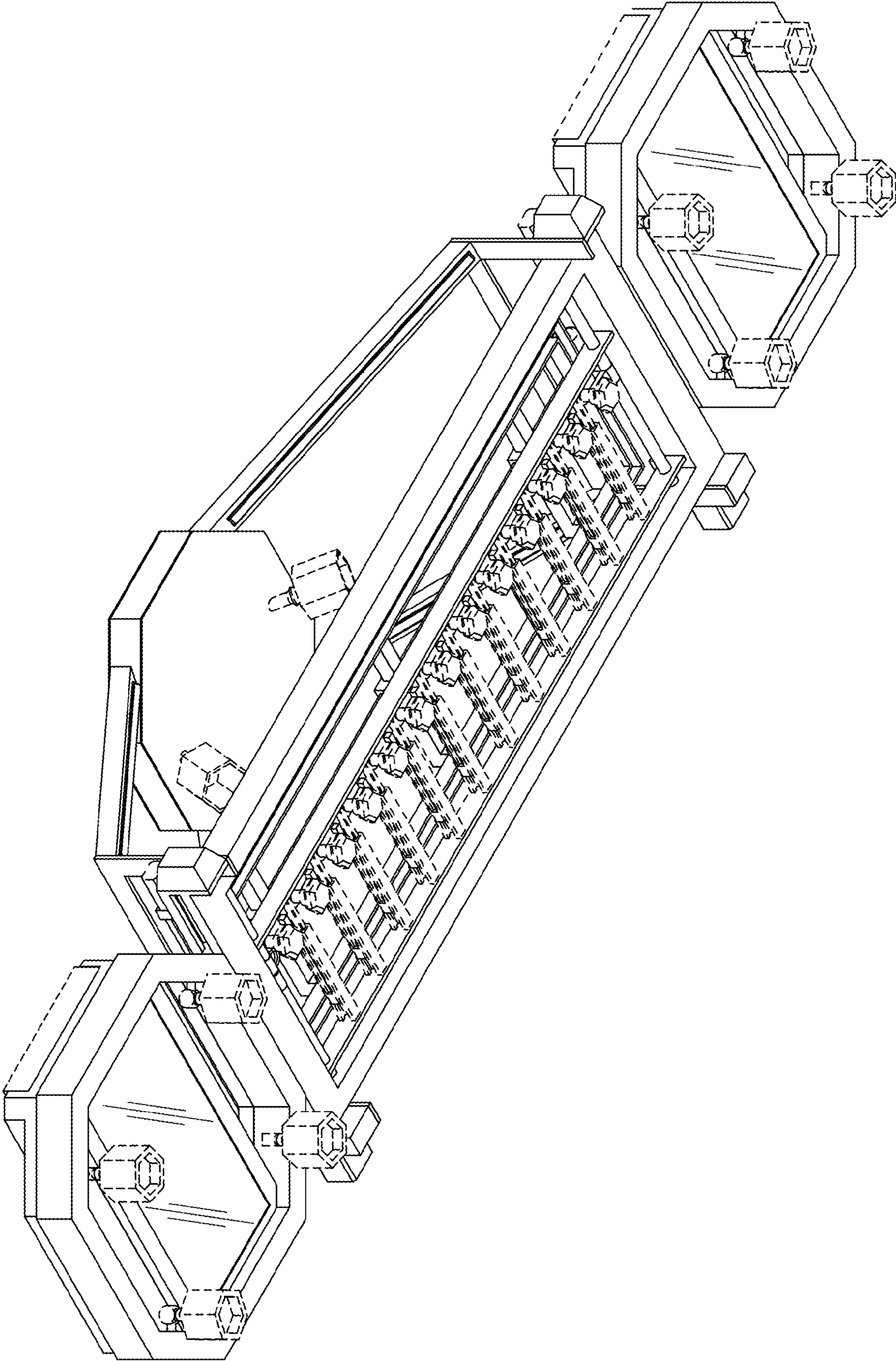


FIG. 2

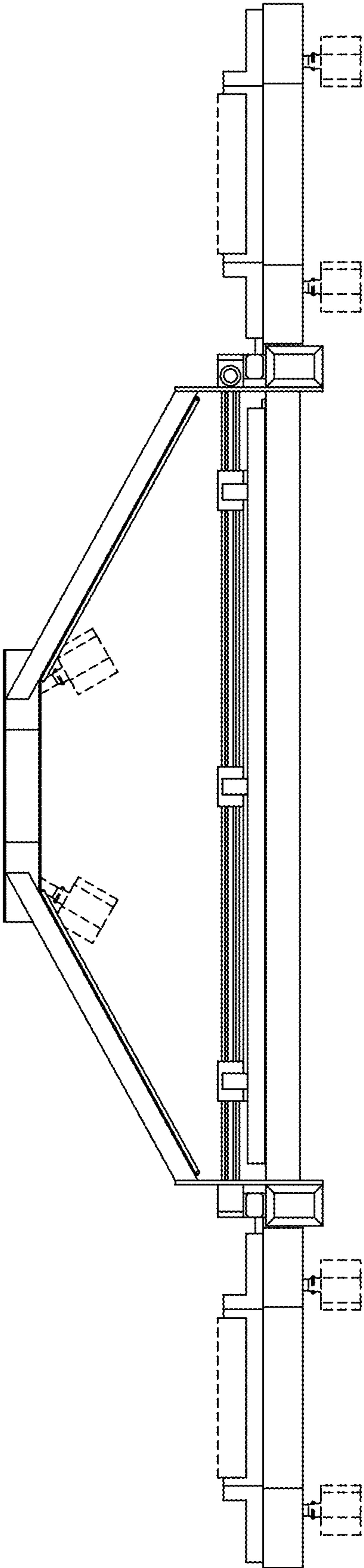


FIG. 3

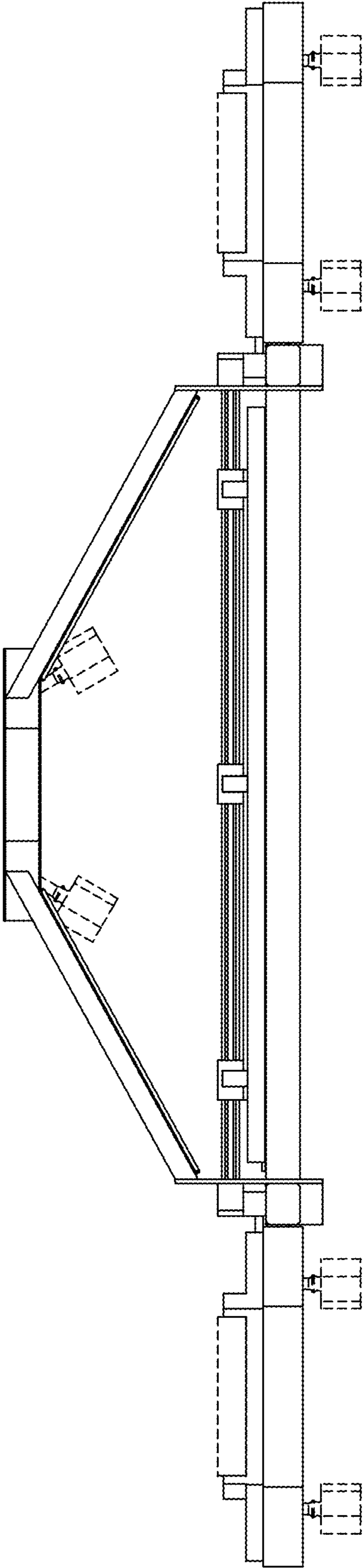


FIG. 4

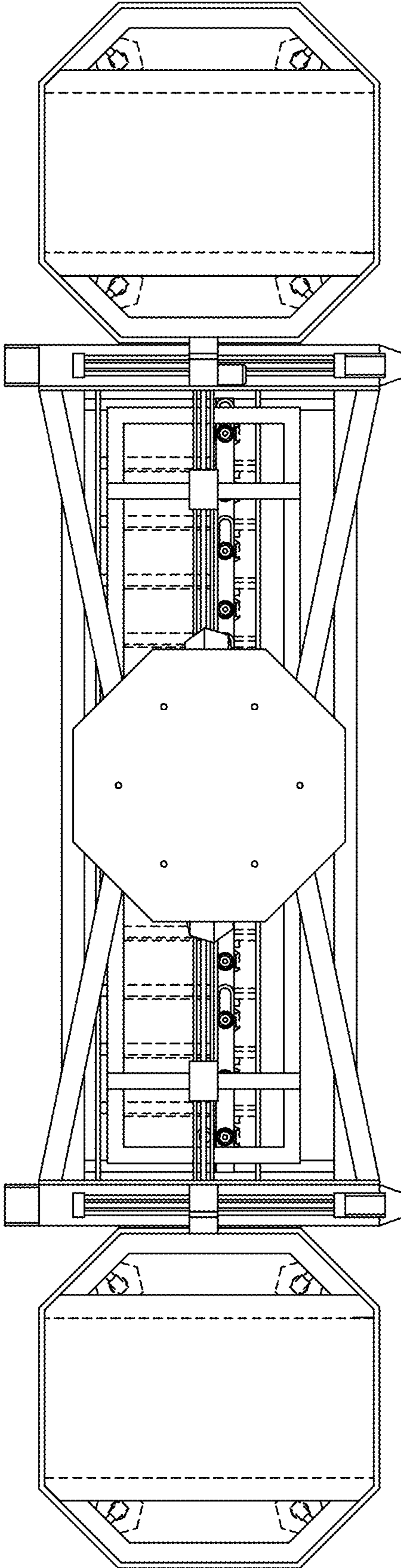


FIG. 5

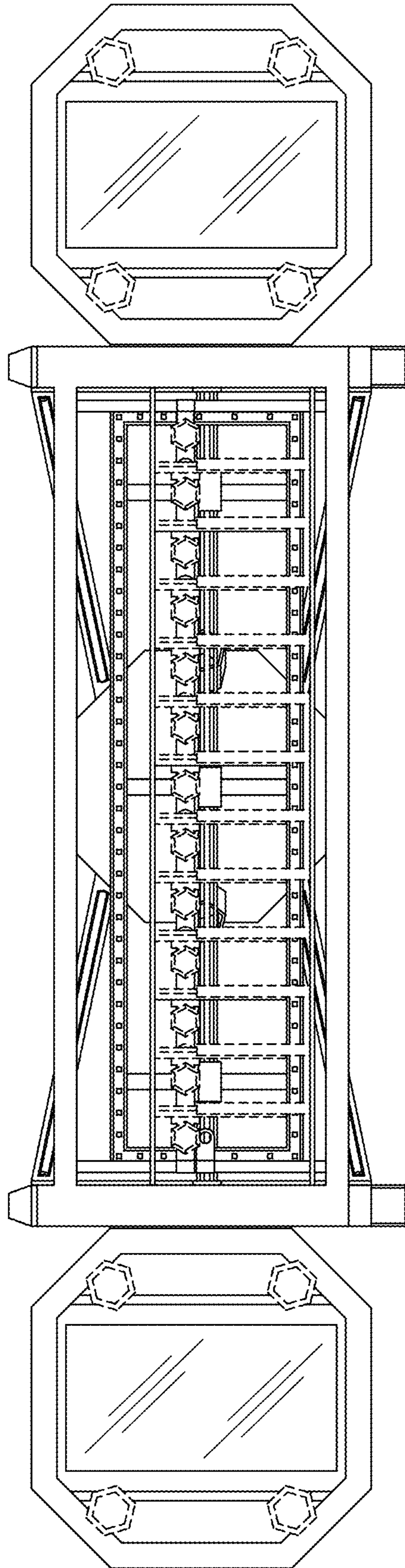


FIG. 6

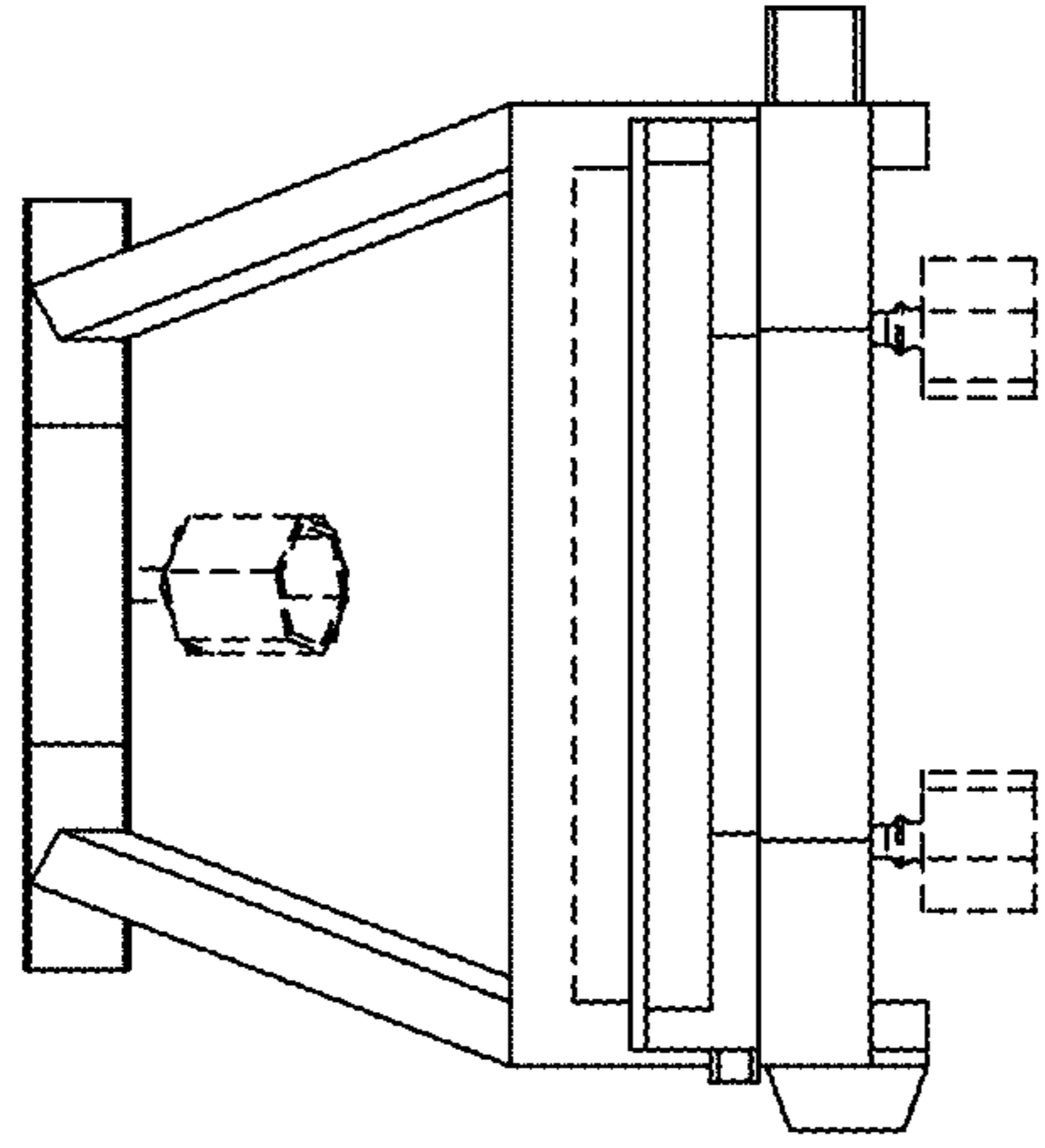


FIG. 8

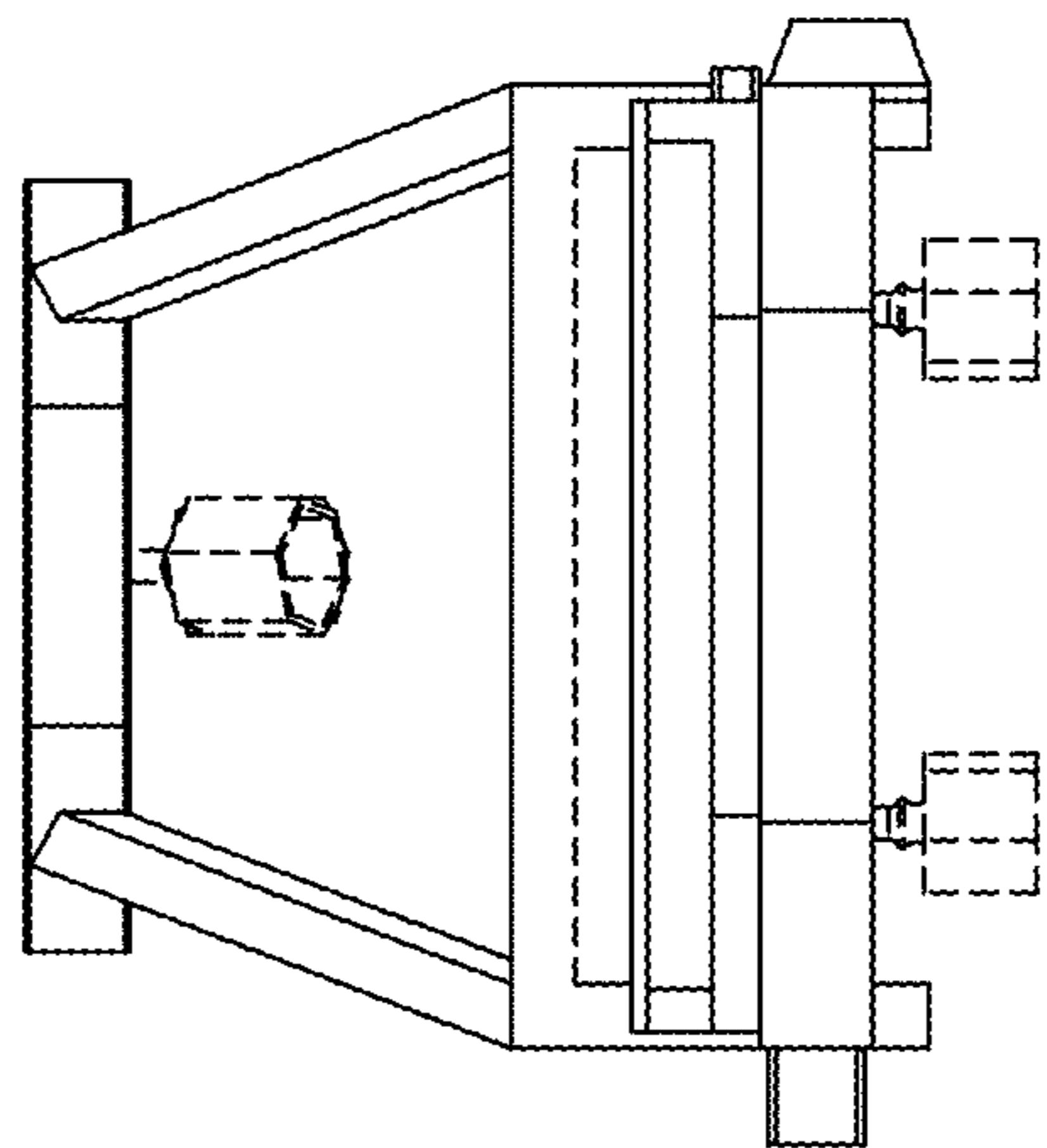


FIG. 7