



US00D883551S

(12) **United States Design Patent** (10) **Patent No.:** **US D883,551 S**  
**Waldmann** (45) **Date of Patent:** **\*\* \*May 5, 2020**

(54) **LAMP**  
(71) Applicant: **HERBERT WALDMANN GMBH & CO. KG**, Villingen-Schwenningen (DE)  
(72) Inventor: **Gerhard Waldmann**, Stein am Rhein (CH)  
(73) Assignee: **HERBERT WALDMANN GMBH & CO. KG**, Villingen-Schwenningen (DE)  
(\* ) Notice: This patent is subject to a terminal disclaimer.  
(\*\*) Term: **15 Years**  
(21) Appl. No.: **35/504,388**  
(22) Filed: **Aug. 2, 2017**

D208,324 S \* 8/1967 Araki ..... D26/65  
D264,634 S \* 5/1982 Okuno ..... D26/65  
D326,335 S \* 5/1992 Meyer ..... D26/65  
D331,985 S \* 12/1992 Schaffer ..... D26/140  
D345,027 S \* 3/1994 Huang ..... D26/65  
D351,678 S \* 10/1994 Chen ..... D26/65  
D369,876 S \* 5/1996 Muellenmeister ..... D26/63  
D379,544 S \* 5/1997 Yumita ..... D26/65  
D486,938 S \* 2/2004 Waldmann ..... D26/60  
D499,828 S \* 12/2004 Martin ..... D26/65  
D522,681 S \* 6/2006 Chen ..... D26/107  
D528,691 S \* 9/2006 Waldmann ..... D26/60  
D555,274 S \* 11/2007 Iai ..... D26/63  
D597,240 S \* 7/2009 Hodgson ..... D26/65  
D617,933 S \* 6/2010 Ng ..... D26/65  
D623,332 S \* 9/2010 Huang ..... D26/65  
D663,062 S \* 7/2012 Ng ..... D26/65  
D690,047 S \* 9/2013 Ng ..... D26/65  
D716,987 S \* 11/2014 Waldmann ..... D26/65  
D756,013 S \* 5/2016 Lee ..... D26/65  
D764,090 S \* 8/2016 Wahl ..... D26/65  
D804,073 S \* 11/2017 Fan ..... D26/65

(Continued)

(80) **Hague Agreement Data**

Int. Filing Date: **Aug. 2, 2017**  
Int. Reg. No.: **DM/097197**  
Int. Reg. Date: **Aug. 2, 2017**  
Int. Reg. Pub. Date: **Feb. 2, 2018**

*Primary Examiner* — Mary Ann Calabrese  
*Assistant Examiner* — Jennifer L Rempfer  
(74) *Attorney, Agent, or Firm* — Muirhead and Saturnelli, LLC

(51) **LOC (12) Cl.** ..... **26-05**  
(52) **U.S. Cl.**  
USPC ..... **D26/65**

(57) **CLAIM**

The ornamental design for a lamp, as shown and described.

(58) **Field of Classification Search**  
USPC ..... D26/1, 24, 93, 104, 106, 107, 109, 110, D26/72, 85, 61-66  
CPC ..... F21S 6/00; F21S 6/043; F21S 8/08; F21V 21/00; F21V 21/02; F21W 2121/00; F21W 2131/30

**DESCRIPTION**

1.1 is a front view of a new design for a lamp.  
1.2 is a right view of a new design for a lamp.  
1.3 is a top view of a new design for a lamp.  
1.4 is a bottom view of a new design for a lamp.  
1.5 is a back view of a new design for a lamp.  
1.6 is a left view of a new design for a lamp.  
1.7 is a perspective view of a new design for a lamp.  
The broken lines depicting a portion of the bottom view of the lamp are for environmental purposes and form no part of the claimed design.

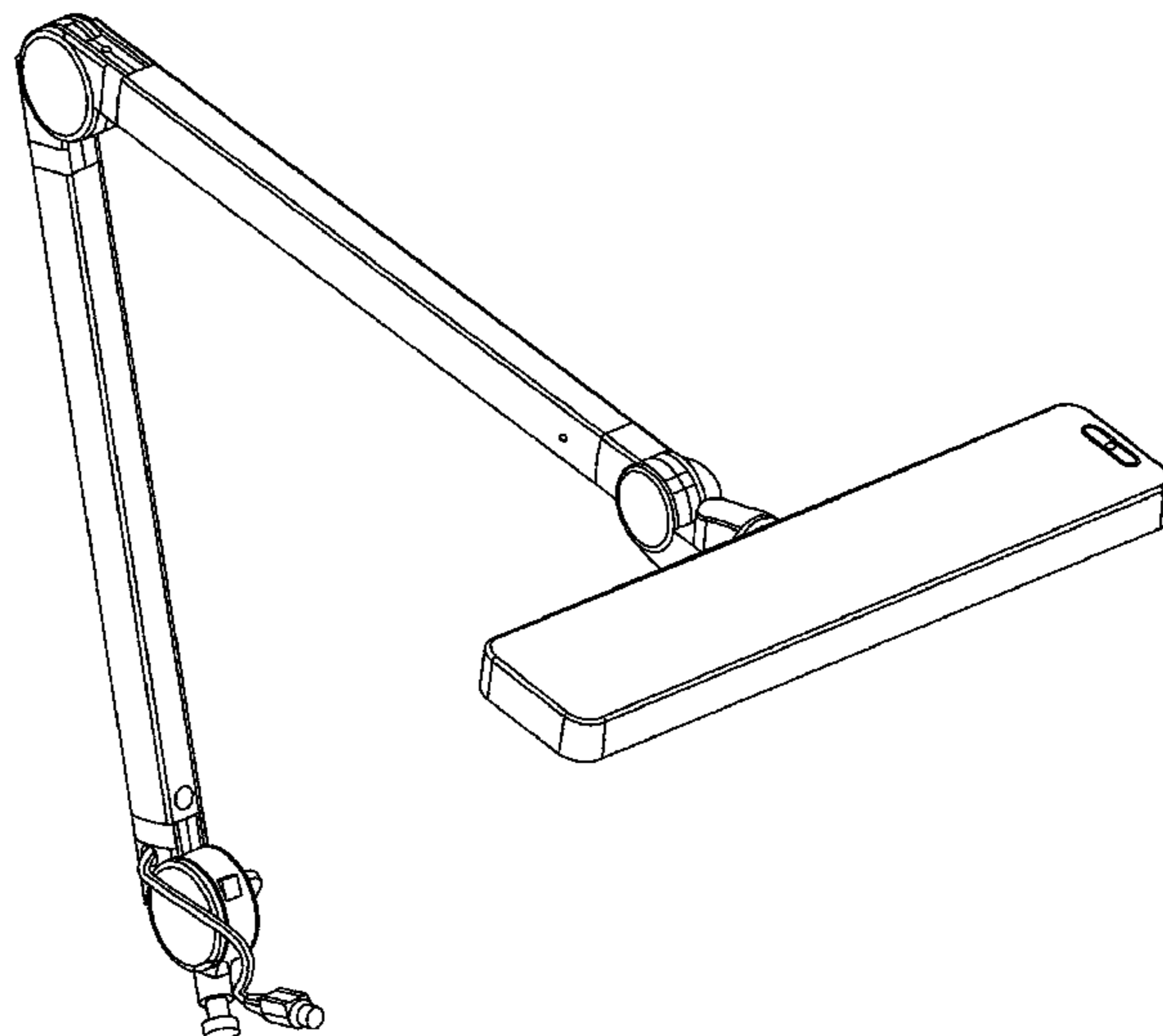
See application file for complete search history.

(56) **References Cited**

**U.S. PATENT DOCUMENTS**

D135,479 S \* 4/1943 Hopkins ..... D26/60  
D162,639 S \* 3/1951 Fiori ..... D26/60  
D183,954 S \* 11/1958 Storm et al. .... D24/177

**1 Claim, 7 Drawing Sheets**



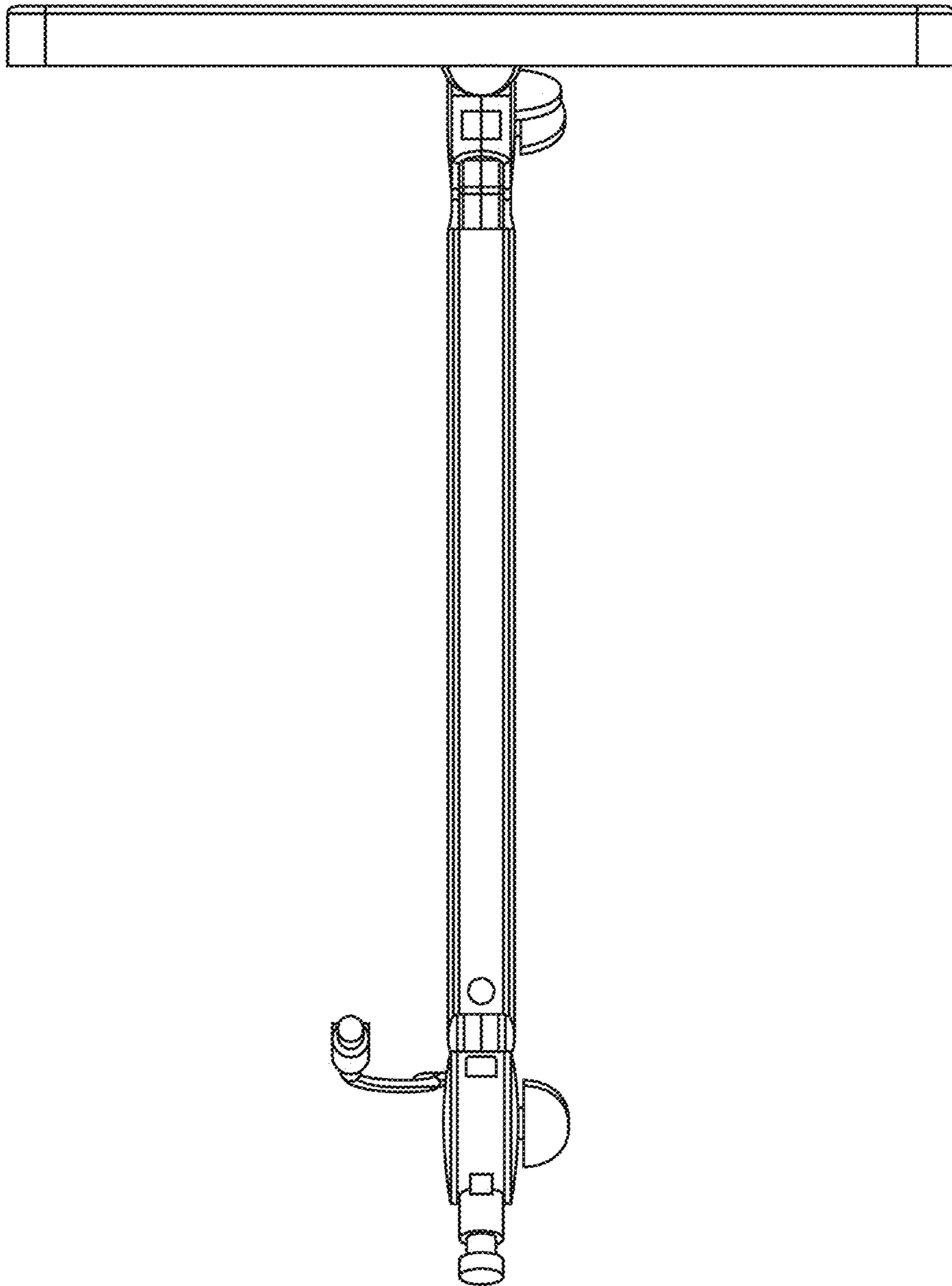
(56)

**References Cited**

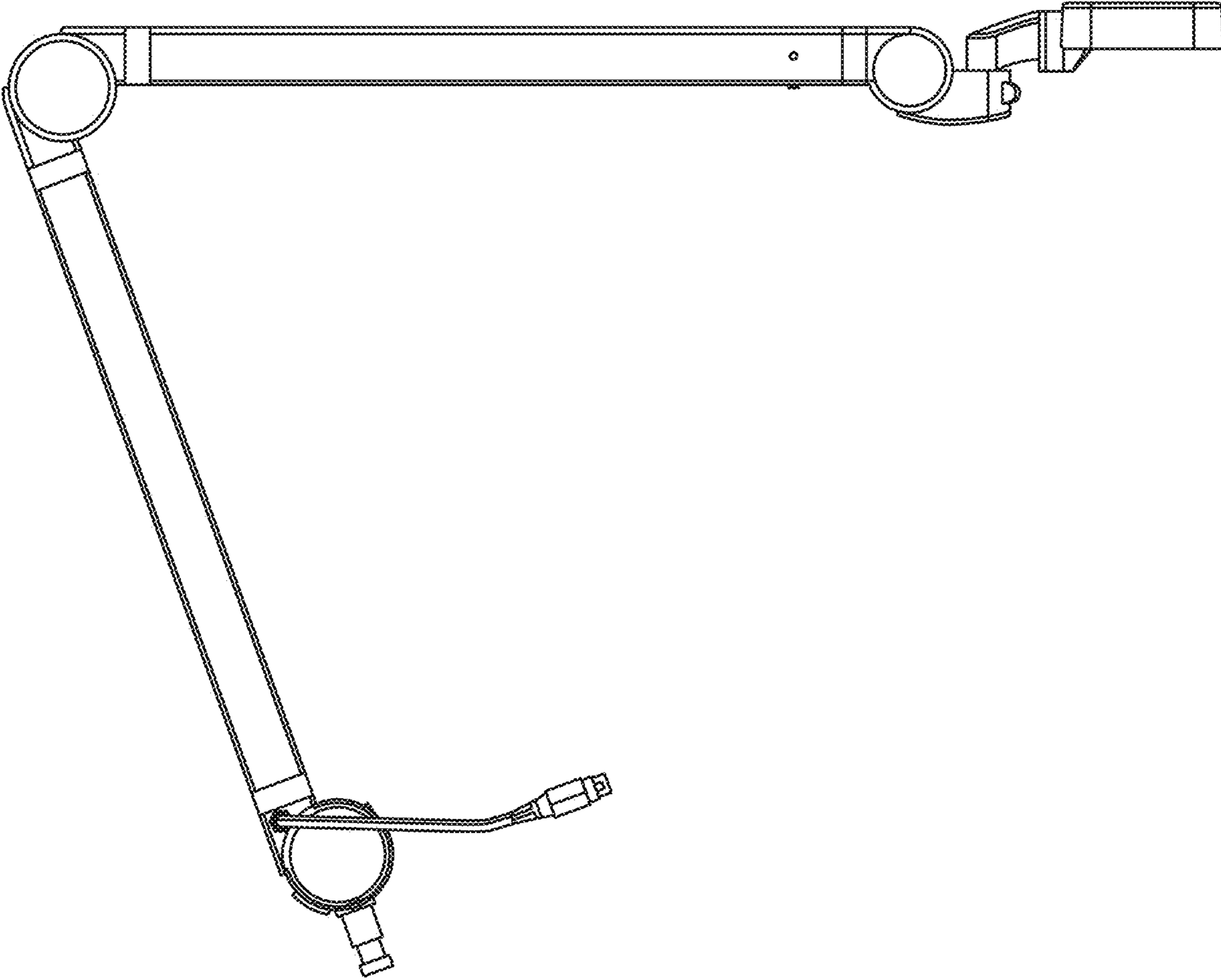
U.S. PATENT DOCUMENTS

D822,879 S *	7/2018	Hodgson .....	D26/108
D822,880 S *	7/2018	Hodgson .....	D26/108
D824,067 S *	7/2018	Waldmann .....	D26/65
D824,068 S *	7/2018	Chang .....	D26/65

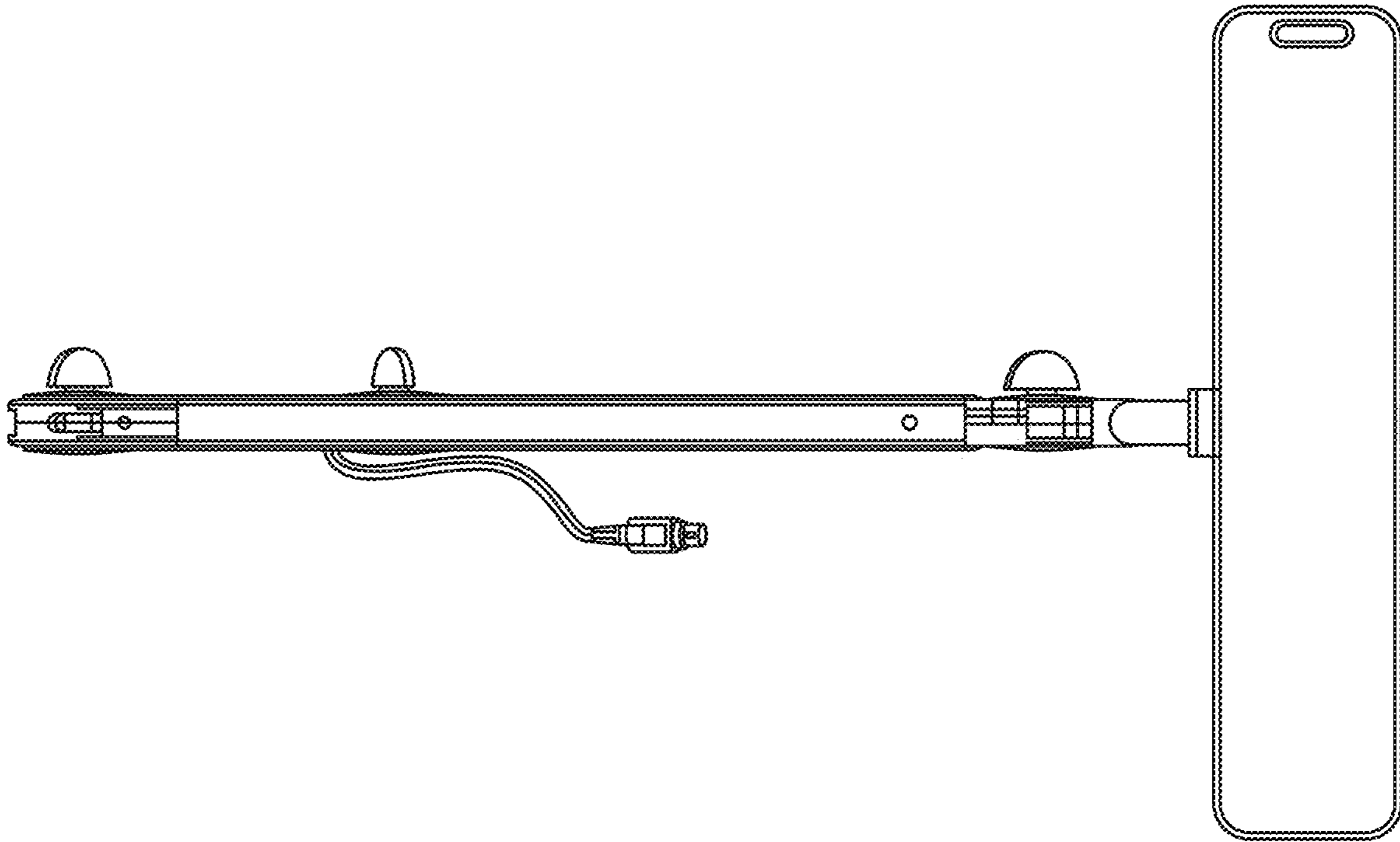
\* cited by examiner

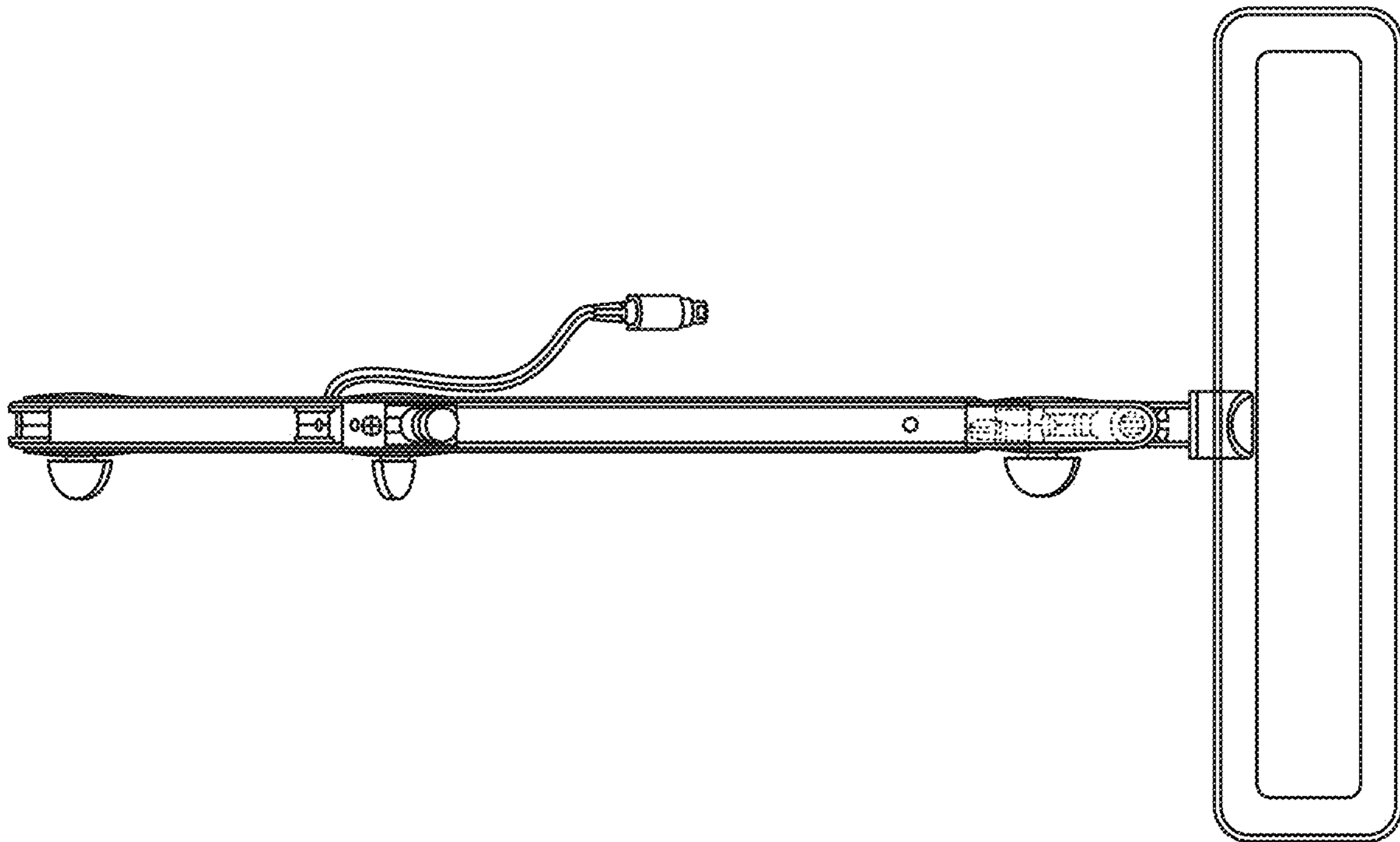


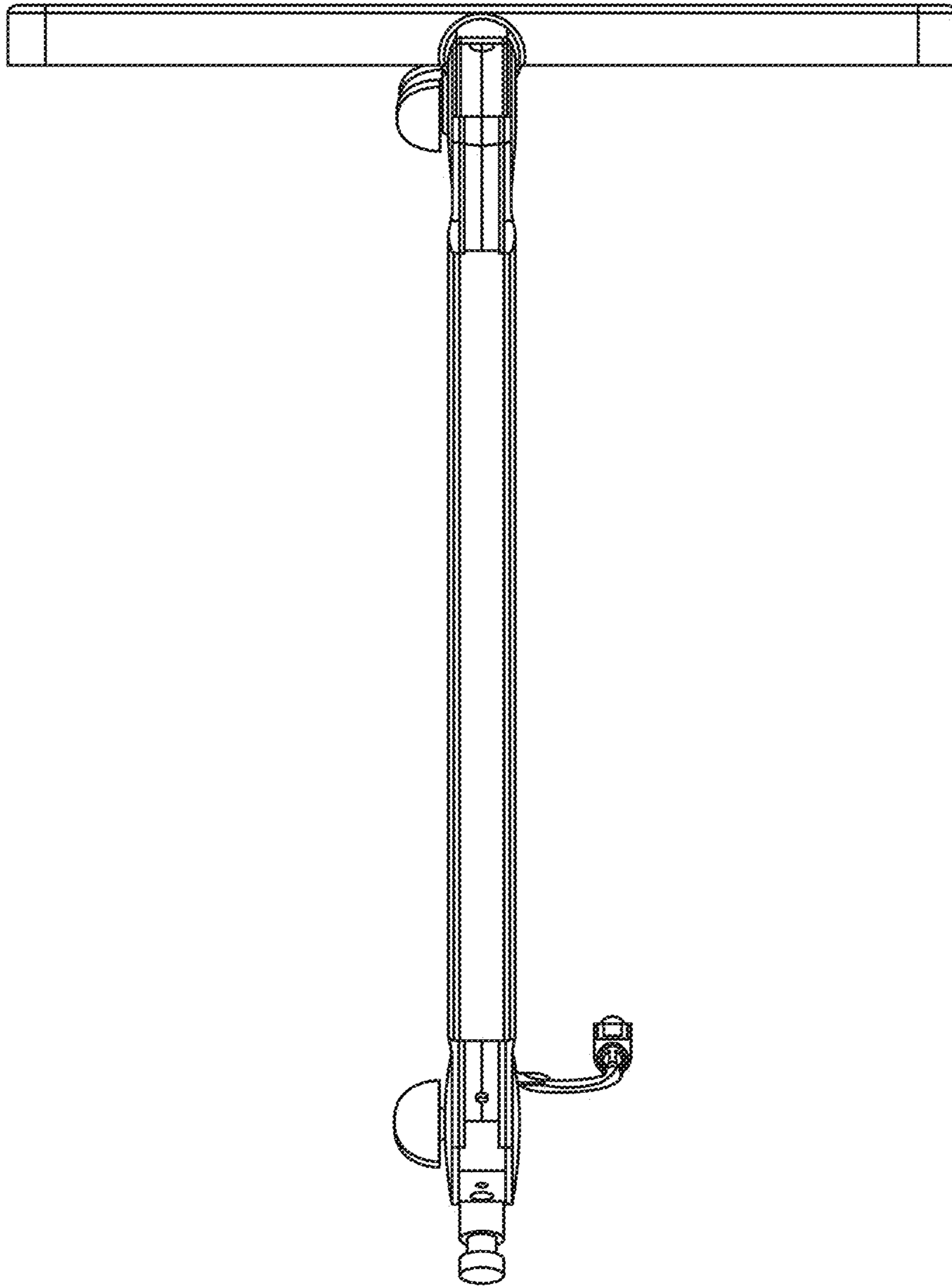
1.1



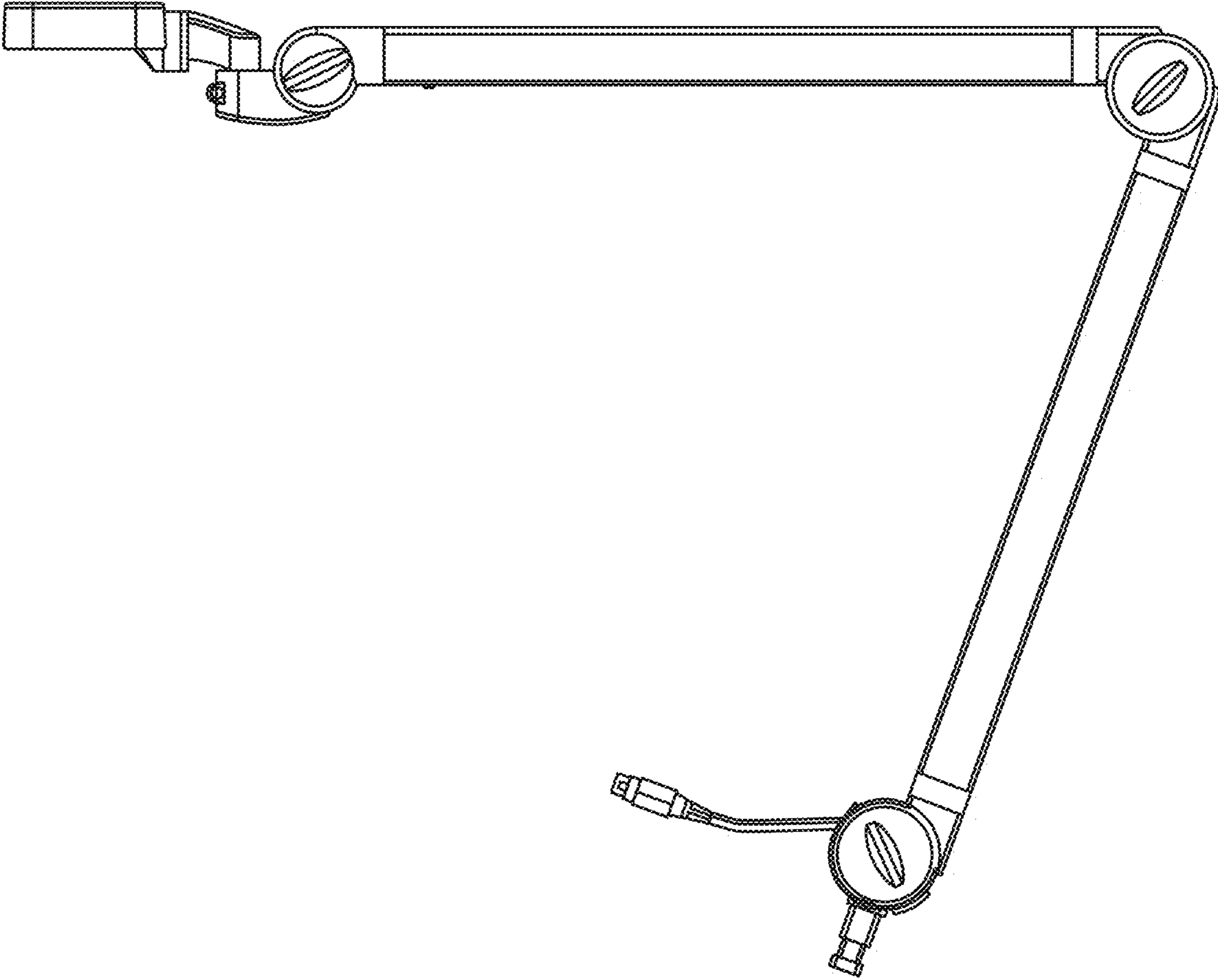
1.2







1.5



1.6



