



US00D883546S

(12) **United States Design Patent** (10) **Patent No.:** **US D883,546 S**  
**Li** (45) **Date of Patent:** **\*\* May 5, 2020**

(54) **FLASHLIGHT**

(71) Applicant: **Hangzhou Greatstar Intelligent Technology Co., Ltd.**, Hangzhou, Zhejiang Province (CN)

(72) Inventor: **Yueming Li**, Hangzhou (CN)

(73) Assignee: **Hangzhou Greatstar Intelligent Technology Co., Ltd.**, Hangzhou (CN)

(\*\*) Term: **15 Years**

(21) Appl. No.: **29/636,152**

(22) Filed: **Feb. 6, 2018**

(30) **Foreign Application Priority Data**

Aug. 8, 2017 (CN) ..... 2017 3 0360244

(51) **LOC (12) Cl.** ..... **26-02**

(52) **U.S. Cl.**  
USPC ..... **D26/49**

(58) **Field of Classification Search**  
USPC ..... D26/37-51  
CPC ..... F21L 2003/00; F21L 4/00; F21L 4/005;  
F21L 4/02; F21L 4/025; F21L 4/027;  
F21L 4/04; F21L 4/08; F21L 2005/00;  
F21L 7/00; F21L 11/00; F21L 13/00;  
F21L 13/04; F21L 13/08; F21L 14/02;  
F21L 17/00; F21L 19/00; F21L 25/00  
See application file for complete search history.

(56) **References Cited**

**U.S. PATENT DOCUMENTS**

D315,609 S \* 3/1991 Garrity ..... D26/49  
D360,045 S \* 7/1995 Inukai ..... D26/49  
D395,719 S \* 6/1998 Concari ..... D26/37  
D411,023 S \* 6/1999 Yau ..... D26/49

D423,704 S \* 4/2000 Man ..... D26/46  
D426,906 S \* 6/2000 Nakagawa ..... D26/49  
D427,702 S \* 7/2000 Sharrah ..... D26/49  
D448,878 S \* 10/2001 Dalton ..... D26/49  
D449,395 S \* 10/2001 Dalton ..... D26/49  
D452,025 S \* 12/2001 Poon ..... D26/49  
D457,976 S \* 5/2002 Kung ..... D26/49  
D463,877 S \* 10/2002 Kung ..... D26/38  
D482,151 S \* 11/2003 Shiu ..... D26/49  
D494,298 S \* 8/2004 Brent ..... D26/49  
D507,067 S \* 7/2005 Fritz ..... D26/49  
D567,420 S \* 4/2008 Ho ..... D26/49  
D618,838 S \* 6/2010 Smith ..... D26/49  
D643,956 S \* 8/2011 Bertken ..... D26/42  
D687,995 S \* 8/2013 Yeh ..... D26/49  
D709,229 S \* 7/2014 Wang ..... D26/49  
D716,482 S \* 10/2014 Ma ..... D26/49  
D734,885 S \* 7/2015 Brown ..... D26/49  
D746,500 S \* 12/2015 Brown ..... D26/49

\* cited by examiner

*Primary Examiner* — Lakiya G Rogers

*Assistant Examiner* — Carissa C Fitts

(74) *Attorney, Agent, or Firm* — Fitch Even Tabin & Flannery LLP

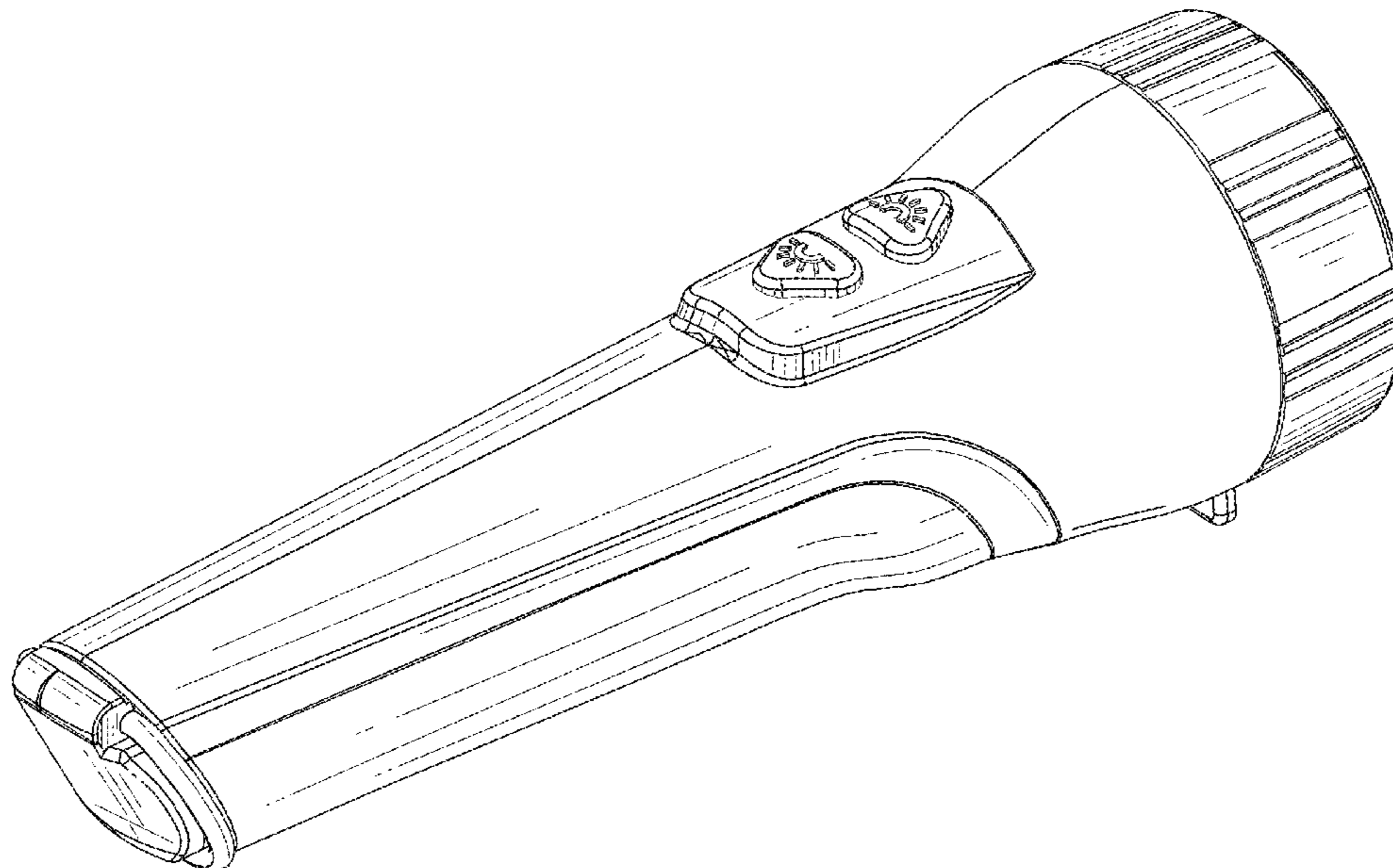
(57) **CLAIM**

The ornamental design for a flashlight, as shown and described.

**DESCRIPTION**

FIG. 1 is a top, rear perspective view of my new design of a flashlight;  
FIG. 2 is a bottom, front perspective view thereof;  
FIG. 3 is a left side elevation view thereof, the right side elevation view being a mirror image thereof;  
FIG. 4 is a top plan view thereof;  
FIG. 5 is a bottom plan view thereof;  
FIG. 6 is a front elevation view thereof; and,  
FIG. 7 is a rear elevation view thereof.

**1 Claim, 4 Drawing Sheets**



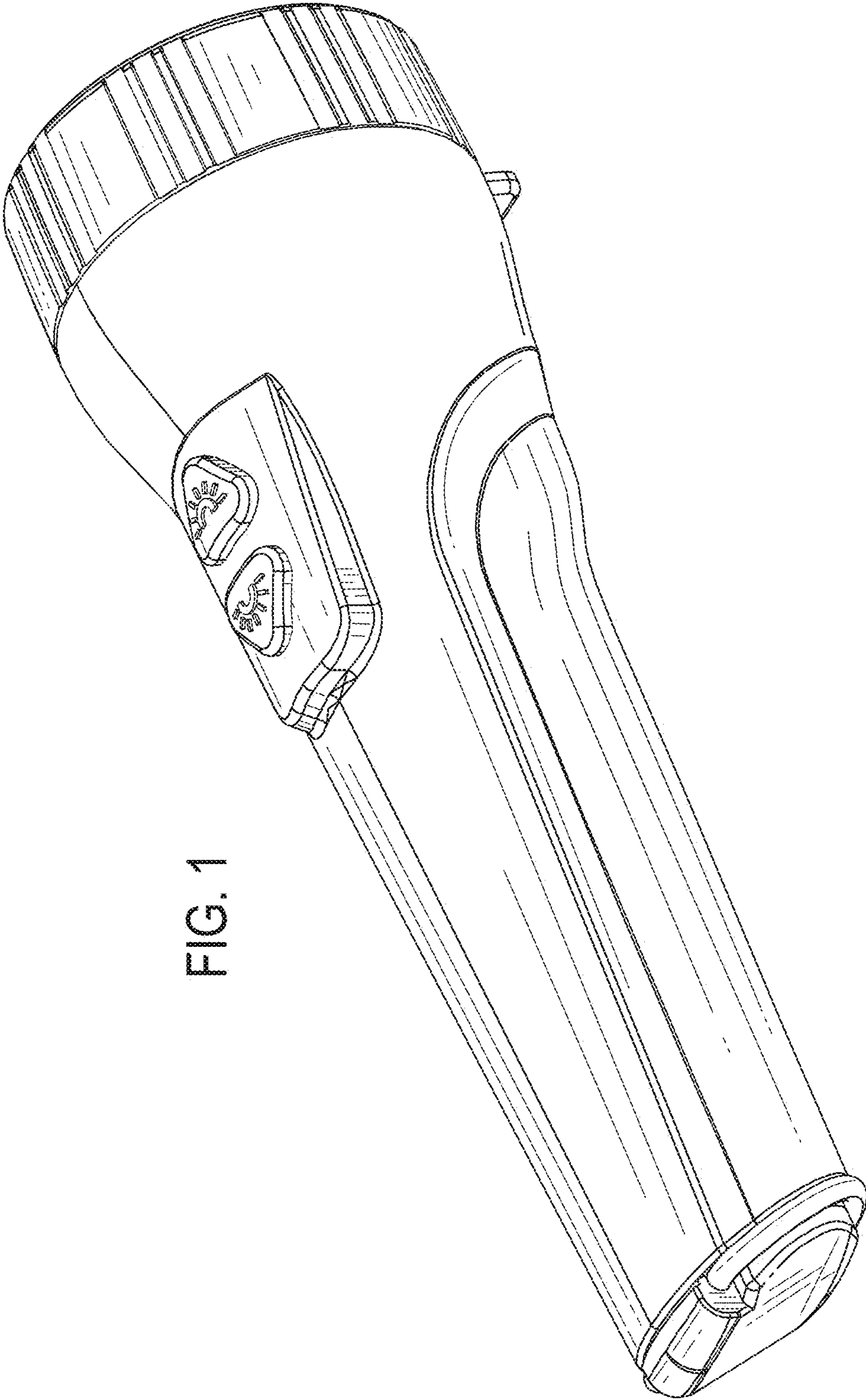


FIG. 1

FIG. 2

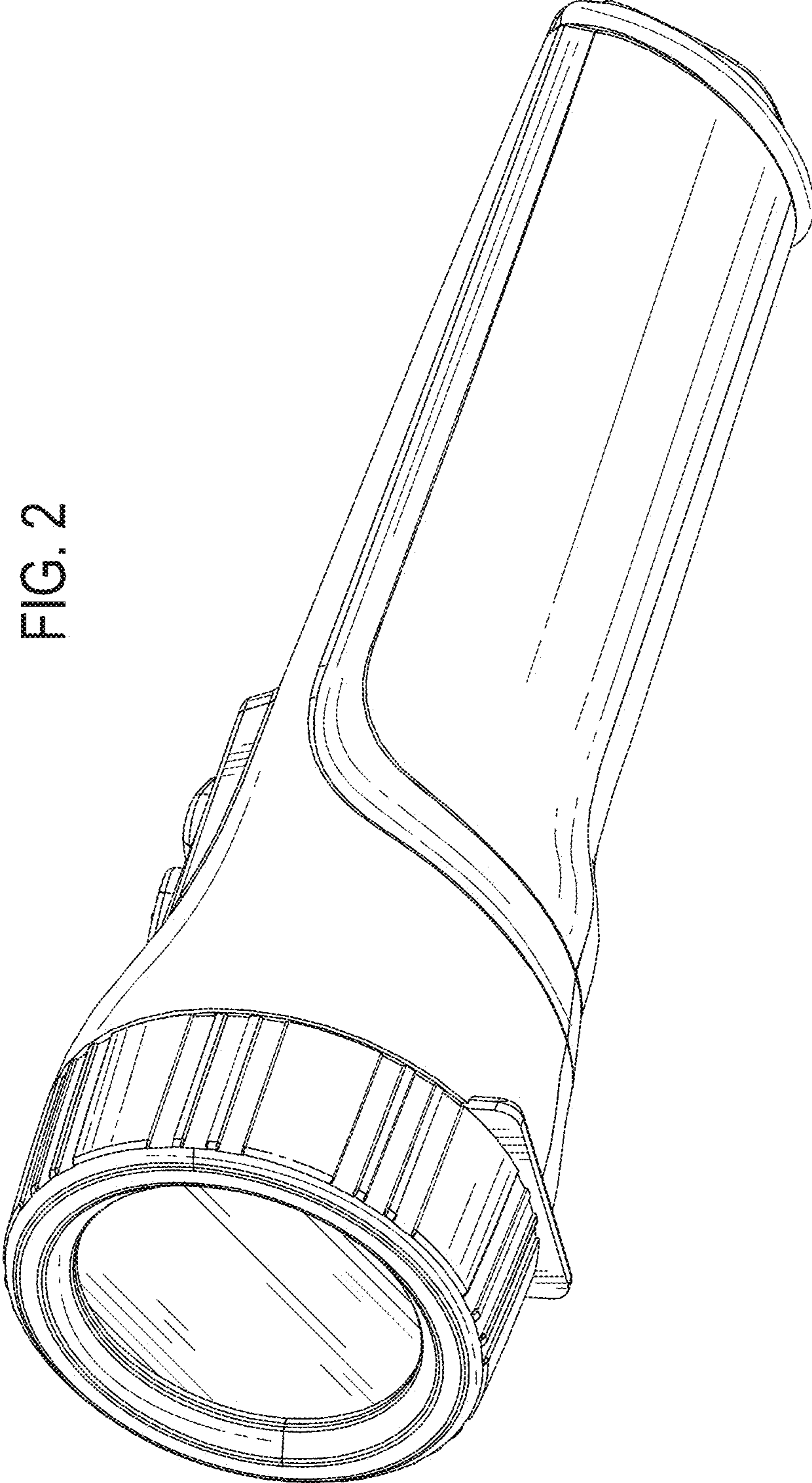


FIG. 3

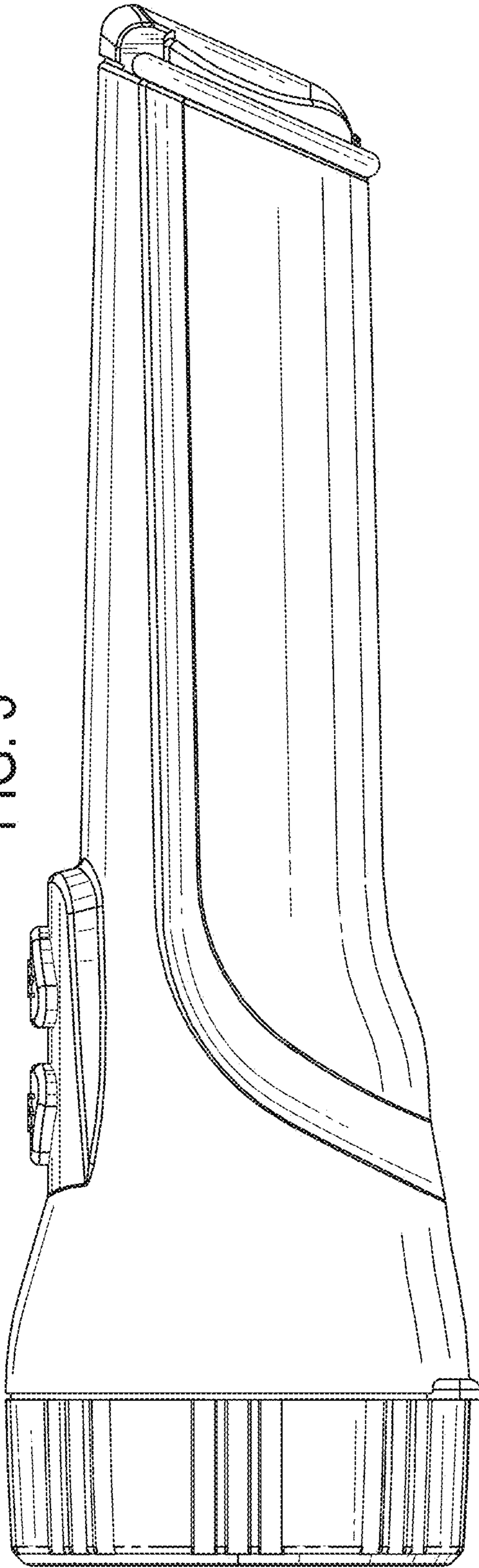


FIG. 4

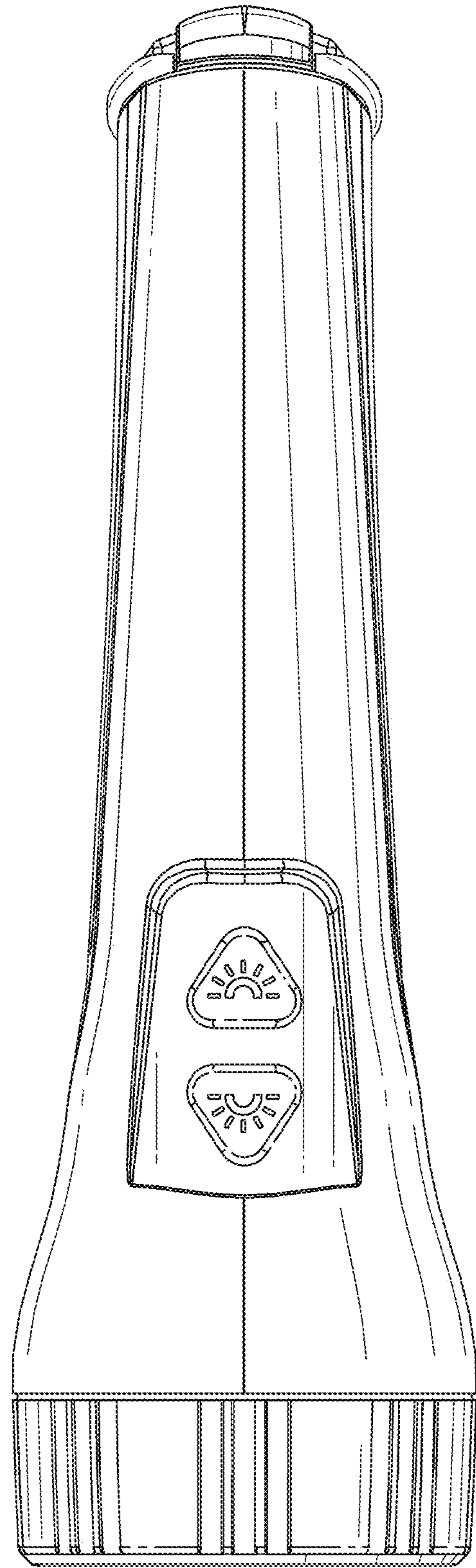


FIG. 5

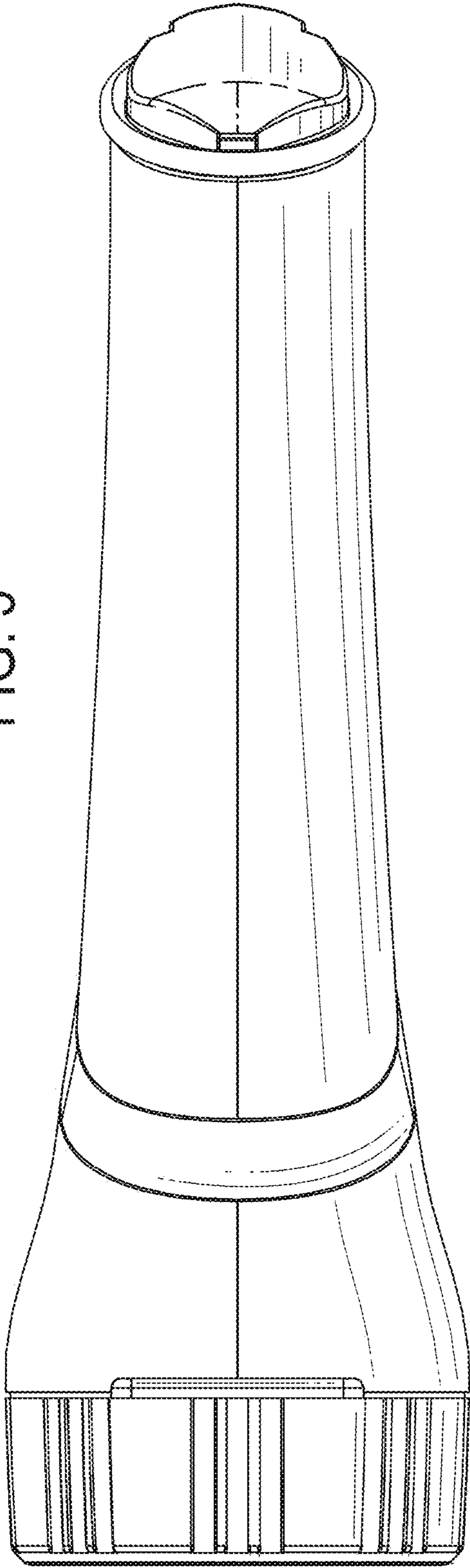


FIG. 6

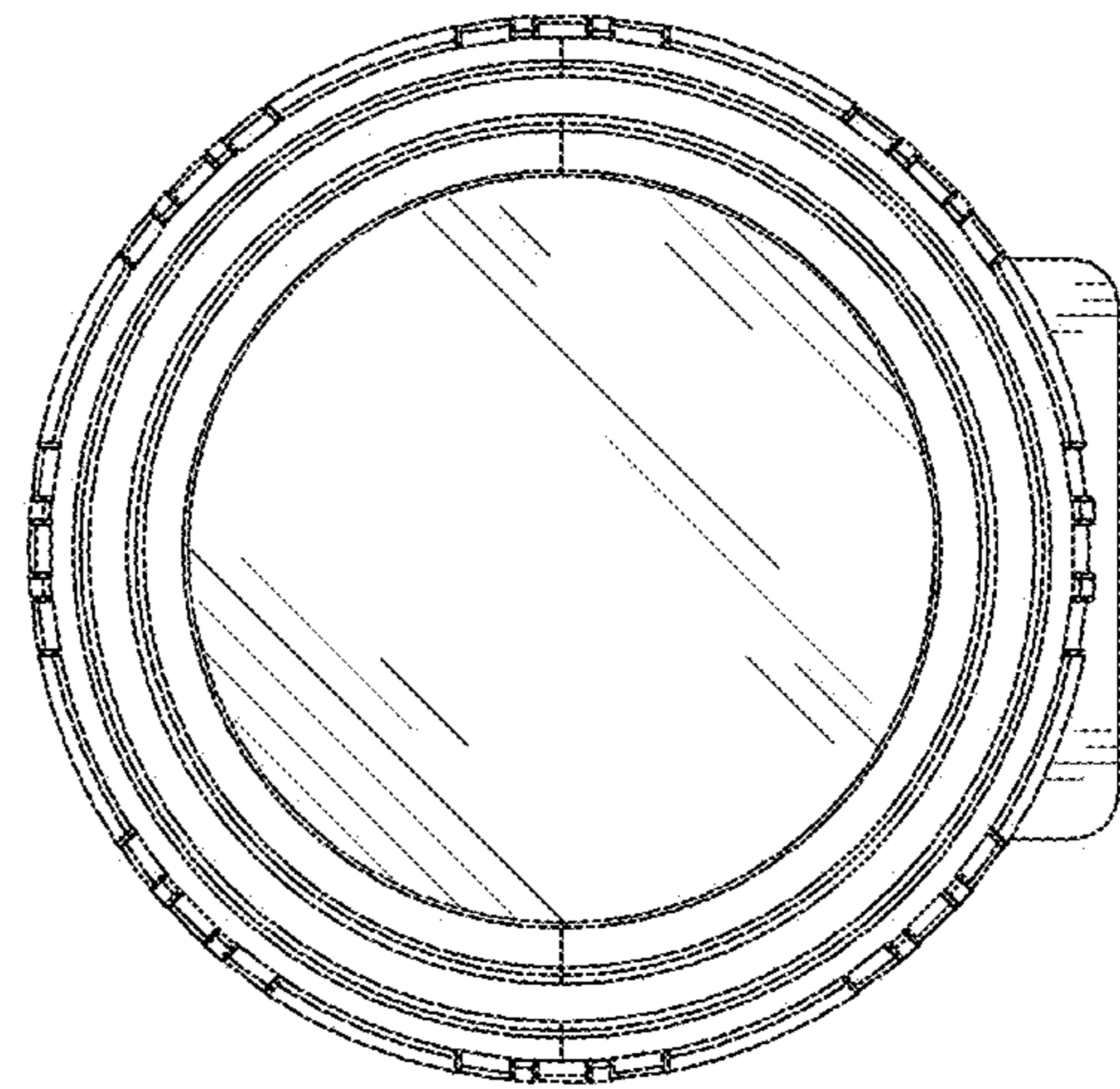


FIG. 7

