



US00D883545S

(12) **United States Design Patent**  
**Zhang**

(10) **Patent No.:** **US D883,545 S**

(45) **Date of Patent:** **\*\* May 5, 2020**

(54) **WORK LIGHT**

(71) Applicant: **Yuyao Jinfeng Electric Appliance Co., Ltd., Yuyao (CN)**

(72) Inventor: **Jifeng Zhang, Yuyao (CN)**

(73) Assignee: **Yuyao Jinfeng Electric Appliance Co., Ltd., Yuyao (CN)**

(\*\*) Term: **15 Years**

(21) Appl. No.: **29/556,127**

(22) Filed: **Feb. 26, 2016**

(30) **Foreign Application Priority Data**

Aug. 27, 2015 (CN) ..... 2015 3 0325595

(51) **LOC (12) Cl.** ..... **26-02**

(52) **U.S. Cl.**  
USPC ..... **D26/44; D26/63**

(58) **Field of Classification Search**

USPC ..... D26/37, 38, 40, 42, 44, 46, 51, 63, 61  
CPC ..... F21L 2003/00; F21L 4/00; F21L 4/005;  
F21L 4/02; F21L 4/025; F21L 4/027;  
F21L 4/04; F21L 4/08; F21L 2005/00;  
F21L 7/00; F21L 11/00; F21L 13/00;  
F21L 13/04; F21L 13/08; F21L 14/02;  
F21L 17/00; F21L 19/00

See application file for complete search history.

(56) **References Cited**

**U.S. PATENT DOCUMENTS**

D403,094 S \* 12/1998 Grossman ..... D26/119  
D403,455 S \* 12/1998 Duennes ..... D26/119  
D462,802 S \* 9/2002 Kovacik ..... D26/63  
D486,599 S \* 2/2004 Bayat ..... D26/63  
D549,859 S \* 8/2007 Kovacik ..... D26/37  
D553,771 S \* 10/2007 Watson ..... D26/37  
D558,369 S \* 12/2007 O'Hern ..... D26/42

D583,988 S \* 12/2008 Sandell ..... D26/138  
D588,733 S \* 3/2009 O'Hern ..... D26/42  
D593,236 S \* 5/2009 Ng ..... D26/37  
D596,774 S \* 7/2009 Vines ..... D26/51  
D611,632 S \* 3/2010 Diehl ..... D26/50  
D611,633 S \* 3/2010 Thomson ..... D26/51  
D625,872 S \* 10/2010 Leen ..... D26/63  
D679,845 S \* 4/2013 Huang ..... D26/37  
D698,471 S \* 1/2014 Poon ..... D26/37  
D736,442 S \* 8/2015 Kovacik ..... D26/37  
D742,058 S \* 10/2015 Chen ..... D26/109  
D761,472 S \* 7/2016 Zhu ..... D26/63  
D761,473 S \* 7/2016 Zhang ..... D26/63  
D774,231 S \* 12/2016 Recker ..... D26/63  
D779,094 S \* 2/2017 Xu ..... D26/63  
D779,097 S \* 2/2017 Xu ..... D26/63  
D780,969 S \* 3/2017 Zhu ..... D26/63

(Continued)

*Primary Examiner* — Lakiya G Rogers

*Assistant Examiner* — Carissa C Fitts

(74) *Attorney, Agent, or Firm* — Wang Law Firm, Inc.

(57) **CLAIM**

The ornamental design for a work light, as shown and described.

**DESCRIPTION**

FIG. 1 is a front view of the work light showing my new design;

FIG. 2 is a left view thereof;

FIG. 3 is a right view thereof;

FIG. 4 is a rear view thereof;

FIG. 5 is a top view thereof;

FIG. 6 is a bottom view thereof;

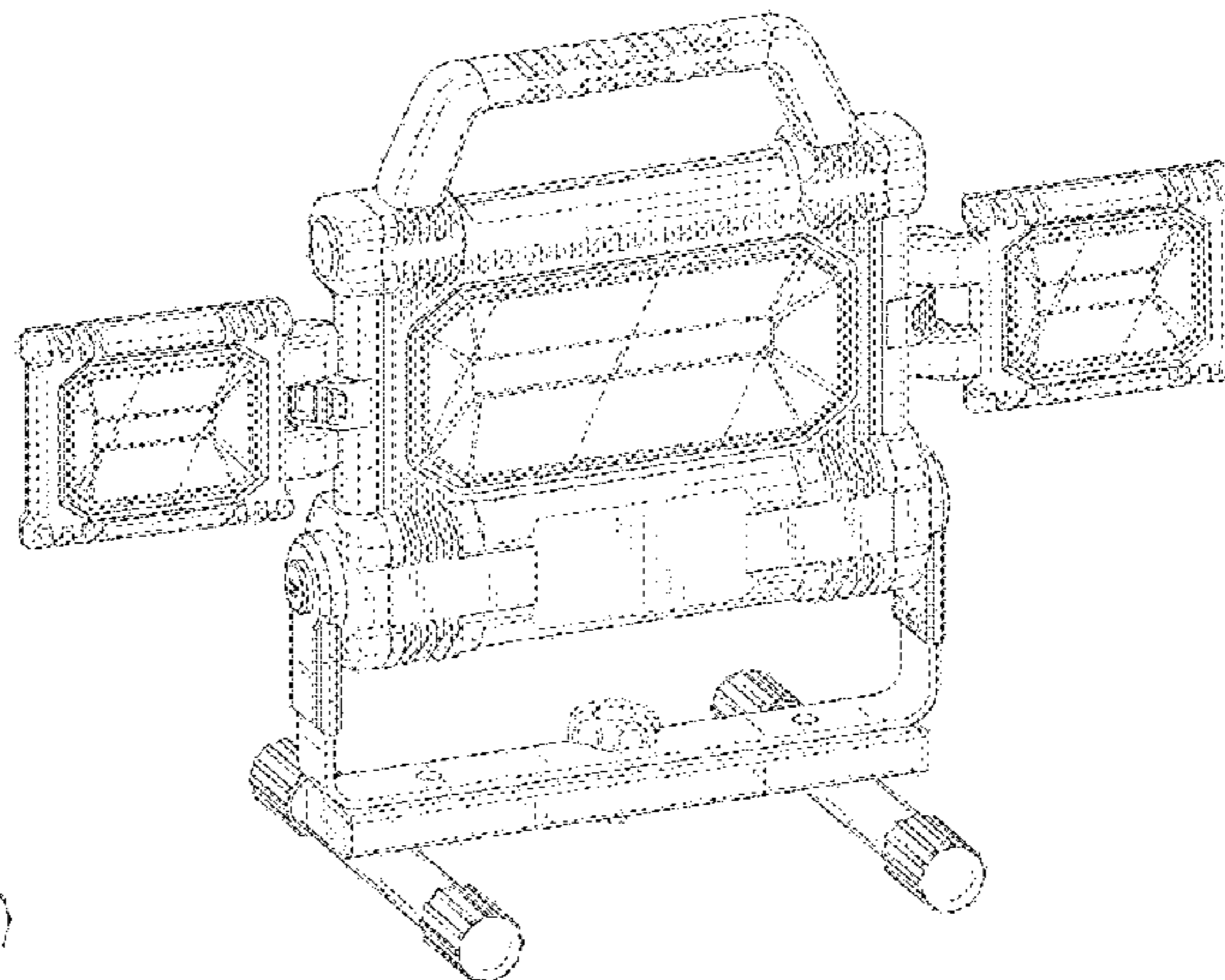
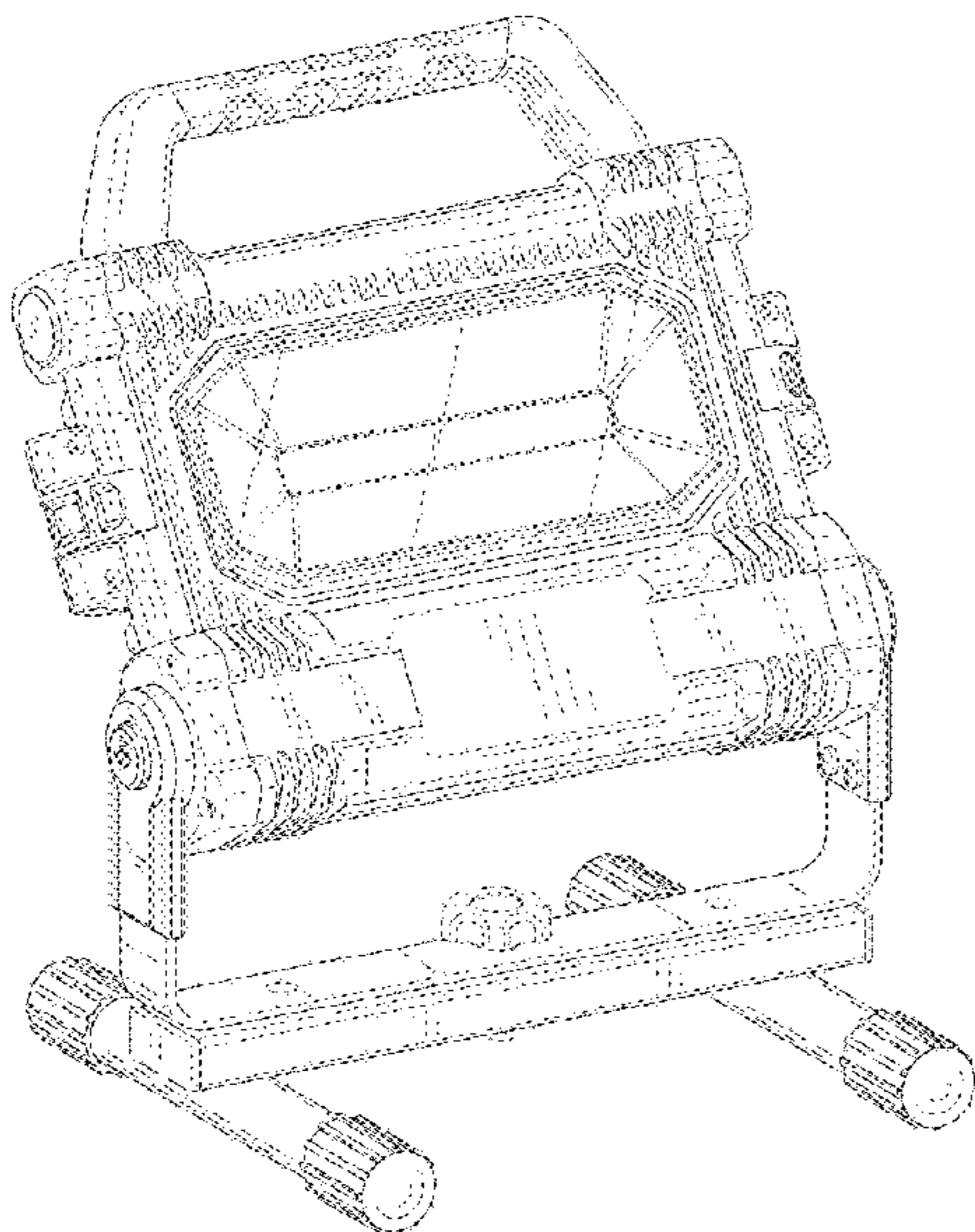
FIG. 7 is a front perspective view thereof;

FIG. 8 is a front perspective view thereof; and,

FIG. 9 is a front perspective view thereof with two side panels spread.

The broken lines show portions of the article which form no part of the claimed design.

**1 Claim, 9 Drawing Sheets**



(56)

**References Cited**

U.S. PATENT DOCUMENTS

D781,480	S	*	3/2017	Zhan	.....	D26/63
D820,489	S	*	6/2018	Zhang	.....	D26/44
D835,315	S	*	12/2018	Zhu	.....	D26/44
D841,848	S	*	2/2019	Poffler	.....	D26/37
D856,565	S	*	8/2019	Fang	.....	D26/63
D858,843	S	*	9/2019	Fang	.....	D26/63
2006/0146523	A1	*	7/2006	Yuen	.....	F21L 14/026 362/183
2019/0285251	A1	*	9/2019	Li	.....	F21V 21/145
2019/0331326	A1	*	10/2019	Proeber	.....	F21V 21/0965
2019/0353332	A1	*	11/2019	You	.....	F21V 23/0414

\* cited by examiner

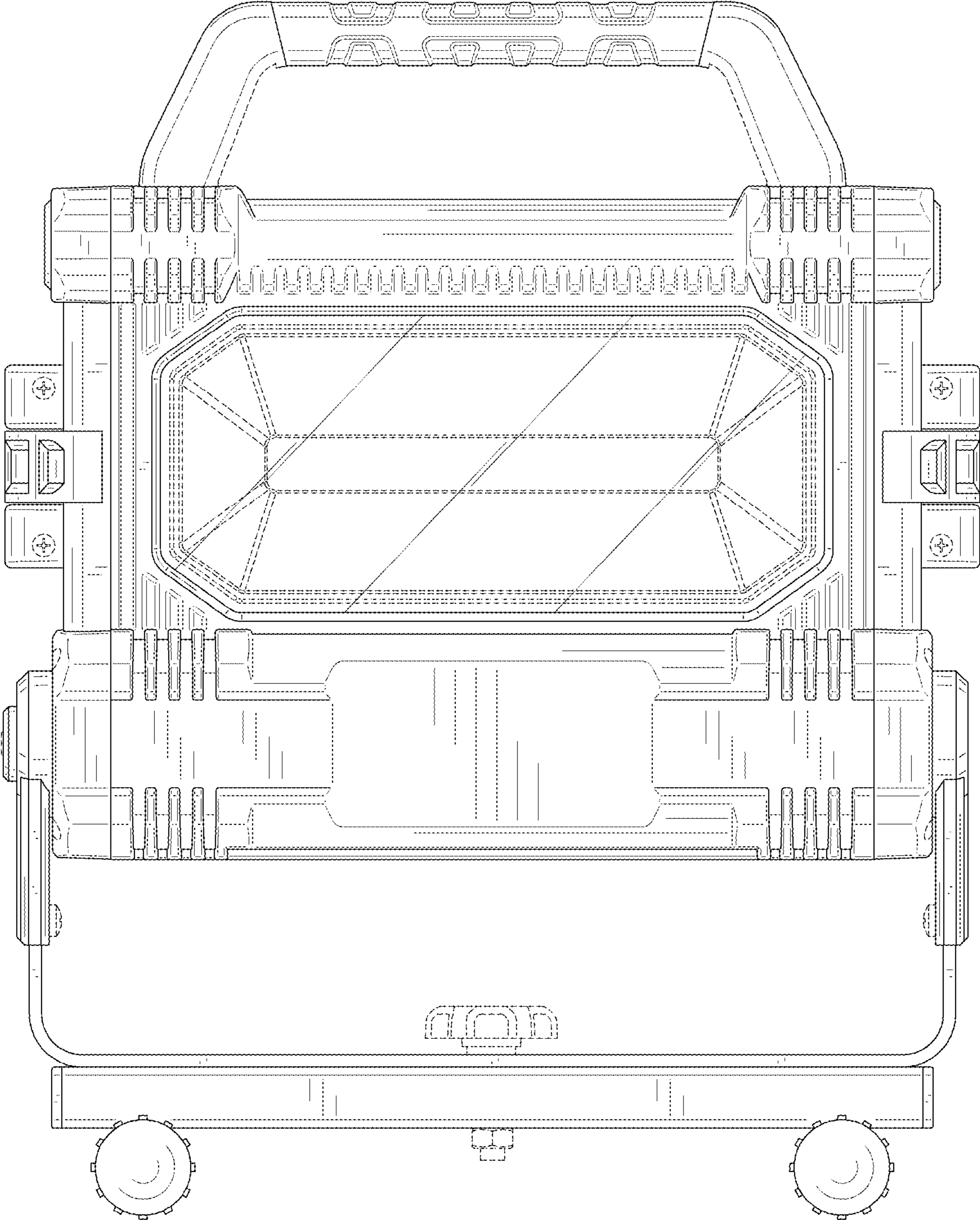


FIG. 1



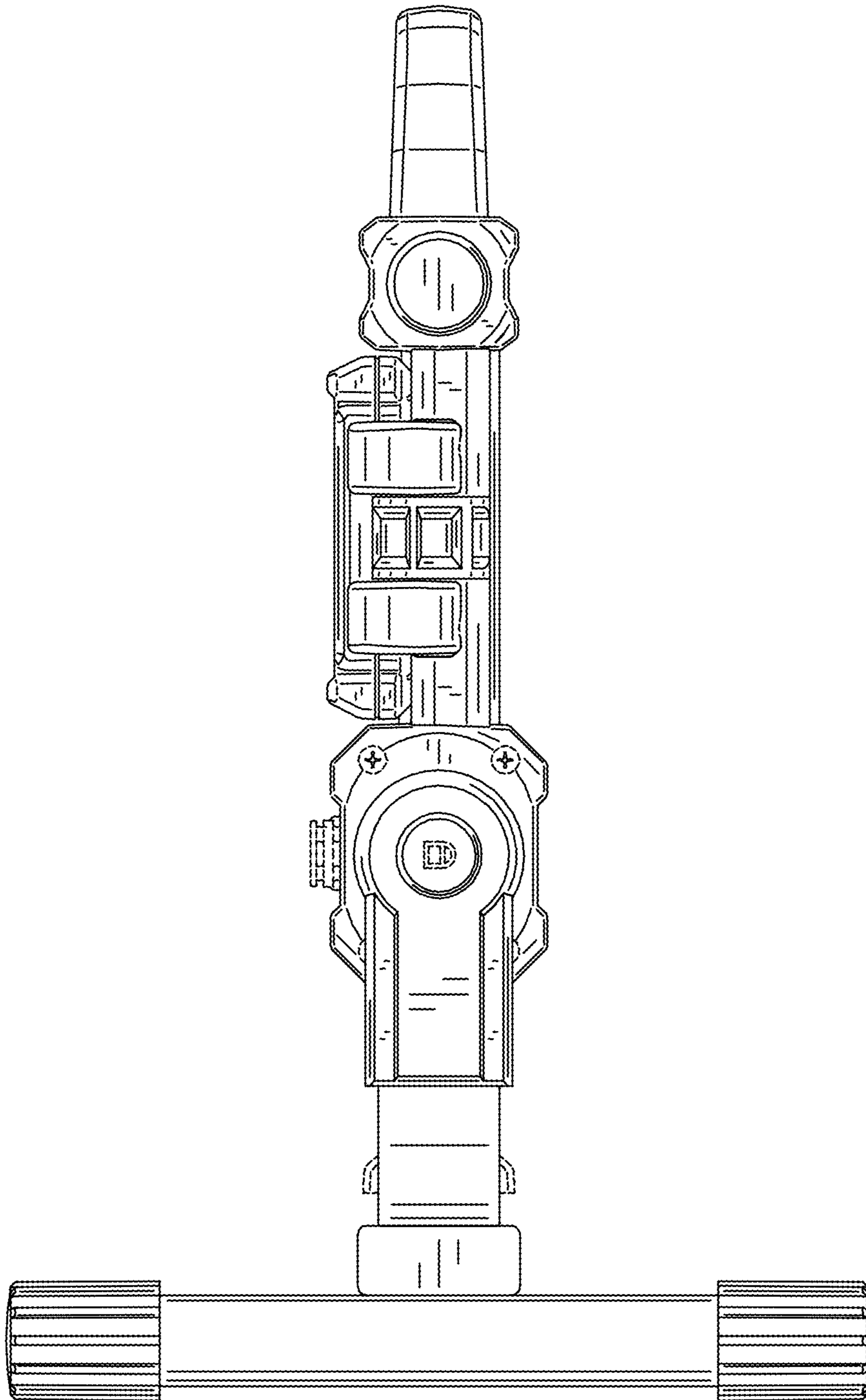


FIG. 2

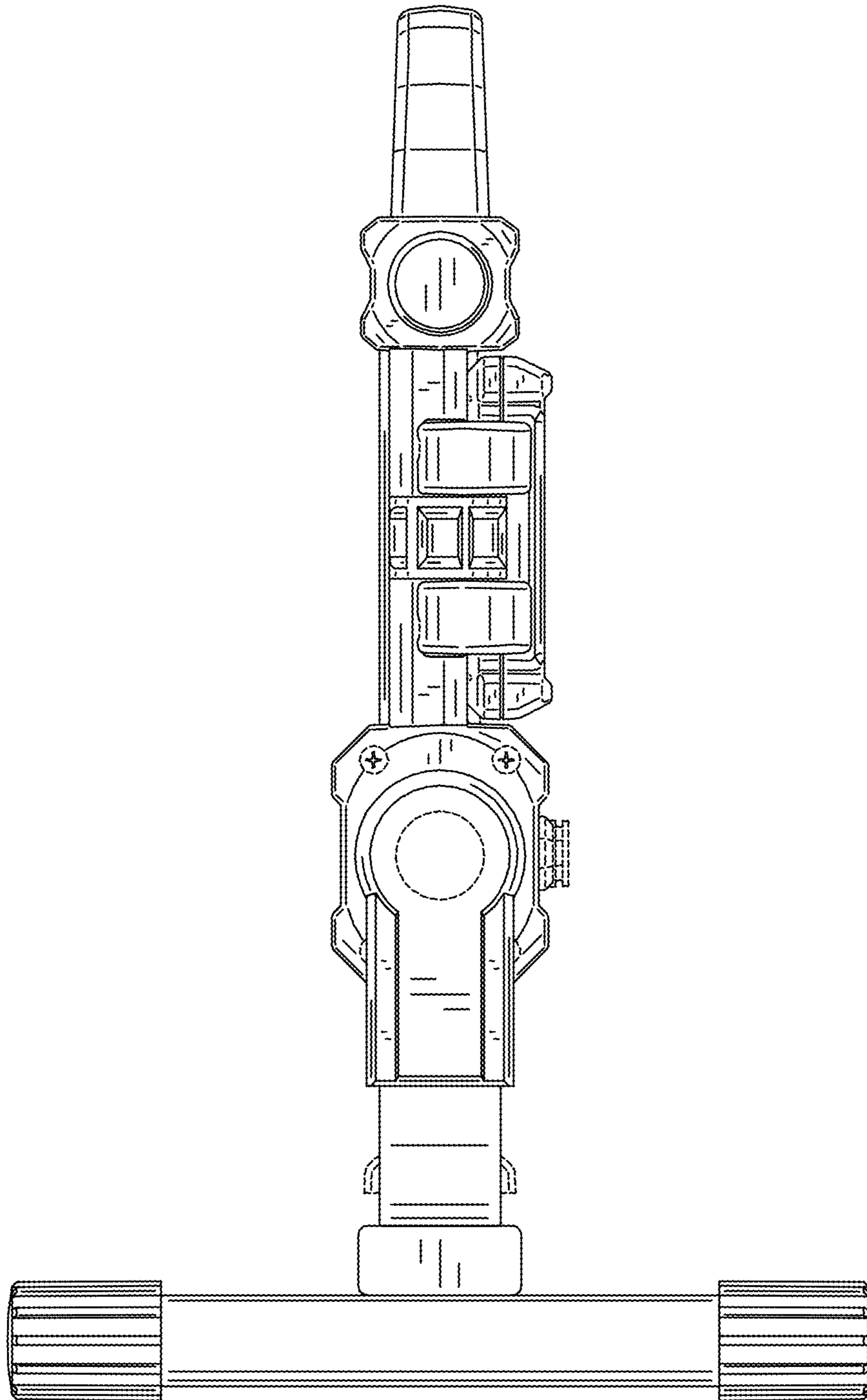


FIG. 3

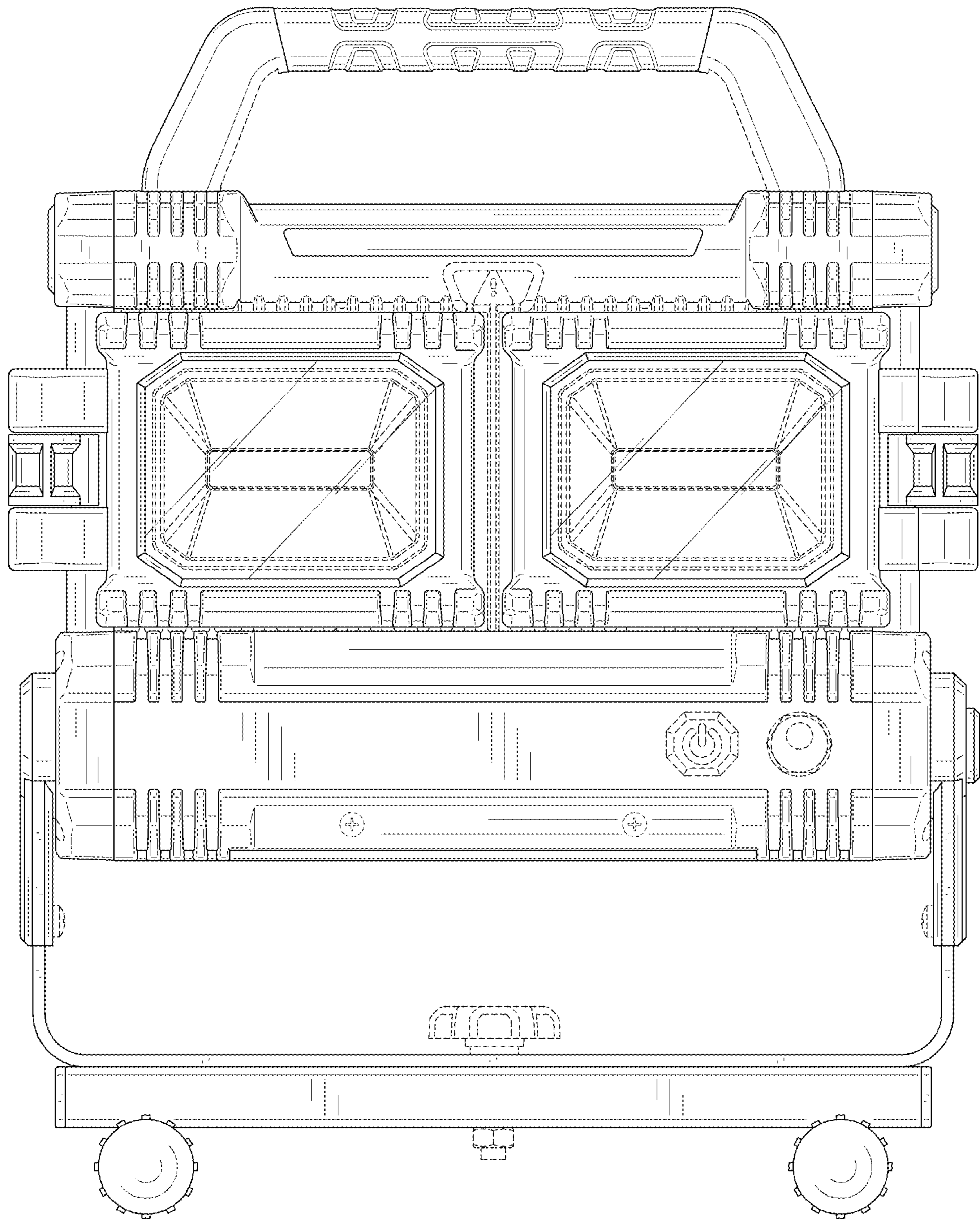


FIG. 4

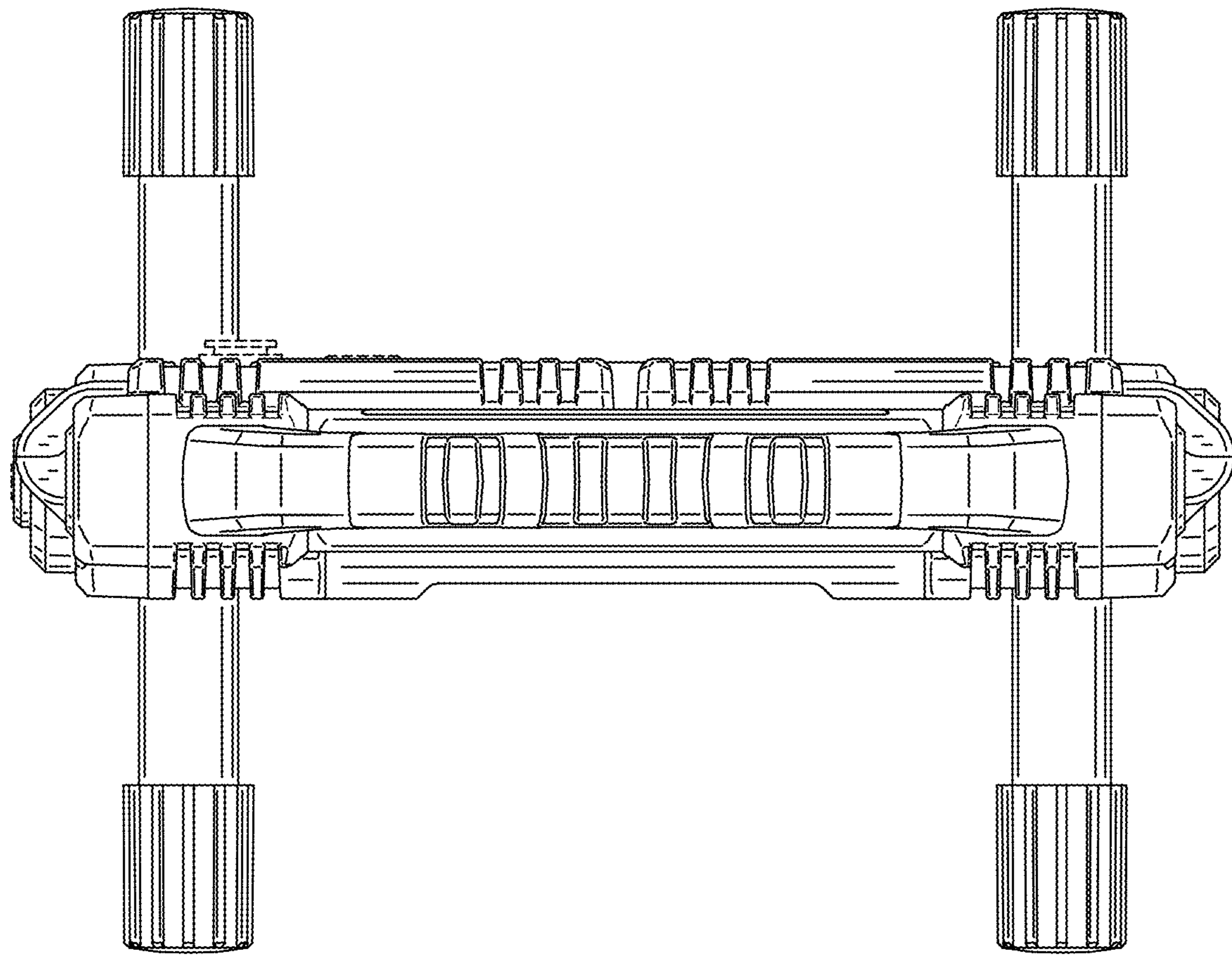


FIG. 5

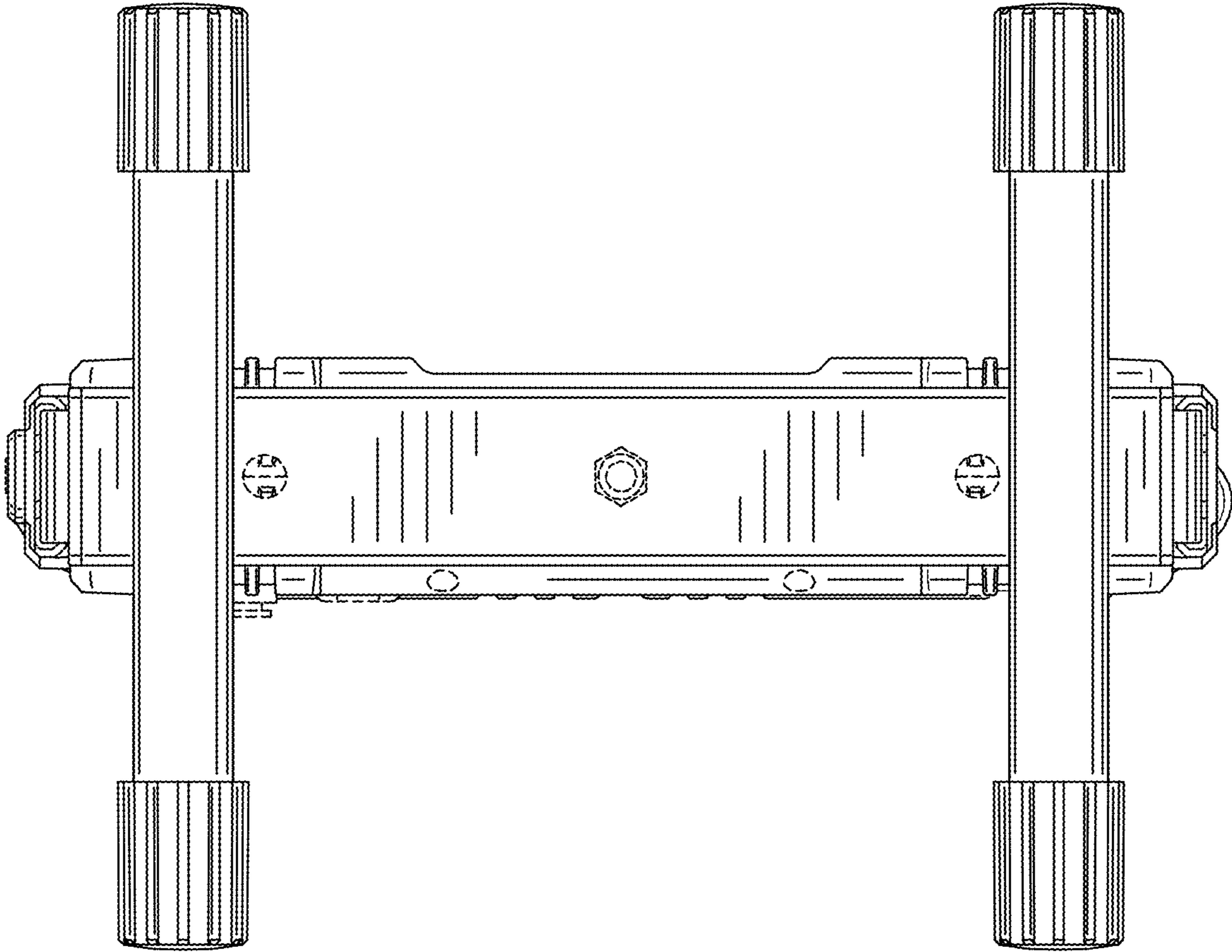


FIG. 6



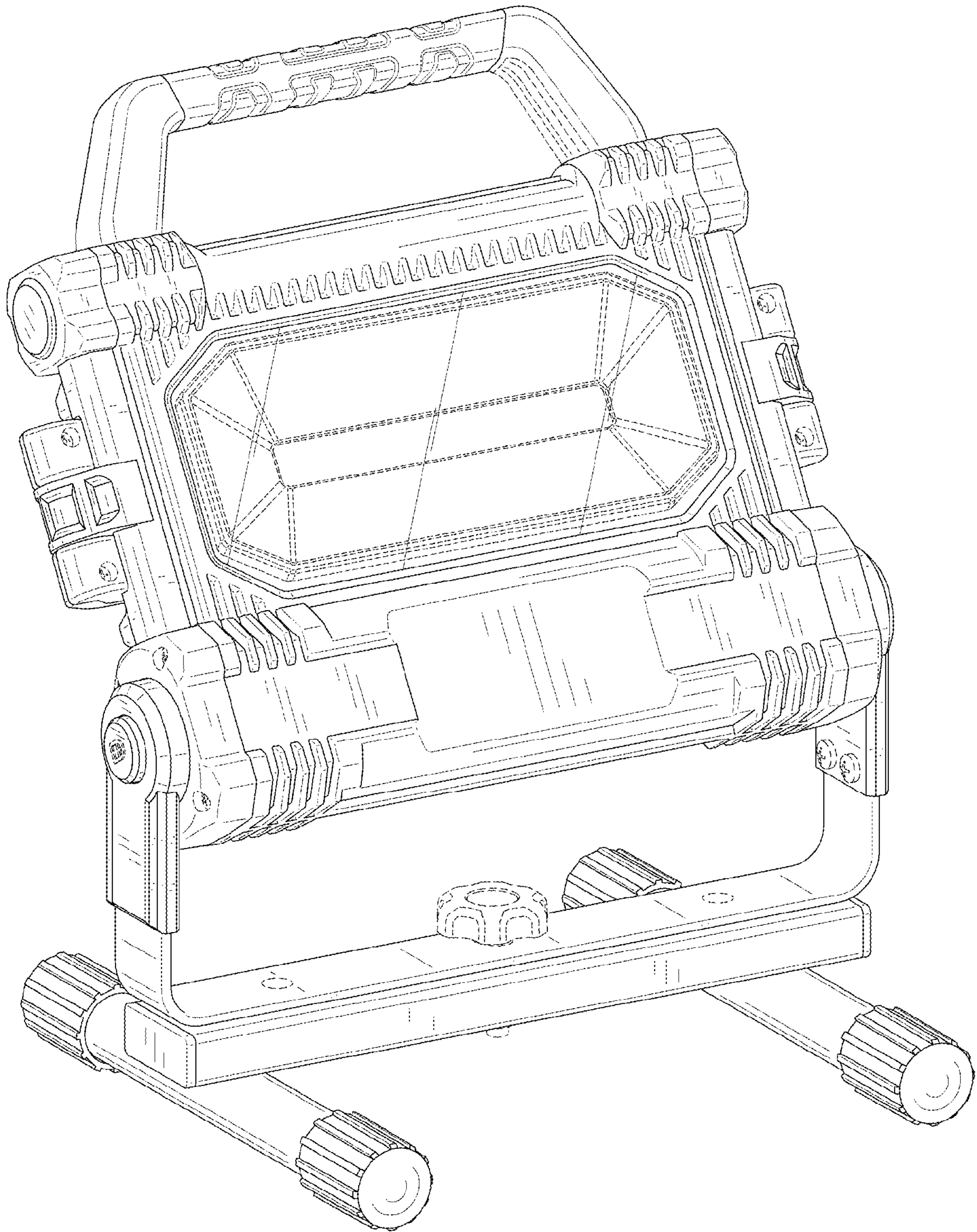


FIG. 7

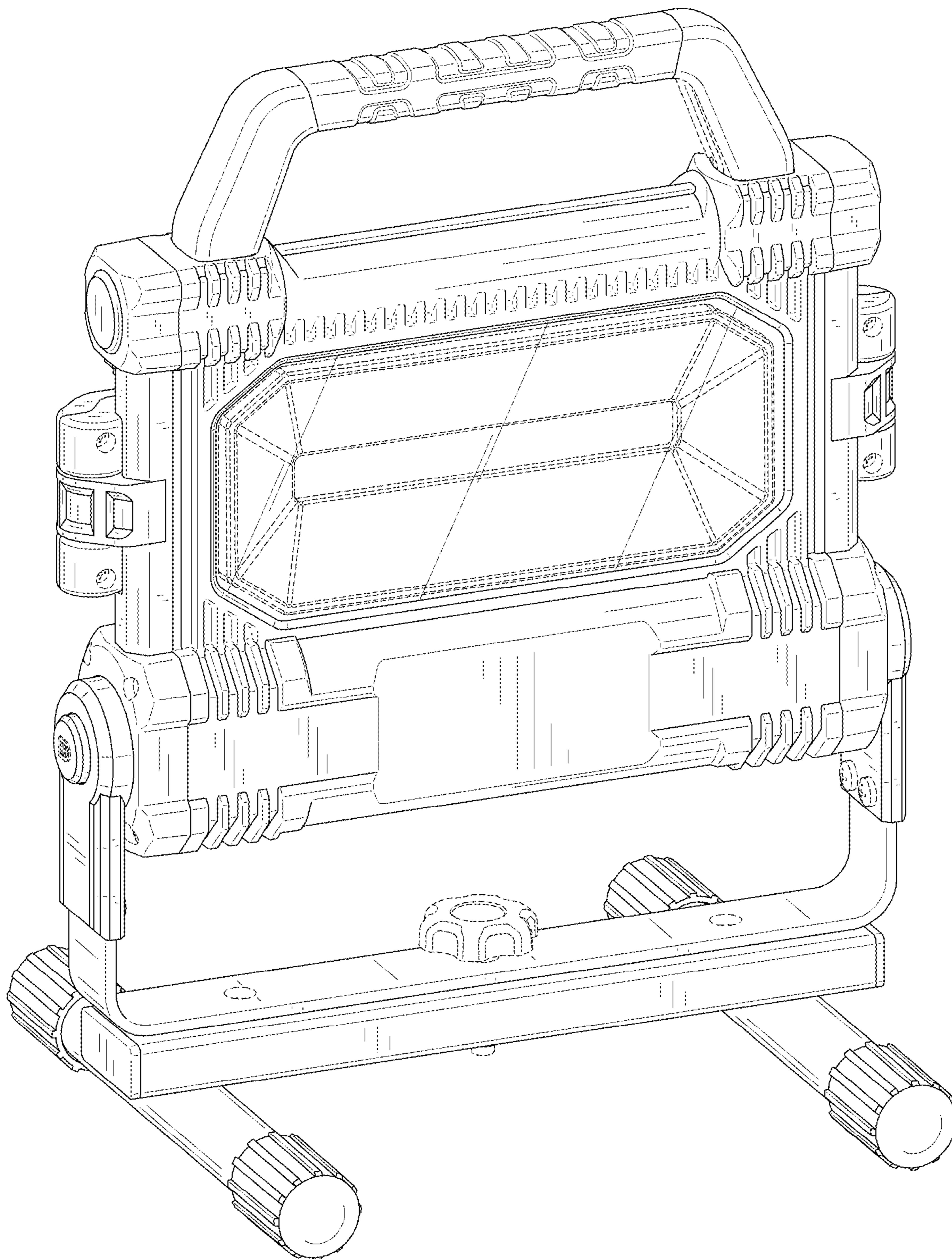


FIG. 8



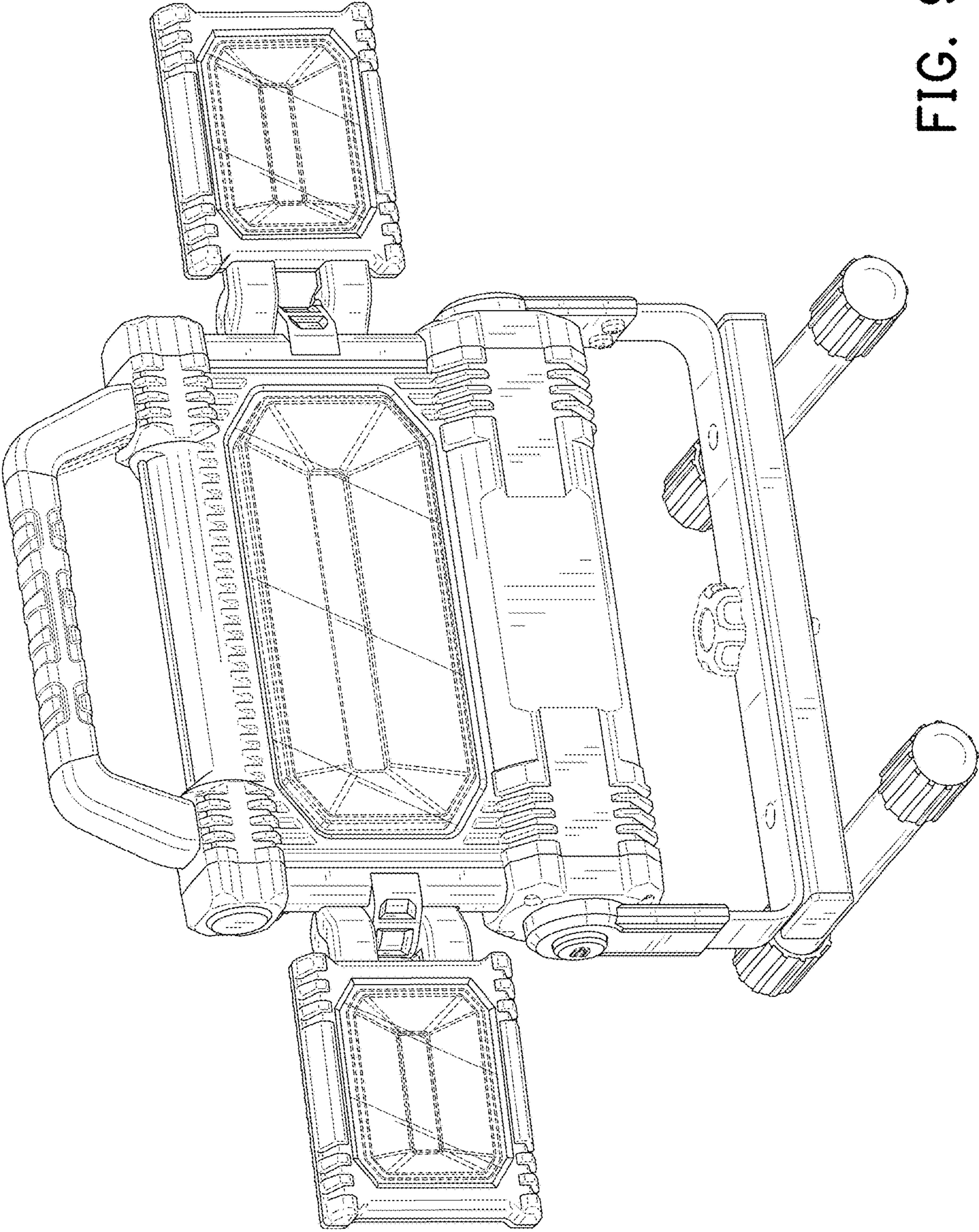


FIG. 9