



US00D883544S

(12) **United States Design Patent**
Proeber

(10) **Patent No.:** **US D883,544 S**

(45) **Date of Patent:** **** May 5, 2020**

(54) **LIGHT**

(71) Applicant: **MILWAUKEE ELECTRIC TOOL CORPORATION**, Brookfield, WI (US)

(72) Inventor: **David Proeber**, Milwaukee, WI (US)

(73) Assignee: **Milwaukee Electric Tool Corporation**, Brookfield, WI (US)

(**) Term: **15 Years**

(21) Appl. No.: **29/640,905**

(22) Filed: **Mar. 19, 2018**

(51) **LOC (12) Cl.** **26-02**

(52) **U.S. Cl.**
USPC **D26/42**

(58) **Field of Classification Search**
USPC D12/86, 90-92, 114, 163, 169, 171-173,
D12/181, 190, 196, 197, 199, 400;
D26/28-36
CPC ... B62J 6/02; B62J 6/00; B60Q 3/0279; F21S
48/00; F21S 48/10; F21S 48/115; F21S
48/225; F21S 48/1233; F21S 48/1266;
F21S 48/1388; F21S 48/2268; F21V
21/04

See application file for complete search history.

(56) **References Cited**

U.S. PATENT DOCUMENTS

4,938,440	A	7/1990	Weinfield	
5,205,645	A	4/1993	Lee	
6,354,720	B2	3/2002	Grossman et al.	
6,986,590	B1	1/2006	Padden	
7,021,789	B2	4/2006	Dalton et al.	
7,121,688	B2	10/2006	Rempel	
D558,369	S *	12/2007	O'Hern	D26/42
D588,733	S *	3/2009	O'Hern	D26/42
7,524,081	B2	4/2009	Dalton et al.	
D593,236	S *	5/2009	Ng	D26/37
7,618,153	B2	11/2009	O'Hern	

7,621,652	B2	11/2009	Zick	
RE41,795	E	10/2010	Dalton et al.	
7,850,331	B2	12/2010	Dalton et al.	
D636,915	S *	4/2011	Bryant	F21L 4/08 D26/42
7,918,585	B2	4/2011	Tucker	
D638,153	S *	5/2011	Christ	D26/42

(Continued)

FOREIGN PATENT DOCUMENTS

CN	201166273	12/2008
CN	201827664	5/2011

(Continued)

OTHER PUBLICATIONS

International Search Report and Written Opinion for Related Application No. PCT/US2019/022923 dated Jul. 31, 2019 (21 pages).

Primary Examiner — Philip S Hyder
Assistant Examiner — Cary M Robinson
(74) *Attorney, Agent, or Firm* — Michael Best & Friedrich LLP

(57) **CLAIM**

I claim the ornamental design for a light, as shown and described.

DESCRIPTION

FIG. 1 is a perspective view of a light embodying the invention.

FIG. 2 is a rear view of the light of FIG. 1.

FIG. 3 is a front view of the light of FIG. 1.

FIG. 4 is a first side view of the light of FIG. 1.

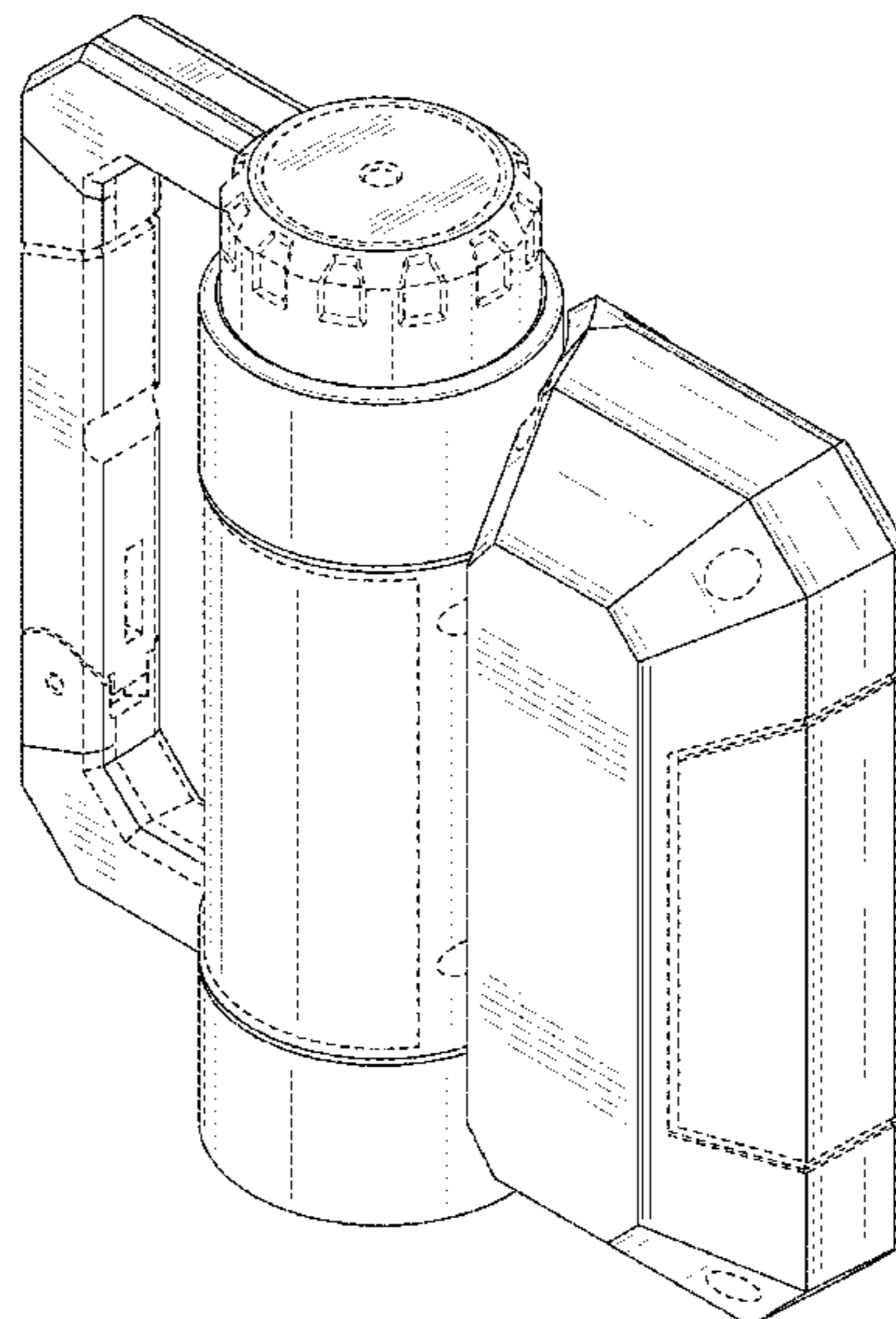
FIG. 5 is a second side view of the light of FIG. 1.

FIG. 6 is a third side view of the light of FIG. 1; and,

FIG. 7 is a fourth side view of the light of FIG. 1.

Portions of the light shown in broken lines are for illustrative purposes only and form no part of the claimed design.

1 Claim, 7 Drawing Sheets



(56)

References Cited

U.S. PATENT DOCUMENTS

7,954,980 B2 6/2011 Bryant et al.
 8,025,418 B2 9/2011 Zick
 8,215,792 B2 7/2012 Dalton et al.
 8,430,529 B2* 4/2013 Christ F21V 21/0925
 362/249.03
 D700,382 S * 2/2014 Christ D26/41
 8,721,120 B2 5/2014 Christ et al.
 9,046,231 B2* 6/2015 Christ F21L 4/08
 D763,492 S * 8/2016 Bryant D26/37
 9,482,395 B2* 11/2016 Ellingson F21V 3/06
 10,072,829 B1* 9/2018 Christ F21L 4/04
 D844,866 S * 4/2019 Christ D26/37
 D858,832 S * 9/2019 Dorman F21V 23/0414
 D26/37
 D870,954 S * 12/2019 Gall D26/104
 2005/0007769 A1 1/2005 Bonzer et al.
 2006/0077670 A1 4/2006 Yuen
 2010/0238653 A1 9/2010 Pelletier et al.
 2010/0277096 A1 11/2010 Kim
 2011/0075405 A1 3/2011 Dalton et al.
 2011/0299275 A1 12/2011 Fuchs et al.
 2014/0126192 A1 5/2014 Ancona et al.
 2014/0334155 A1 11/2014 Christ et al.

2017/0108197 A1 4/2017 Cacciabeve
 2017/0130912 A1 5/2017 Keller
 2017/0159897 A1 6/2017 Paetz et al.

FOREIGN PATENT DOCUMENTS

CN 2018244664 5/2011
 CN 102401239 4/2012
 CN 102661490 9/2012
 CN 202691617 1/2013
 CN 203273320 11/2013
 CN 203375402 1/2014
 CN 204387915 6/2015
 CN 104964199 10/2015
 CN 204693058 10/2015
 CN 204693172 10/2015
 CN 204693173 10/2015
 CN 206207282 5/2017
 CN 206478580 9/2017
 CN 206682895 11/2017
 DE 9303588 7/1993
 DE 102013208907 11/2014
 DE 102014204971 11/2014
 DE 102015222433 5/2017
 EP 2998444 3/2016
 WO 2011024643 3/2011

* cited by examiner

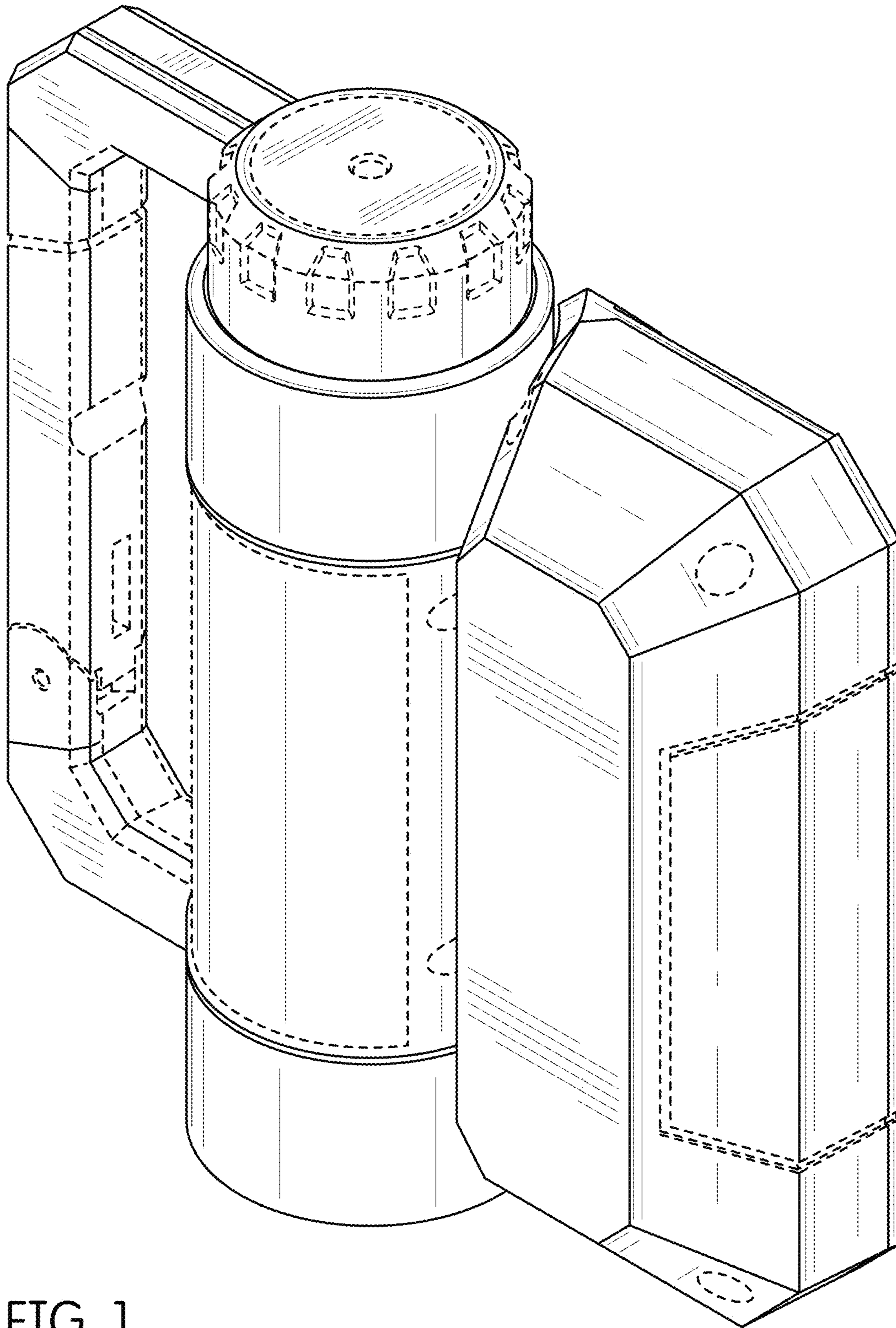


FIG. 1

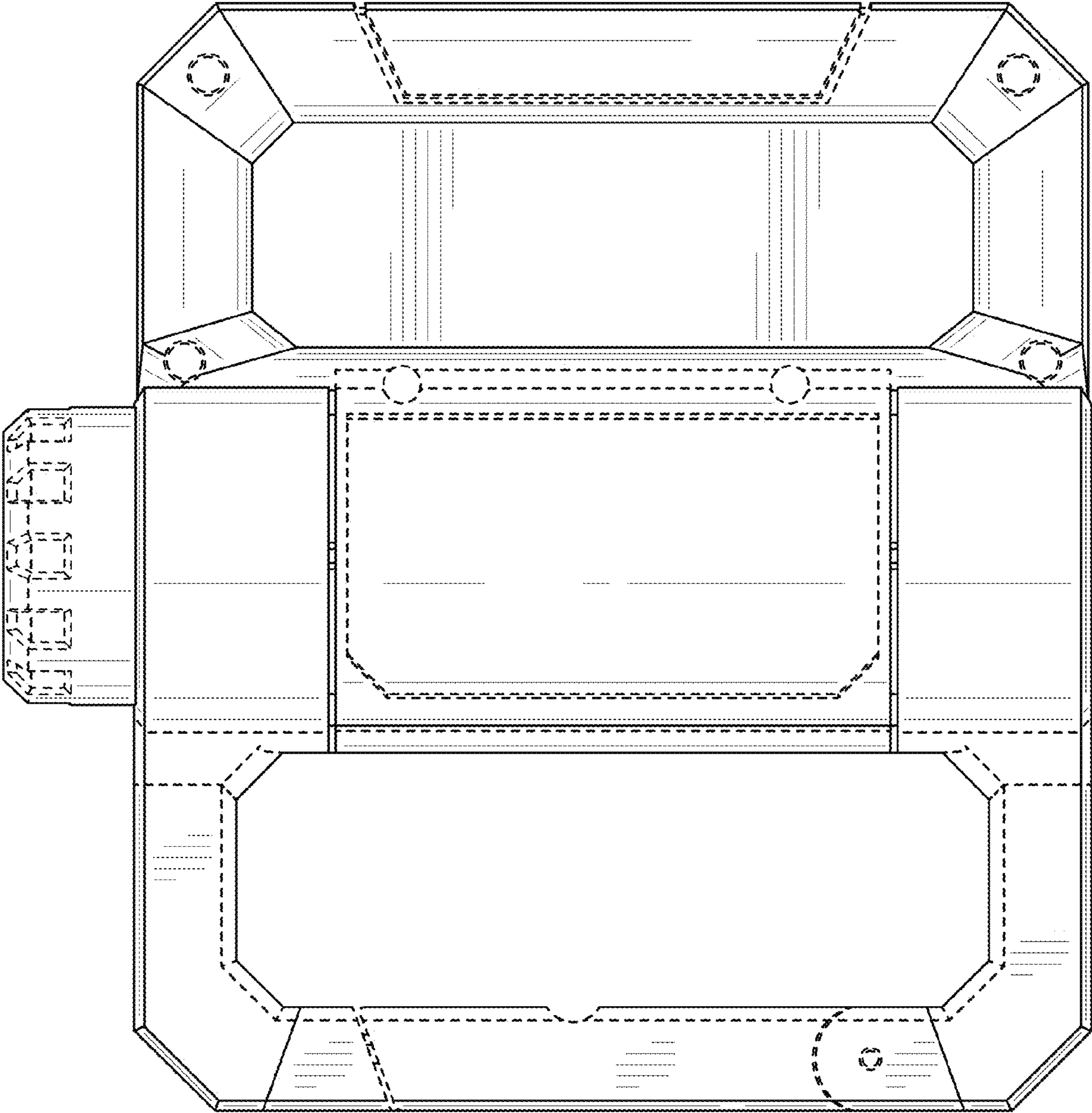


FIG. 2

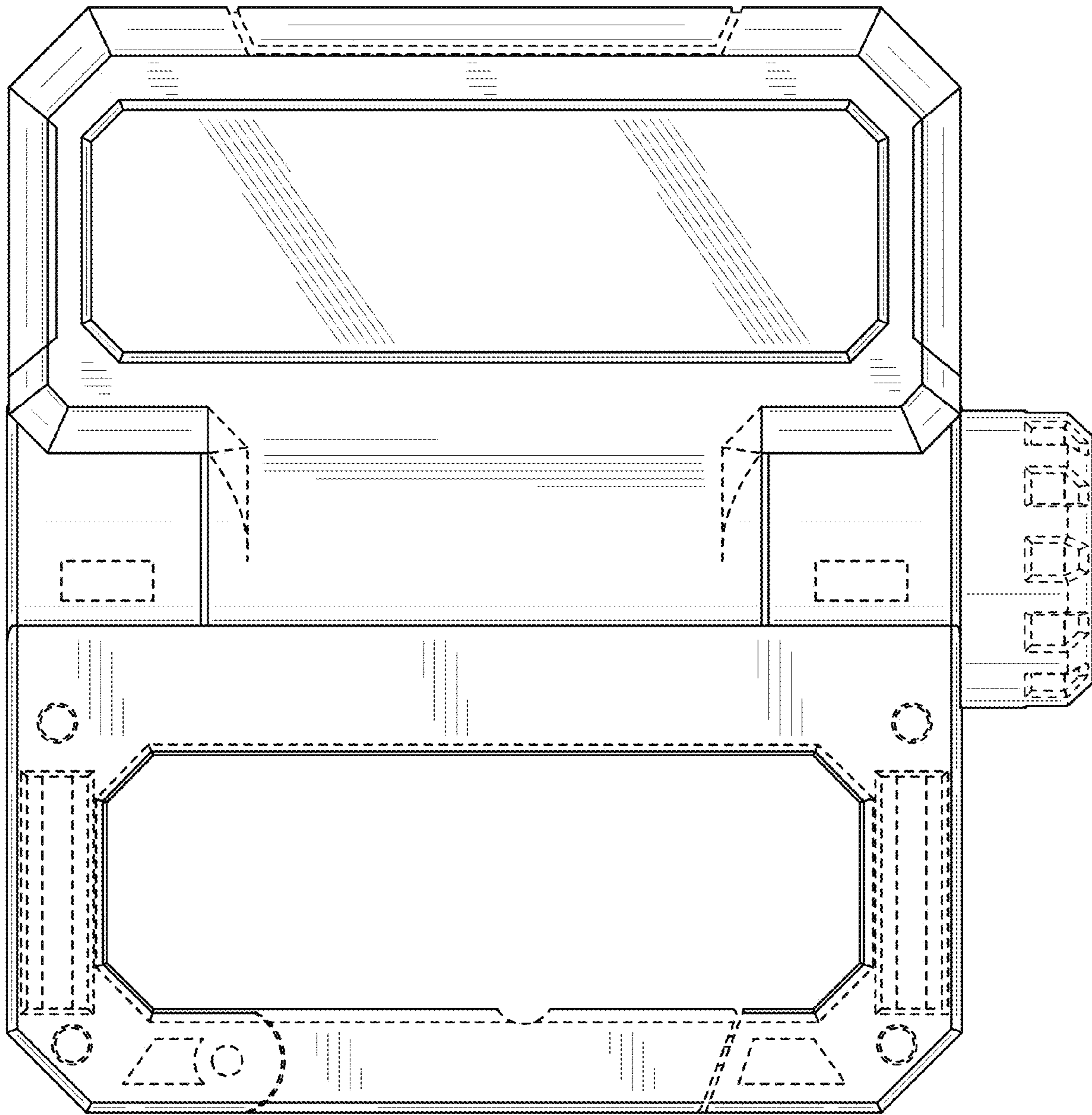


FIG. 3

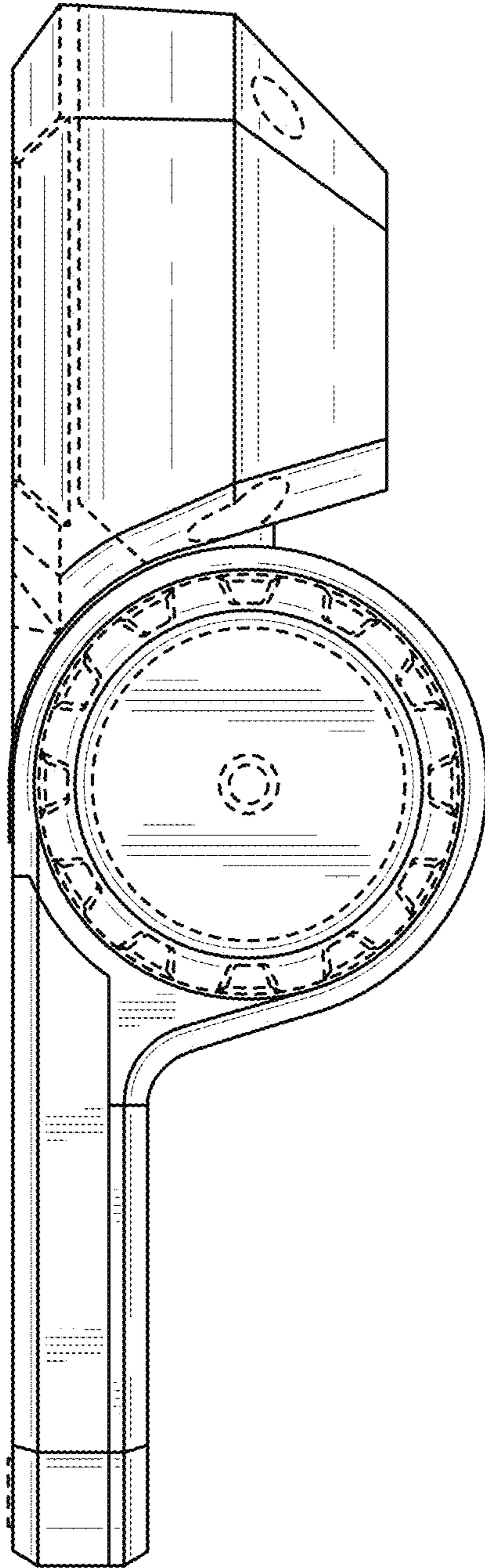


FIG. 4

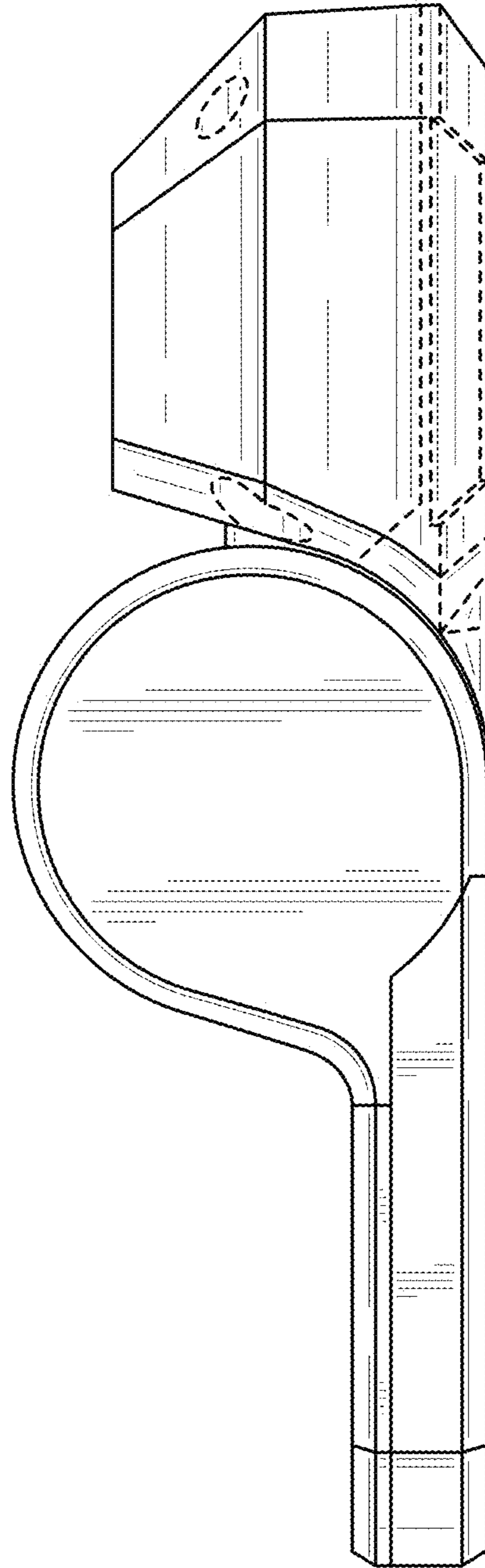


FIG. 5

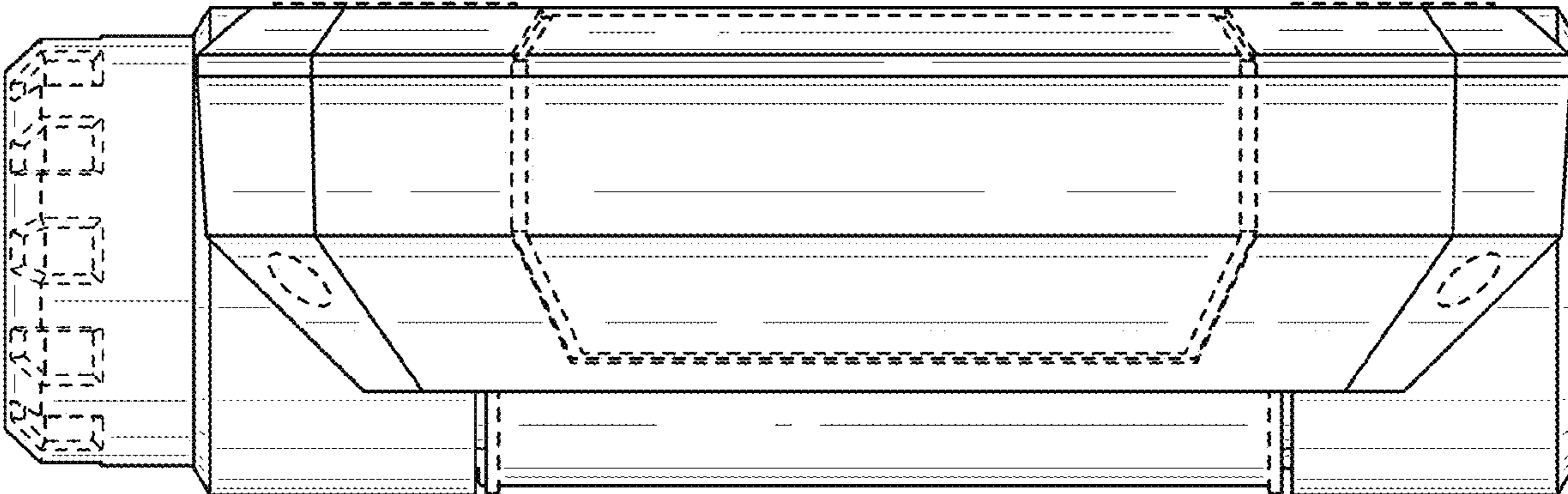


FIG. 6

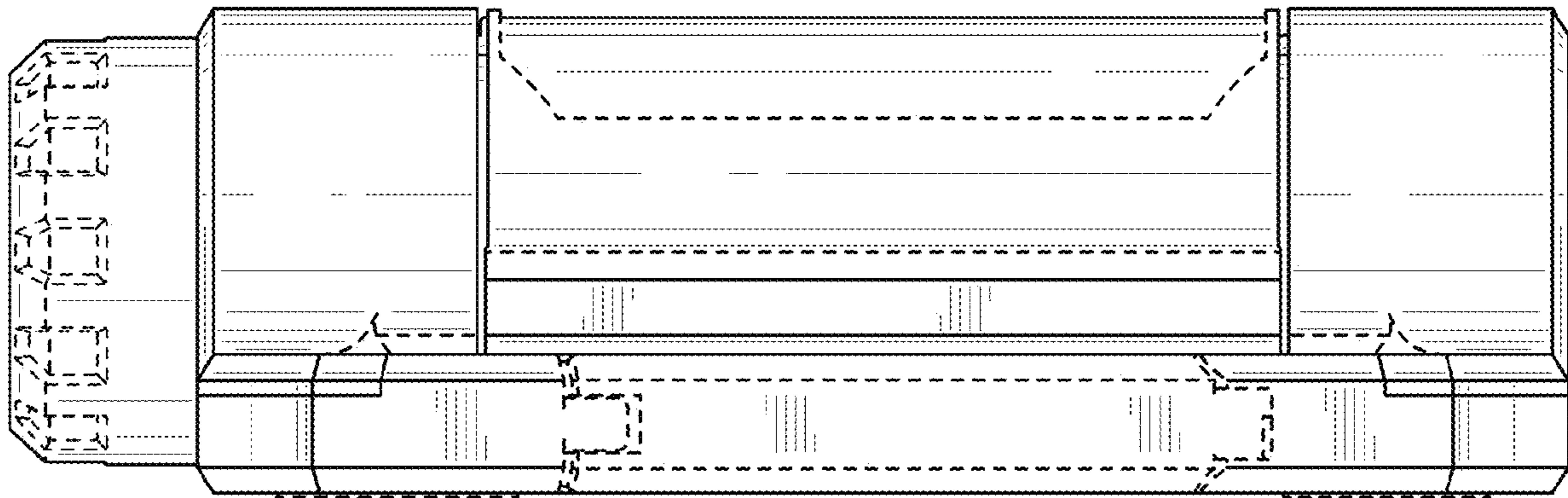


FIG. 7