



US00D883543S

(12) **United States Design Patent** (10) **Patent No.:** **US D883,543 S**
Vasquez et al. (45) **Date of Patent:** **** May 5, 2020**

(54) **SWIVEL TROUBLE LIGHT**
(71) Applicants: **Robert Vasquez**, Gilbert, AZ (US);
Brian Freeland, Chandler, AZ (US)
(72) Inventors: **Robert Vasquez**, Gilbert, AZ (US);
Brian Freeland, Chandler, AZ (US)
(73) Assignee: **SHAWSHANK LEDZ INC.**, Gilbert,
AZ (US)

D271,057 S 10/1983 Tirpik
D320,463 S 10/1991 Pettersen et al.
D322,680 S 12/1991 Baggio
D331,634 S 12/1992 Browne
D339,425 S 9/1993 Anderson
D344,150 S 2/1994 Umhauser
D351,479 S 10/1994 Meyer
D359,139 S * 6/1995 Kaczmarek D26/119
D389,931 S 1/1998 Kovacik et al.
D395,702 S * 6/1998 Flatt D23/314
(Continued)

(**) Term: **15 Years**

OTHER PUBLICATIONS

(21) Appl. No.: **29/646,402**

U.S. Trademark Serial No. 85424721; Mark—Magic Seasons Filing date: Sep. 16, 2011.

(22) Filed: **May 4, 2018**

(Continued)

(51) **LOC (12) Cl.** **26-02**

(52) **U.S. Cl.**
USPC **D26/37**

(58) **Field of Classification Search**
USPC D12/86, 90–92, 114, 163, 169, 171–173,
D12/181, 190, 196, 197, 199, 400;
D17/1, 222; D26/28–36, 139
CPC .. B62J 6/02; B62J 6/00; B60Q 3/0279; B60Q
3/104; B60Q 3/10408; B60Q 3/10466;
B60Q 3/12653; B60Q 3/128; F21S 48/00;
F21S 48/10; F21S 48/115; F21S 48/225;
F21S 48/1233; F21S 48/1266; F21S
48/1388; F21S 48/2268; F21V 21/04
See application file for complete search history.

Primary Examiner — Philip S Hyder
Assistant Examiner — Cary M Robinson
(74) *Attorney, Agent, or Firm* — Legalforce RAPC
Worldwide

(57) **CLAIM**

The ornamental design for a swivel trouble light, as shown and described.

DESCRIPTION

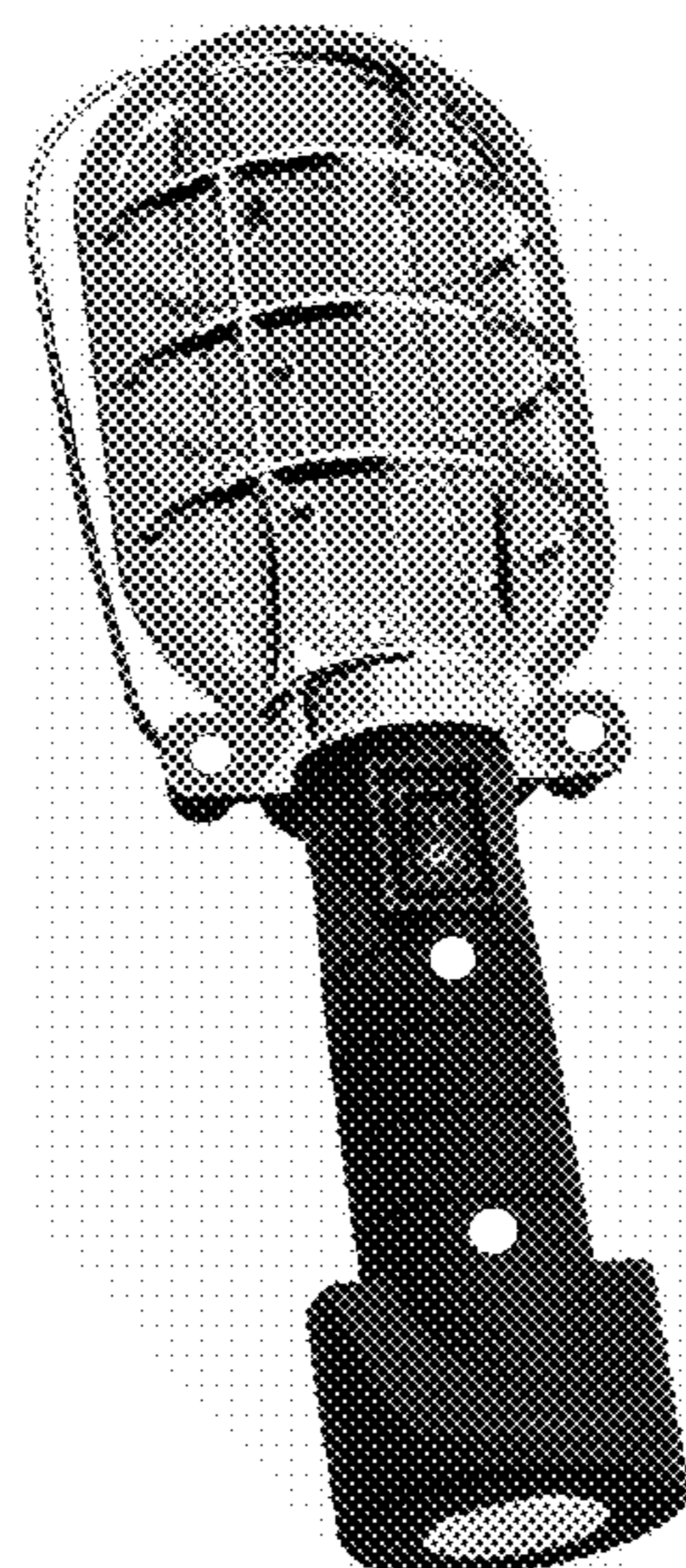
FIG. 1 is a front bottom perspective view for a swivel trouble light, showing our new design with hook folded in the back position;
FIG. 2 is a front elevational view thereof;
FIG. 3 is a rear elevational view thereof;
FIG. 4 is a left side perspective view thereof;
FIG. 5 is a right side perspective view thereof; and,
FIG. 6 is a front bottom perspective view thereof, with hook in extended position.
The broken lines illustrate portions of the swivel trouble light in which the design is embodied and form part of the claimed design.

(56) **References Cited**

U.S. PATENT DOCUMENTS

D120,924 S * 6/1940 Steber D26/65
2,774,048 A * 12/1956 Baenziger F21L 14/00
439/476.1
3,536,907 A * 10/1970 Kramer F21L 14/02
362/344
3,835,311 A * 9/1974 Kramer F21L 14/02
362/376
D244,715 S * 6/1977 Fierro D26/37
D251,751 S * 5/1979 Lawrence D26/119

1 Claim, 6 Drawing Sheets



(56)

References Cited

U.S. PATENT DOCUMENTS

D500,383 S	12/2004	Lin	
D556,926 S	12/2007	Thirouin et al.	
D590,529 S	4/2009	Jiang	
D648,054 S	11/2011	Zhuang et al.	
D739,586 S *	9/2015	Hong	D26/51
D750,303 S	2/2016	Levy et al.	
D757,971 S	5/2016	Kovacik et al.	
D768,321 S	10/2016	Inskeep	
D794,234 S	8/2017	Levy et al.	
D806,936 S *	1/2018	Jordan	D26/119
D810,335 S	2/2018	Levy et al.	

OTHER PUBLICATIONS

U.S. Trademark Serial No. 85424691; Mark—Blazing LEDz Filing date: Sep. 16, 2011 Publication date: Mar. 6, 2012.
U.S. Trademark Serial No. 85425045; Mark—Blacklight Master Filing date: Sep. 16, 2011 Publication date: Sep. 4, 2012.

U.S. Trademark Serial No. 87561976; Mark—Shawshank LEDz Filing date: Aug. 9, 2017 Publication date: Dec. 12, 2017.
U.S. Trademark Serial No. 85243364; Mark—Scorpion Master Filing date: Feb. 16, 2011 Publication date: Jun. 28, 2011.
“Portable Hanging Worklight Hang From Hook or Attach with Magnet”, by Shawshank LEDz, Found Online on [Jul. 18, 2018] https://images-na.ssl-images-amazon.com/images/I/61EPmTjGqfL._SL1497_.jpg.
“702464 COB 3W Triangle Swivel Work Light”, by Shawshank LEDz, Found Online on [Jul. 18, 2018] https://images-na.ssl-images-amazon.com/images/I/81rY5UFy5gL._SL1500_.jpg.
“Mini Cob Magnetic & Hook Troublelight Flashlight”, by Blazing LEDz, Found Online on [Jul. 18, 2018] https://images.homedepot-static.com/productImages/bb034dbb-a446-4ceb-852f-275fedc83bfc/svn/multi-blazing-ledz-flashlights-702465-64_1000.jpg.
“24 SMD LED Trouble Light”, by Grip, Found Online on [Jul. 18, 2018] <https://images-na.ssl-images-amazon.com/images/I/3148CZ9nu0L.jpg>.
“Battery Powered / 12V LED Work Licht with Magnetic Base”, by Motor Trend, Found Online on [Jul. 18, 2018] <https://img.yugster.com/uploads/image/image/57451/21LED.jpg>.

* cited by examiner

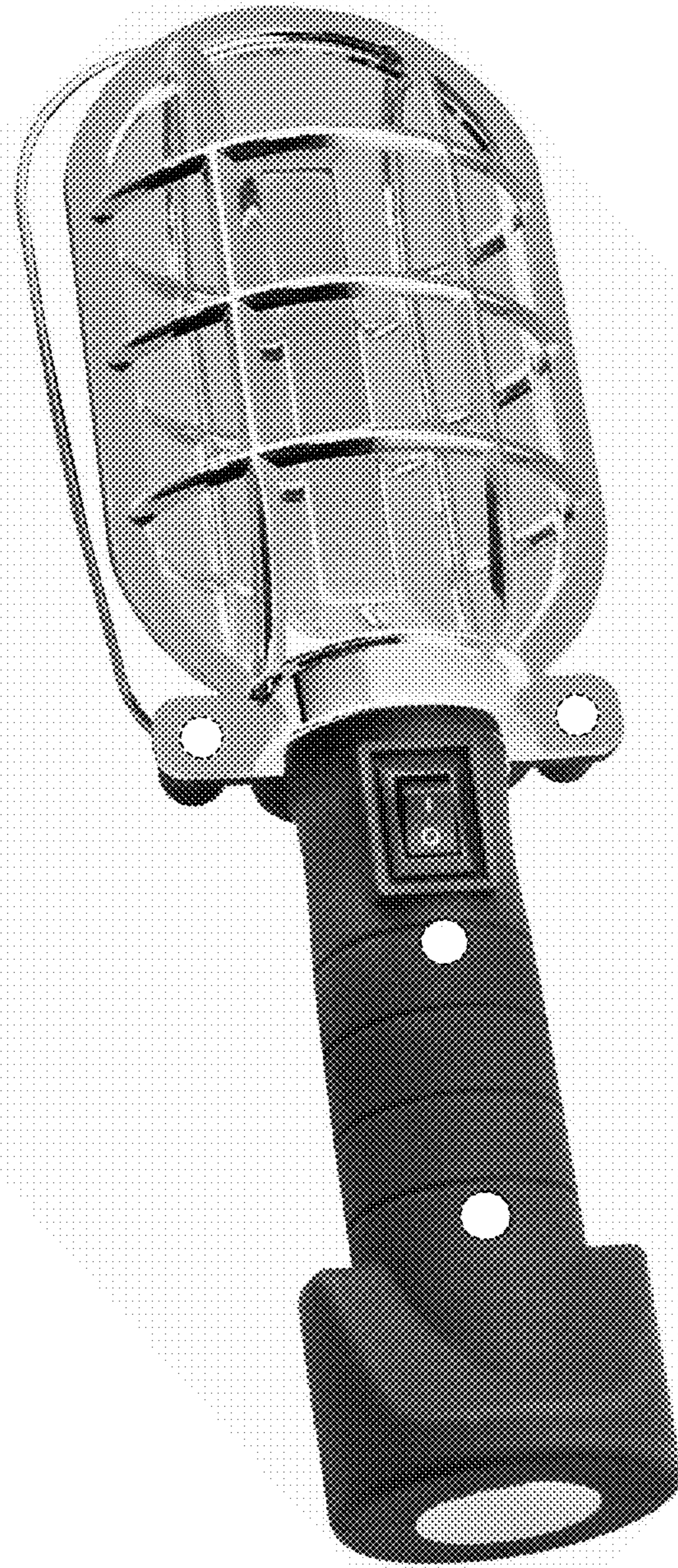


FIG. 1

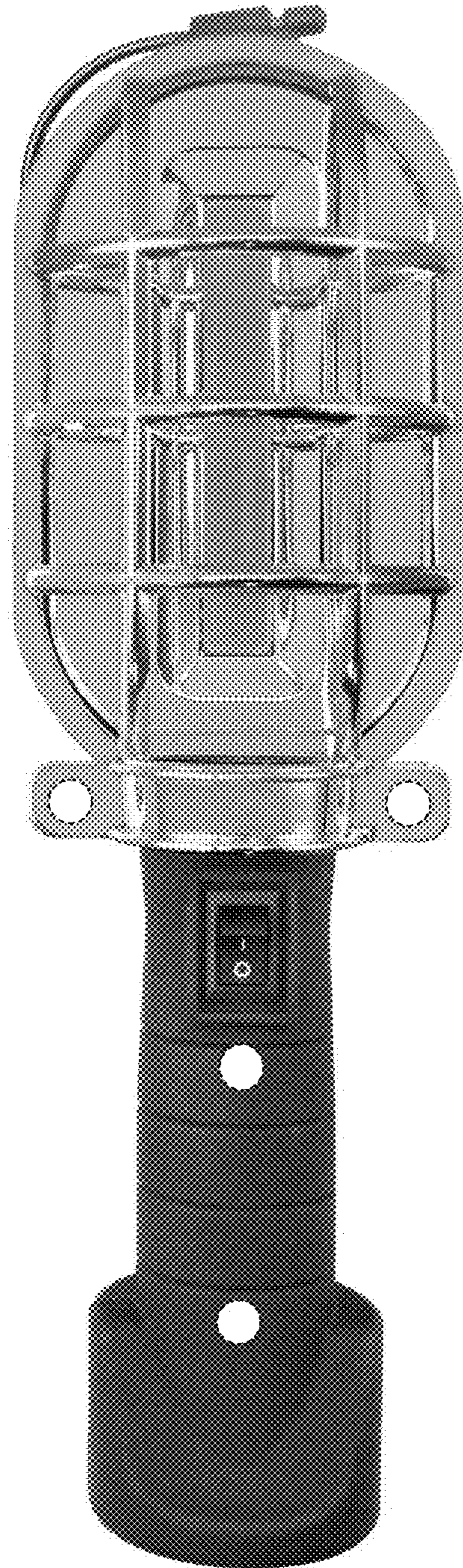


FIG. 2



FIG. 3

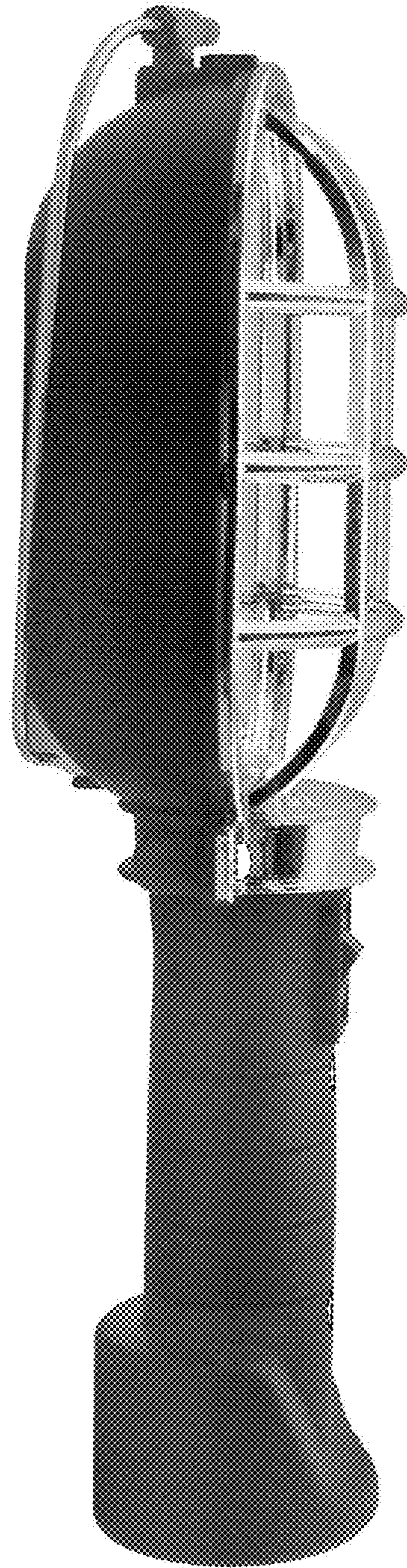


FIG. 4

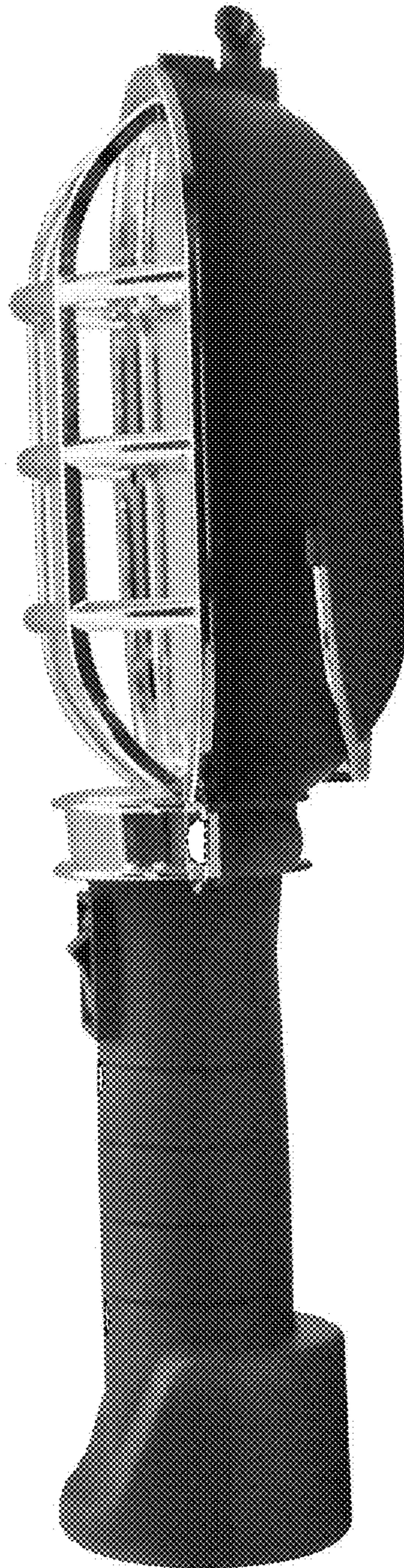


FIG. 5

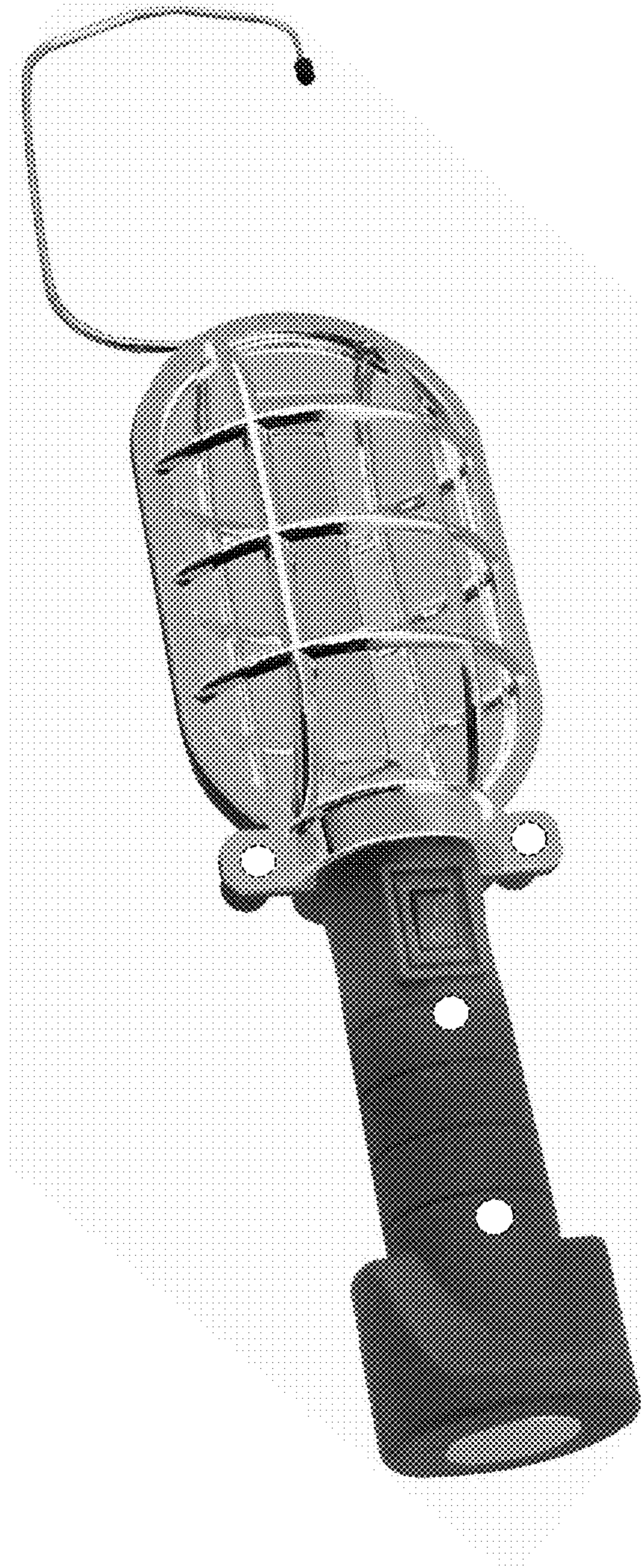


FIG. 6