



US00D883541S

(12) **United States Design Patent** (10) **Patent No.:** **US D883,541 S**
Johnson et al. (45) **Date of Patent:** **** May 5, 2020**

(54) **AUXILIARY LIGHT**

FOREIGN PATENT DOCUMENTS

(71) Applicant: **Bestop Baja, LLC**, Louisville, CO (US)

TW D161541 S 7/2014
TW D175903 S 5/2016
TW D188091 S 1/2018

(72) Inventors: **Christopher C. Johnson**, San Marcos, CA (US); **Alan R. Roach**, Escondido, CA (US)

OTHER PUBLICATIONS

(73) Assignee: **Bestop Baja, LLC**, Louisville, CO (US)

“YouTube—The LP9 from Baja Designs.” Found online Jul. 30, 2019 at www.youtube.com. Video published Aug. 29, 2017. Retrieved from URL: https://www.youtube.com/watch?v=2NSPgpvC3yc (Year: 2017).*

(**) Term: **15 Years**

(Continued)

(21) Appl. No.: **29/630,439**

Primary Examiner — Mary Ann Calabrese

(22) Filed: **Dec. 21, 2017**

Assistant Examiner — Katelin G Kloberg

(51) **LOC (12) Cl.** **26-06**

(74) *Attorney, Agent, or Firm* — Warn Partners, P.C.

(52) **U.S. Cl.**
USPC **D26/36; D26/28**

(57) **CLAIM**

(58) **Field of Classification Search**
USPC D26/26, 28, 36, 63, 72, 76
CPC B60Q 1/18; B60Q 1/24; F21S 41/141;
F21W 2102/00

The ornamental design for an auxiliary light, as shown and described.

See application file for complete search history.

DESCRIPTION

(56) **References Cited**

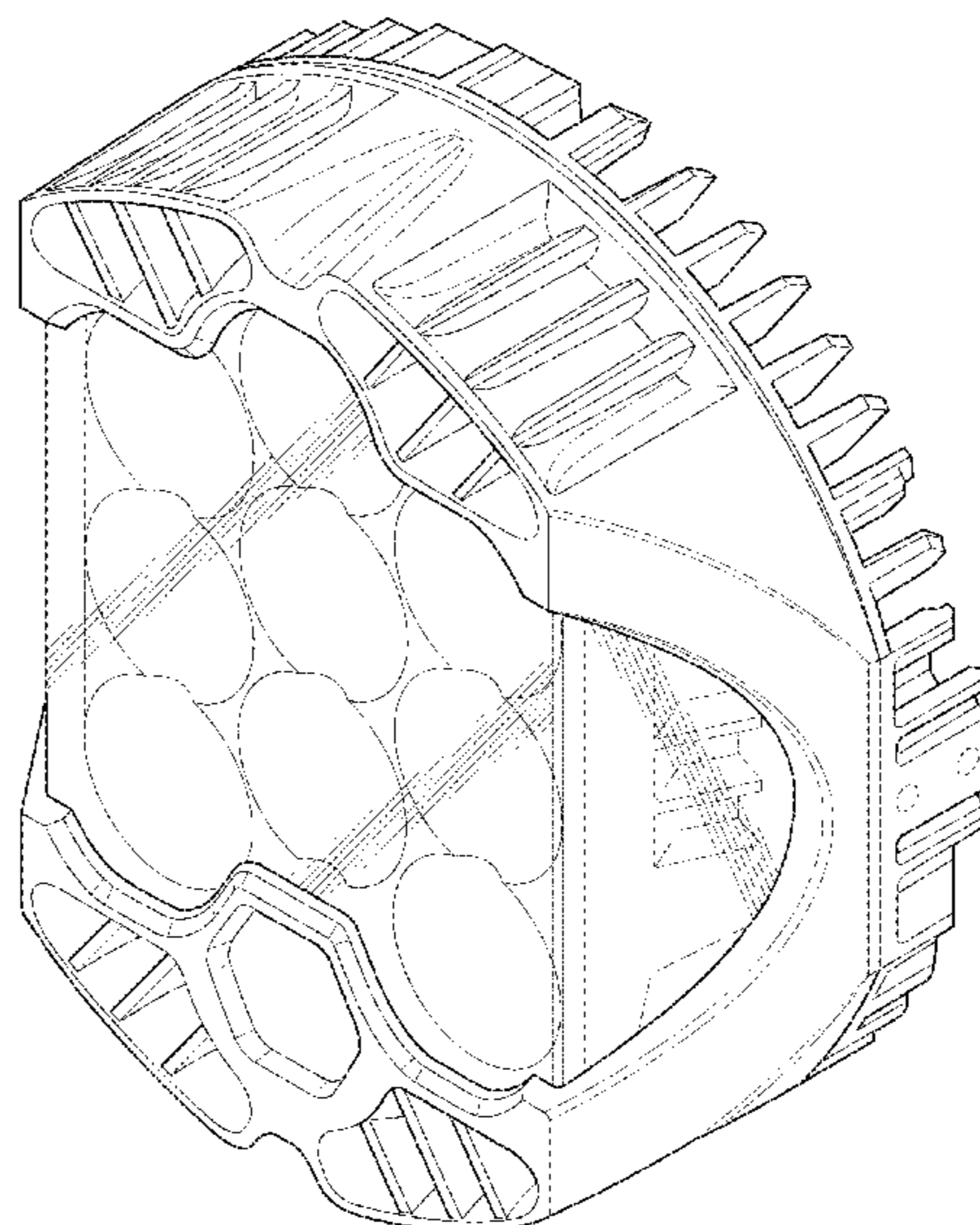
U.S. PATENT DOCUMENTS

D625,452 S *	10/2010	Yamada	D26/63
D634,871 S *	3/2011	Wooh	D26/63
D640,819 S	6/2011	Pan		
D689,232 S *	9/2013	Velazquez	F21V 23/009
				D26/63
D694,928 S *	12/2013	Chen	D26/63
D700,385 S *	2/2014	Quadri	D26/63
D702,866 S *	4/2014	Blincoe	D26/63
D712,077 S *	8/2014	Leban	D26/28
D725,806 S *	3/2015	Yakushi	D26/28
D737,482 S *	8/2015	Kuge	D26/28
D748,831 S *	2/2016	Fan	D26/28
D766,473 S *	9/2016	Riedel	D26/28
D799,080 S *	10/2017	Dennis	D26/28

(Continued)

FIG. 1 is a front perspective view of an auxiliary light, in accordance with the present invention;
FIG. 2 is a rear perspective view of the auxiliary light of FIG. 1, in accordance with the present invention;
FIG. 3 is a front elevation view of the auxiliary light of FIGS. 1-2, in accordance with the present invention;
FIG. 4 is a rear elevation view of the auxiliary light of FIGS. 1-3, in accordance with the present invention;
FIG. 5 is a right side elevation view of the auxiliary light of FIGS. 1-4, in accordance with the present invention;
FIG. 6 is a left side elevation view of the auxiliary light of FIGS. 1-5, in accordance with the present invention;
FIG. 7 is a top plan view of the auxiliary light of FIGS. 1-6, in accordance with the present invention; and,
FIG. 8 is a bottom plan view of the auxiliary light of FIGS. 1-7, in accordance with the present invention.

1 Claim, 6 Drawing Sheets



(56)

References Cited

U.S. PATENT DOCUMENTS

D802,197 S * 11/2017 Ding D26/72
D806,299 S * 12/2017 Gebhard D26/63
D815,318 S * 4/2018 LaMarche D26/28
D827,883 S * 9/2018 Deyaf D26/28
D845,532 S * 4/2019 Zhu D26/72
D849,293 S * 5/2019 Ko D26/36
D854,206 S * 7/2019 Yang D26/36
2019/0093851 A1 * 3/2019 Johnson B60Q 1/0023

OTHER PUBLICATIONS

“BajaDesigns LP9 LED Driving/Combo Light.” Found online Jul. 30, 2019 at www.amazon.com. Product first available Nov. 8, 2017. Retrieved from URL: <https://www.amazon.com/BajaDesigns-LP9-Driving-Combo-Light/dp/B0778XHGDW> (Year: 2017).*

“Baja Designs LP9 8" 105W/21W Round LED Light.” Found online Jul. 30, 2019 at www.carid.com. Product reviewed Apr. 23, 2018. Retrieved from URL: <https://www.carid.com/baja-designs/baja-designs-off-road-lights-669772111.html#reviews> (Year: 2018).*

“Side Shooter LED Pods, AAIWA.” Found online Jul. 30, 2019 at www.amazon.com. Product first available Apr. 18, 2019. Retrieved from URL: <https://tinyurl.com/y6gto6fp> (Year: 2019).*

Taiwan IPO Search Report for Taiwan Design Patent Application No. 107302183, Completed Aug. 27, 2018.

* cited by examiner

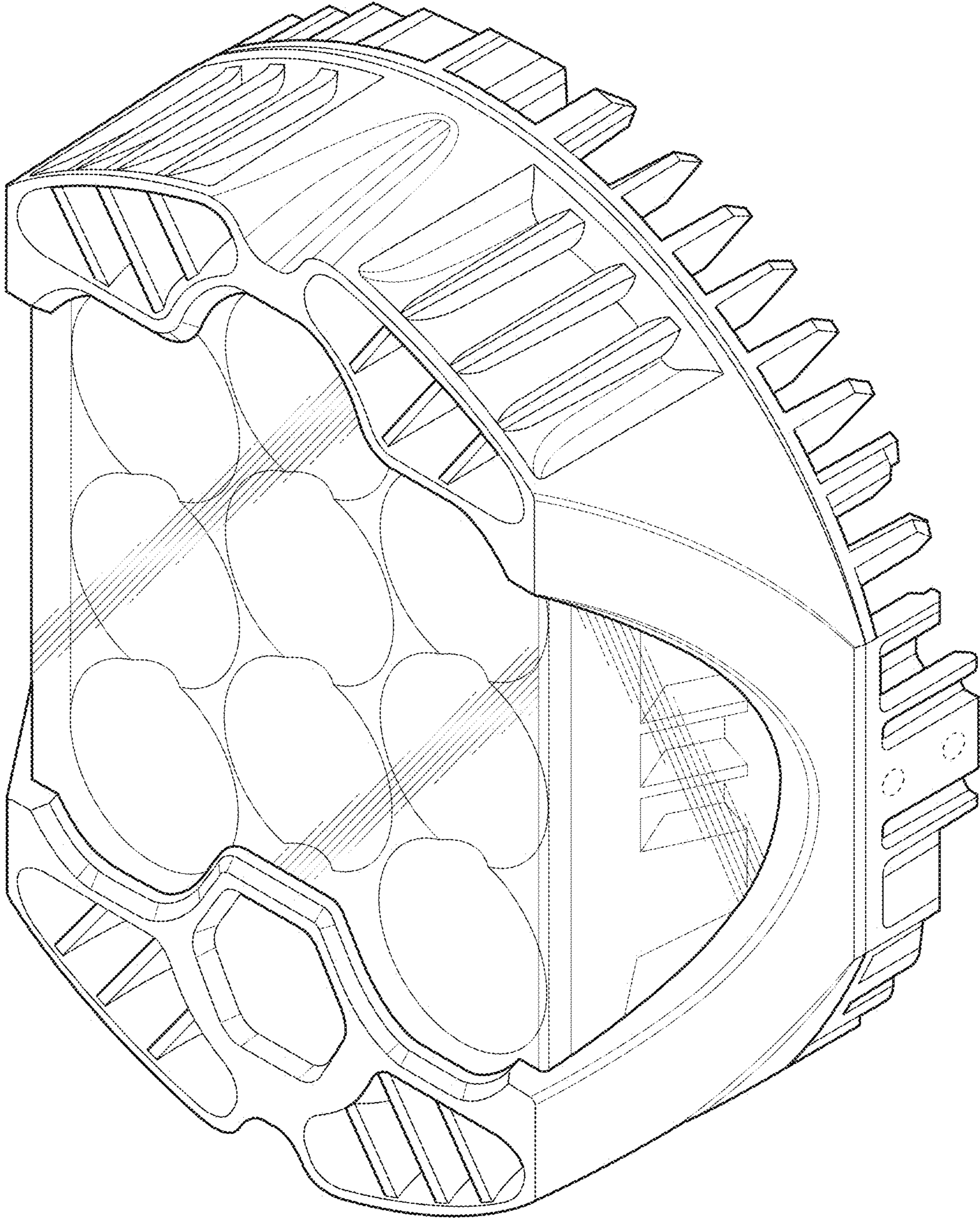


FIG. 1

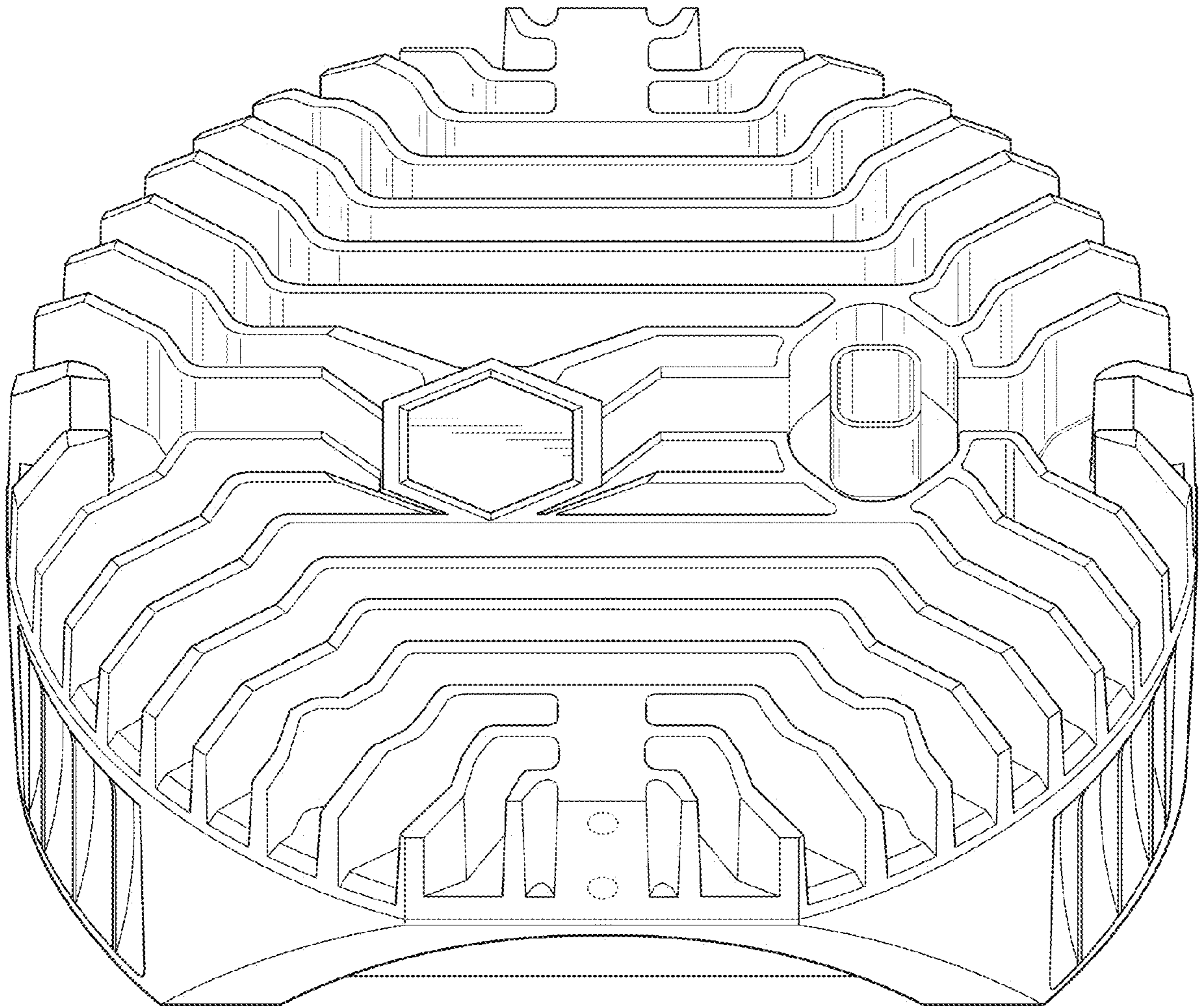


FIG. 2

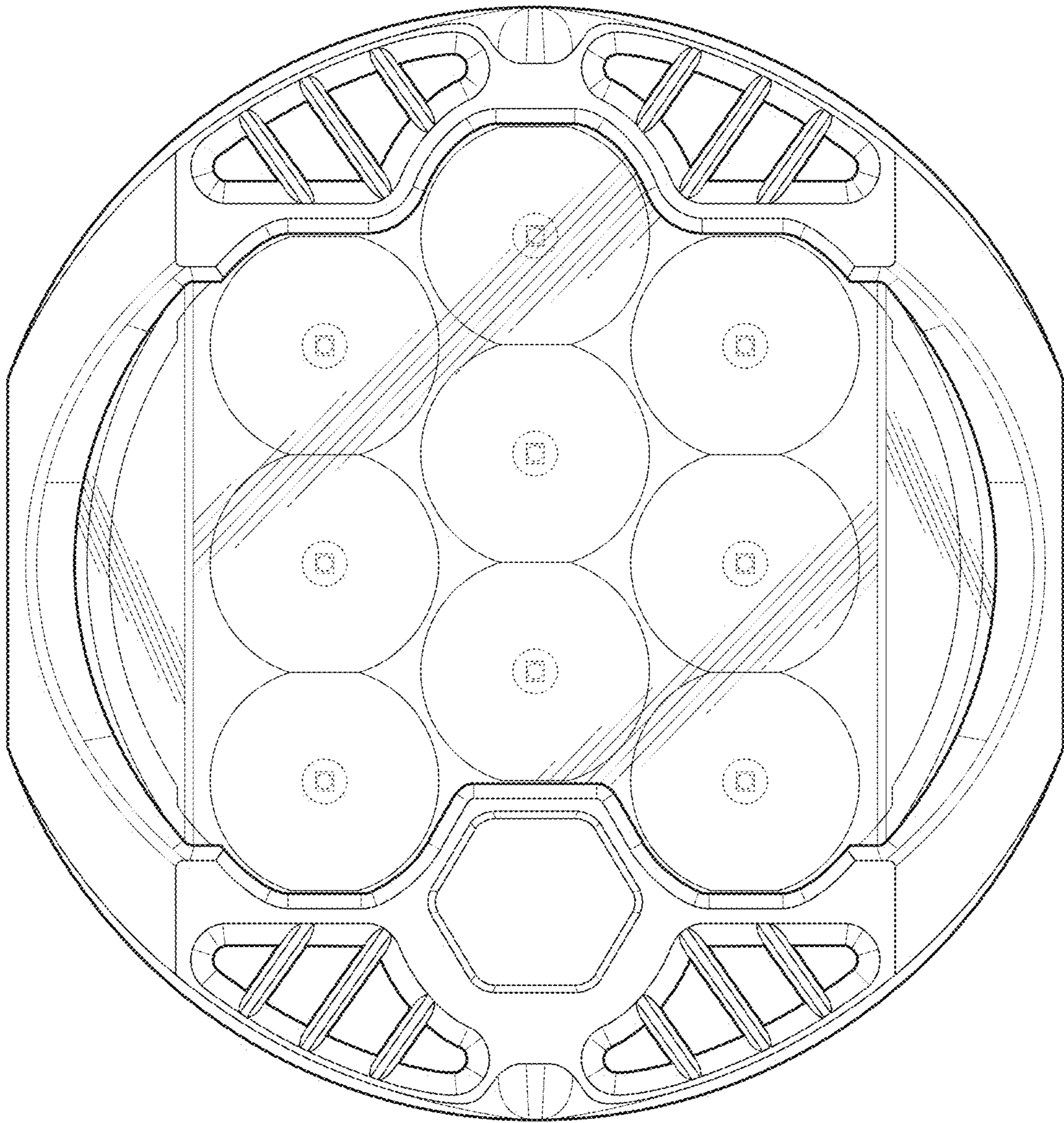


FIG. 3

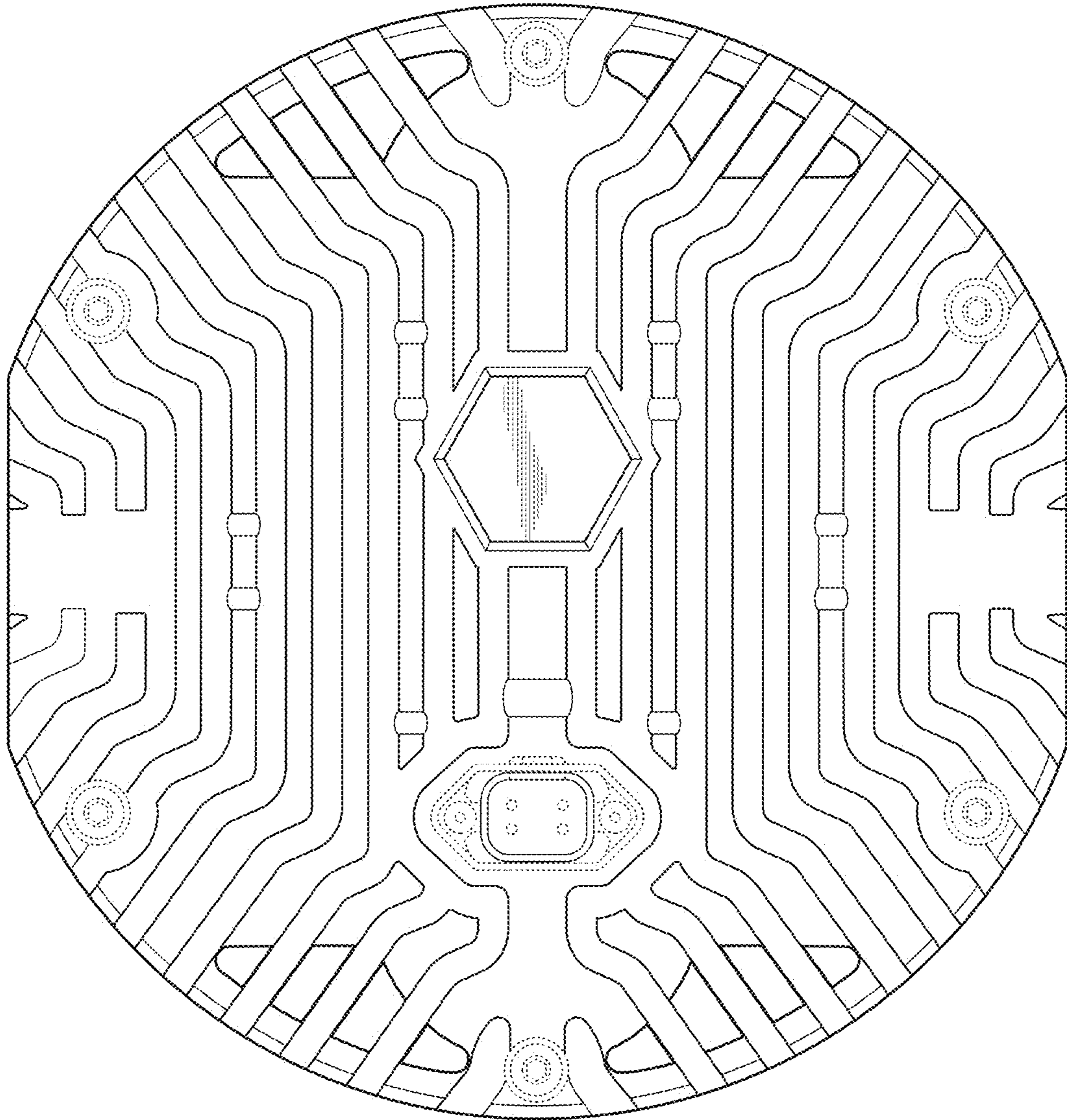


FIG. 4

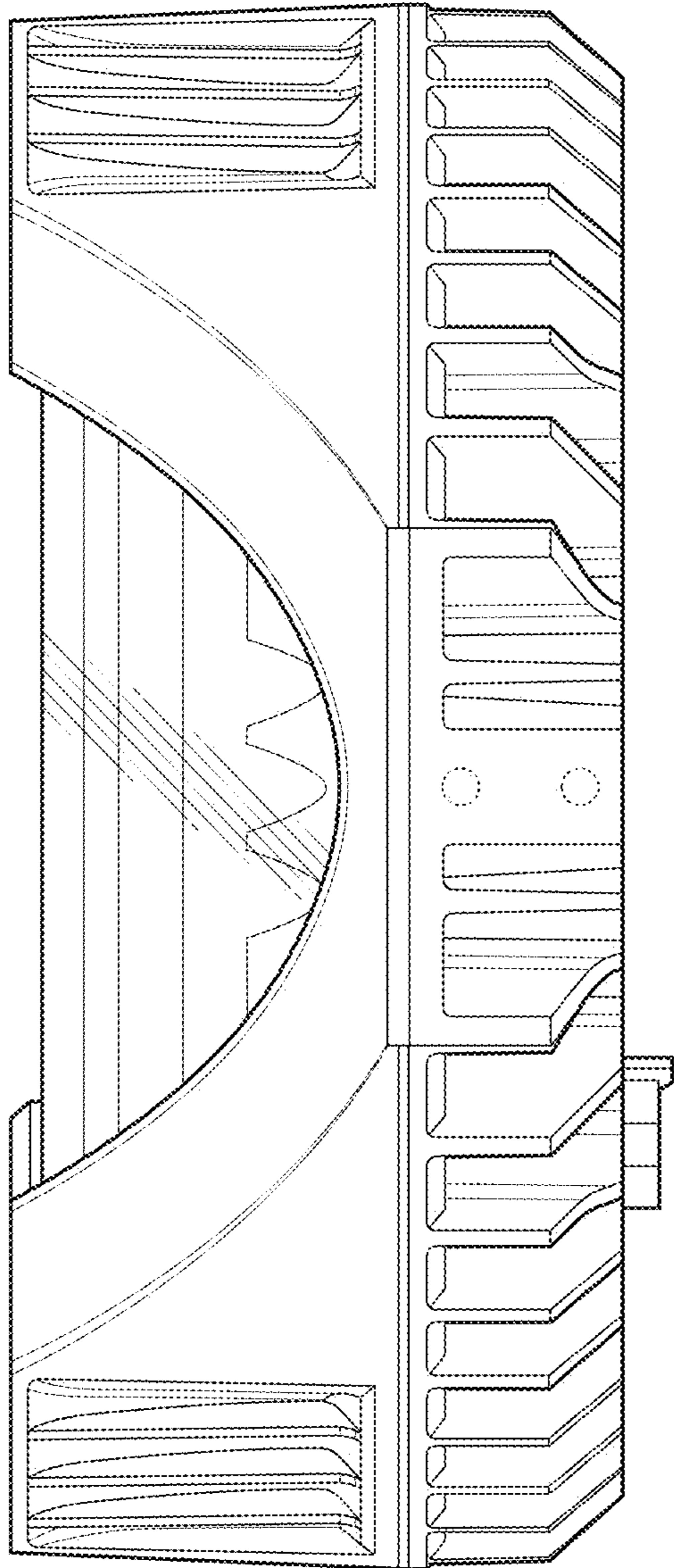


FIG. 5

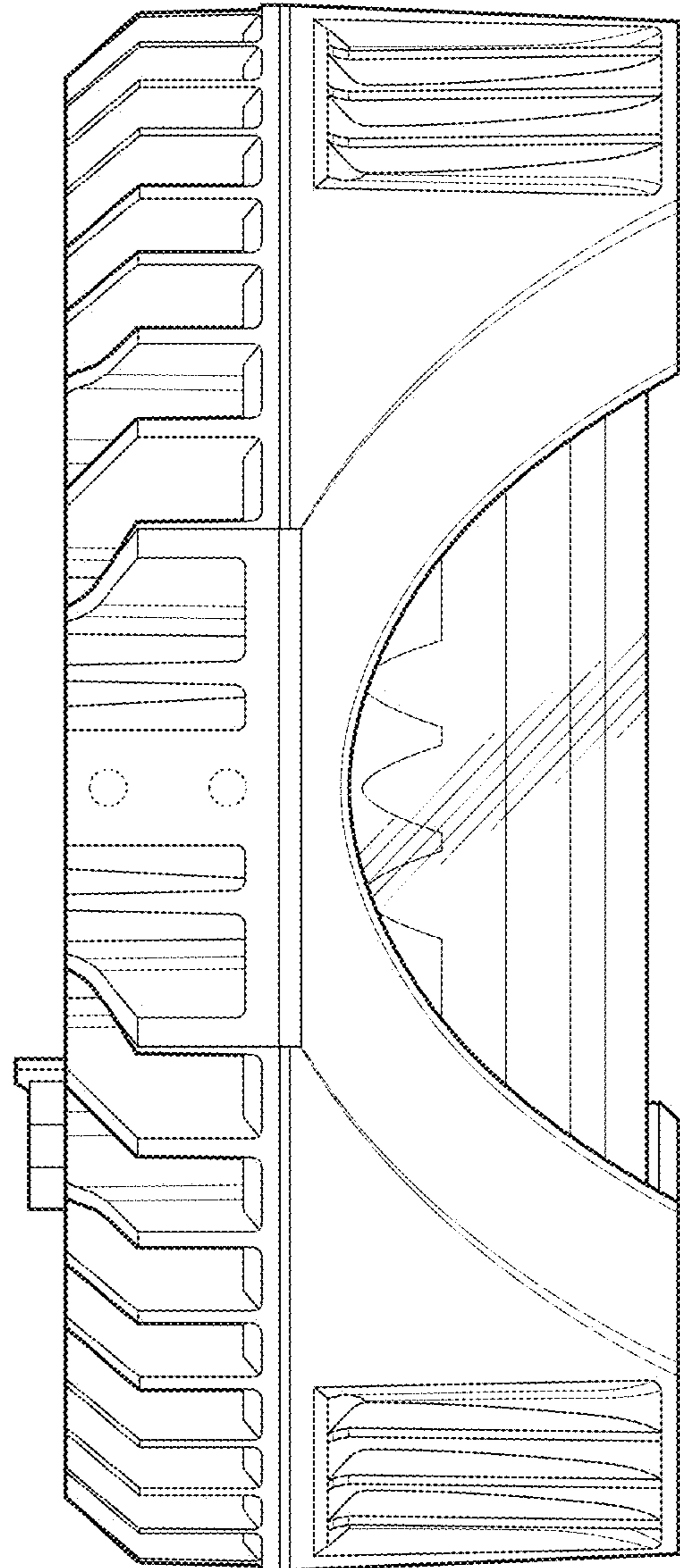


FIG. 6

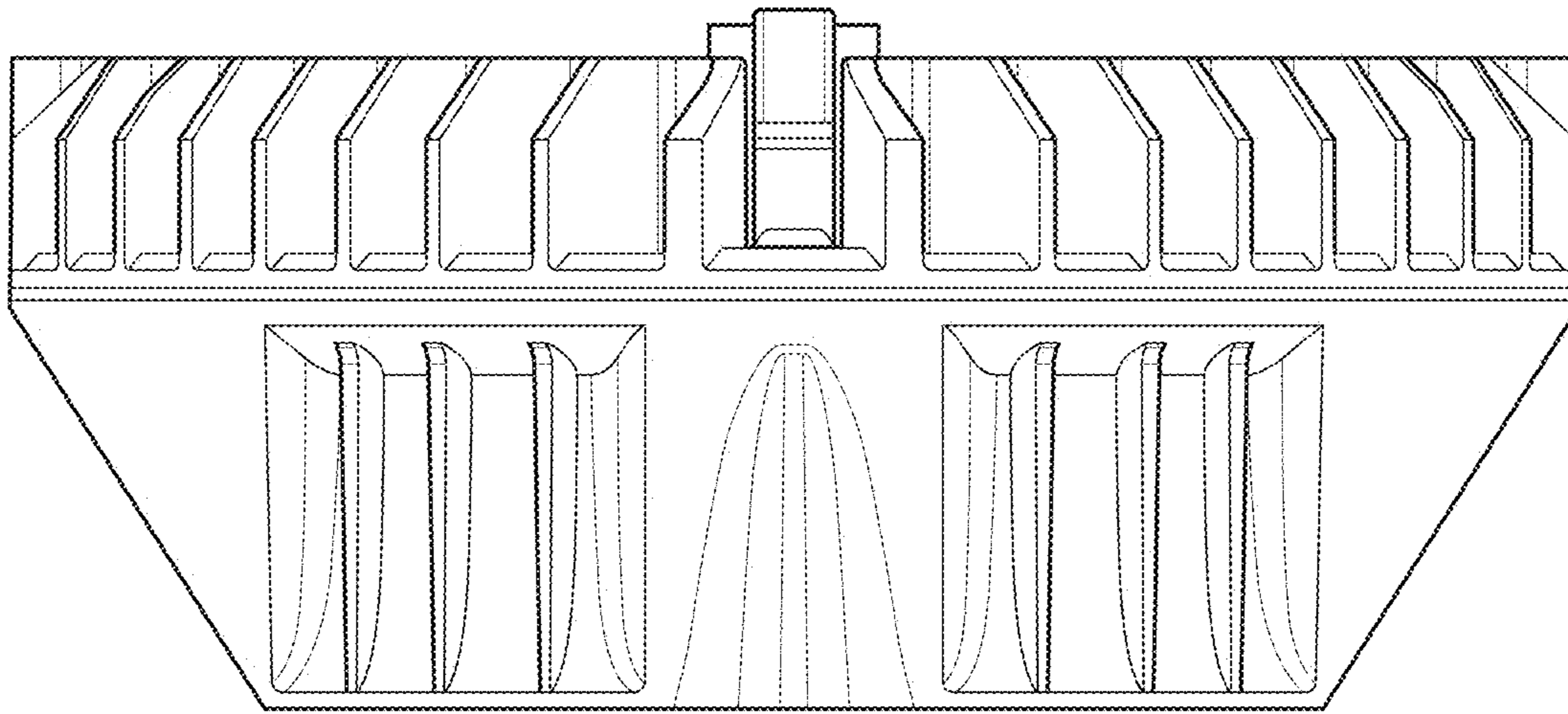


FIG. 7

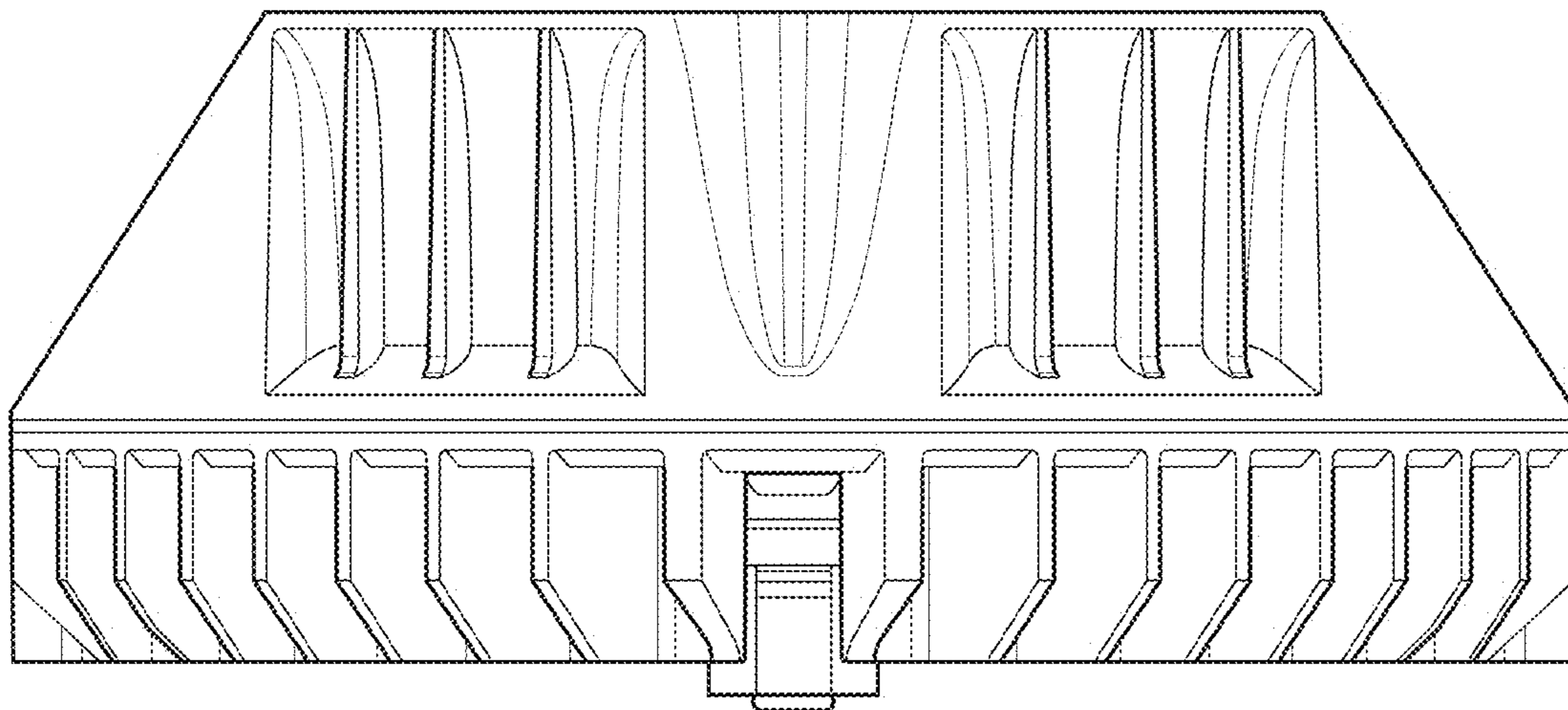


FIG. 8