

US00D883540S

(12) **United States Design Patent** (10) **Patent No.:** **US D883,540 S**  
**Lin** (45) **Date of Patent:** **\*\* May 5, 2020**

(54) **AUTOMOBILE FOG LIGHT**  
(71) Applicant: **Chi-Chung Lin**, Hsinchu (TW)  
(72) Inventor: **Chi-Chung Lin**, Hsinchu (TW)  
(\*\*) Term: **15 Years**  
(21) Appl. No.: **29/714,519**  
(22) Filed: **Nov. 23, 2019**  
(51) **LOC (12) Cl.** ..... **26-06**  
(52) **U.S. Cl.**  
USPC ..... **D26/28**  
(58) **Field of Classification Search**  
USPC ..... D26/28-36, 139  
CPC ..... F21S 48/00; F21S 48/10; F21S 48/115;  
F21S 48/225; F21S 48/1233; F21S  
48/1266; F21S 48/1388; F21S 48/2268;  
F21V 21/04; B60Q 9/13; B60Q 9/135;  
B60Q 9/1375  
See application file for complete search history.

D308,110 S 5/1990 Ziaylek, Jr.  
D324,429 S 3/1992 Davis  
D343,241 S 1/1994 Baader et al.  
D347,484 S 5/1994 Tsushi  
D351,670 S 10/1994 Tsai  
D355,500 S 2/1995 Mayer  
D357,758 S 4/1995 Lipps et al.  
D389,592 S 1/1998 Reiser  
D400,274 S 10/1998 Ziaylek, Jr. et al.  
D401,368 S 11/1998 Baader et al.  
D423,699 S 4/2000 Hayashi  
D425,224 S 5/2000 Macri  
D461,265 S 8/2002 Hill  
D463,590 S 9/2002 Huang  
D490,172 S \* 5/2004 Yamamoto ..... D26/28  
D550,380 S 9/2007 Lin  
D560,832 S 1/2008 Hsu  
D561,358 S 2/2008 Tachibana  
D563,576 S 3/2008 Hanaoka  
D564,683 S \* 3/2008 Roach ..... D26/28  
D570,007 S 5/2008 Hsu  
D593,232 S 5/2009 Koman et al.  
D602,185 S 10/2009 Chang  
D603,537 S 11/2009 Rowehl et al.  
(Continued)

*Primary Examiner* — Marcus A Jackson  
(74) *Attorney, Agent, or Firm* — Alexander Chen, Esq.

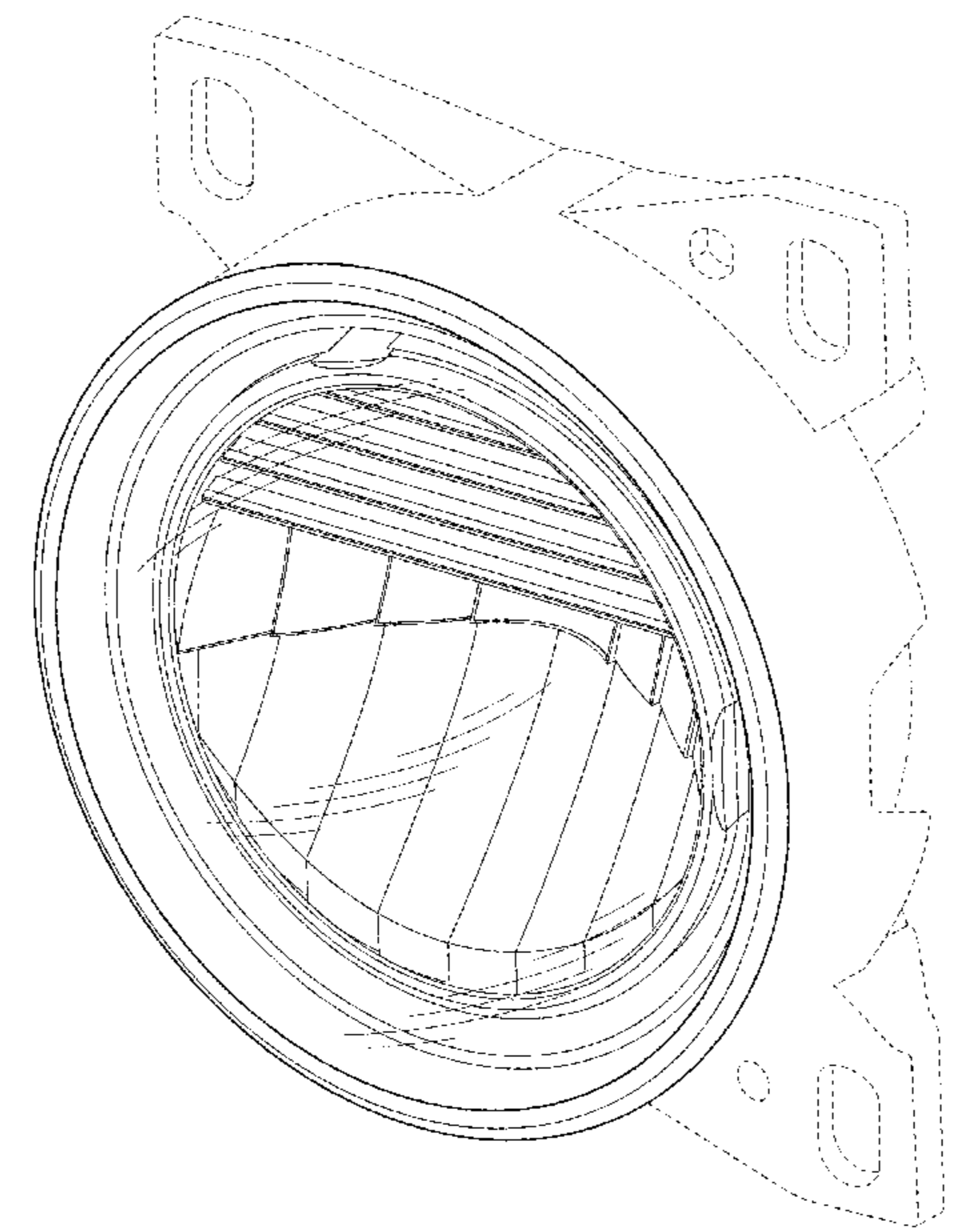
(56) **References Cited**  
U.S. PATENT DOCUMENTS

D241,673 S 9/1976 Cibie  
D242,279 S 11/1976 Andrews  
D243,274 S 2/1977 Miceli  
4,027,150 A 5/1977 Dean  
4,085,317 A 4/1978 Mithoff  
D248,255 S 6/1978 Cibie  
D248,691 S 7/1978 Cibie  
D250,911 S 1/1979 Mcjunkin, Jr.  
D253,495 S 11/1979 Bodine  
D254,634 S 4/1980 Ziaylek, Jr.  
D260,558 S 9/1981 Catte  
D261,051 S 9/1981 Catte  
D278,519 S 4/1985 Caldwell  
D304,621 S 11/1989 Schmidt  
D304,622 S 11/1989 Schmidt  
D306,767 S 3/1990 Ziaylek, Jr.

(57) **CLAIM**  
The ornamental design for an automobile fog light, as shown and described.

**DESCRIPTION**  
FIG. 1 is a perspective view of an automobile fog light; FIG. 2 is a front view thereof; FIG. 3 is a side view thereof; and, FIG. 4 is a top view thereof. The broken lines are included to show environmental structure and form no part of the claimed design. The design envisioned contains a second portion whose image is mirror symmetrical to the one shown.

**1 Claim, 4 Drawing Sheets**



(56)

**References Cited**

## U.S. PATENT DOCUMENTS

D626,670 S	*	11/2010	Metzger .....	D26/28
D662,648 S		6/2012	Whiting et al.	
D673,703 S		1/2013	Davies	
D673,704 S		1/2013	Davies	
D688,400 S	*	8/2013	Haumann .....	D26/28
D690,853 S		10/2013	Huang	
D716,477 S	*	10/2014	Chu .....	D26/28
D716,981 S		11/2014	Hawthorne et al.	
D718,478 S	*	11/2014	Adams .....	D26/28
D750,815 S		3/2016	Platto et al.	
D750,816 S		3/2016	Platto et al.	
D750,817 S		3/2016	Lin	
D750,818 S		3/2016	Lin	
D750,819 S		3/2016	Schneider	
D751,737 S		3/2016	Lai	
D751,740 S		3/2016	Wolff et al.	
D752,254 S		3/2016	Futschik et al.	
D752,255 S		3/2016	Futschik et al.	
D753,323 S		4/2016	George et al.	
D754,375 S		4/2016	Vena et al.	
D814,674 S		4/2018	Dicanzio	
D824,055 S		7/2018	Chi	
D841,847 S		2/2019	Re	
D848,651 S		5/2019	Ko	
D849,292 S		5/2019	Ko	
D849,293 S		5/2019	Ko	
D852,395 S		6/2019	Chen et al.	
D854,206 S		7/2019	Yang	

\* cited by examiner

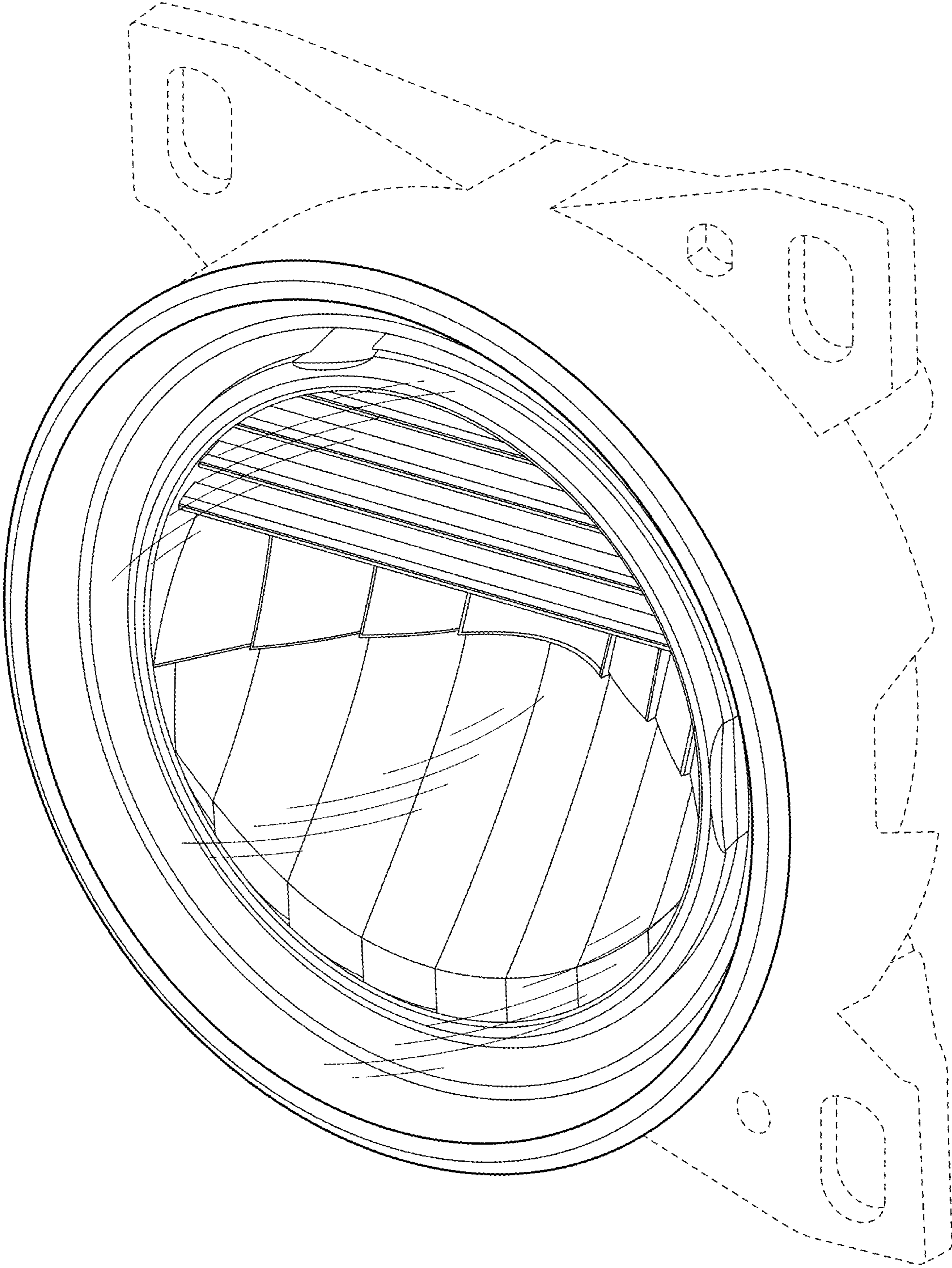


FIG. 1

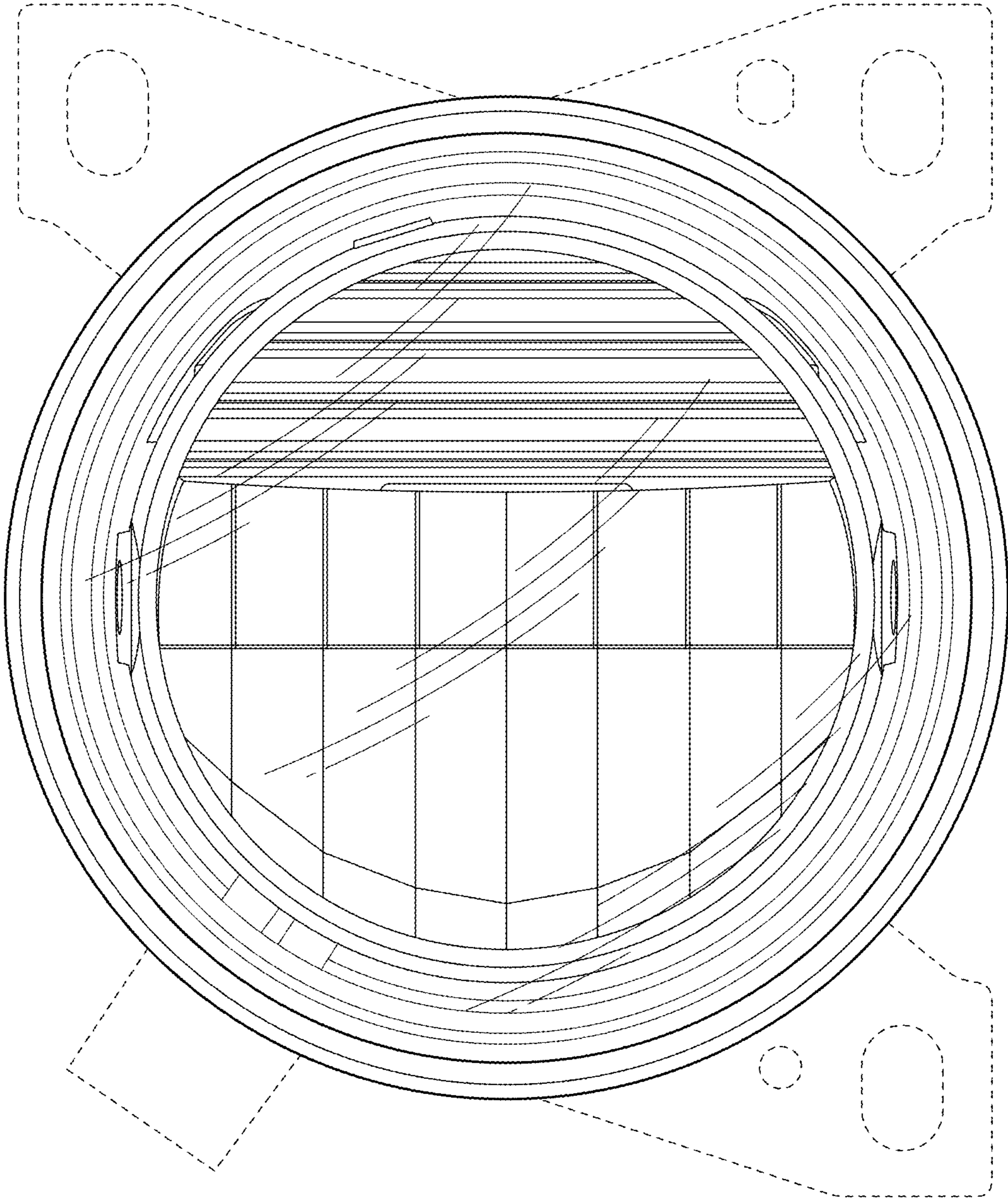


FIG. 2

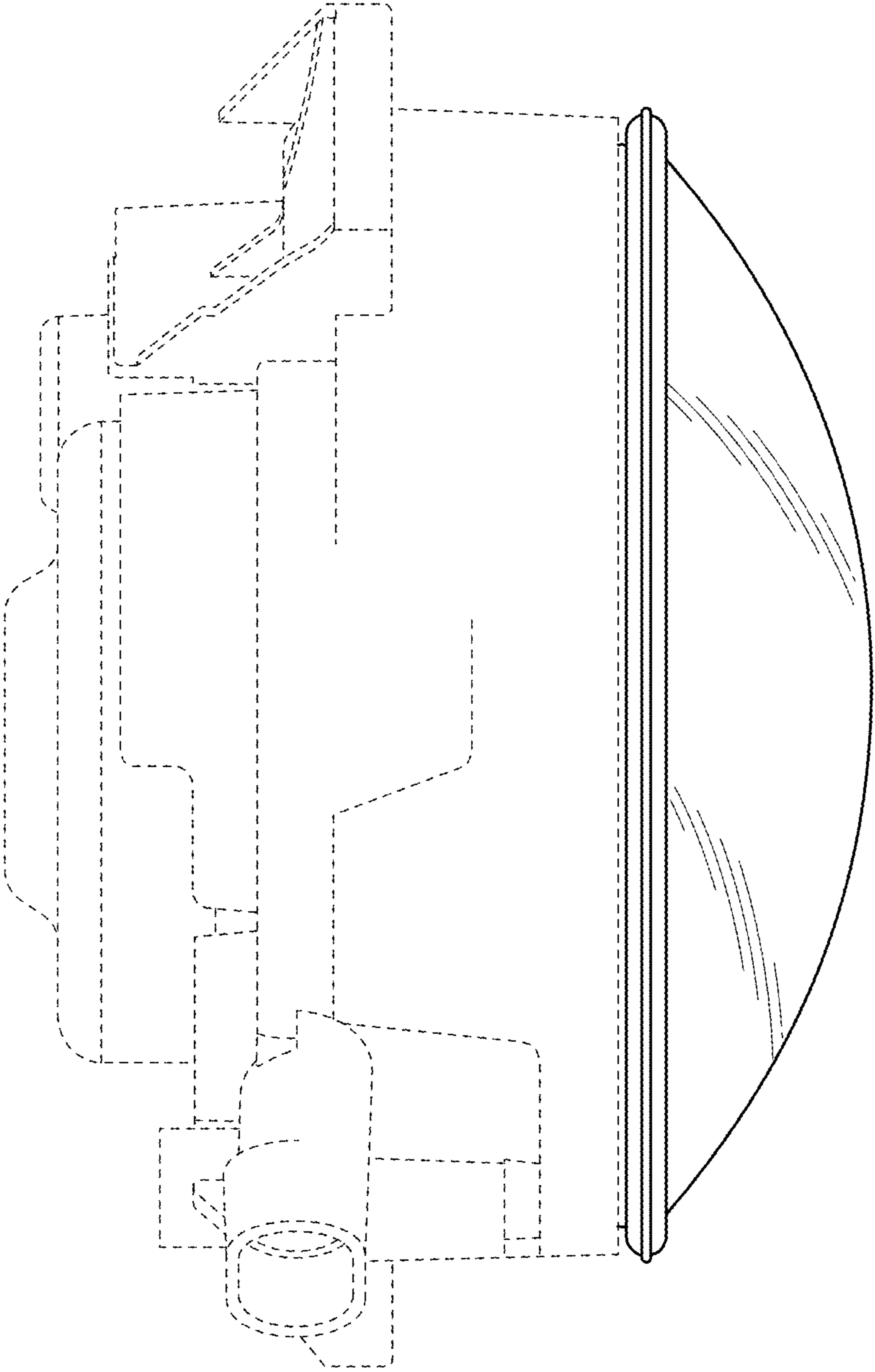


FIG. 3

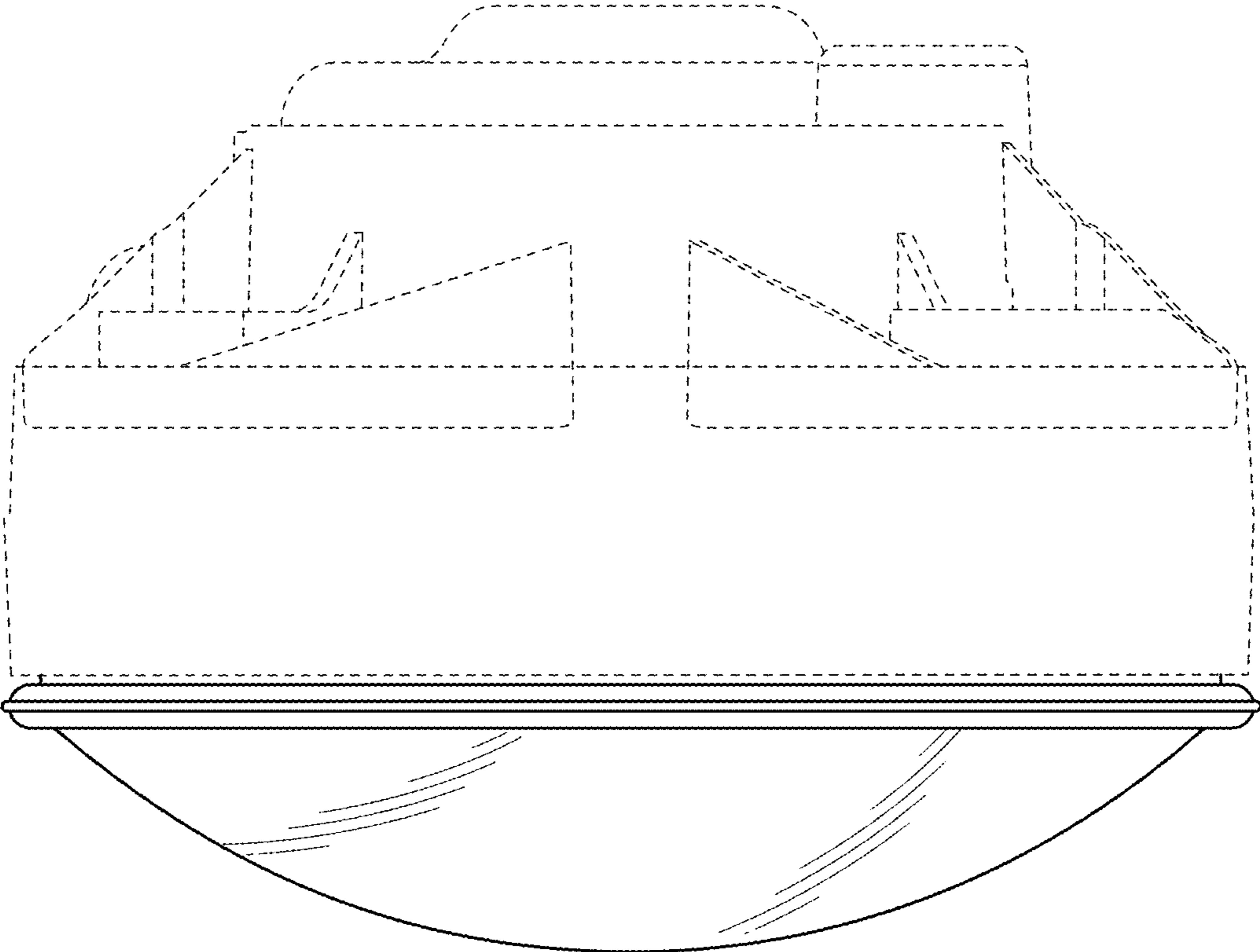


FIG. 4