



US00D883533S

(12) **United States Design Patent** (10) **Patent No.:** **US D883,533 S**
Zhai (45) **Date of Patent:** **** May 5, 2020**

(54) **HEADLIGHT FOR A VEHICLE**

FOREIGN PATENT DOCUMENTS

(71) Applicant: **Bayerische Motoren Werke Aktiengesellschaft, Munich (DE)**

EM 002250126-0001 8/2013
WO WO DM/080343 8/2013

(Continued)

(72) Inventor: **Chunyue Zhai, Munich (DE)**

Primary Examiner — Angela J Lee

(73) Assignee: **Bayerische Motoren Werke Aktiengesellschaft, Munich (DE)**

(74) *Attorney, Agent, or Firm* — Crowell & Moring LLP

(**) Term: **15 Years**

(57) **CLAIM**

The ornamental design for a headlight for a vehicle, as shown and described.

(21) Appl. No.: **29/676,466**

(22) Filed: **Jan. 11, 2019**

DESCRIPTION

(30) **Foreign Application Priority Data**

Jul. 20, 2018 (DE) 40 2018 100 721

This application contains subject matter related to the following co-pending U.S. design patent applications:

(51) **LOC (12) Cl.** **26-06**

Application Ser. No. 29/602,951, filed May 5, 2017 and entitled "Headlight for a Vehicle";

(52) **U.S. Cl.**

USPC **D26/28**

Application Ser. No. 29/624,711, filed Nov. 3, 2017 and entitled "Headlight for a Vehicle";

(58) **Field of Classification Search**

USPC D26/28, 29, 30, 31, 32, 33, 34, 35, 36;
362/459-468, 475-478, 485-487

Application Ser. No. 29/630,707, filed Dec. 22, 2017 and entitled "Headlight for a Vehicle";

CPC F21S 48/00; F21S 48/10; F21S 48/115;
F21S 48/225; F21S 48/1233; F21S

Application Ser. No. 29/646,417, filed May 4, 2018 and entitled "Headlight for a Vehicle";

48/1266; F21S 48/1388; F21S 48/2268;
F21V 21/04

Application Ser. No. 29/605,301, filed May 25, 2017 and entitled "Headlight for a Vehicle";

See application file for complete search history.

Application Ser. No. 29/676,459, filed herewith and entitled "Vehicle, Toy, and/or Replicas Thereof"; and

(56) **References Cited**

U.S. PATENT DOCUMENTS

D767,177 S * 9/2016 Faghihzadeh D26/28
D801,563 S * 10/2017 Hannemann D26/28
D822,242 S * 7/2018 Lee D26/28
D827,885 S 9/2018 Hannemann
D828,590 S 9/2018 Hannemann
D843,615 S * 3/2019 Nordmann D26/28
D844,188 S * 3/2019 Nordmann D26/28
D847,386 S * 4/2019 Lai D26/28

Application Ser. No. 29/676,460, filed herewith and entitled "Vehicle, Toy, and/or Replicas Thereof".

FIG. 1 is a front view of a headlight for a vehicle according to the design;

FIG. 2 is a right, front perspective view thereof;

FIG. 3 is a left, front perspective view thereof;

FIG. 4 is a right side view thereof;

FIG. 5 is a left side view thereof;

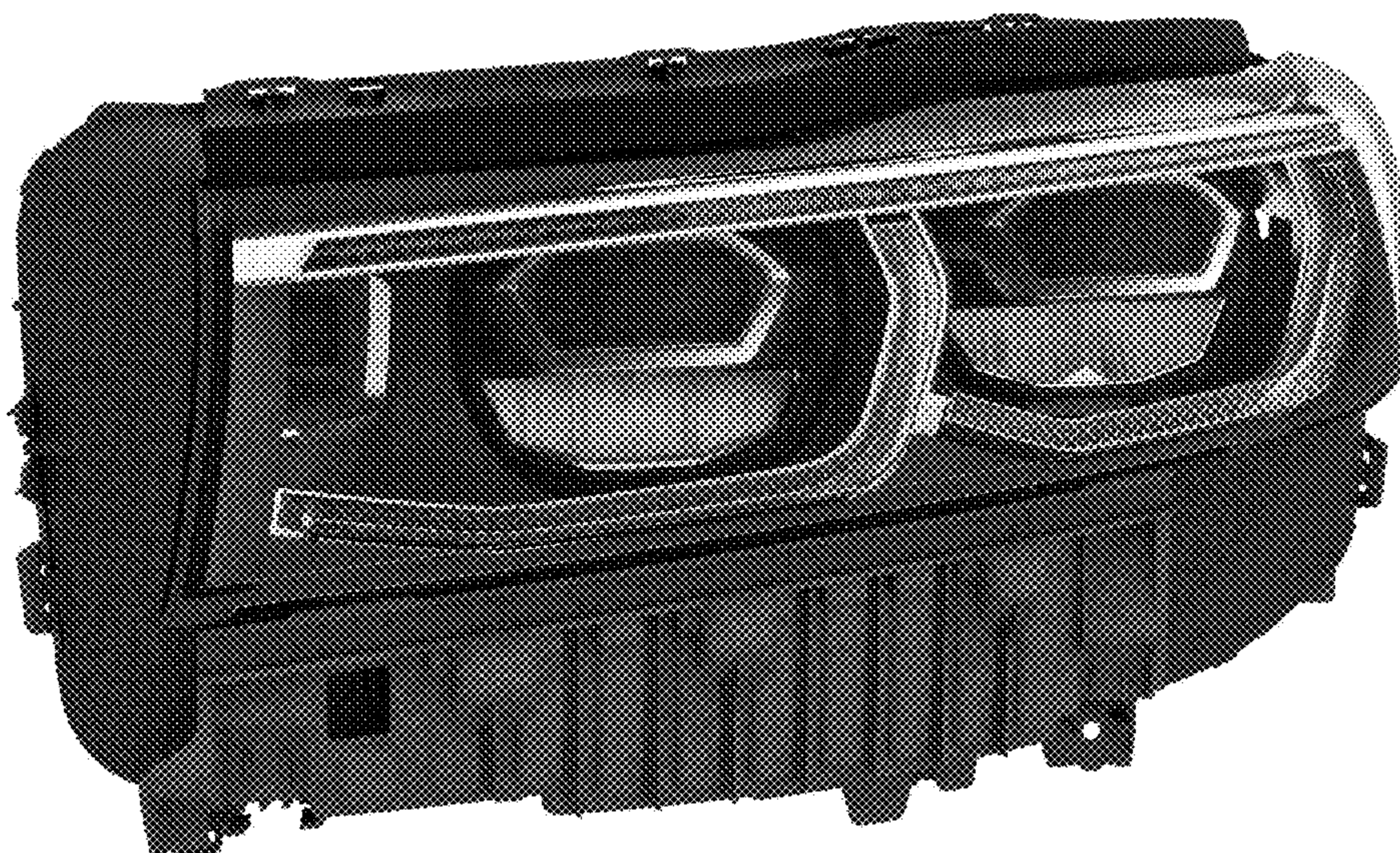
FIG. 6 is a top view thereof;

FIG. 7 is a bottom view thereof; and,

FIG. 8 is a rear view thereof.

(Continued)

1 Claim, 8 Drawing Sheets



(56)

References Cited

U.S. PATENT DOCUMENTS

D853,607 S * 7/2019 Allmendinger D26/28
D866,017 S * 11/2019 Binder D26/28
D866,022 S * 11/2019 Hannemann D26/28
D866,023 S * 11/2019 Hannemann D26/28
D866,024 S * 11/2019 Hannemann D26/28
D866,823 S * 11/2019 Lin D26/28
D870,329 S * 12/2019 Binder D26/28

FOREIGN PATENT DOCUMENTS

WO WO DM/080366 9/2013
WO WO DM/088023 4/2016
WO WO DM/095845 10/2017
WO WO DM/096235 11/2017
WO WO DM/098388 5/2018
WO WO DM/101134 5/2018
WO WO DM/099114 6/2018

* cited by examiner



Fig. 1



Fig. 2



Fig. 3

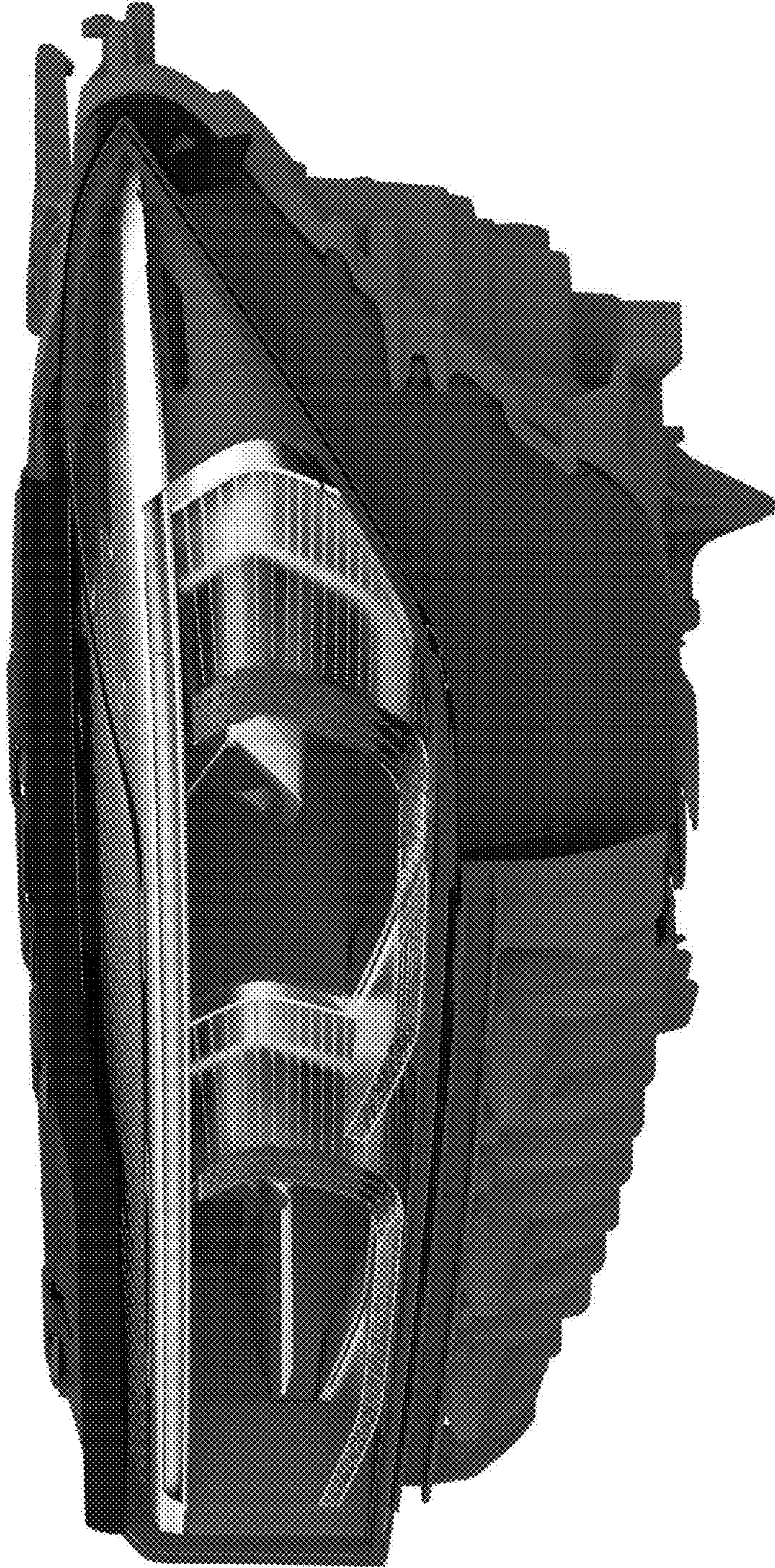


Fig. 4

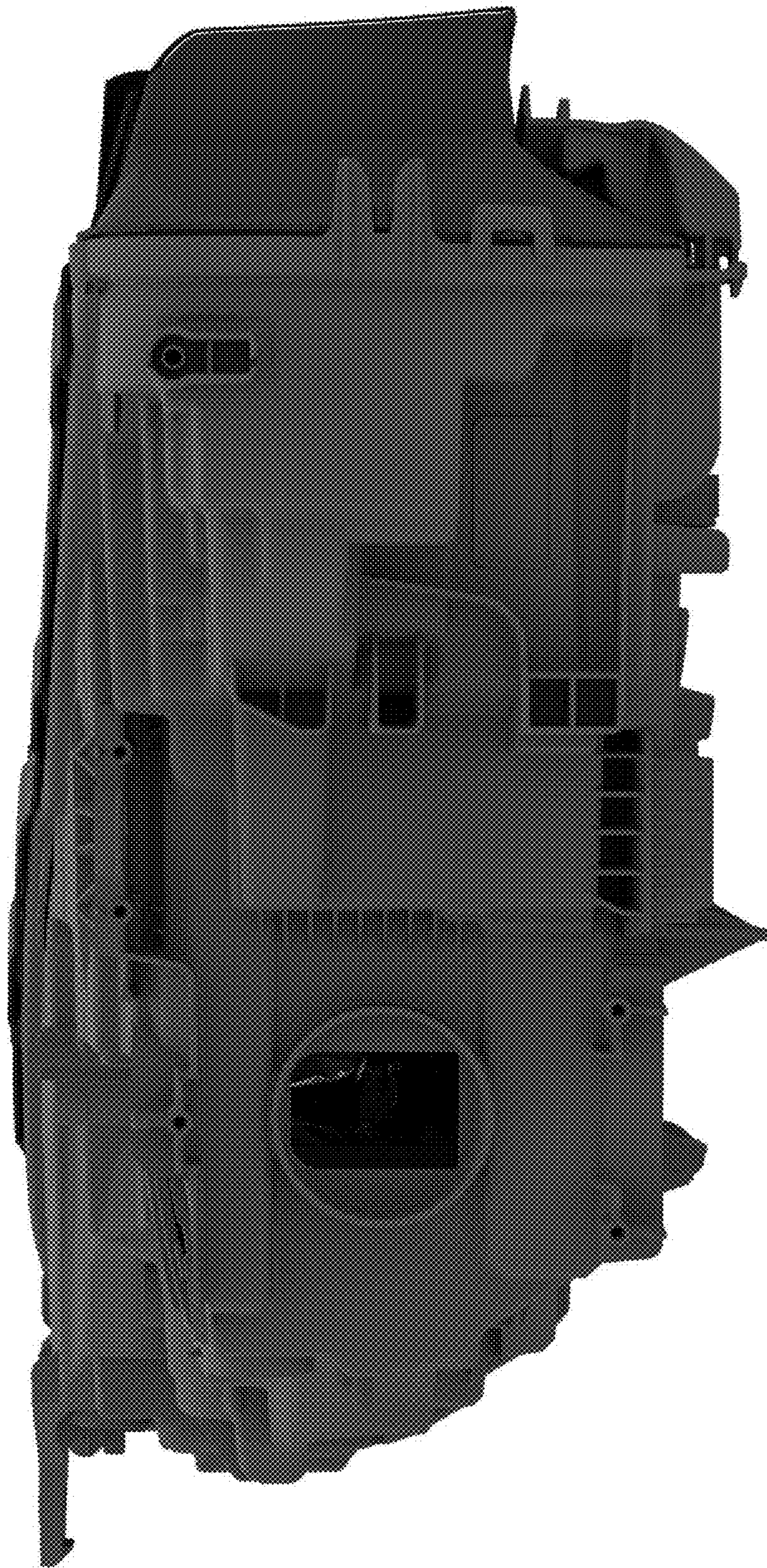


Fig. 5

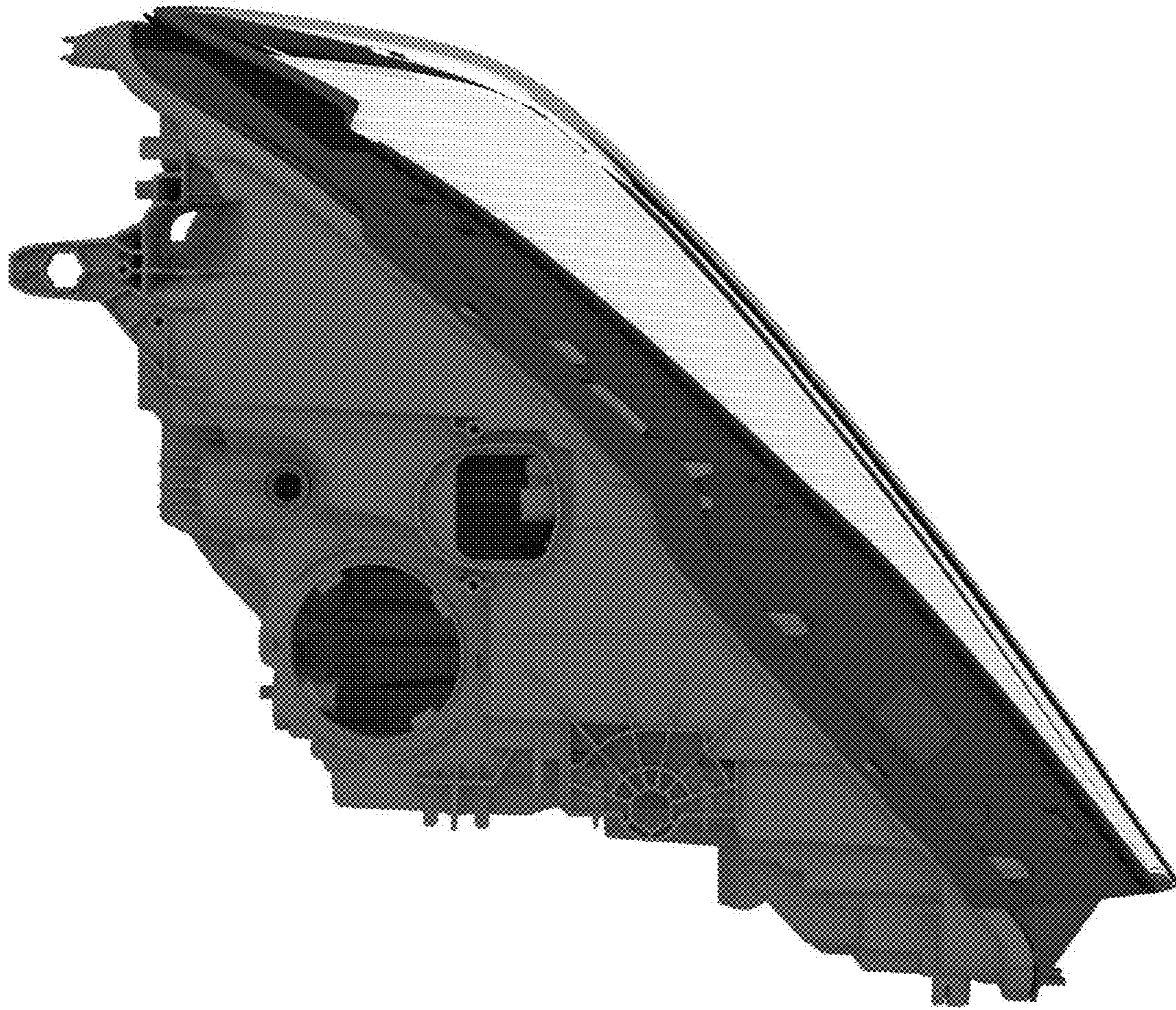


Fig. 6

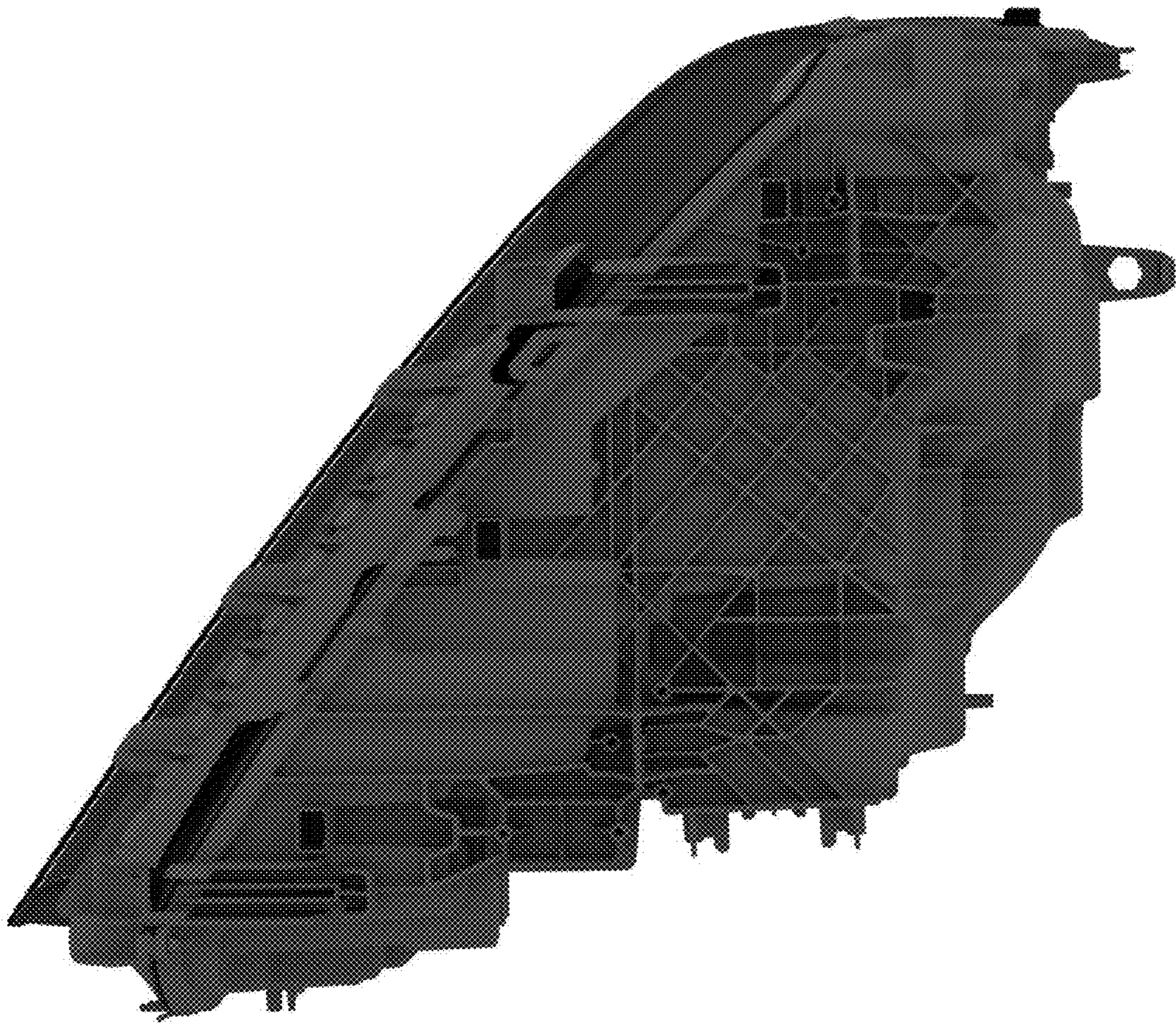


Fig. 7

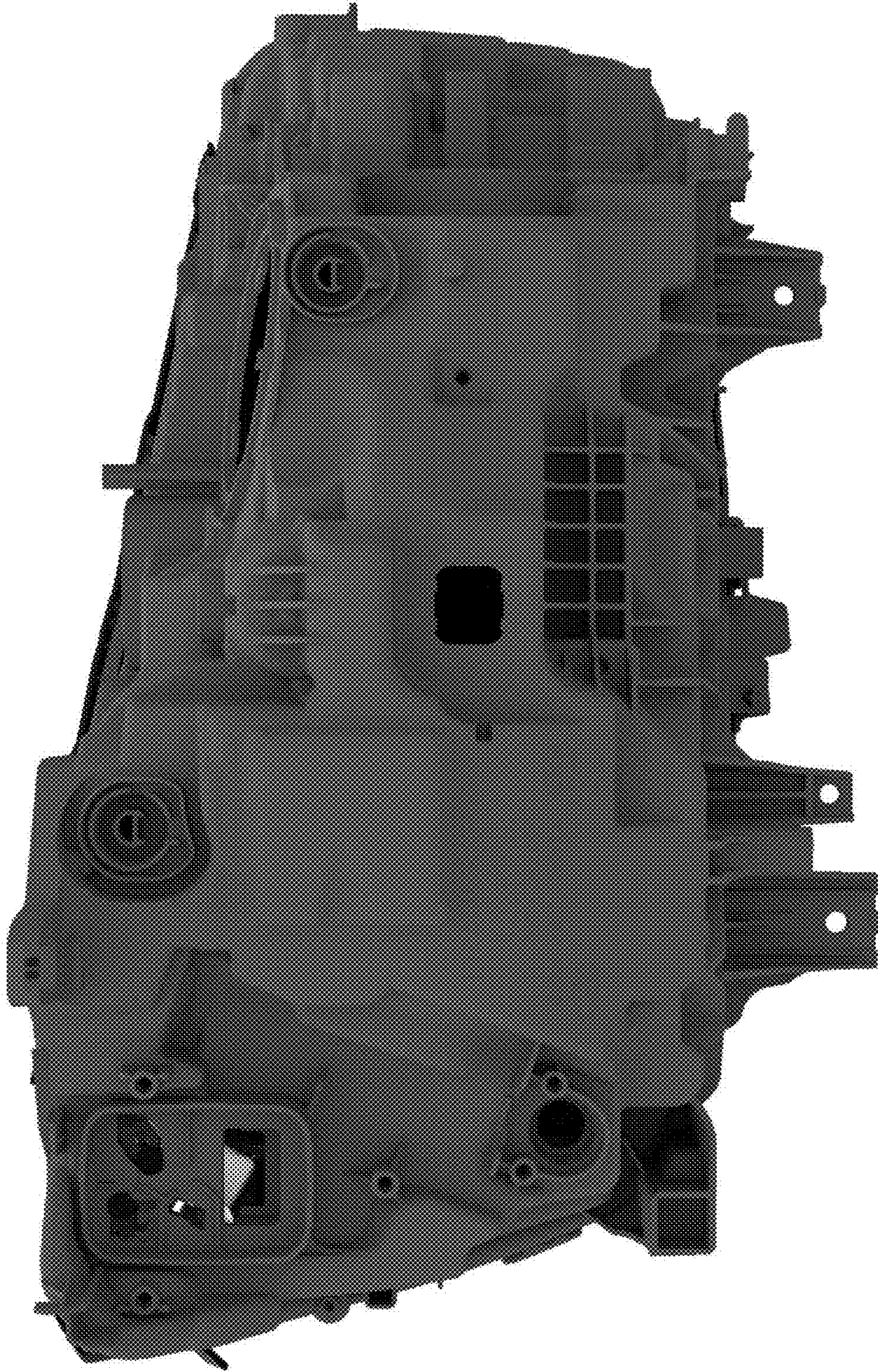


Fig. 8