



US00D883530S

(12) **United States Design Patent**
Huang

(10) **Patent No.:** **US D883,530 S**

(45) **Date of Patent:** **** May 5, 2020**

(54) **VEHICLE LAMP**

(56) **References Cited**

(71) Applicant: **SIRIUS LIGHT TECHNOLOGY CO., LTD.,** Tainan (TW)

U.S. PATENT DOCUMENTS

(72) Inventor: **Ricky Huang,** Tainan (TW)

D490,172 S *	5/2004	Yamamoto	D26/28
D564,683 S *	3/2008	Roach	D26/28
D626,670 S *	11/2010	Metzger	D26/28
D688,400 S *	8/2013	Haumann	D26/28
D716,477 S *	10/2014	Chu	D26/28
D718,478 S *	11/2014	Adams	D26/28

(73) Assignee: **Sirius Light Technology Co., LTD.,** Tainan (TW)

* cited by examiner

(**) Term: **15 Years**

Primary Examiner — Marcus A Jackson

(21) Appl. No.: **29/672,051**

(57) **CLAIM**

(22) Filed: **Dec. 3, 2018**

The ornamental design for a vehicle lamp, as shown and described.

(30) **Foreign Application Priority Data**

DESCRIPTION

Nov. 5, 2018 (TW) 107306533

(51) **LOC (12) Cl.** **26-06**

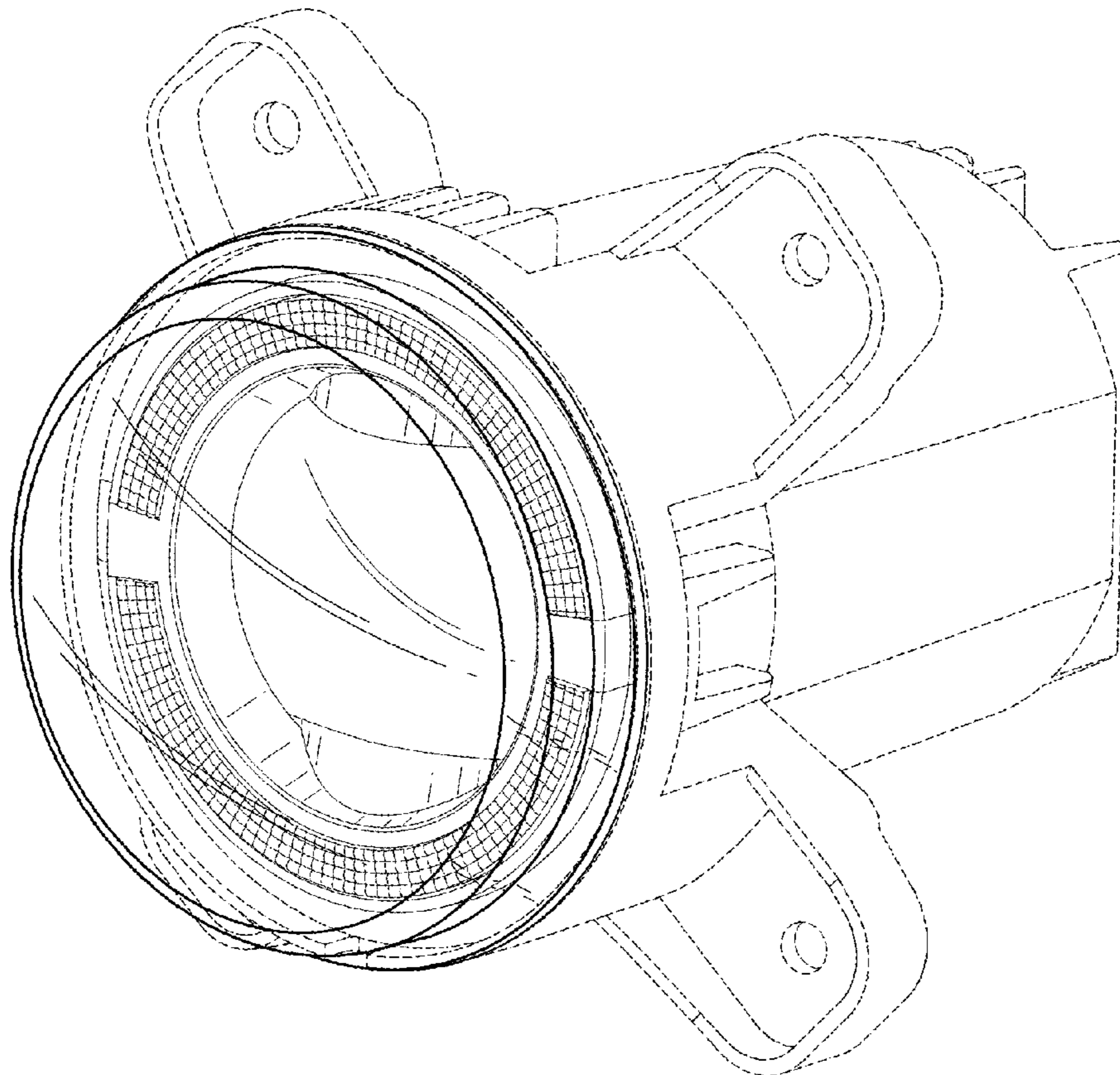
(52) **U.S. Cl.**
USPC **D26/28**

(58) **Field of Classification Search**
USPC D26/28-36, 139
CPC F21S 48/00; F21S 48/10; F21S 48/115;
F21S 48/225; F21S 48/1233; F21S
48/1266; F21S 48/1388; F21S 48/2268;
F21V 21/04; B60Q 9/13; B60Q 9/135;
B60Q 9/1375

FIG. 1 is a perspective view of a vehicle lamp showing my new design;
FIG. 2 is a front elevational view thereof;
FIG. 3 is a left side elevational view thereof;
FIG. 4 is a right side elevational view thereof;
FIG. 5 is a top plan view thereof;
FIG. 6 is a bottom plan view thereof; and,
FIG. 7 is a sectional view taken along line A-A of FIG. 2. The broken lines depict portions of a vehicle lamp in which the design is embodied that form no part of the claimed design.

See application file for complete search history.

1 Claim, 7 Drawing Sheets



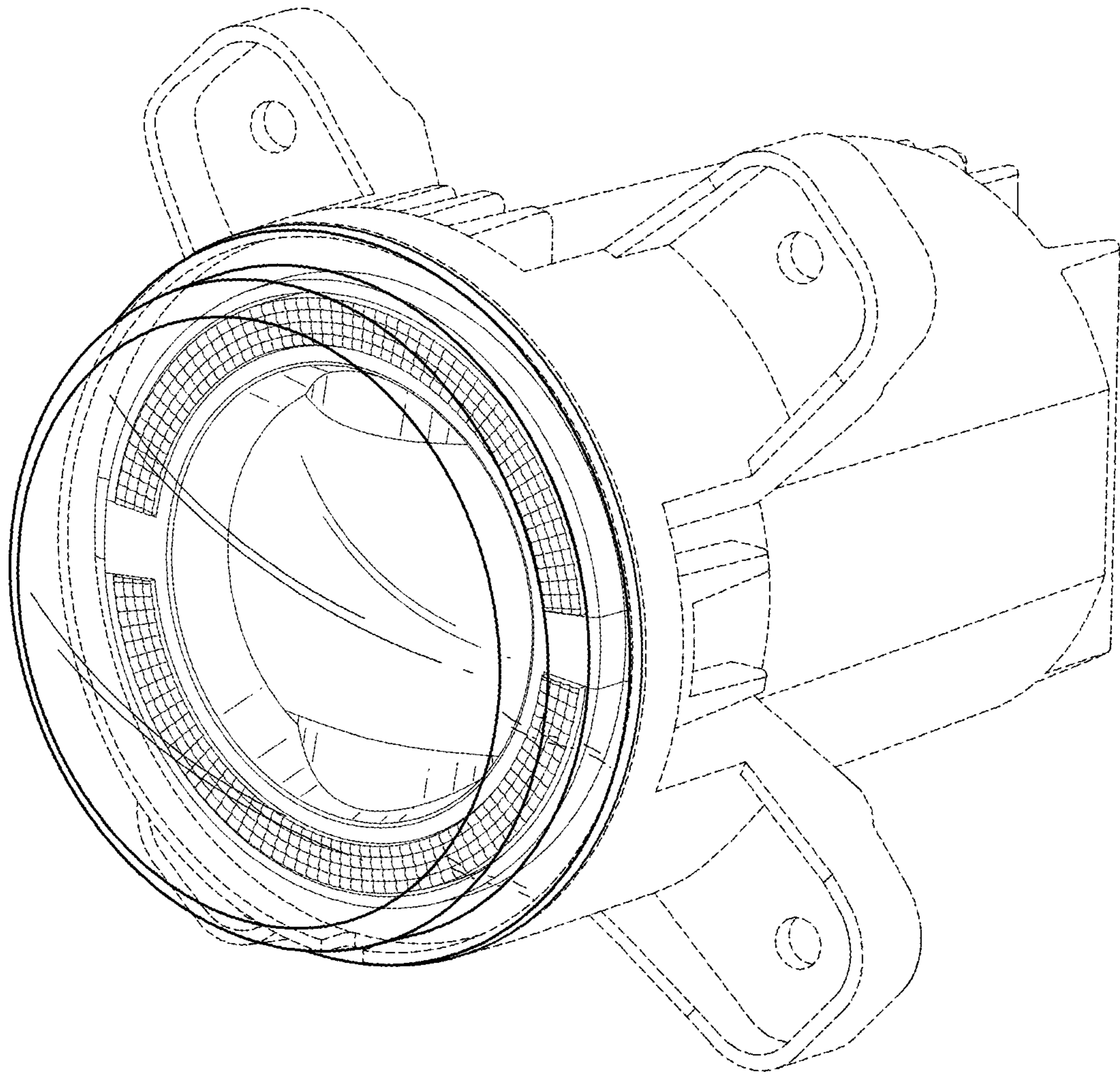


FIG.1

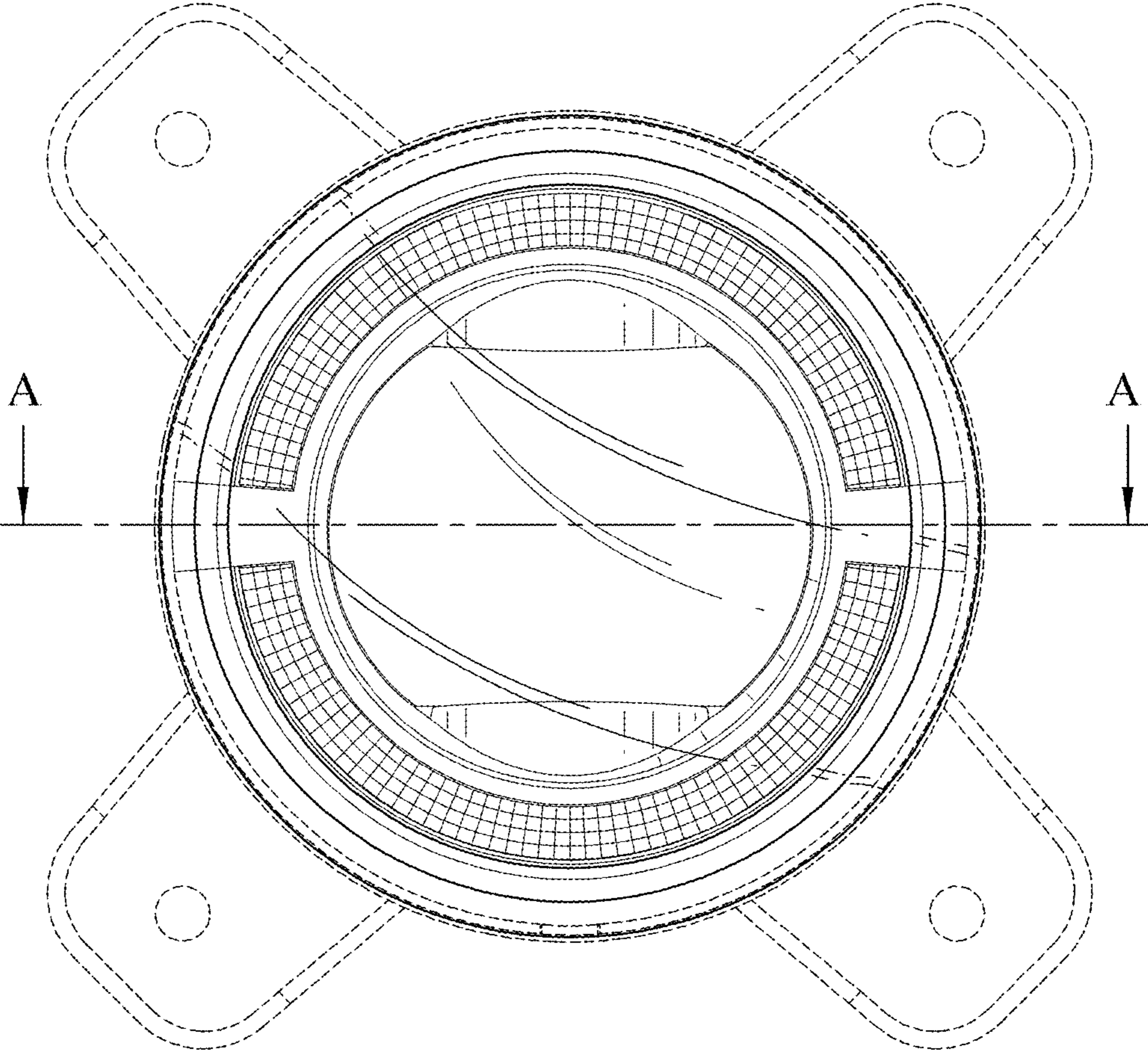


FIG.2

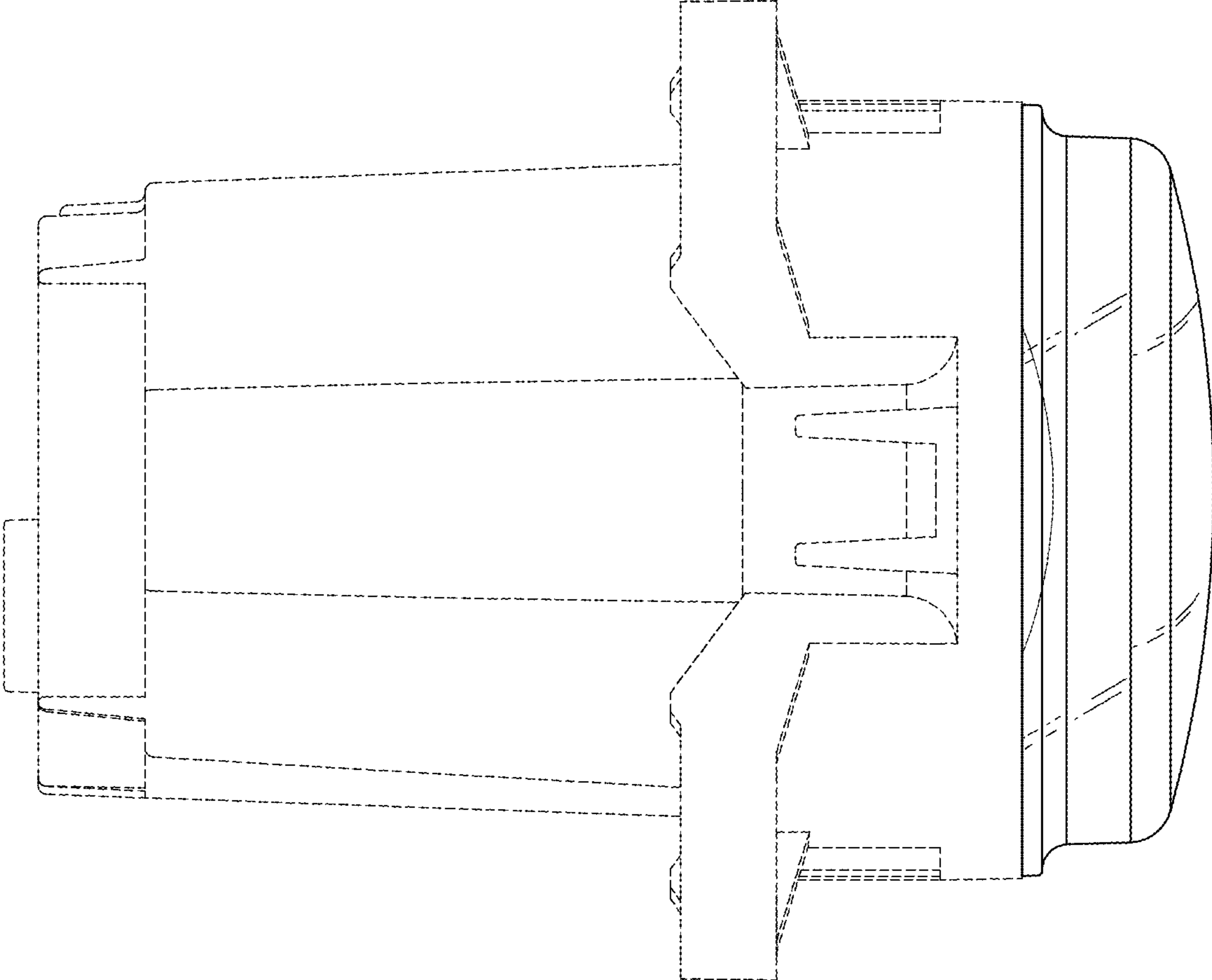


FIG.3

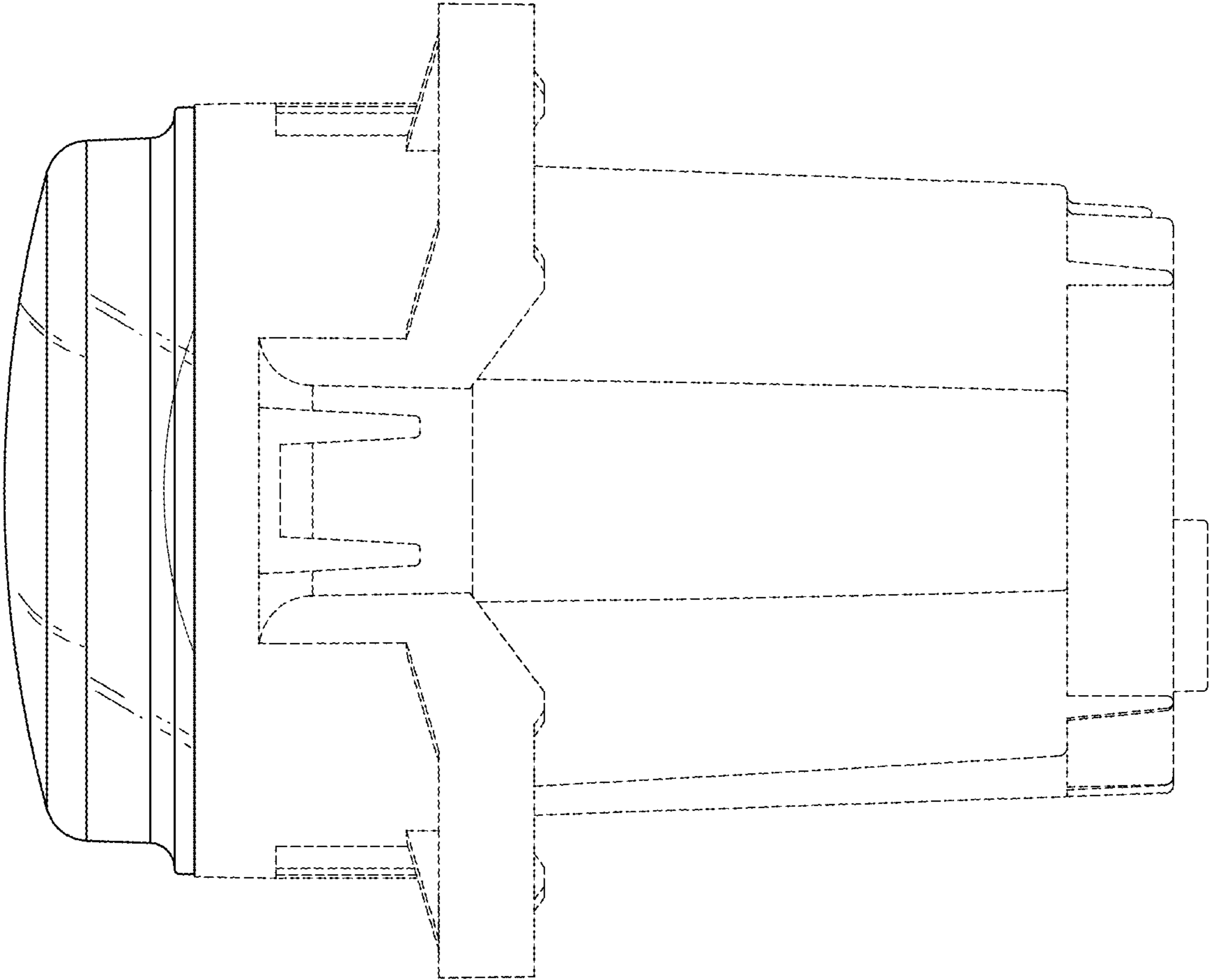


FIG.4

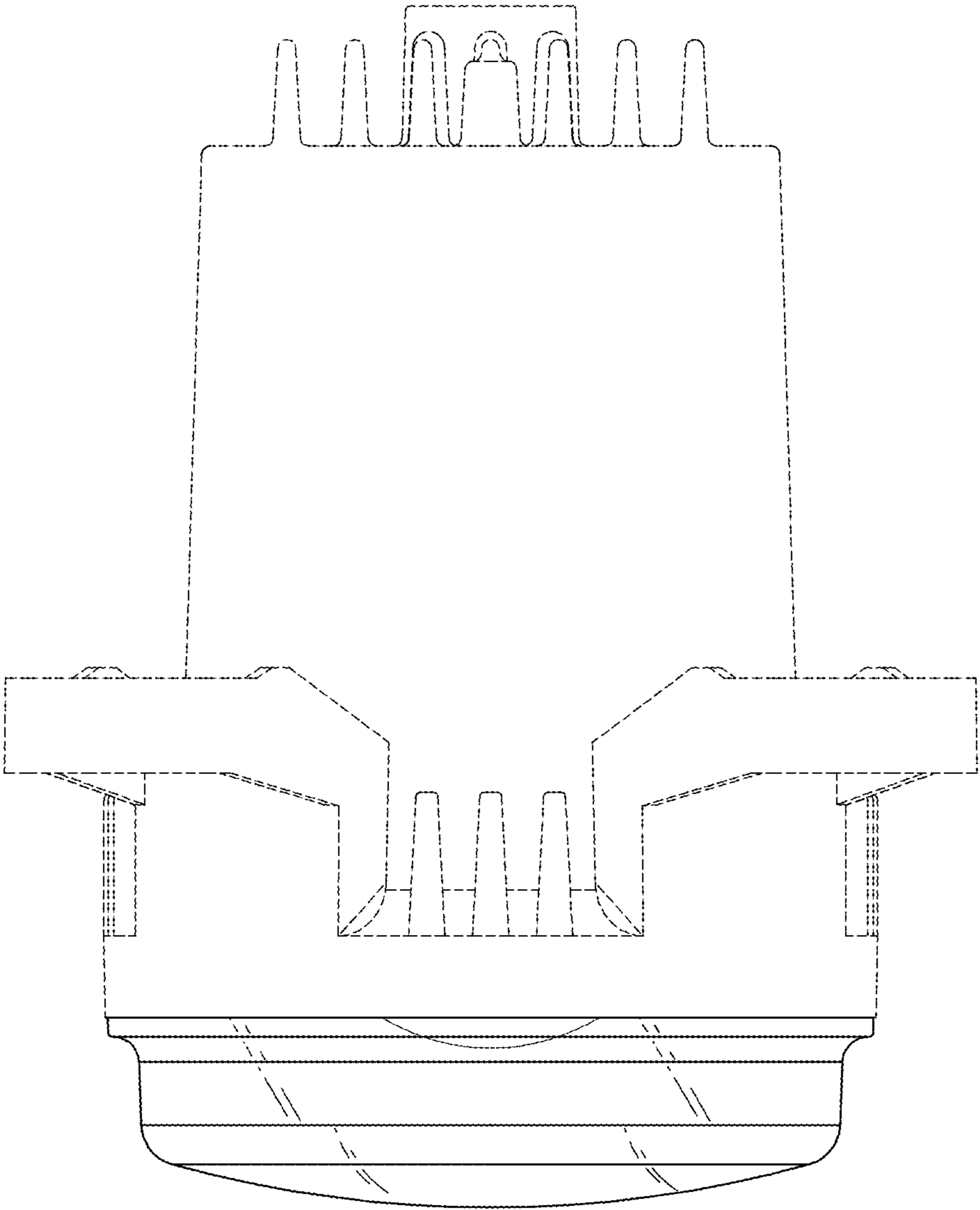


FIG.5

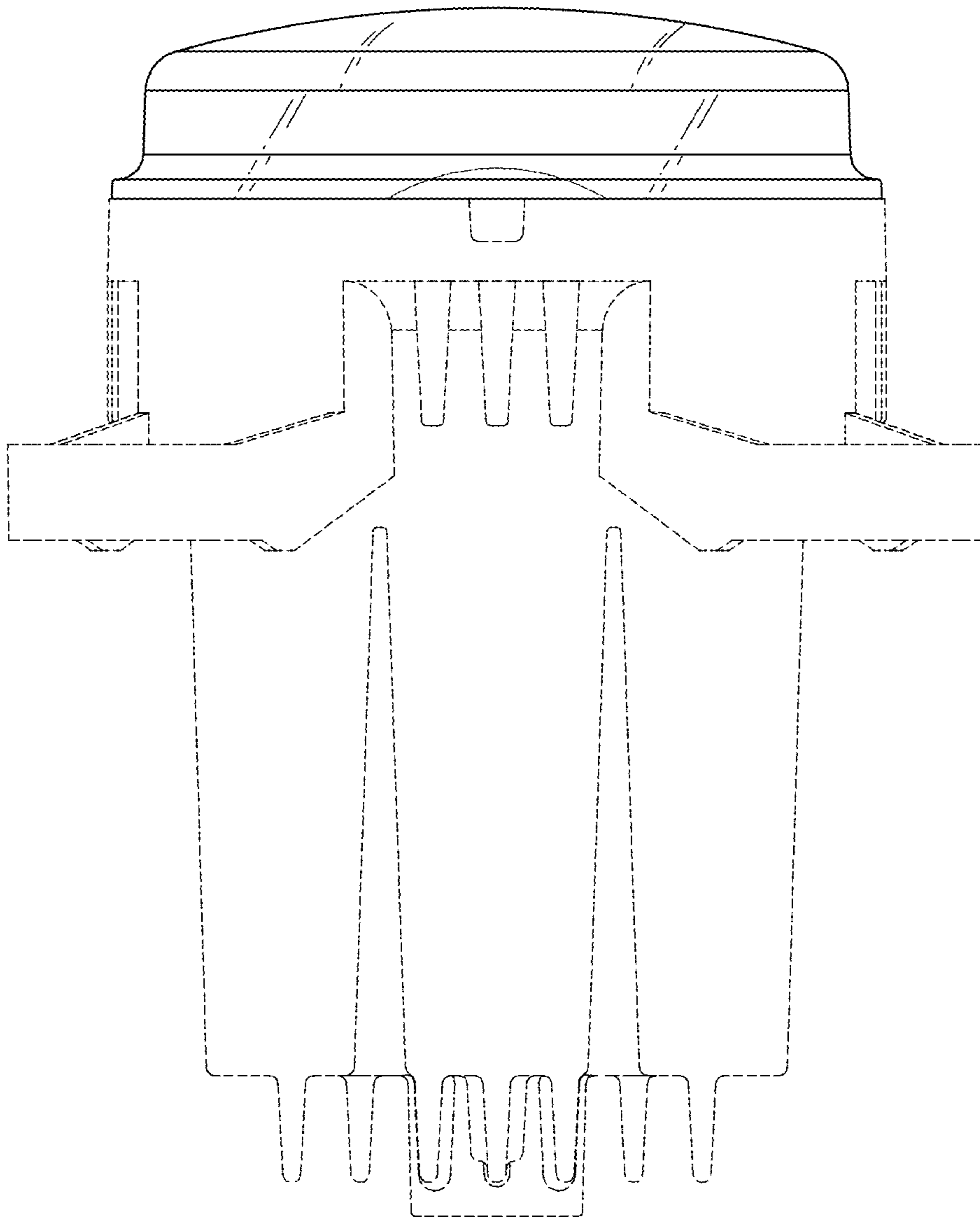


FIG. 6

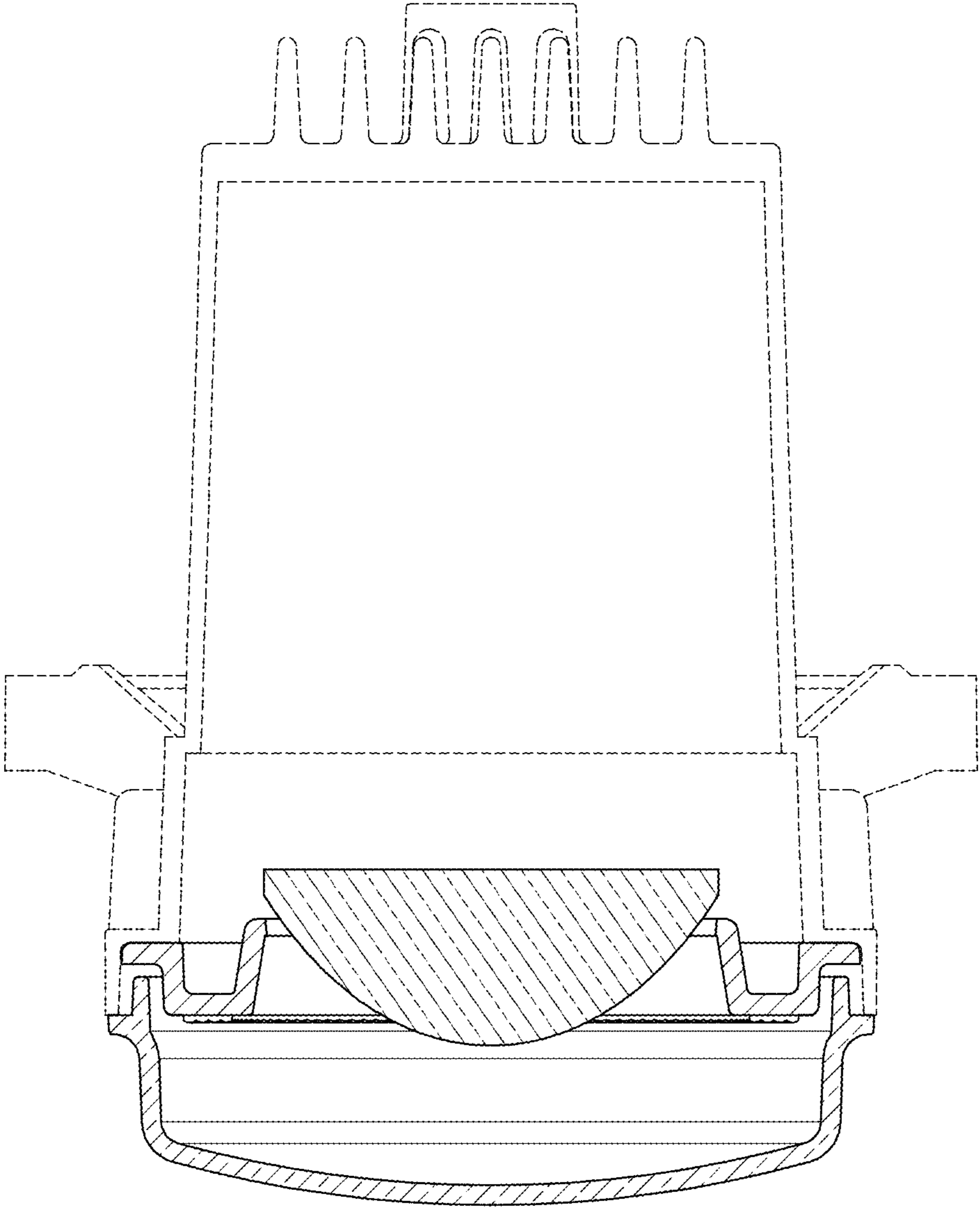


FIG. 7