



US00D883529S

(12) **United States Design Patent**  
**Tsai et al.**

(10) **Patent No.:** **US D883,529 S**

(45) **Date of Patent:** **\*\* May 5, 2020**

(54) **VEHICLE LAMP**

(71) Applicants: **Hsi-Hsien Tsai**, Tainan (TW);  
**Hsiang-Yu Huang**, Tainan (TW)

(72) Inventors: **Hsi-Hsien Tsai**, Tainan (TW);  
**Hsiang-Yu Huang**, Tainan (TW)

(73) Assignee: **LUCIDITY ENTERPROSE CO., LTD.**, Annan District, Tainan (TW)

(\*\*) Term: **15 Years**

(21) Appl. No.: **29/671,204**

(22) Filed: **Nov. 26, 2018**

(51) **LOC (12) Cl.** ..... **26-06**

(52) **U.S. Cl.**  
USPC ..... **D26/28**

(58) **Field of Classification Search**  
USPC ..... D26/28-36, 139  
CPC ..... F21S 48/00; F21S 48/10; F21S 48/115;  
F21S 48/225; F21S 48/1233; F21S  
48/1266; F21S 48/1388; F21S 48/2268;  
F21V 21/04; B60Q 9/13; B60Q 9/135;  
B60Q 9/1375

See application file for complete search history.

(56) **References Cited**

U.S. PATENT DOCUMENTS

D512,790 S	*	12/2005	Handsaker	.....	D26/28
D549,367 S	*	8/2007	Hovind	.....	D26/28
D583,490 S	*	12/2008	Rogers	.....	D26/28
D745,720 S	*	12/2015	Chang	.....	D26/28

\* cited by examiner

*Primary Examiner* — Marcus A Jackson

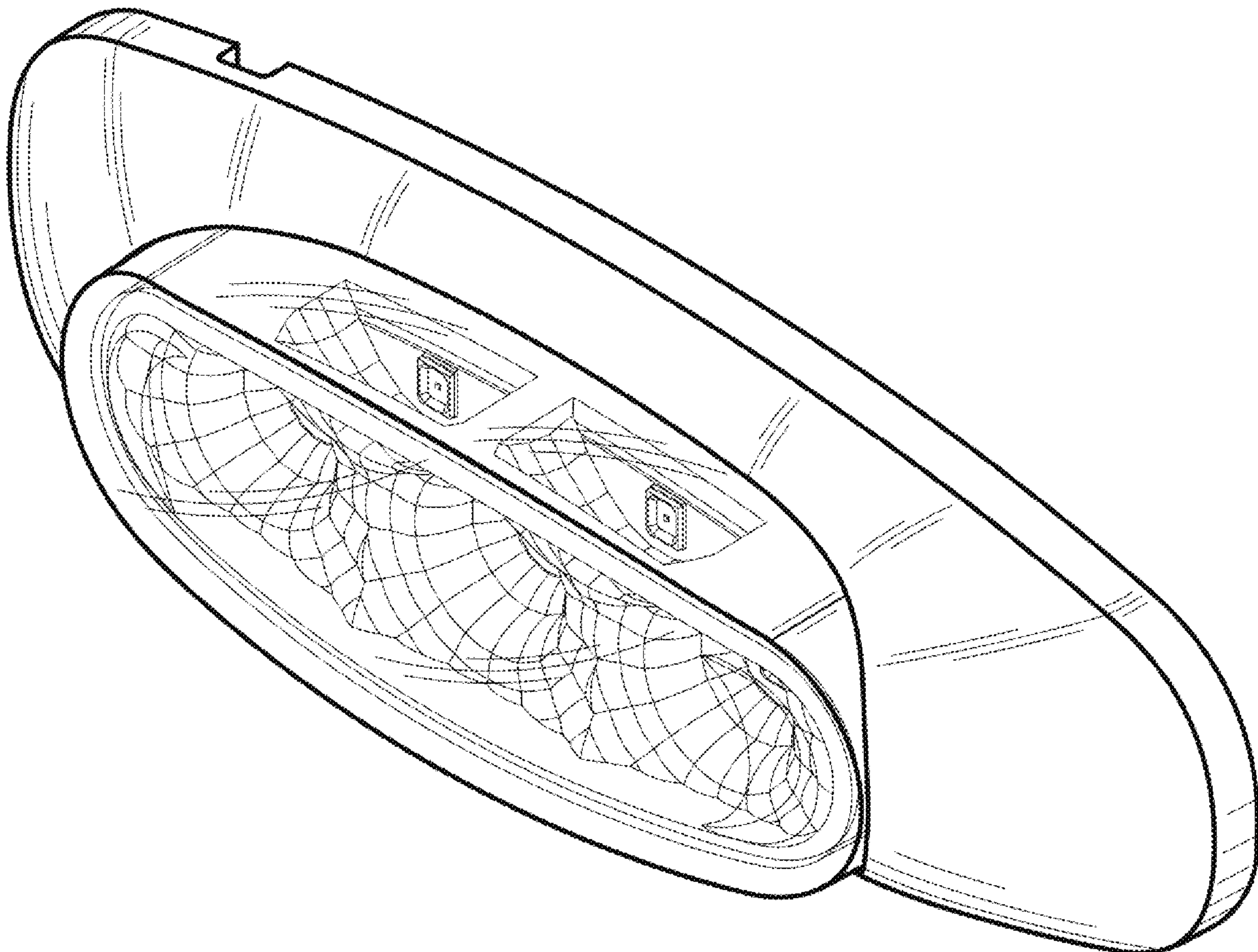
(57) **CLAIM**

The ornamental design for a vehicle lamp, as shown and described.

**DESCRIPTION**

FIG. 1 is a perspective view of a vehicle lamp showing my design;  
FIG. 2 is a front elevational view thereof;  
FIG. 3 is a rear elevational view thereof;  
FIG. 4 is a left side elevational view thereof;  
FIG. 5 is a right side elevational view thereof;  
FIG. 6 is a top plan view thereof; and,  
FIG. 7 is a bottom plan view.

**1 Claim, 4 Drawing Sheets**



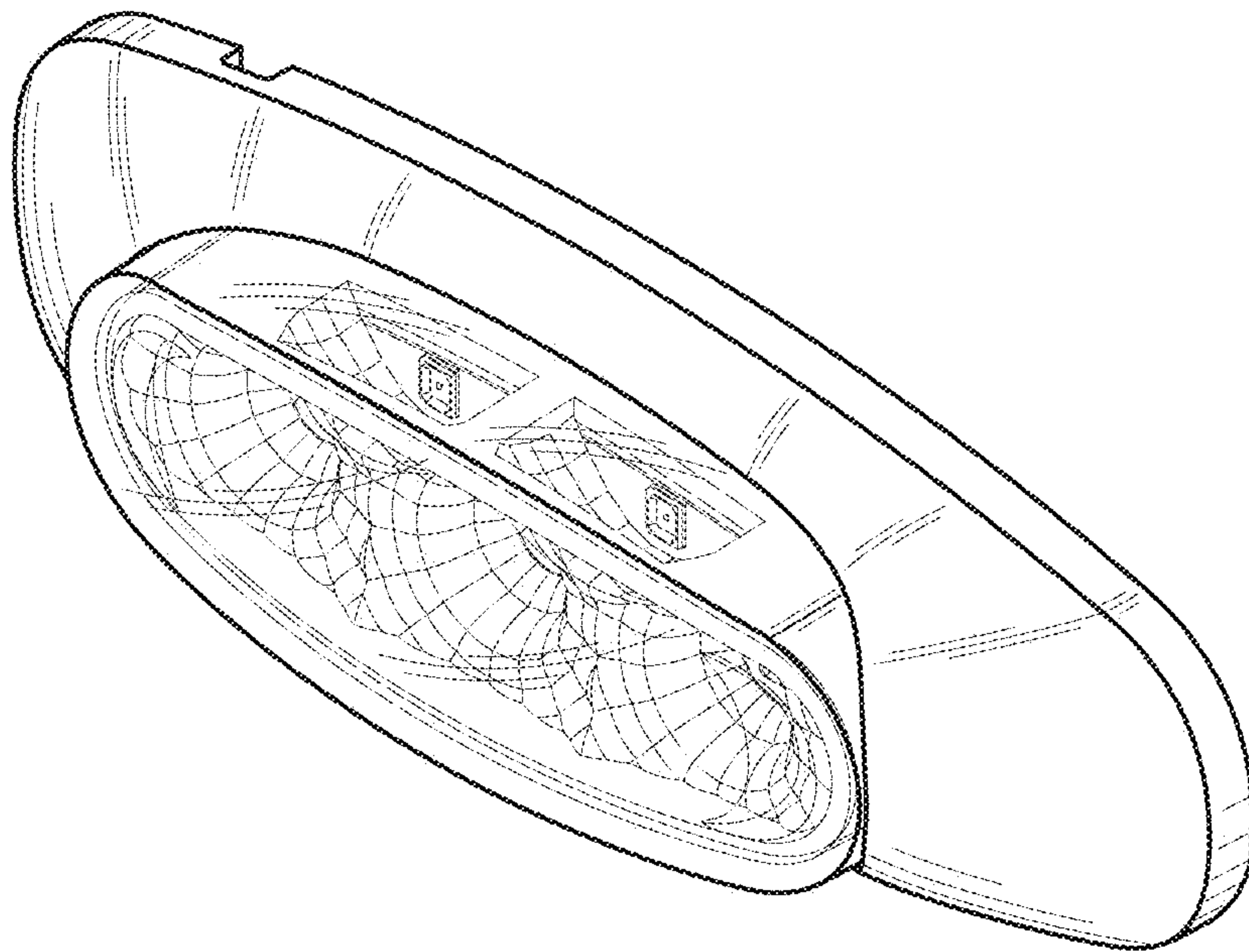


FIG. 1

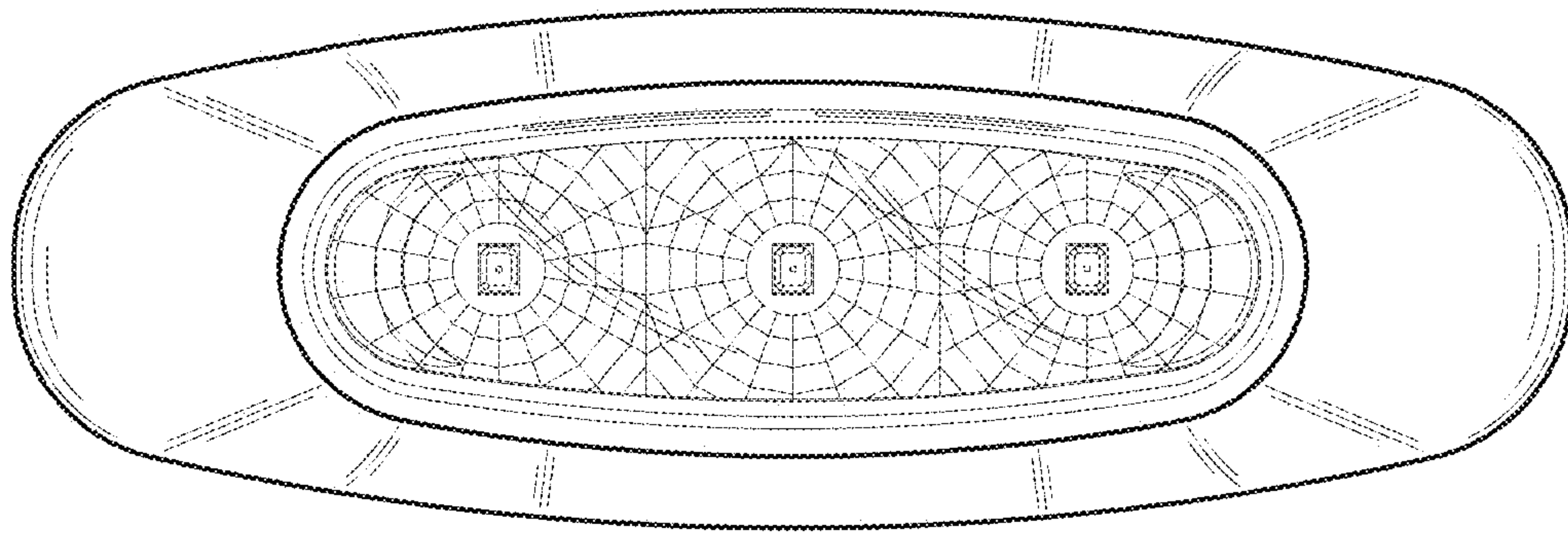


FIG. 2

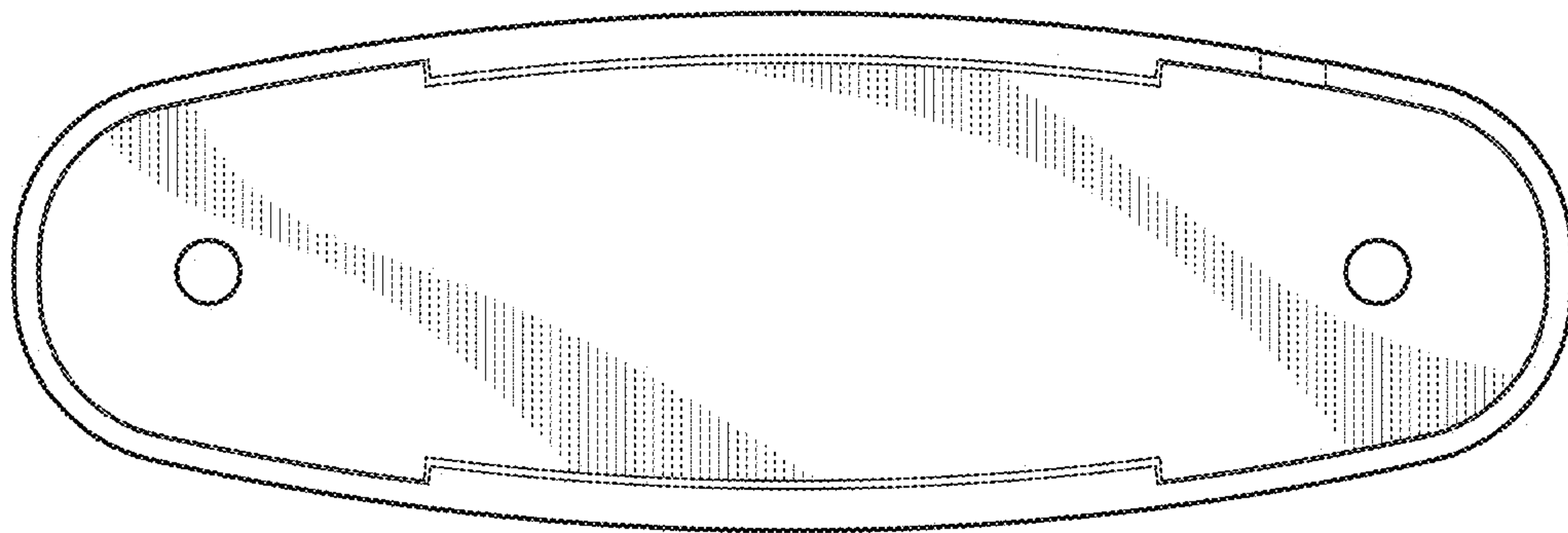


FIG. 3

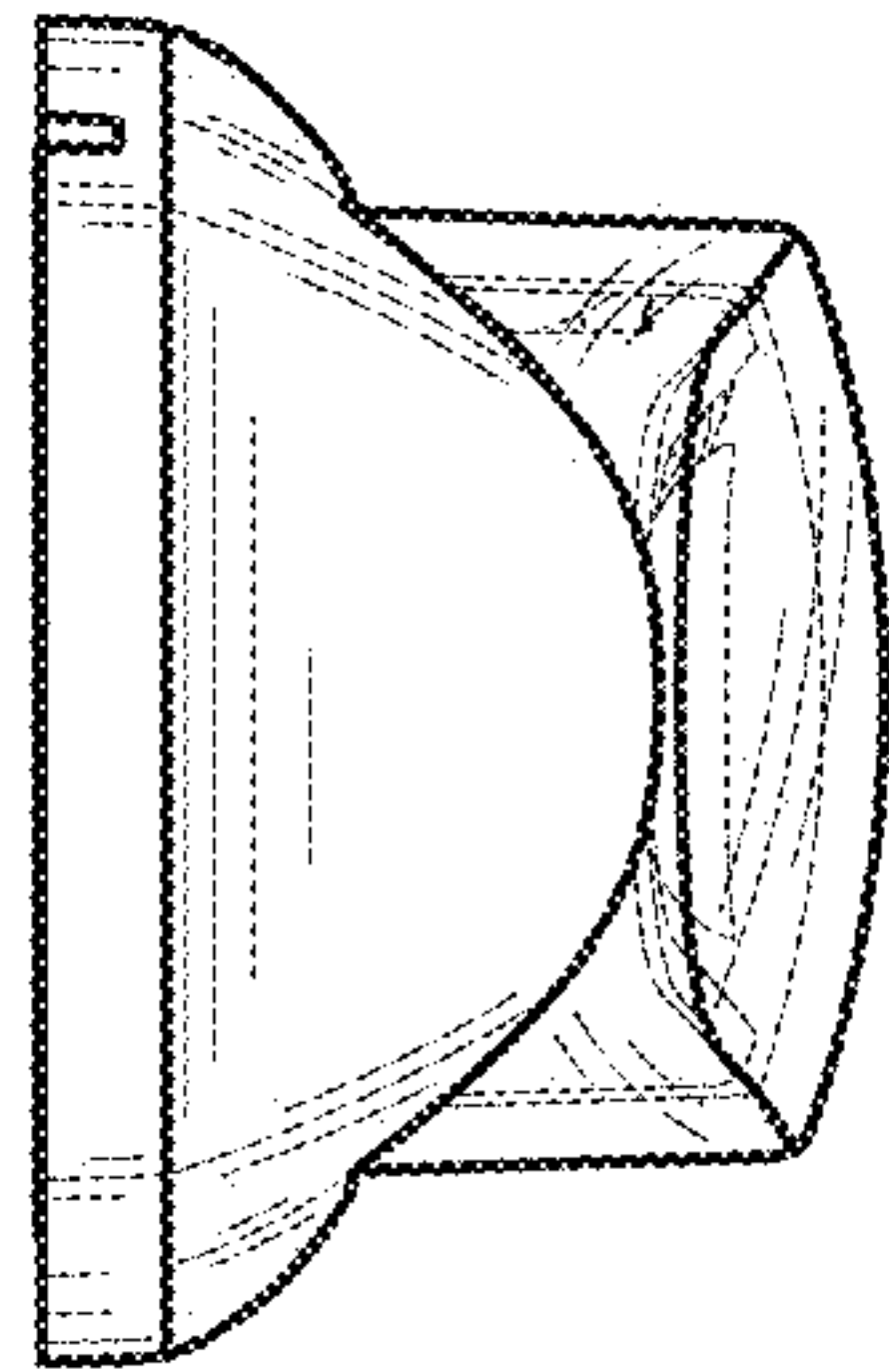


FIG. 4

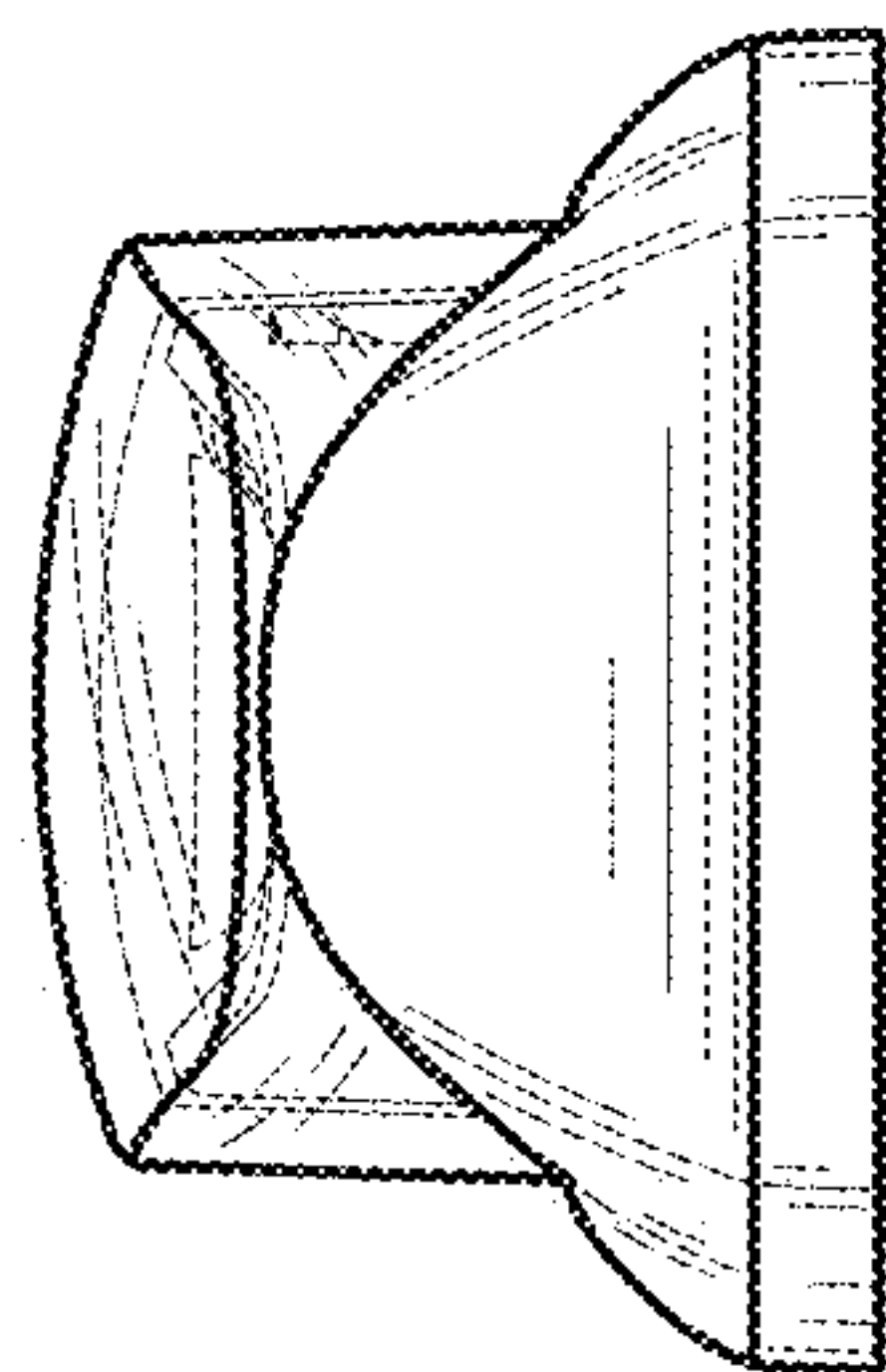


FIG. 5



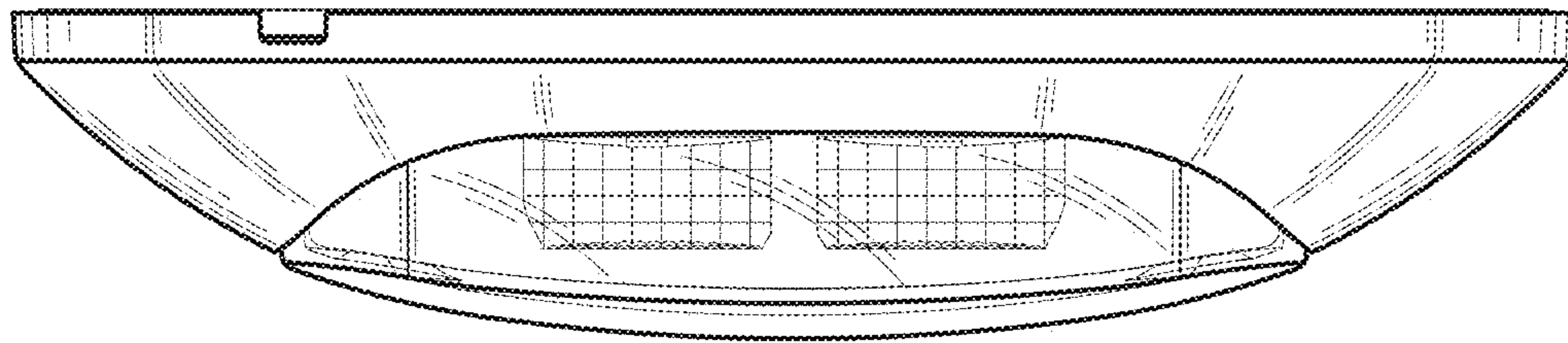


FIG. 6

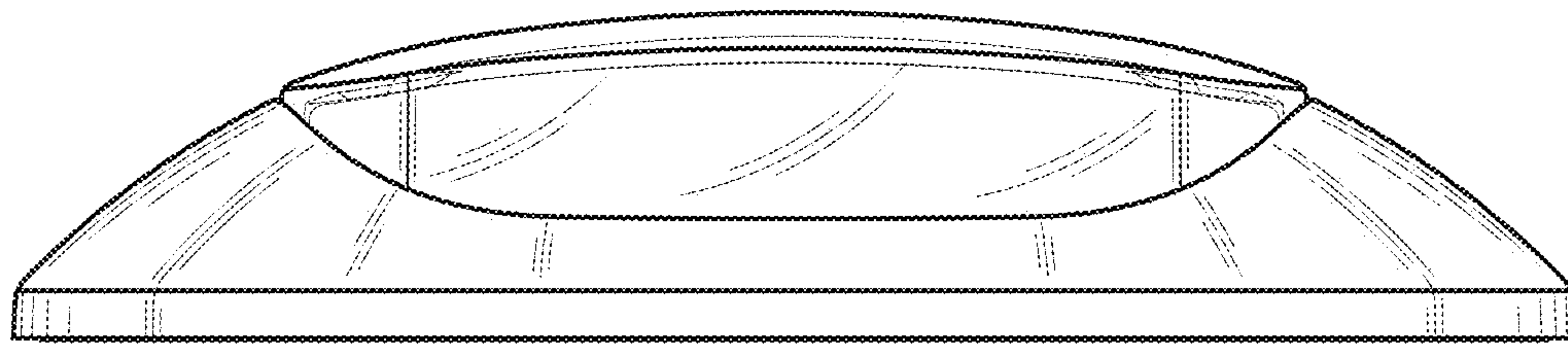


FIG. 7