



US00D883528S

(12) **United States Design Patent**  
**Zheng**

(10) **Patent No.:** **US D883,528 S**

(45) **Date of Patent:** **\*\* May 5, 2020**

(54) **BICYCLE HEADLIGHT**

(71) Applicant: **Yuanzhi Zheng**, Zhejiang (CN)

(72) Inventor: **Yuanzhi Zheng**, Zhejiang (CN)

(\*\*) Term: **15 Years**

(21) Appl. No.: **29/668,672**

(22) Filed: **Nov. 1, 2018**

(51) **LOC (12) Cl.** ..... **26-06**

(52) **U.S. Cl.**  
USPC ..... **D26/28**

(58) **Field of Classification Search**

USPC ..... D26/74, 72, 75, 76, 77, 78, 85, 88, 89,  
D26/118, 138, 141, 28-36; 362/364, 365,  
362/373, 145, 146, 147, 148, 150, 153,  
362/153.1, 294, 296.01, 296, 296.08,  
362/459-468, 475-478, 485-487

CPC ..... F21V 29/2262; F21V 7/06; F21V 21/044;  
F21V 21/047; F21V 29/2212; F21V  
29/2225; F21V 29/2256; F21V 29/225;  
F21V 29/2268; F21V 21/04; F21Y  
2111/002; F21S 8/02; F21S 8/026; F21S  
48/00; F21S 48/10; F21S 48/115; F21S  
48/225; F21S 48/1233; F21S 48/1266;  
F21S 48/1388; F21S 48/2268

See application file for complete search history.

(56) **References Cited**

**U.S. PATENT DOCUMENTS**

D535,411 S \* 1/2007 Lee ..... D26/28  
D535,766 S \* 1/2007 Lee ..... D26/28

D535,767 S \* 1/2007 Lee ..... D26/28  
D605,790 S \* 12/2009 Hsing-Tsun ..... D26/28  
D663,451 S \* 7/2012 Ueda ..... D26/28  
D706,468 S \* 6/2014 Nagano ..... D26/28  
D709,225 S \* 7/2014 Ueda ..... D26/28  
D717,979 S \* 11/2014 Ueda ..... D26/28  
D733,342 S \* 6/2015 Lee ..... D26/28  
D733,948 S \* 7/2015 Liao ..... D26/28  
D757,311 S \* 5/2016 Nagano ..... D26/28  
D779,690 S \* 2/2017 Nagano ..... D26/28  
D783,188 S \* 4/2017 Espejo ..... D26/28

\* cited by examiner

*Primary Examiner* — Angela J Lee

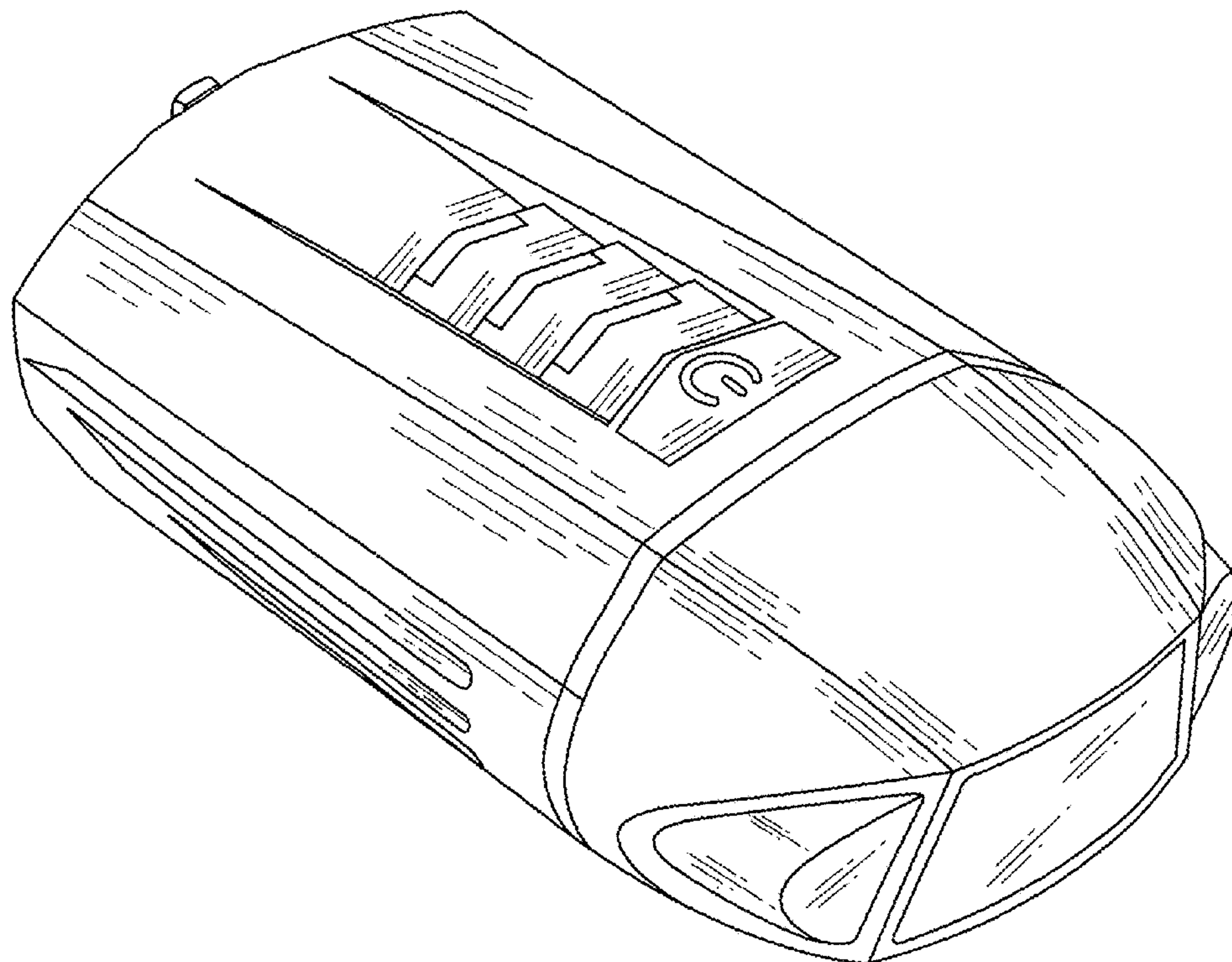
(57) **CLAIM**

The ornamental design for a bicycle headlight, as shown and described.

**DESCRIPTION**

FIG. 1 is a top, front and left side perspective view of a bicycle headlight showing my new design;  
FIG. 2 is a top, rear and left side perspective view thereof;  
FIG. 3 is a front elevation view thereof;  
FIG. 4 is a rear elevation view thereof;  
FIG. 5 is a left side elevation view thereof;  
FIG. 6 is a right side elevation view thereof;  
FIG. 7 is a top plan view thereof; and,  
FIG. 8 is a bottom plan view thereof.  
The broken lines depict portions of the bicycle headlight and form no part of the claimed design.

**1 Claim, 8 Drawing Sheets**



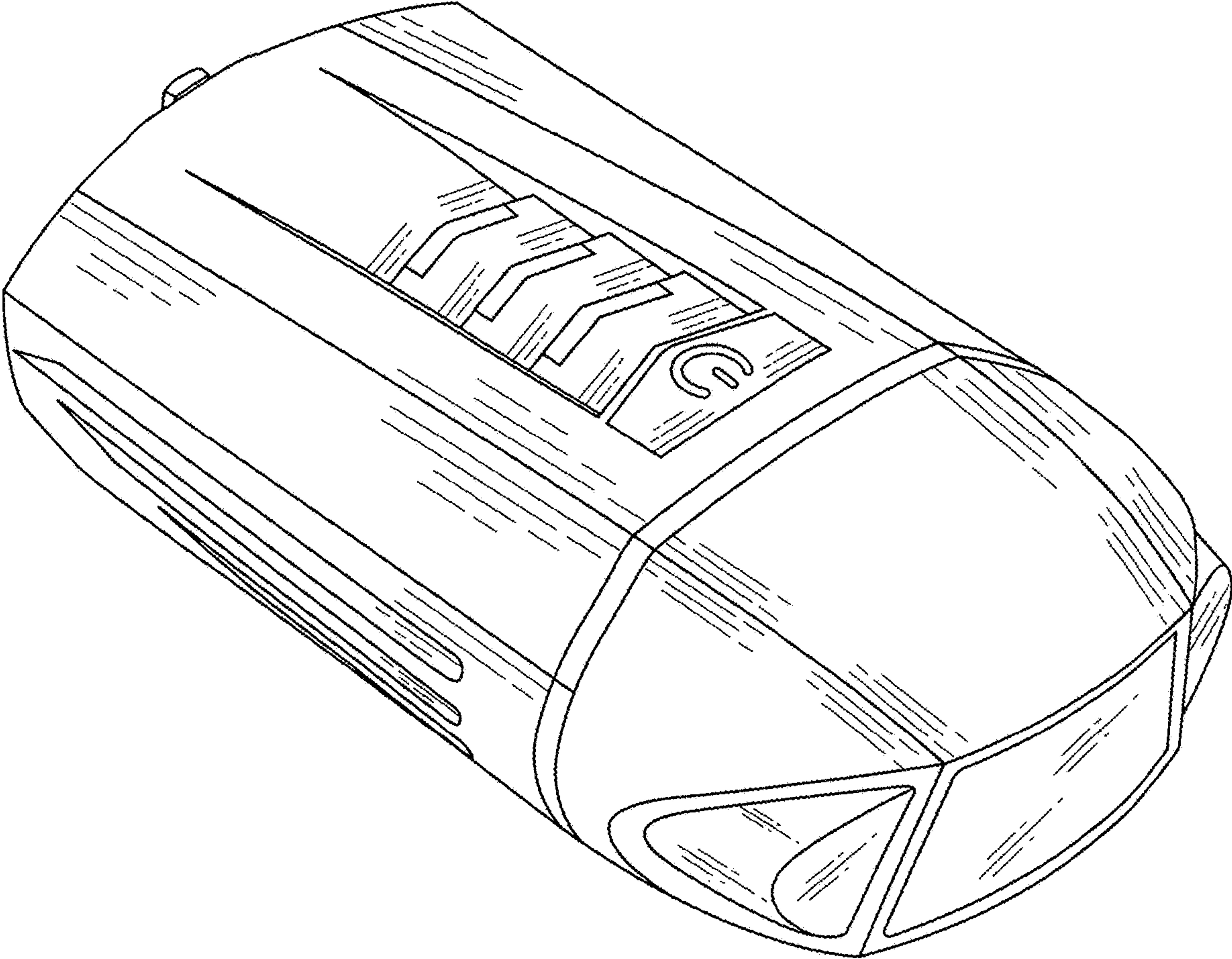


FIG. 1

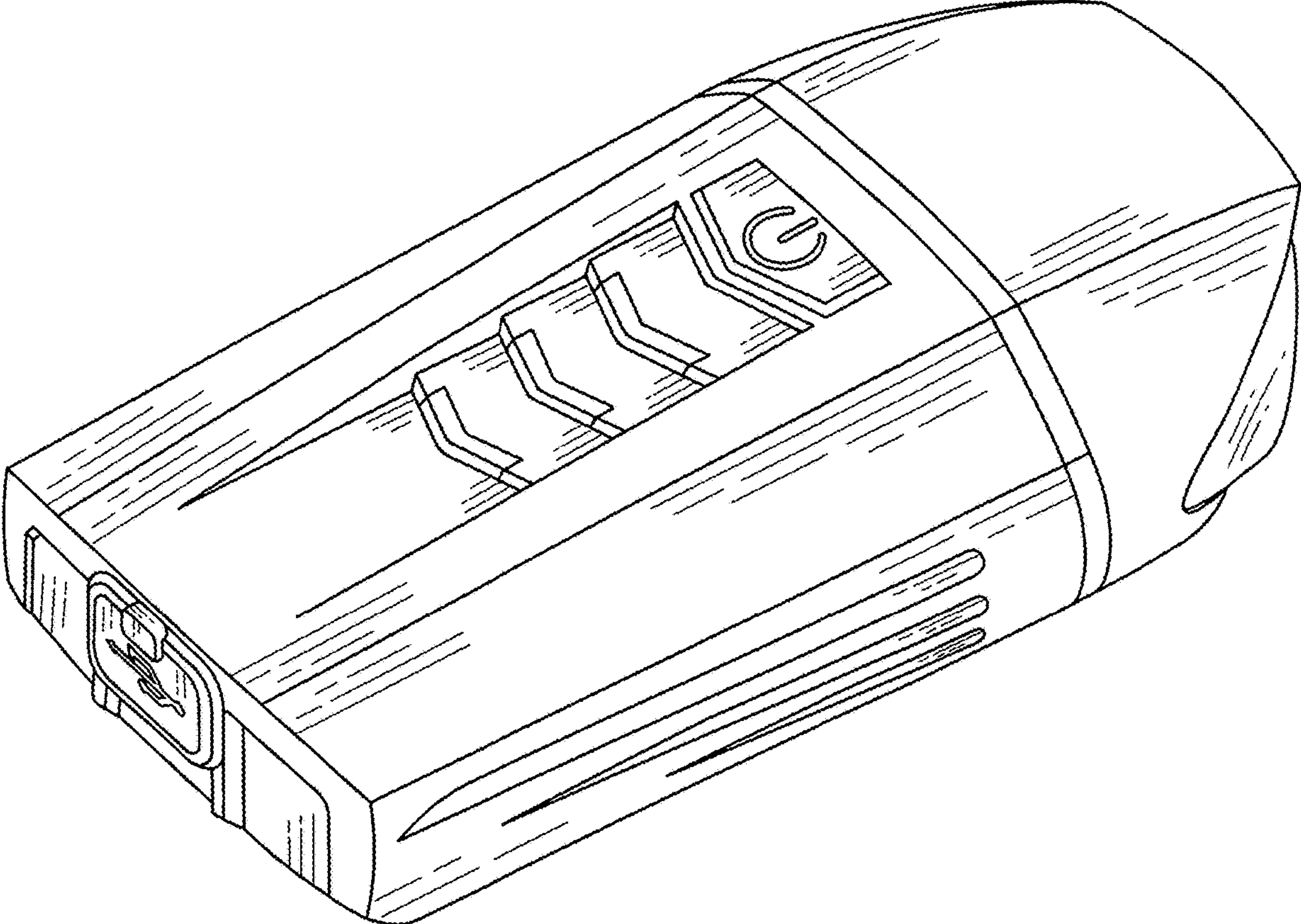


FIG. 2



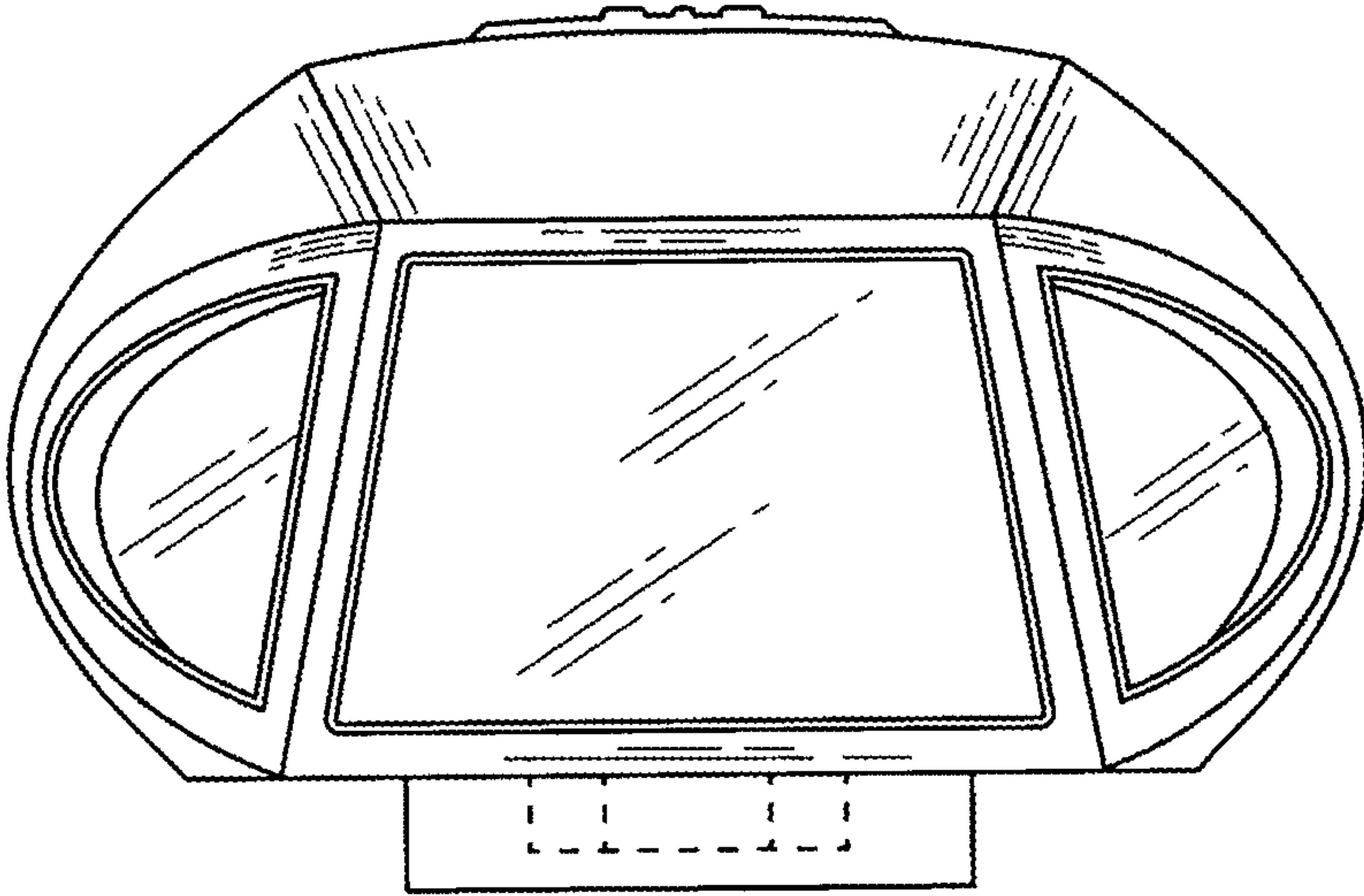


FIG. 3

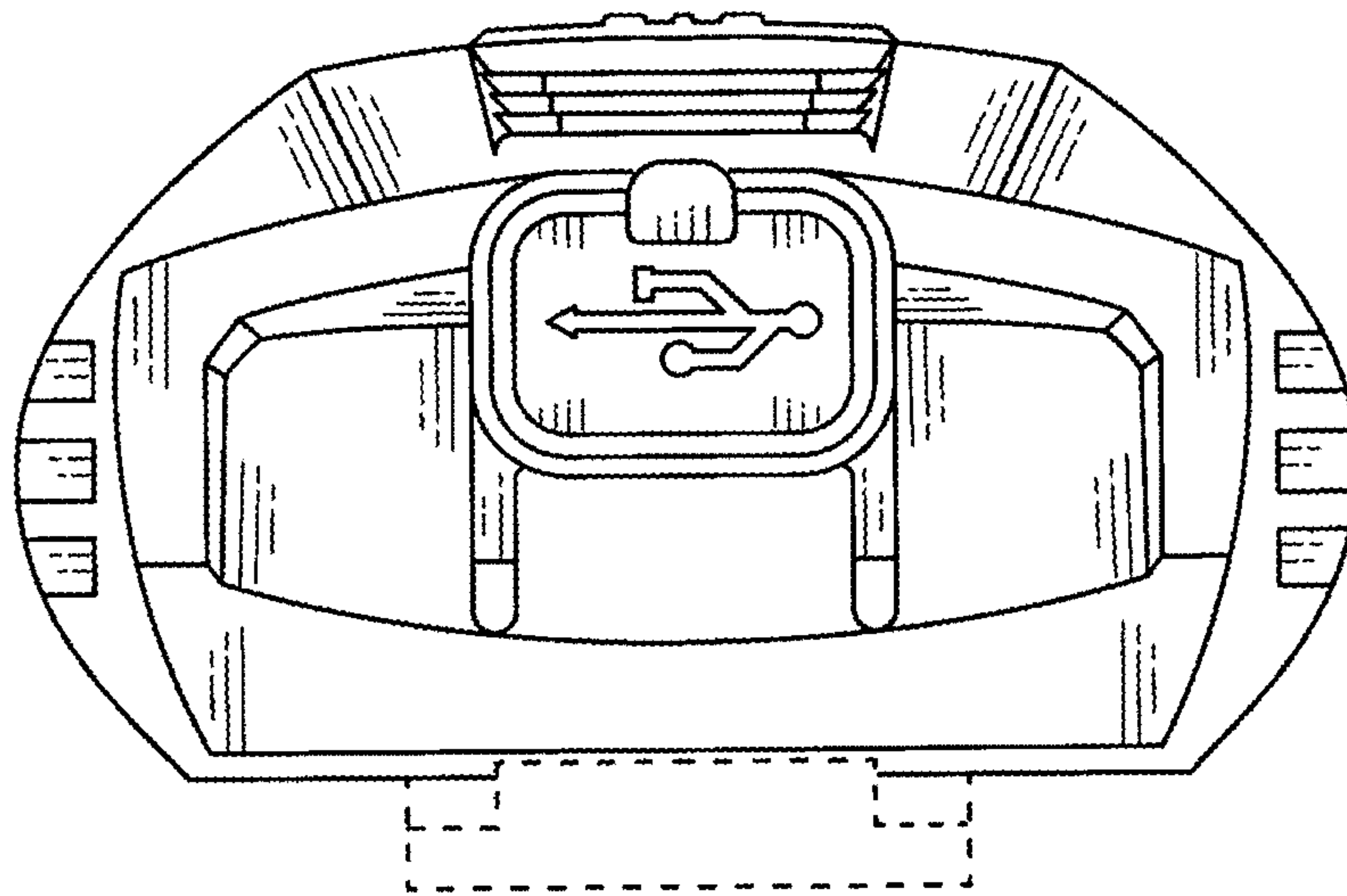


FIG. 4

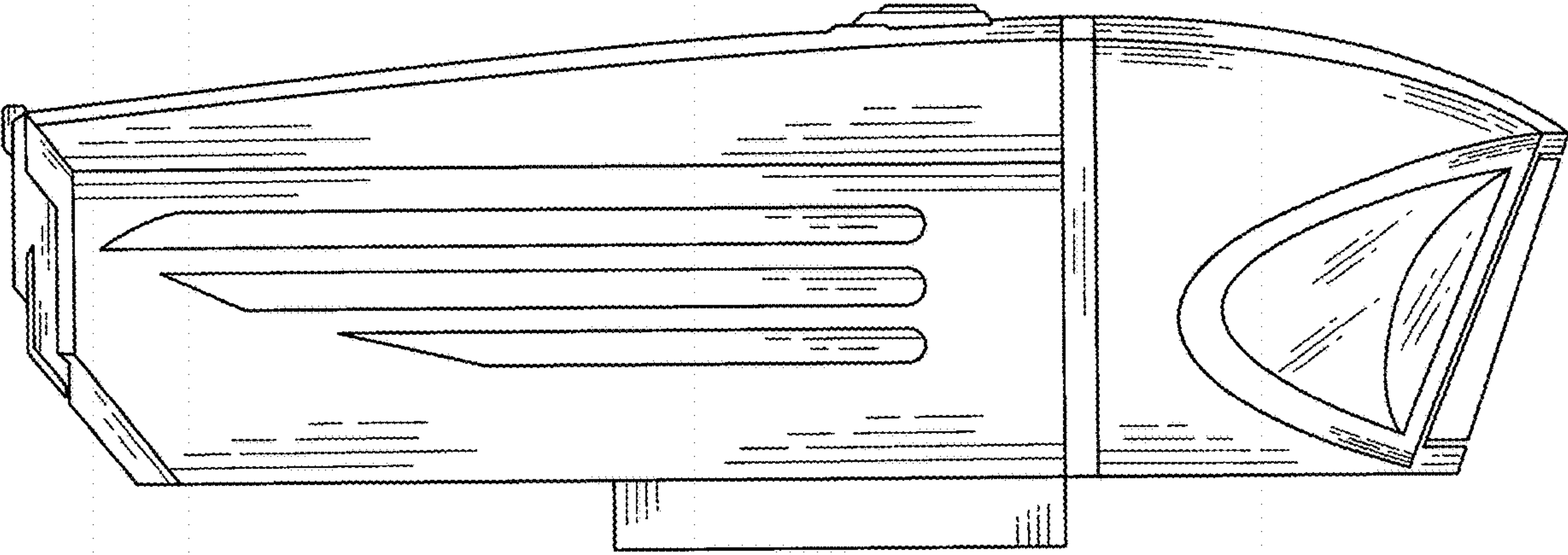


FIG. 5

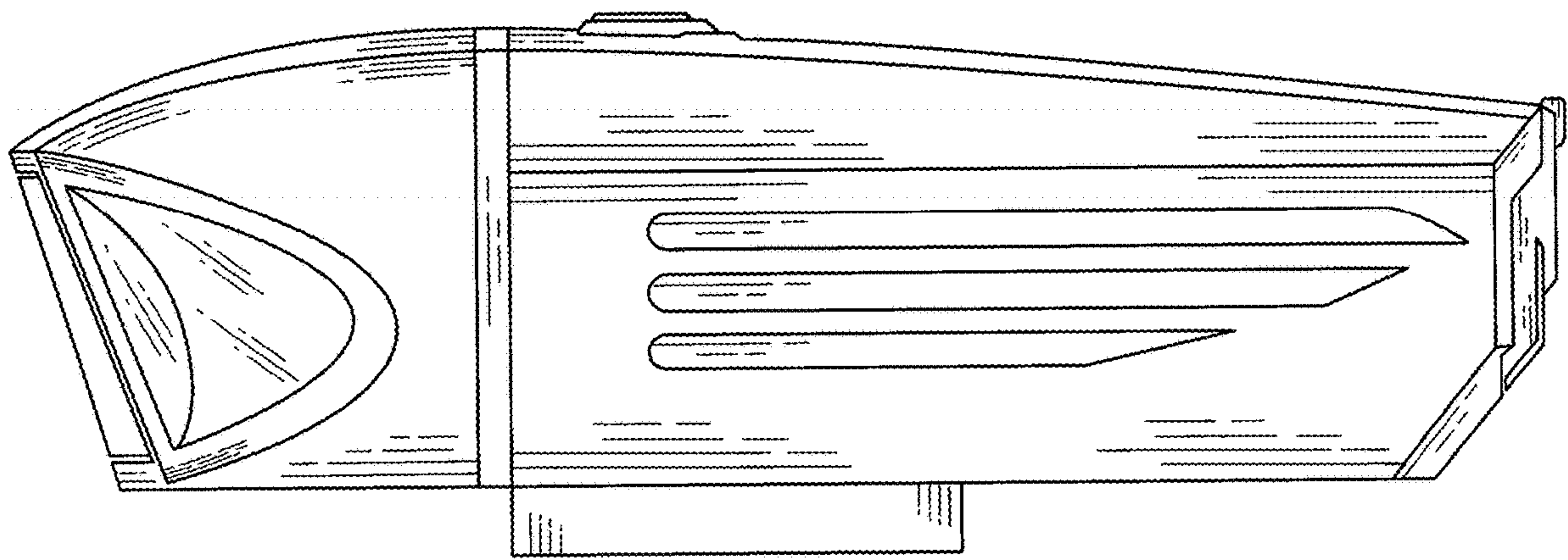


FIG. 6

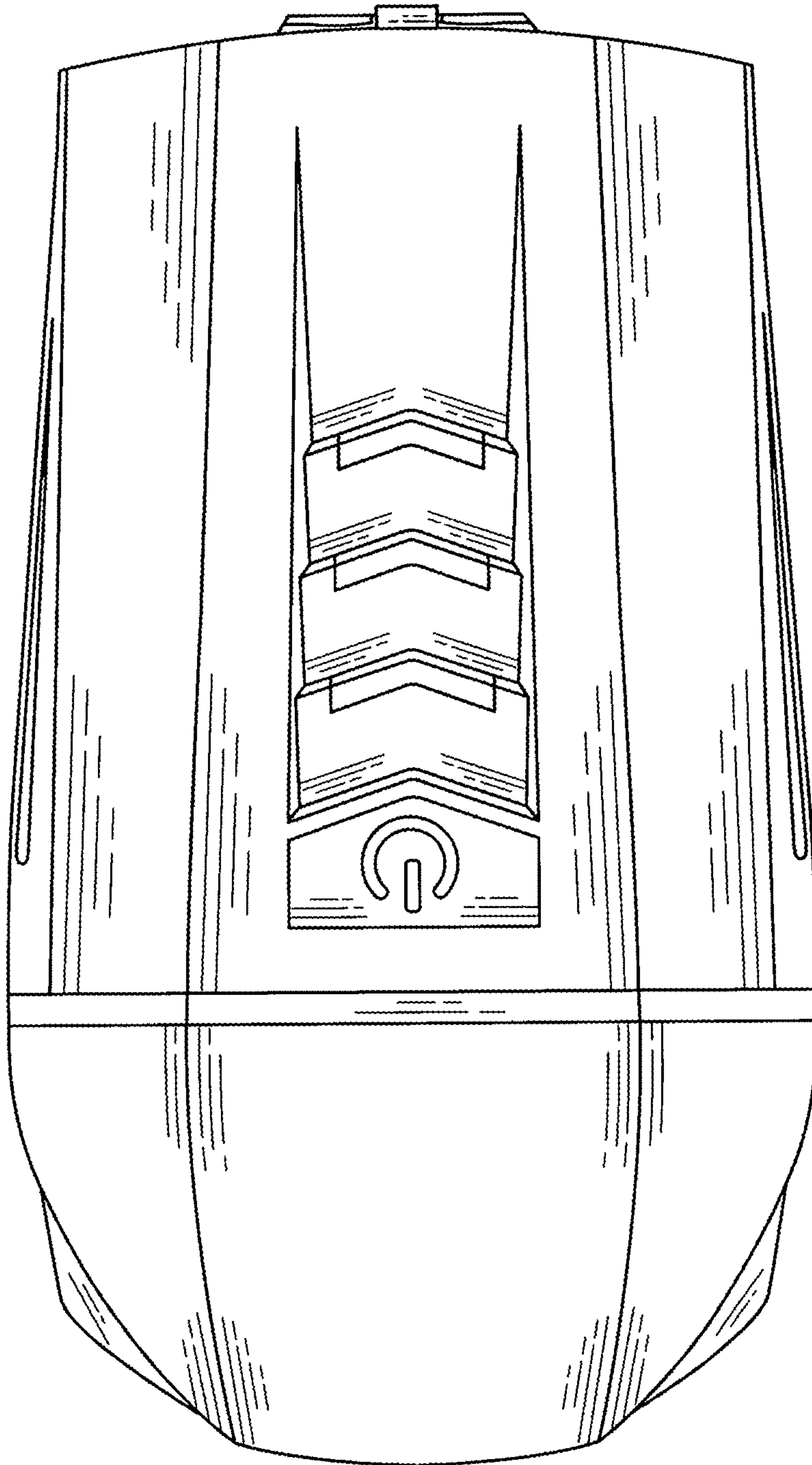


FIG. 7



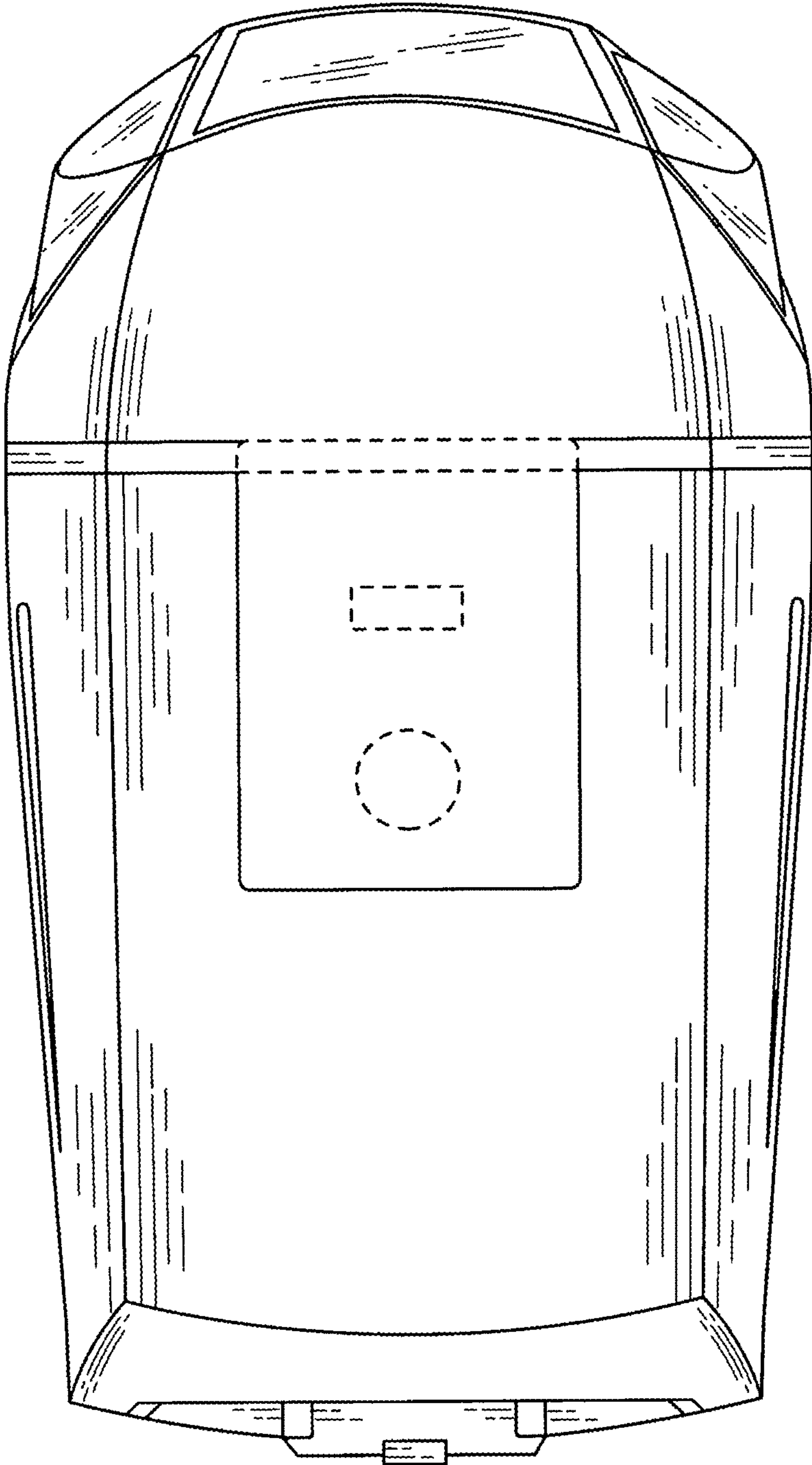


FIG. 8