



US00D883526S

(12) **United States Design Patent** (10) **Patent No.:** **US D883,526 S**  
**Lin** (45) **Date of Patent:** **\*\* May 5, 2020**

(54) **AUTOMOBILE HEADLIGHT**  
(71) Applicant: **Chi-Chung Lin**, Hsinchu (TW)  
(72) Inventor: **Chi-Chung Lin**, Hsinchu (TW)  
(\*\*) Term: **15 Years**  
(21) Appl. No.: **29/648,295**  
(22) Filed: **May 19, 2018**  
(51) **LOC (12) Cl.** ..... **26-06**  
(52) **U.S. Cl.**  
USPC ..... **D26/28**  
(58) **Field of Classification Search**  
USPC ..... D12/86, 90-92, 114, 163, 169, 171-173,  
D12/181, 190, 196, 197, 199, 400;  
D17/1, 222; D26/28-36  
CPC .. B62J 6/02; B62J 6/00; B60Q 3/0279; B60Q  
3/104; B60Q 3/10408; B60Q 3/10466;  
B60Q 3/12653; B60Q 3/128; F21S 48/00;  
F21S 48/10; F21S 48/115; F21S 48/225;  
F21S 48/1233; F21S 48/1266; F21S  
48/1388; F21S 48/2268; F21V 21/04  
See application file for complete search history.

D767,180 S \* 9/2016 Lai ..... D26/28  
D769,478 S \* 10/2016 Gorsten Schuenemann .. D26/28  
D792,618 S \* 7/2017 Wu ..... D26/28  
D792,619 S \* 7/2017 Wu ..... D26/28  
D796,709 S \* 9/2017 Lai ..... D26/28  
D812,274 S \* 3/2018 Wu ..... D26/28  
D816,247 S \* 4/2018 Wu ..... D26/28  
D832,476 S \* 10/2018 Yang ..... D26/28  
D844,199 S \* 3/2019 Lin ..... D26/28  
2014/0192548 A1\* 7/2014 Kracker ..... F21S 41/147  
362/538

\* cited by examiner

*Primary Examiner* — Philip S Hyder  
*Assistant Examiner* — Cary M Robinson  
(74) *Attorney, Agent, or Firm* — Alexander Chen, Esq.

(57) **CLAIM**

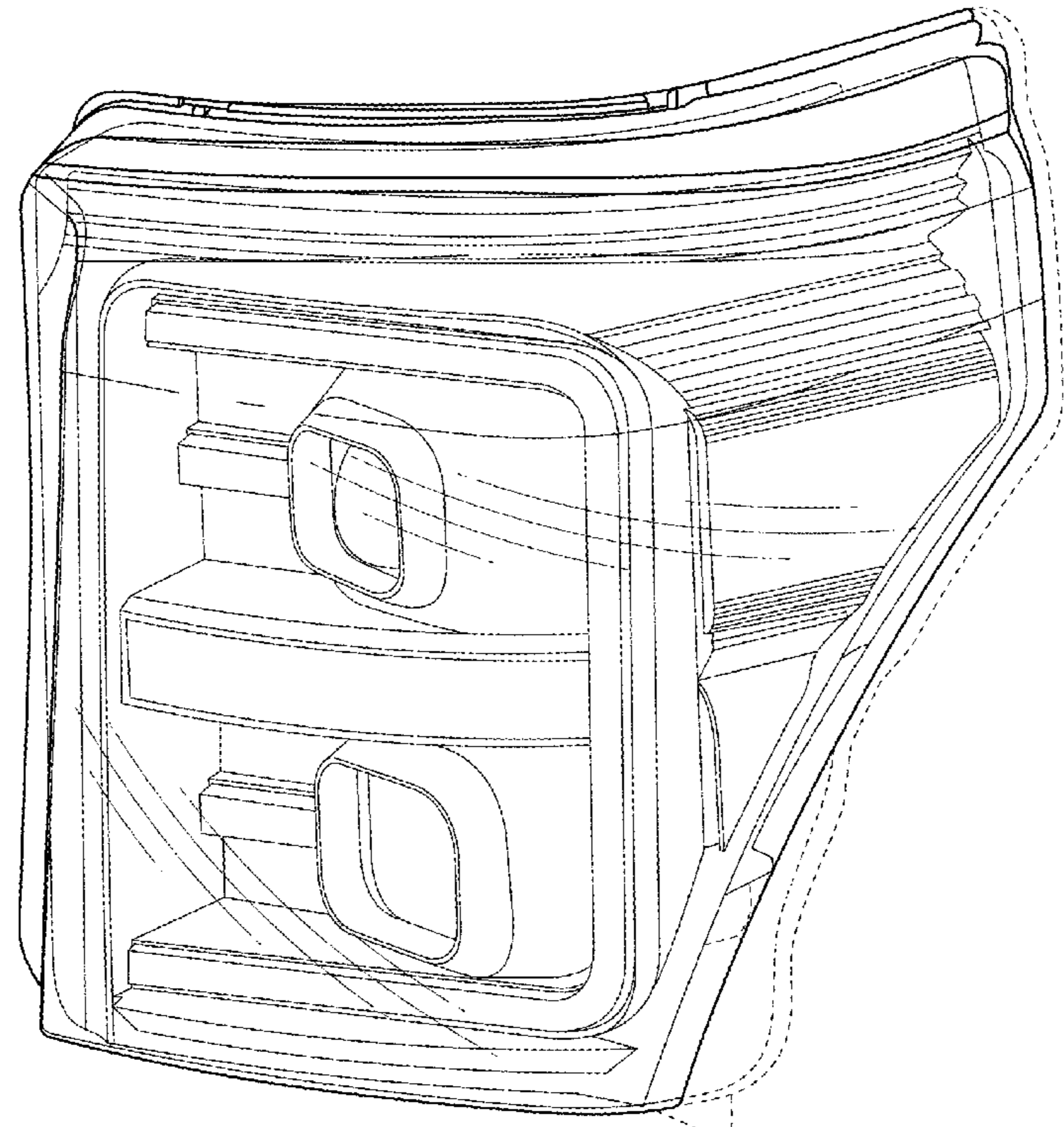
The ornamental design for an automobile headlight, as shown and described.

**DESCRIPTION**

FIG. 1 is a perspective view of an automobile headlight; FIG. 2 is a front view thereof; FIG. 3 is a side view thereof; and, FIG. 4 is a top view thereof. The broken lines illustrate portions of the automobile headlight in which the design is embodied and form no part of the claimed design. The drawings and descriptions represent the left side embodiment. The claim is also for a mirror image right side embodiment.

**1 Claim, 4 Drawing Sheets**

(56) **References Cited**  
U.S. PATENT DOCUMENTS  
D504,734 S \* 5/2005 Weng ..... D26/28  
D593,231 S \* 5/2009 Koman ..... D26/28  
D604,874 S 11/2009 Golden  
D642,711 S \* 8/2011 Schneider ..... D26/28  
D703,847 S \* 4/2014 MacKay ..... D26/28  
D749,246 S \* 2/2016 Thole ..... D26/28



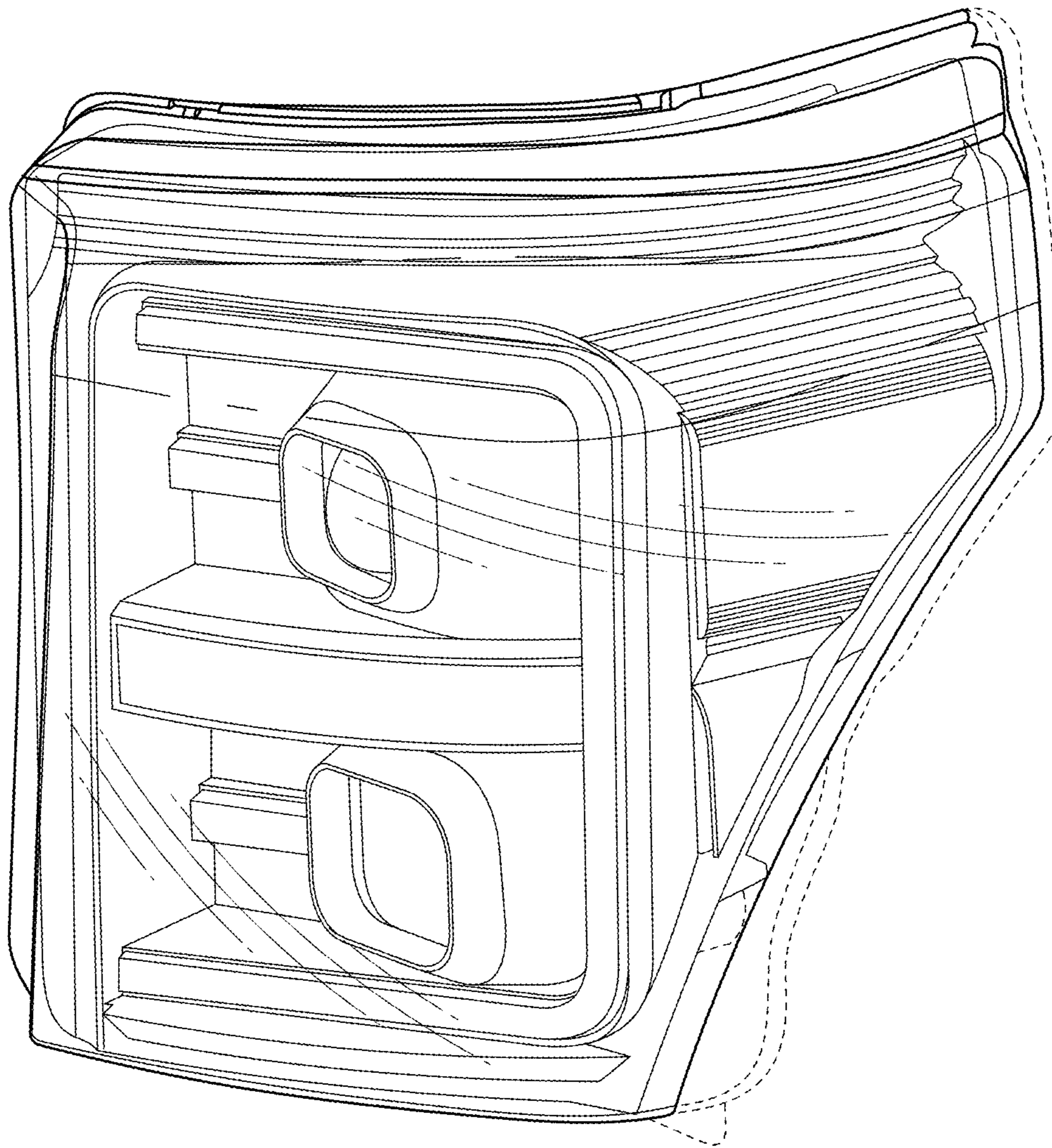


FIG. 1

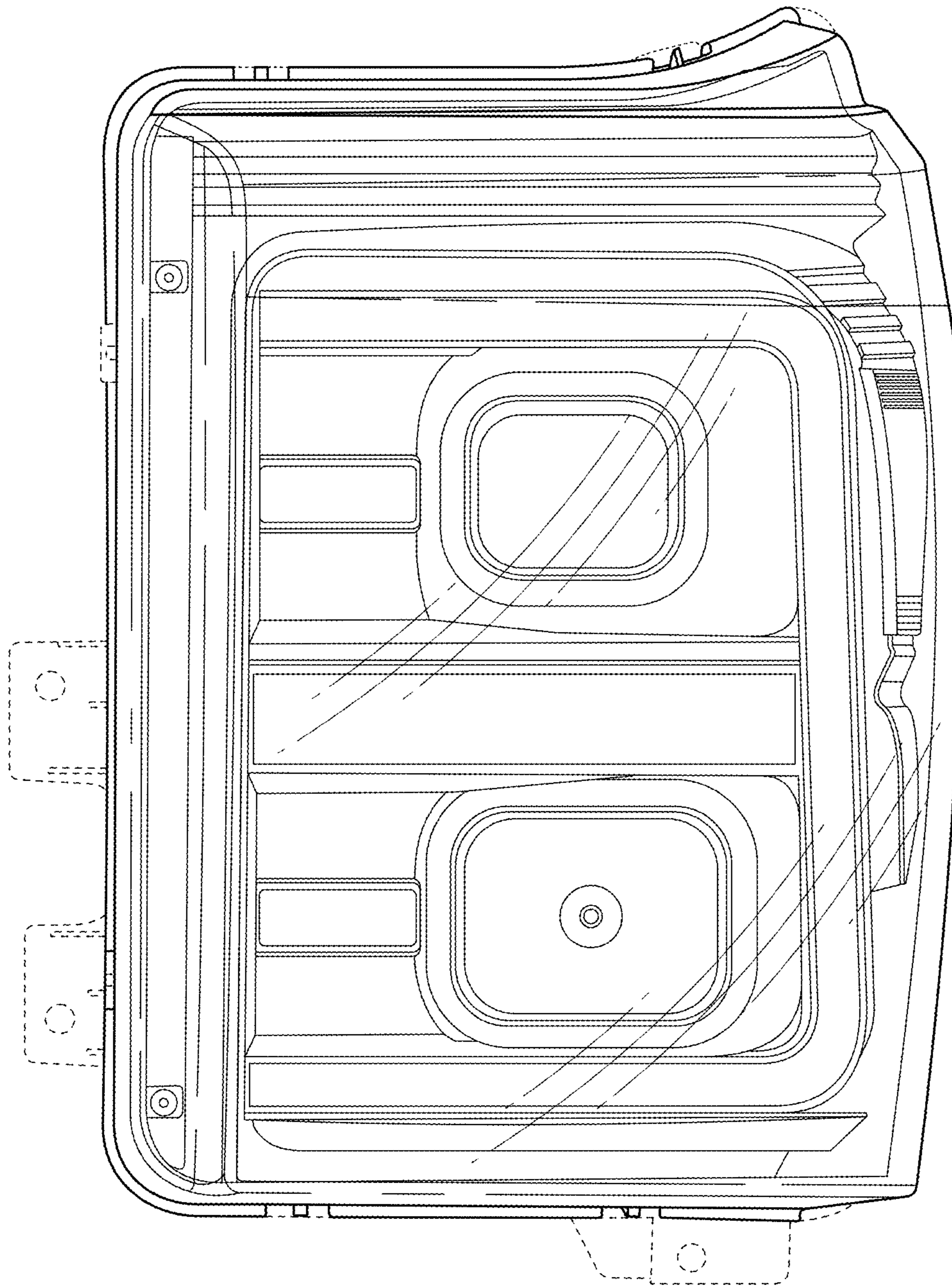


FIG. 2

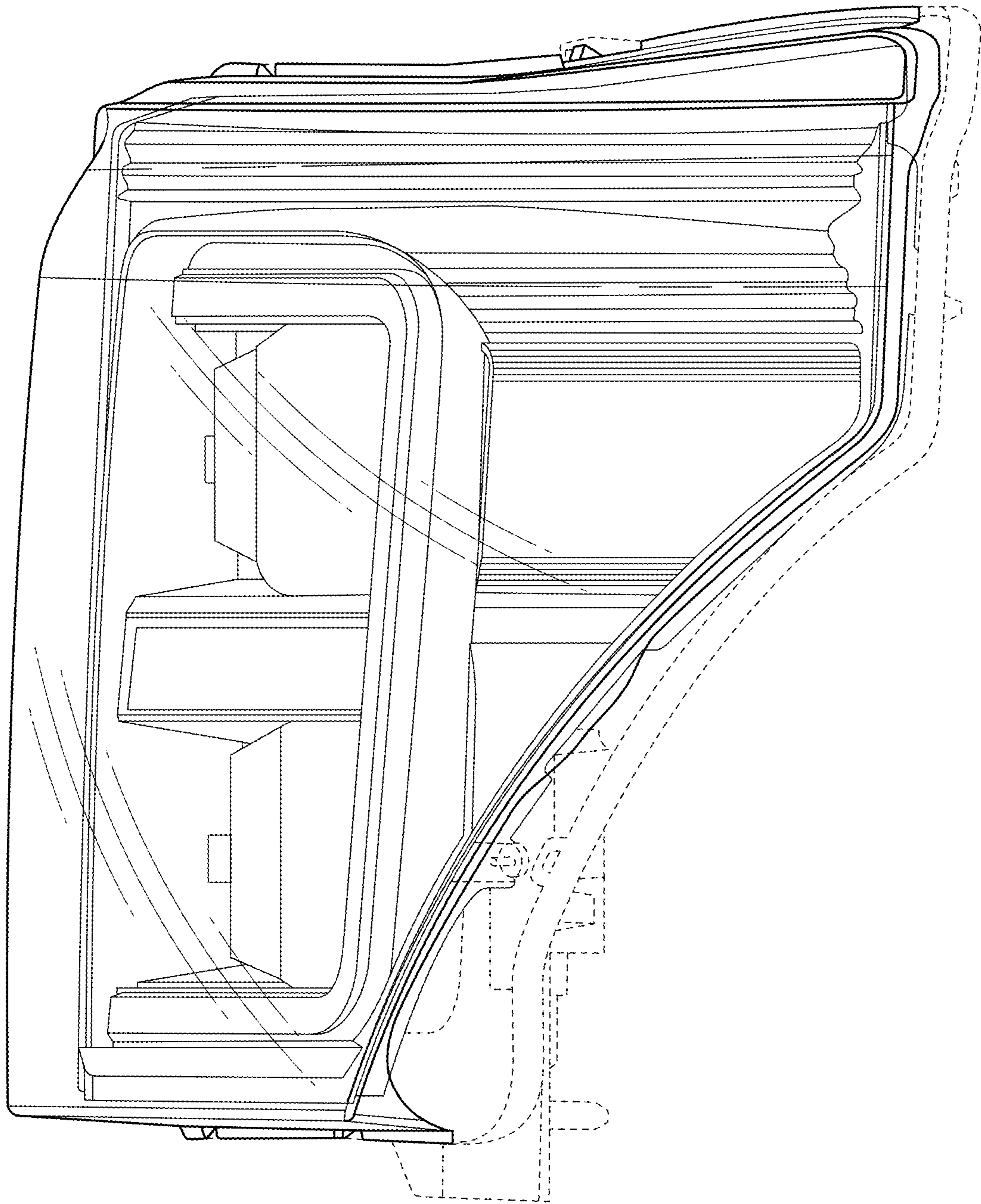


FIG. 3

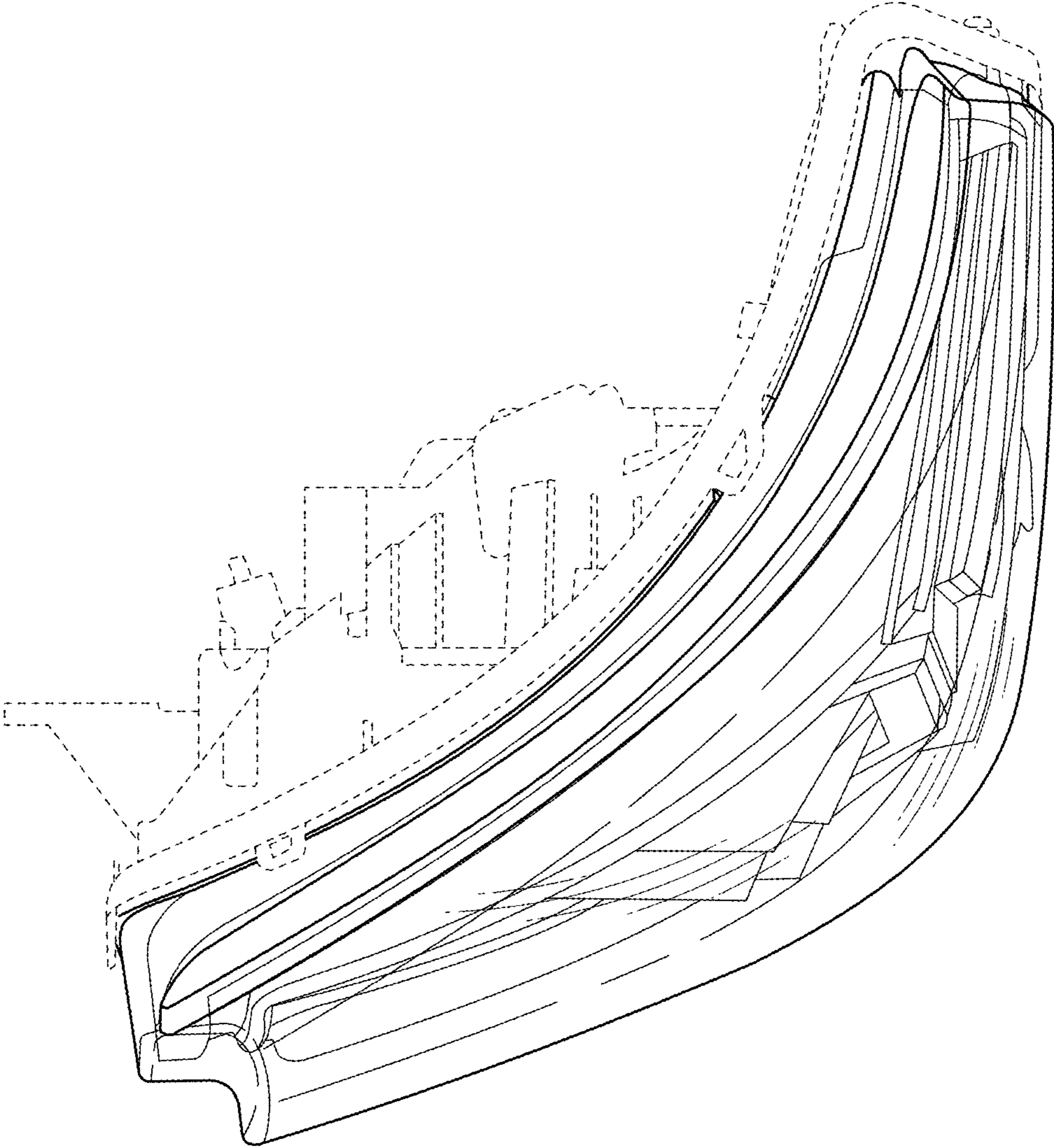


FIG. 4