



US00D883524S

(12) **United States Design Patent** (10) **Patent No.:** **US D883,524 S**
Thompson et al. (45) **Date of Patent:** **** May 5, 2020**

- (54) **NIGHTLIGHT**
- (71) Applicant: **1842728 Ontario Inc**, Barrie (CA)
- (72) Inventors: **Mitchell Thompson**, Barrie (CA); **David Snaith**, Toronto (CA); **Daniel Kowalewski**, Maple (CA); **Steve A. Copeland**, Barrie (CA)
- (73) Assignee: **1842728 Ontario Inc.**, Ontario (CA)
- (**) Term: **15 Years**
- (21) Appl. No.: **29/666,798**
- (22) Filed: **Oct. 16, 2018**

- D393,733 S 4/1998 Gaskins et al.
- D403,442 S 12/1998 Joss
- D426,657 S 6/2000 Joss
- D435,124 S 12/2000 Yuen
- 6,644,834 B2 11/2003 Christen
- 6,894,343 B2 5/2005 Harari et al.
- 6,905,231 B2 6/2005 Dickie
- 6,955,448 B1 10/2005 Lefferson
- D533,956 S 12/2006 Vladika
- D544,618 S 6/2007 Coughaine
- D556,938 S 12/2007 Russello et al.
- 7,303,327 B2 12/2007 Copeland et al.
- D562,492 S 2/2008 Chen
- D574,095 S 7/2008 Hill et al.
- D606,185 S 12/2009 Wefler et al.
- D628,722 S 12/2010 Yamamoto et al.
- D634,055 S 3/2011 Hokazono et al.
- D641,098 S * 7/2011 Wildner D26/85
- D647,227 S 10/2011 Kaule et al.
- D692,549 S * 10/2013 Wirz D23/366
- D736,449 S 8/2015 Getty
- D741,539 S 10/2015 Gettings et al.

Related U.S. Application Data

- (62) Division of application No. 29/600,372, filed on Apr. 12, 2017, now Pat. No. Des. 835,306.
- (51) **LOC (12) Cl.** **26-05**
- (52) **U.S. Cl.**
USPC **D26/26**
- (58) **Field of Classification Search**
USPC D26/26, 24, 113, 118, 119, 120;
D23/366, 367, 369; 362/640, 641, 642,
362/643, 644, 650, 651, 652, 653, 659
CPC F21S 8/035; F21V 23/06; F21V 23/0442;
F21W 2121/00; H01R 2103/00
See application file for complete search history.

Primary Examiner — Angela J Lee
(74) Attorney, Agent, or Firm — Sand, Sebolt & Wernow Co., LPA

CLAIM

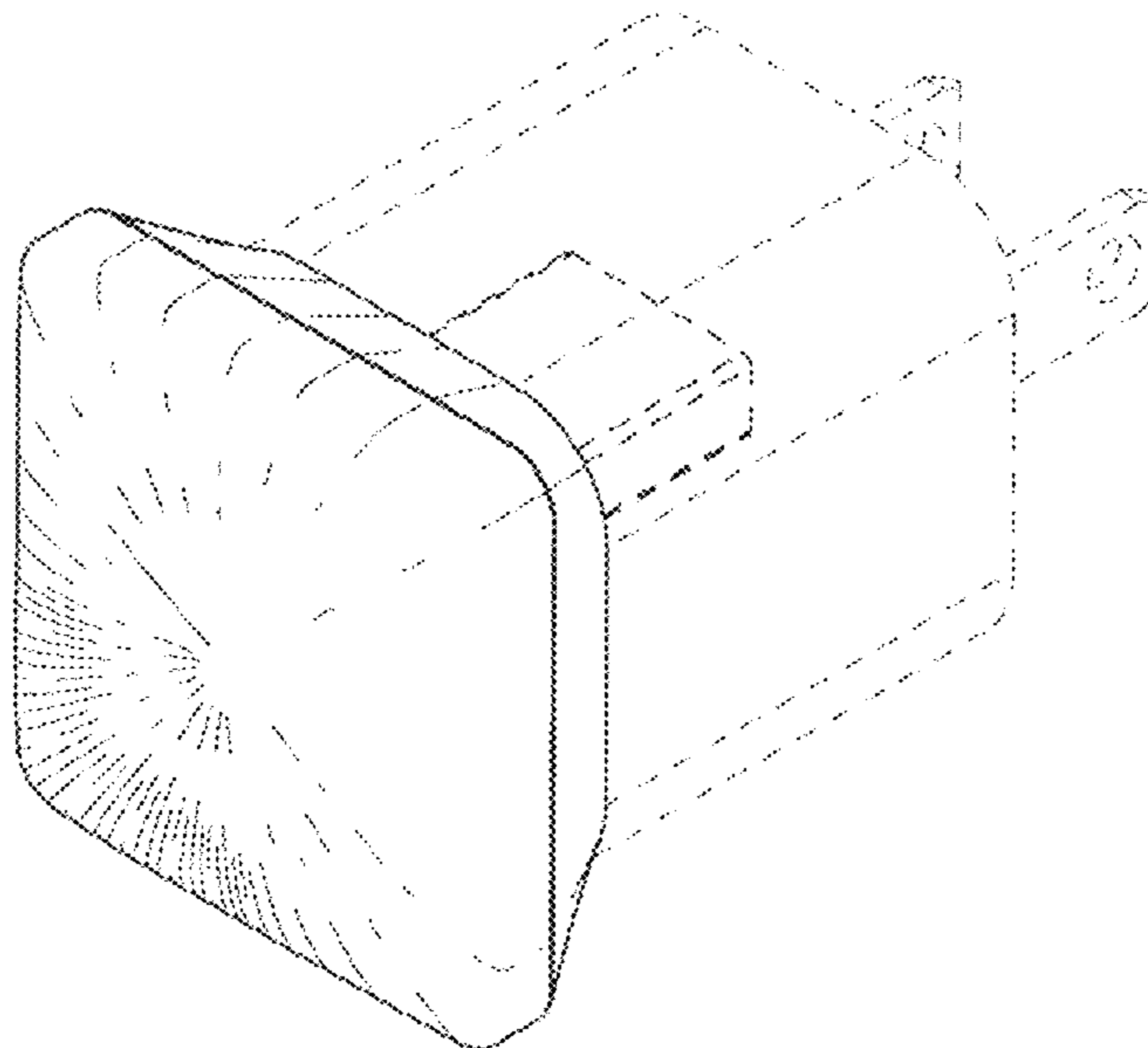
The ornamental design for a nightlight, as shown and described.

DESCRIPTION

FIG. 1 is a front right top isometric perspective view of a new ornamental design for a nightlight;
FIG. 2 is a front elevation view of the nightlight;
FIG. 3 is a rear elevation view of the nightlight, but shown without some of the broken lines for clarity of illustration; and,
FIG. 4 is a right side elevation view of the nightlight, the left side elevation view being a mirror image thereof.

1 Claim, 4 Drawing Sheets

- (56) **References Cited**
U.S. PATENT DOCUMENTS
- 3,780,260 A 12/1973 Elsner
- D352,564 S 11/1994 Marischen
- D375,808 S 11/1996 Fang
- D376,436 S 12/1996 Emmerling
- D377,535 S 1/1997 Shulman
- 5,662,408 A 9/1997 Marischen
- D392,756 S 3/1998 Hanig et al.



(56)

References Cited

U.S. PATENT DOCUMENTS

9,408,282 B1	8/2016	Springer					
D770,075 S *	10/2016	Huang	D26/74	10,299,326 B2 *	5/2019	Thompson	H05B 33/0803
D771,860 S	11/2016	Weiss et al.		D852,176 S *	6/2019	Moon	D14/240
D777,367 S	1/2017	Ma		2002/0014960 A1	2/2002	Williams, Jr.	
D779,977 S	2/2017	Jacob et al.		2003/0193795 A1	10/2003	Brown	
9,568,171 B1	2/2017	Grider et al.		2004/0145890 A1	7/2004	Liao	
9,633,557 B2	4/2017	Dimberg et al.		2007/0253192 A1	11/2007	Monteiro et al.	
D794,765 S	8/2017	Brandenburg et al.		2008/0123332 A1	5/2008	Searfoss	
9,759,421 B1	9/2017	Baschnagel		2009/0073694 A1	3/2009	Scannell, Jr.	
D800,678 S *	10/2017	Omori	D13/180	2012/0009807 A1	1/2012	Kuo	
D808,046 S *	1/2018	Jianting	D26/26	2014/0016331 A1	1/2014	Ting	
D821,615 S *	6/2018	Trice	D26/26	2014/0316581 A1	10/2014	Fadell et al.	
D826,465 S *	8/2018	Knuepfel	D26/118	2015/0249336 A1	9/2015	Raneri	
D829,364 S *	9/2018	Momin	D26/120	2015/0371534 A1	12/2015	Dimberg et al.	
D835,306 S *	12/2018	Thompson	D26/26	2016/0025316 A1	1/2016	Chien	
D835,307 S *	12/2018	Thompson	D26/26	2016/0173746 A1	6/2016	Chien	
D835,327 S *	12/2018	Li	D26/89	2016/0181726 A1	6/2016	Zhang	
				2016/0313636 A1	10/2016	Chien	
				2017/0193814 A1	7/2017	Dimberg et al.	
				2017/0205058 A1	7/2017	Ostrander	

* cited by examiner

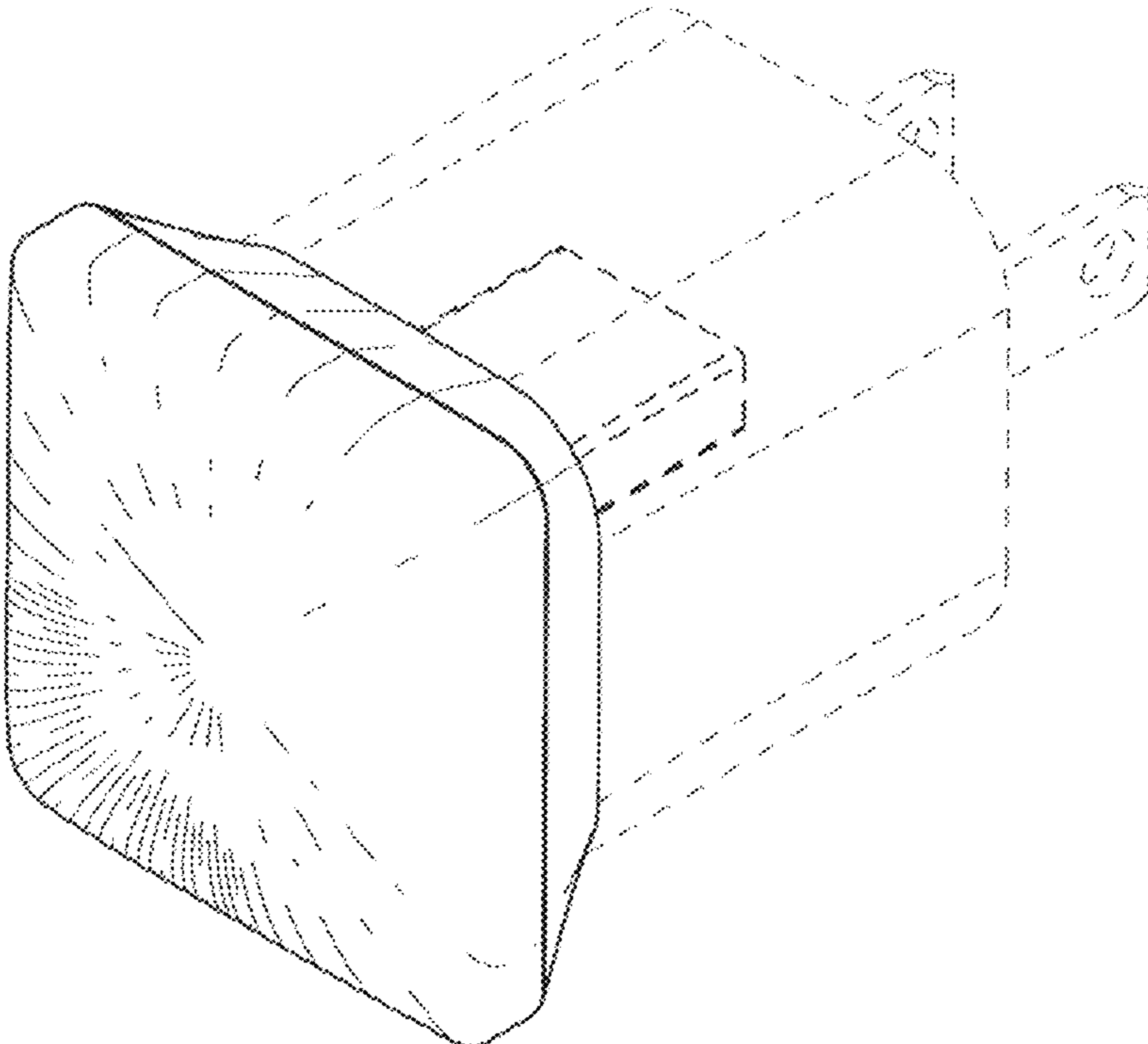


FIG. 1

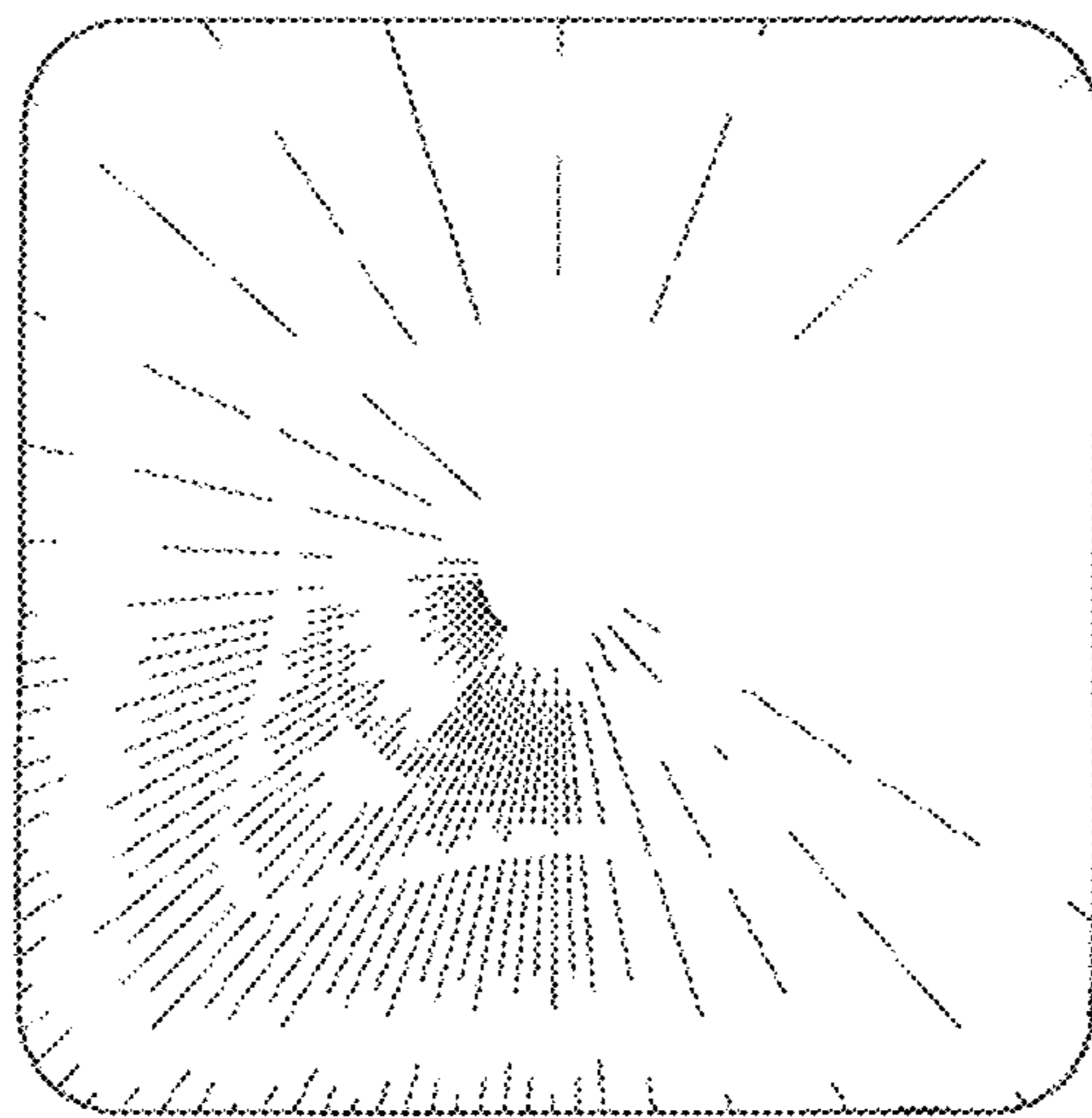


FIG. 2

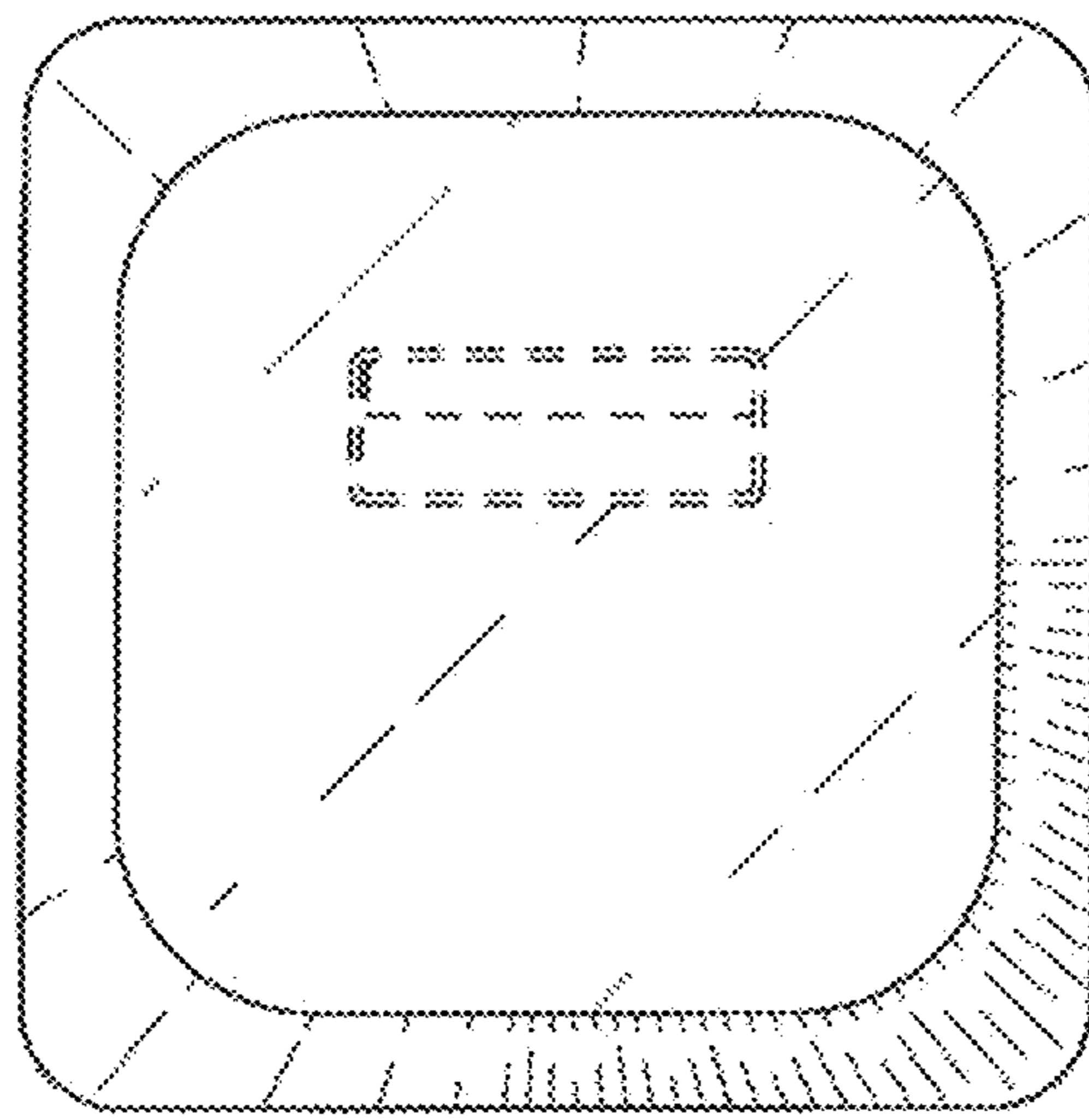


FIG. 3

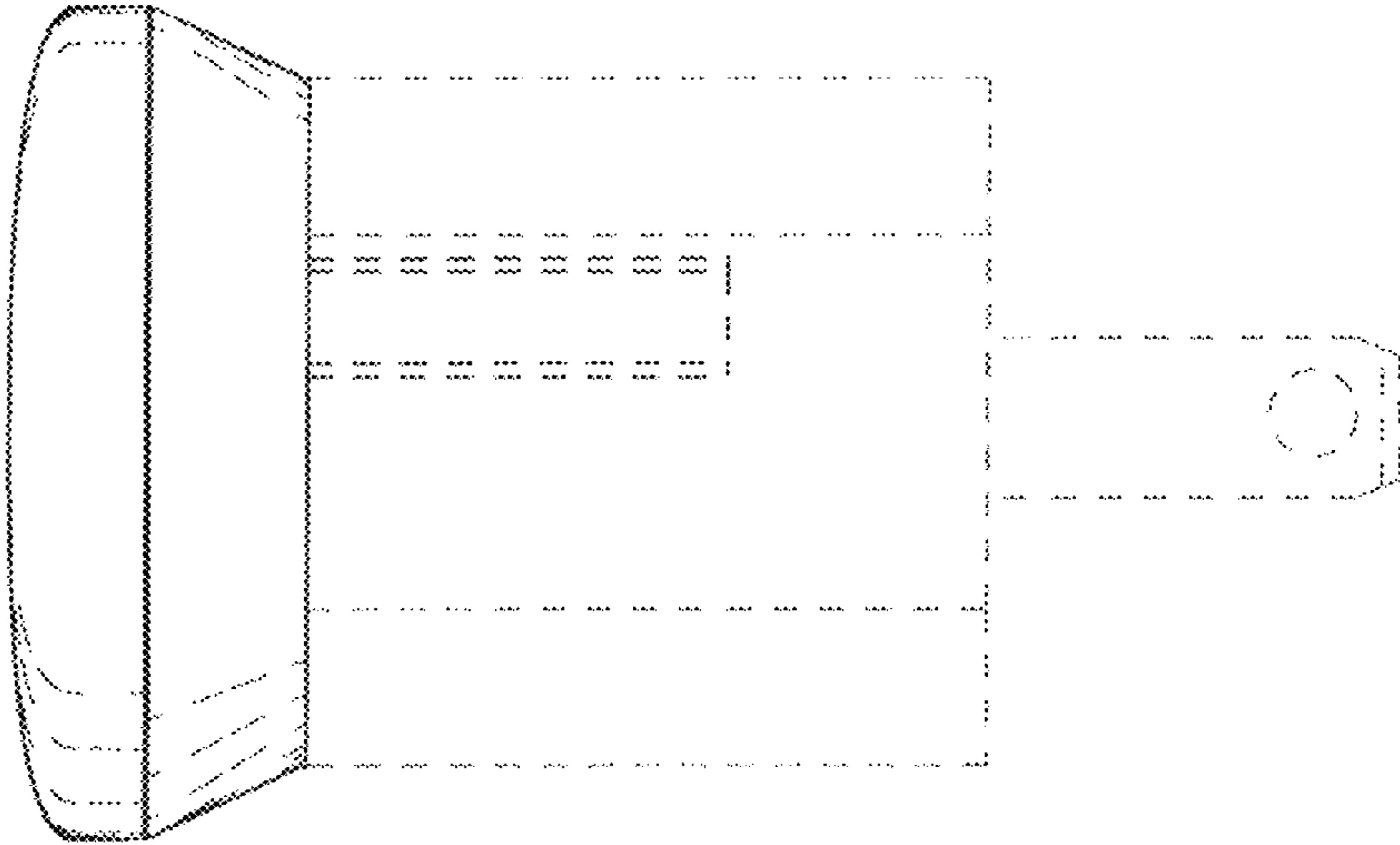


FIG. 4