



US00D883518S

(12) **United States Design Patent** (10) **Patent No.:** **US D883,518 S**  
**Jaworski** (45) **Date of Patent:** **\*\* May 5, 2020**

(54) **REVOLVING DOOR WEATHERSTRIPPING**

(71) Applicant: **Adam Jaworski**, Elgin, IL (US)

(72) Inventor: **Adam Jaworski**, Elgin, IL (US)

(\*\*) Term: **15 Years**

(21) Appl. No.: **29/656,963**

(22) Filed: **Jul. 18, 2018**

(51) **LOC (12) Cl.** ..... **25-02**

(52) **U.S. Cl.**  
USPC ..... **D25/48.2**

(58) **Field of Classification Search**  
USPC ..... D25/48.2, 119-125, 136, 164, 199  
CPC .. E06B 7/22; E06B 3/90; D03D 39/00; D03D  
2700/54; E05Y 2900/132  
See application file for complete search history.

(56) **References Cited**

**U.S. PATENT DOCUMENTS**

D25,442 S *	4/1896	Mannstaedt	.....	D25/121
1,245,473 A *	11/1917	Lent	.....	E06B 7/22 49/489.1
RE16,770 E *	10/1927	Hall	.....	E06B 7/22 49/493.1
2,084,781 A	6/1937	Shields		
3,002,253 A	10/1961	Kessler		
D228,748 S *	10/1973	Littmann	.....	D25/122
5,560,168 A *	10/1996	Gagne	.....	E06B 3/5892 248/488
D664,669 S *	7/2012	Schoonover	.....	D25/121

**OTHER PUBLICATIONS**

CJ Rush OEM, photo of OEM stripping available as early as 2016; the year of pub. is sufficiently earlier than the effective U.S. filing date so that the month is not at issue.  
Crane OEM, photo of OEM stripping available as early as 2016; the year of pub. is sufficiently earlier than the effective U.S. filing date so that the month is not at issue.

\* cited by examiner

*Primary Examiner* — Leanne Was-Englehart  
(74) *Attorney, Agent, or Firm* — Pauley Erickson & Kottis

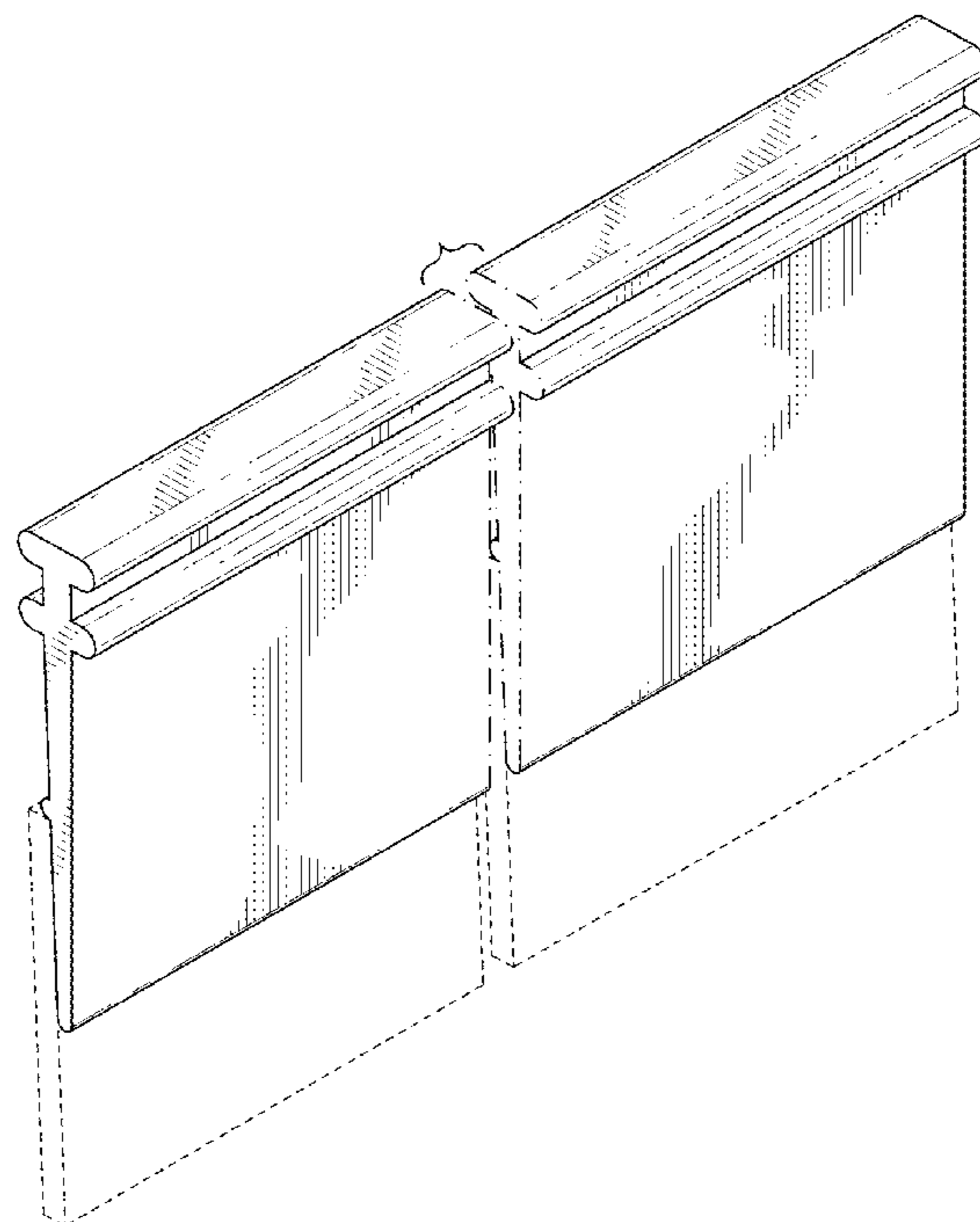
(57) **CLAIM**

The ornamental design for a revolving door weatherstripping, as shown and described.

**DESCRIPTION**

FIG. 1 is a perspective view of a revolving door weatherstripping;  
FIG. 2 is a side view of the revolving door weatherstripping, as shown in FIG. 1;  
FIG. 3 is a side view, opposite the side view in FIG. 2, of the revolving door weatherstripping, as shown in FIG. 1;  
FIG. 4 is a side end view of the revolving door weatherstripping, as shown in FIG. 1;  
FIG. 5 is a side end view, opposite the side view in FIG. 4, of the revolving door weatherstripping, as shown in FIG. 1;  
FIG. 6 is a top view of the revolving door weatherstripping, as shown in FIGS. 1; and,  
FIG. 7 is a bottom view of the revolving door weatherstripping, as shown in FIG. 1.  
The evenly spaced broken lines depict environment that forms no part of the claimed design. The drawings also contain a symbolic break. The portion between the break lines forms no part of the claimed design.

**1 Claim, 5 Drawing Sheets**



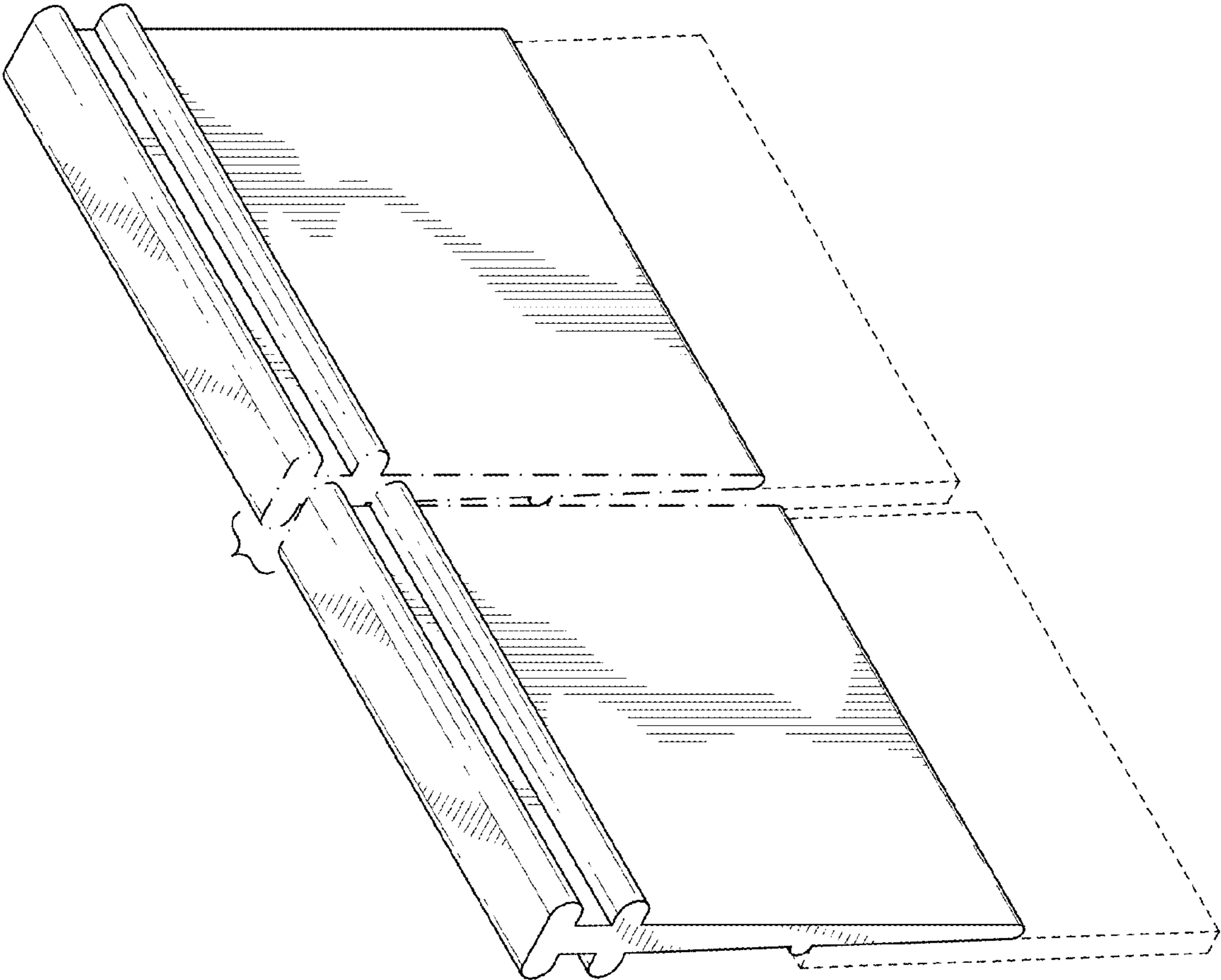


FIG. 1

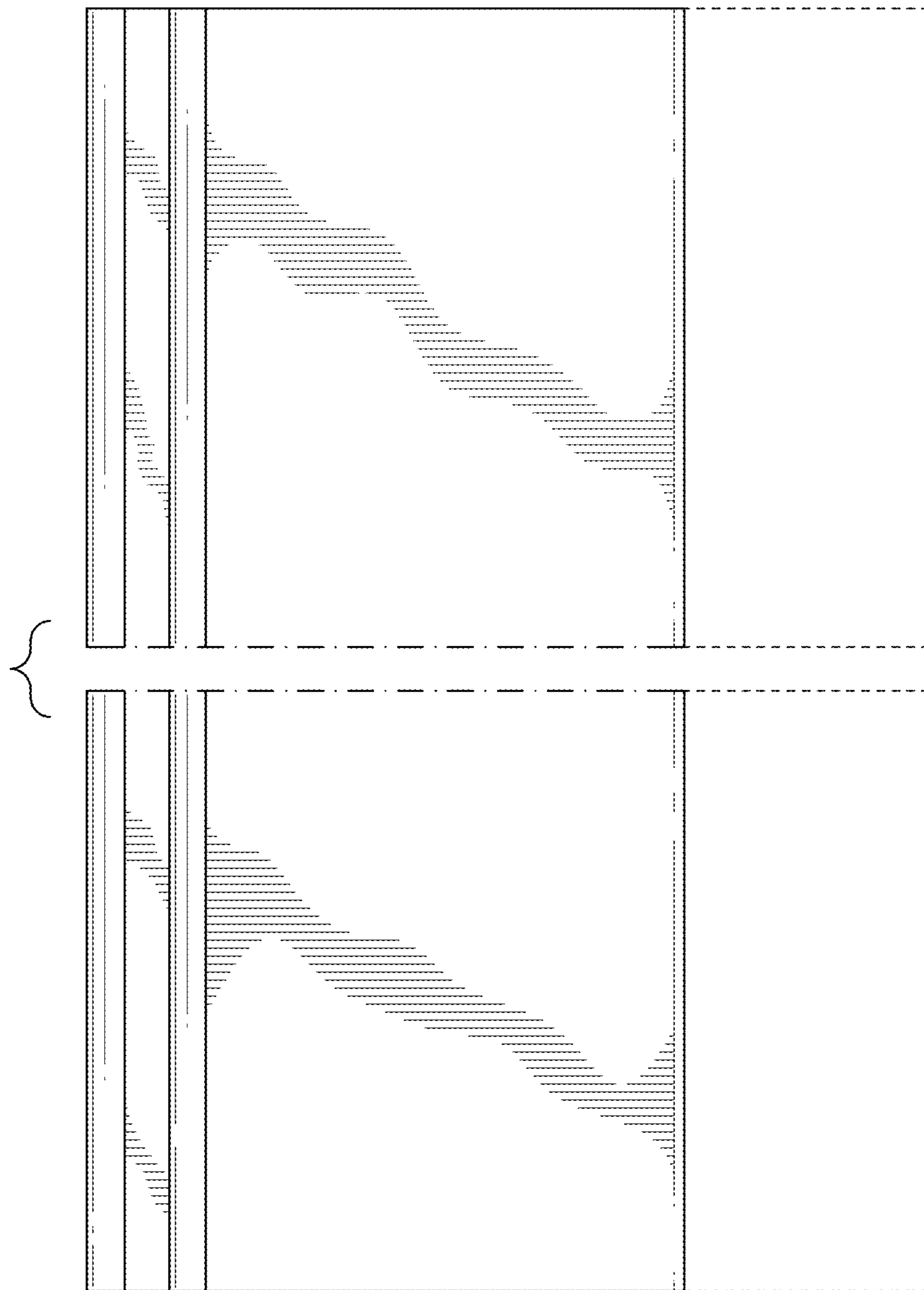


FIG. 2

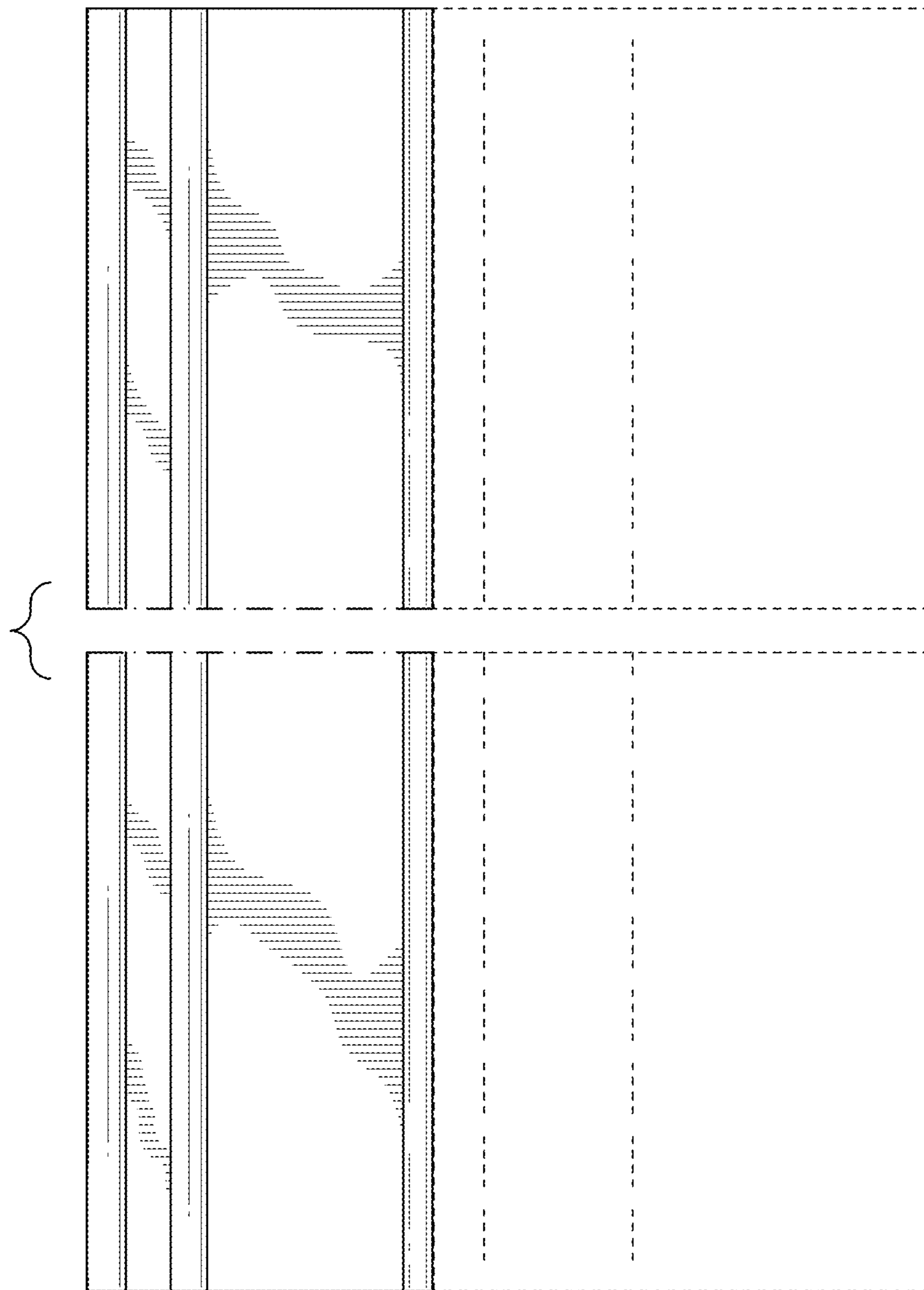


FIG. 3

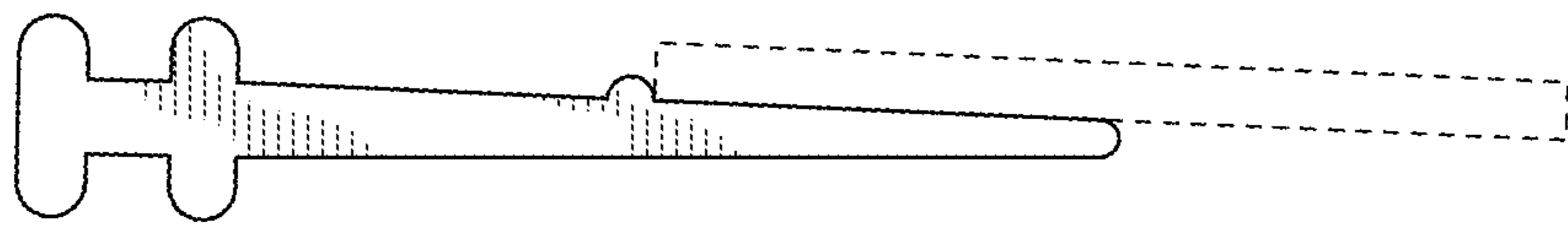


FIG. 5

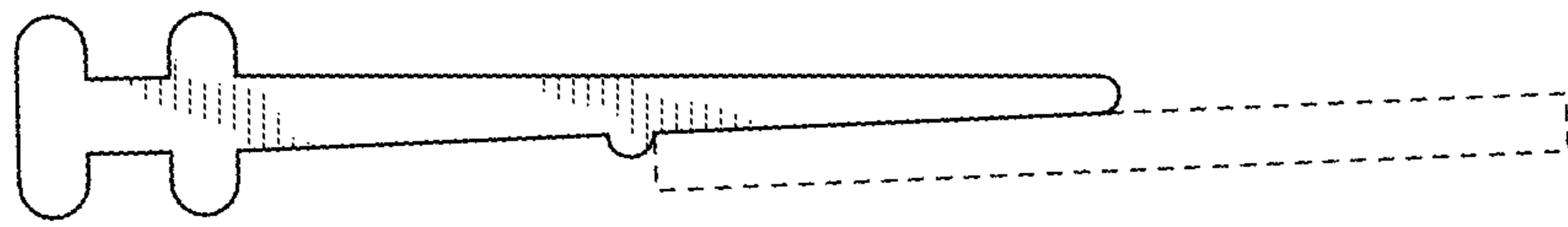


FIG. 4

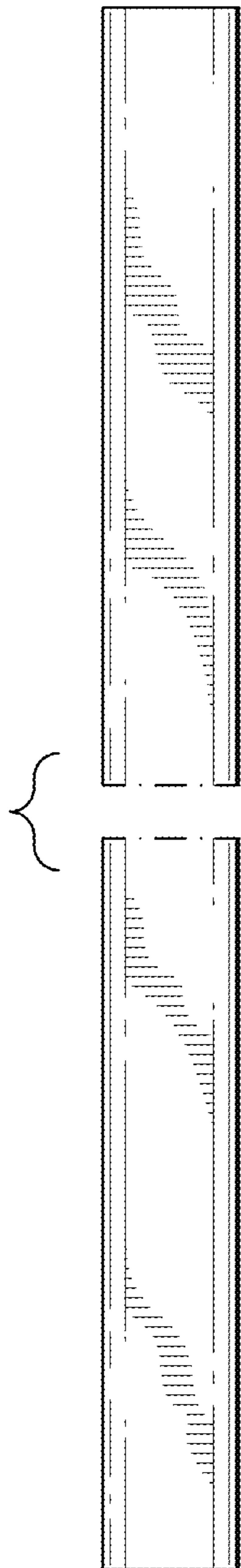


FIG. 6

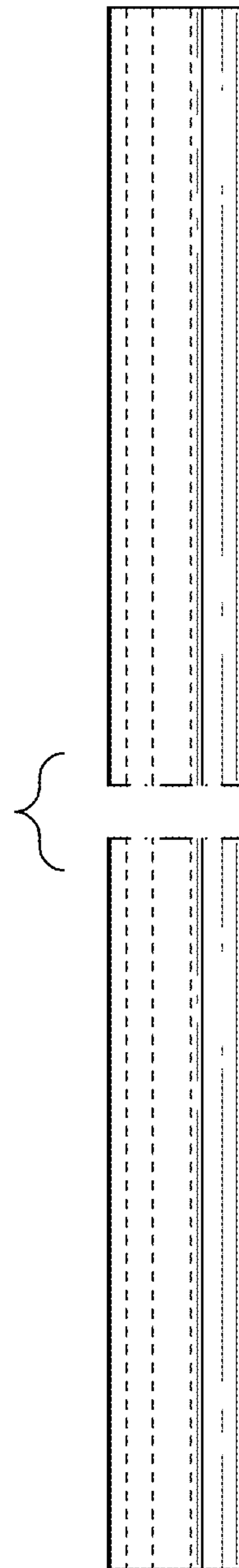


FIG. 7