



US00D883514S

(12) **United States Design Patent**
Matsuguma et al.

(10) **Patent No.:** **US D883,514 S**
(45) **Date of Patent:** **** May 5, 2020**

- (54) **STRESS TEST CHAMBER**
- (71) Applicant: **Espec Corp.**, Osaka-shi, Osaka (JP)
- (72) Inventors: **Osamu Matsuguma**, Osaka (JP);
Yasushi Watanabe, Osaka (JP)
- (73) Assignee: **ESPEC CORP.**, Osaka-Shi, Osaka (JP)
- (**) Term: **15 Years**
- (21) Appl. No.: **29/639,350**
- (22) Filed: **Mar. 6, 2018**
- (30) **Foreign Application Priority Data**

D681,845 S *	5/2013	Matsuguma	D24/232
D734,181 S *	7/2015	Matsuguma	D10/52
2014/0150574 A1 *	6/2014	Matsuguma	G01N 17/002 73/865.6
2015/0090053 A1 *	4/2015	Matsuguma	G01N 17/002 73/865.6

FOREIGN PATENT DOCUMENTS

JP	D1007442 S	4/1998
JP	D1007442-1 S	6/1999

* cited by examiner

Primary Examiner — Anhdao Doan

(74) *Attorney, Agent, or Firm* — Birch, Stewart, Kolasch & Birch, LLP

- Sep. 7, 2017 (JP) 2017-019391
- (51) **LOC (12) Cl.** **24-01**
- (52) **U.S. Cl.**
USPC **D24/232; D10/83**
- (58) **Field of Classification Search**
USPC D24/107, 163, 186, 216, 217, 224, 231,
D24/232, 164; D10/52, 53, 83-85
CPC A61G 11/00; A61G 11/002; A61G 11/005;
A61G 11/009; A01N 1/0273; A01N
1/0247; A01N 1/0268; A01N 1/02; A61M
16/0009; A61M 16/0063; G01N 17/0002
See application file for complete search history.

(57) **CLAIM**

The ornamental design for a stress test chamber, as shown and described.

DESCRIPTION

FIG. 1 is a partially enlarged perspective view of a stress test chamber;
 FIG. 2 is a front view thereof;
 FIG. 3 is a left side view thereof;
 FIG. 4 is a right side view thereof;
 FIG. 5 is a top view thereof;
 FIG. 6 is a partially enlarged front view thereof;
 FIG. 7 is a partially enlarged left side view thereof;
 FIG. 8 is a partially enlarged right side view thereof;
 FIG. 9 is a partially enlarged top view thereof; and,
 FIG. 10 is enlarged cross-sectional view taken along line 10-10 in FIG. 2 thereof.

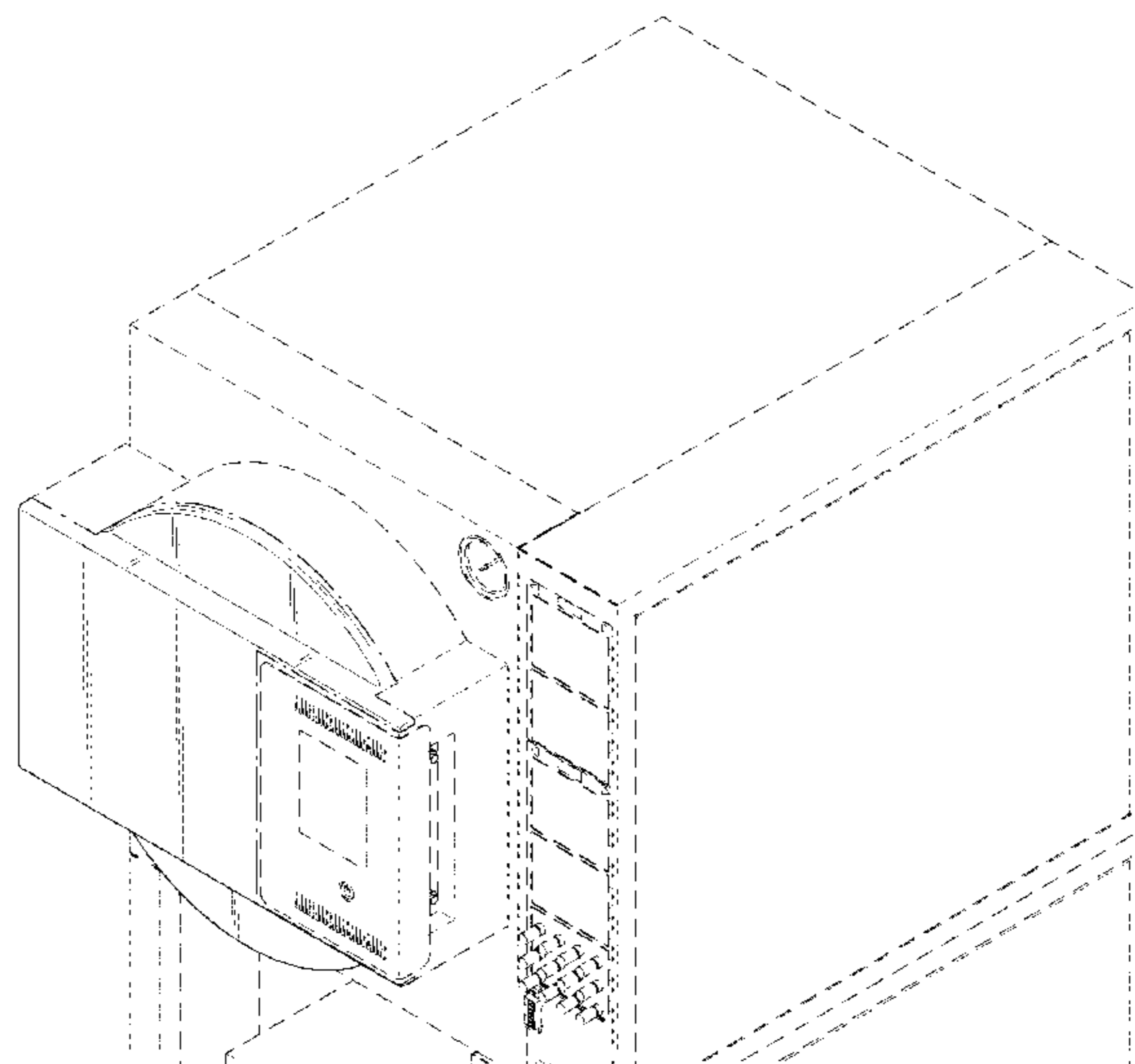
The broken lines depict portions of the stress test chamber in which the design is embodied that are not considered part of the claimed design.
 The dash-dot-dash lines represent the boundary of the claim and form no part of the claimed design.

(56) **References Cited**

U.S. PATENT DOCUMENTS

D202,486 S *	10/1965	Salvia	D24/217
D234,640 S *	3/1975	Zagara	D24/217
D247,308 S *	2/1978	Truette	D24/217
D264,123 S *	4/1982	Brendgord	D24/217
4,592,896 A *	6/1986	Runnells	A61L 2/07 236/92 C
D297,361 S *	8/1988	Yamamoto	D24/232
D297,564 S *	9/1988	Yamamoto	D24/232
D328,352 S *	7/1992	Futatsuka	D18/53
6,360,621 B1 *	3/2002	Eldred	G01M 99/002 73/865.6

1 Claim, 10 Drawing Sheets



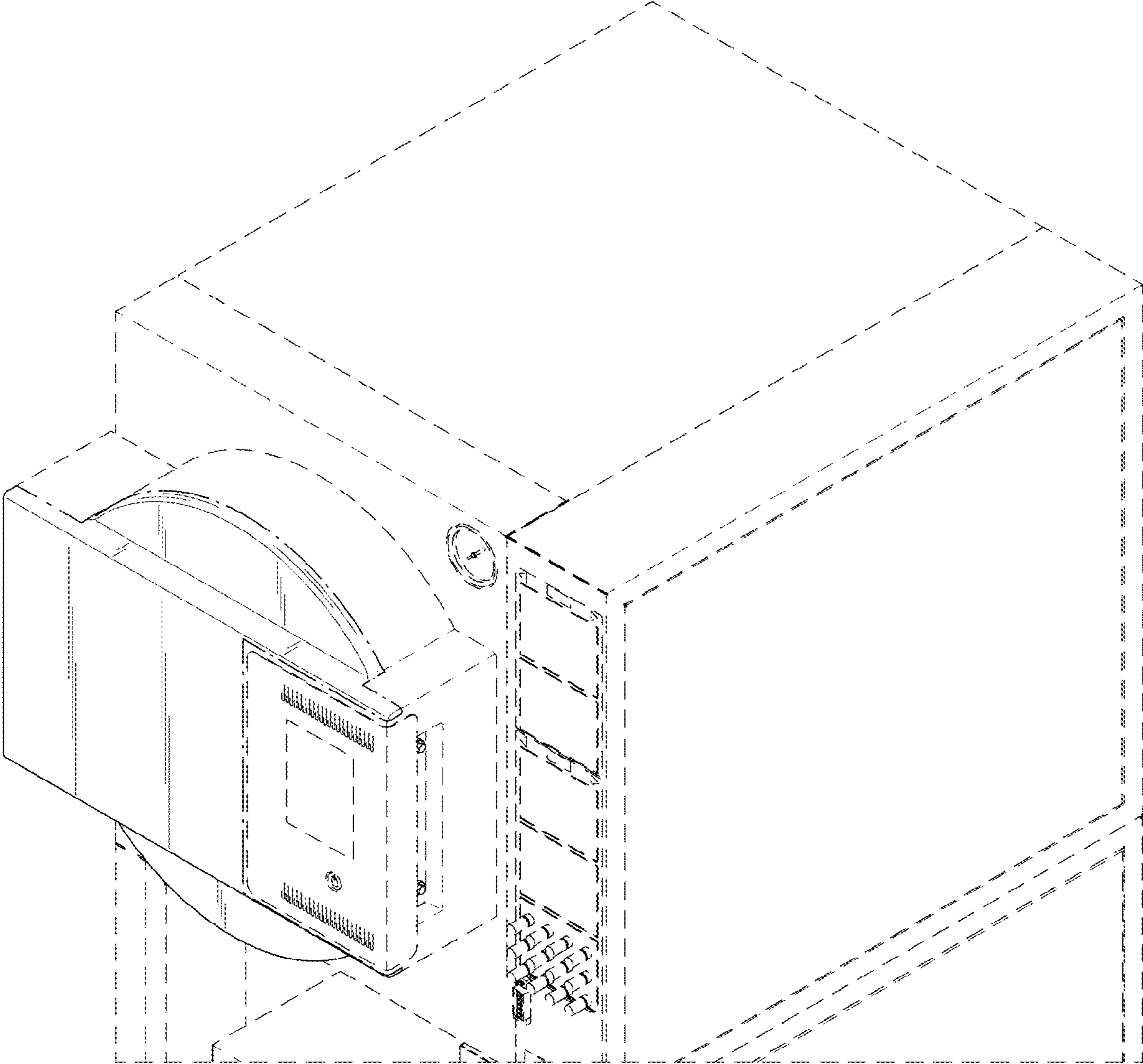


FIG.1

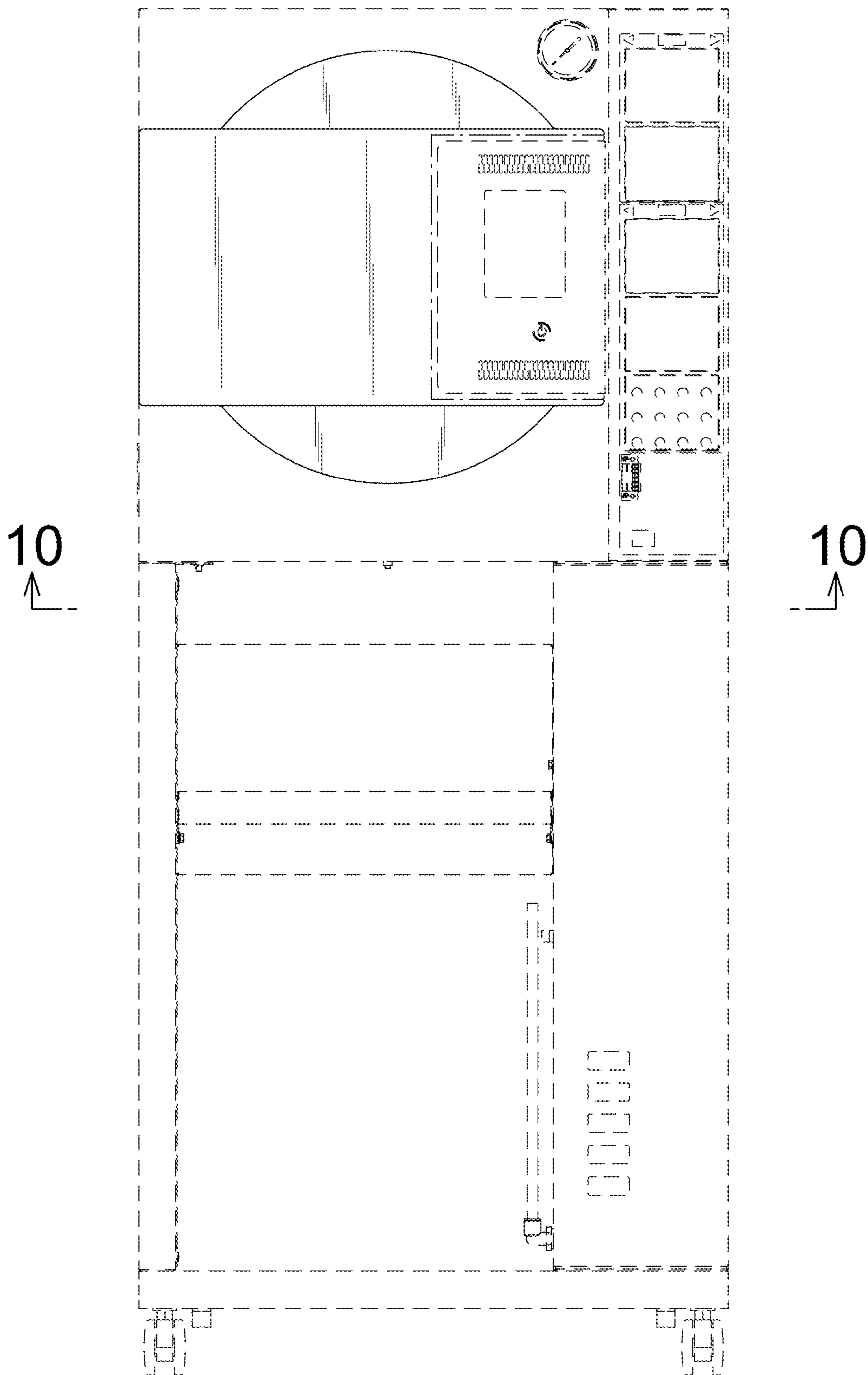


FIG.2

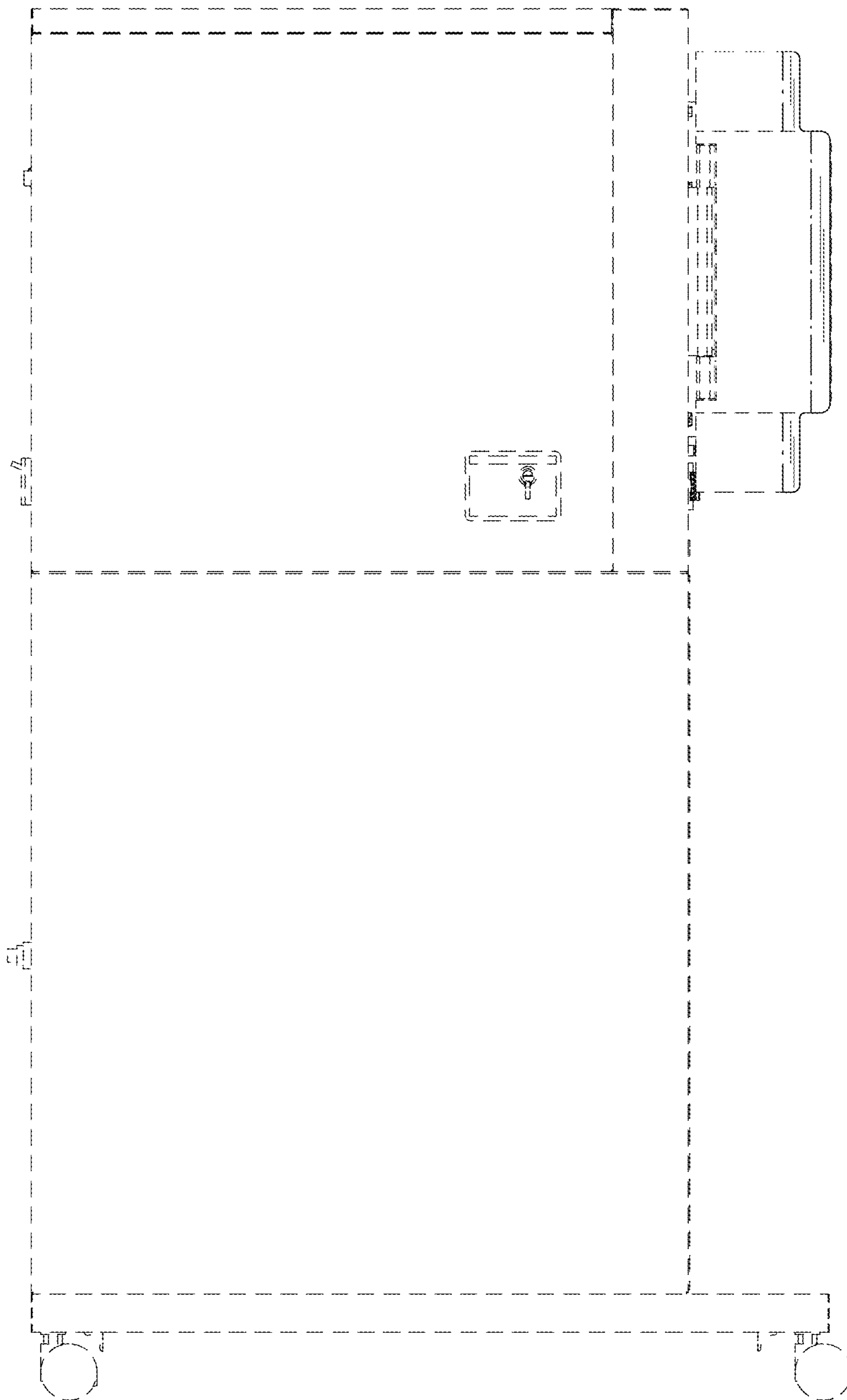


FIG.3

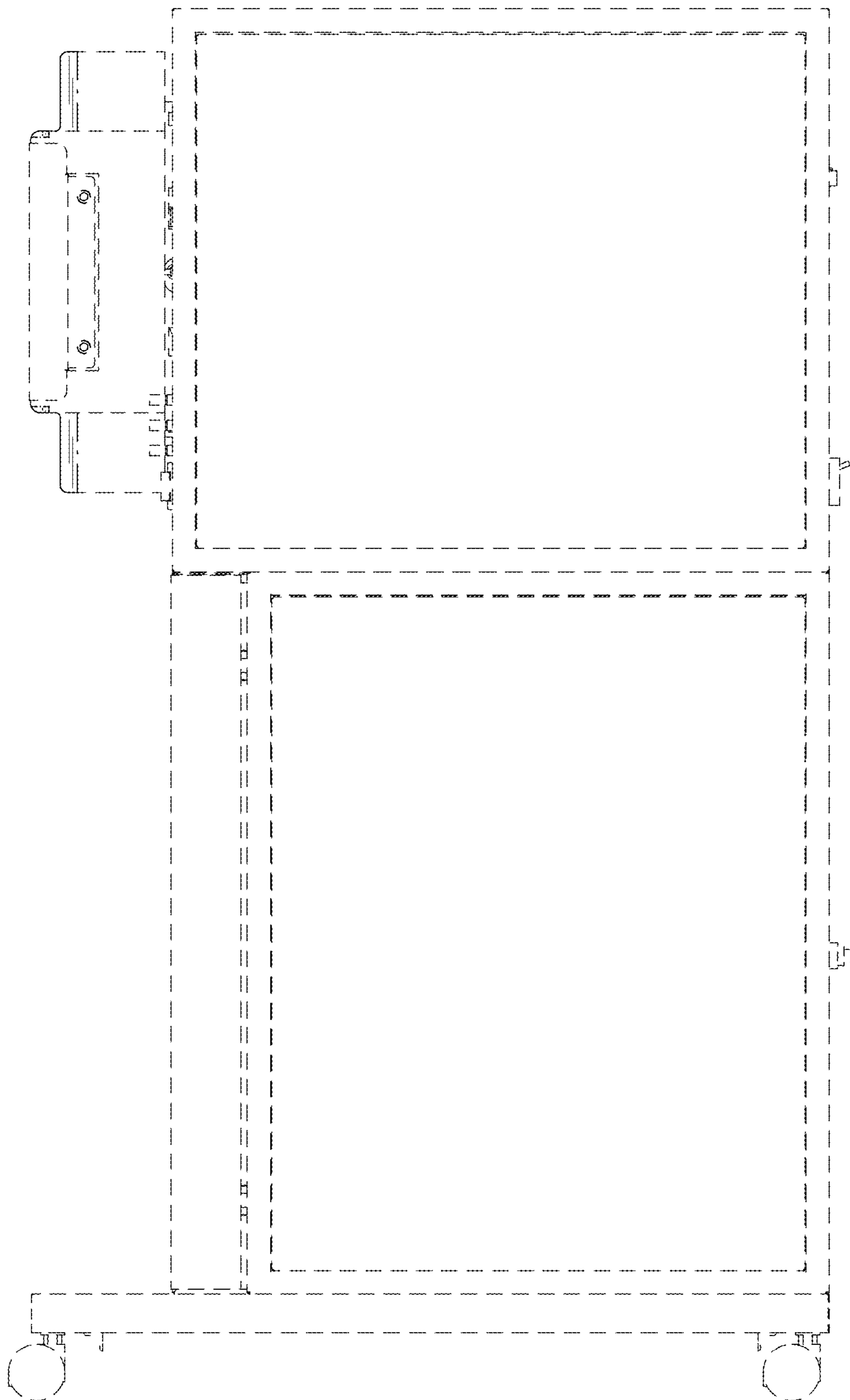


FIG.4

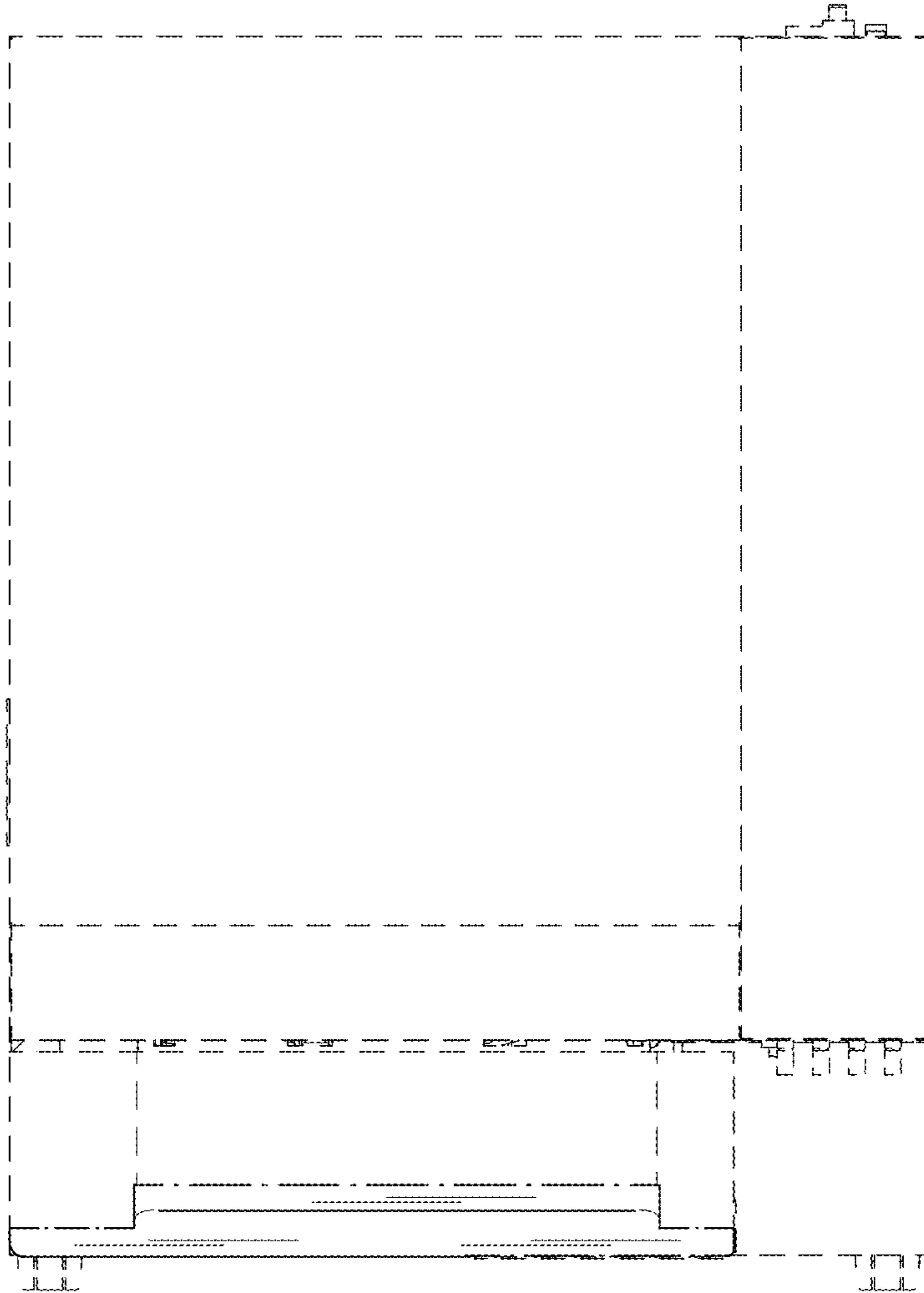


FIG.5

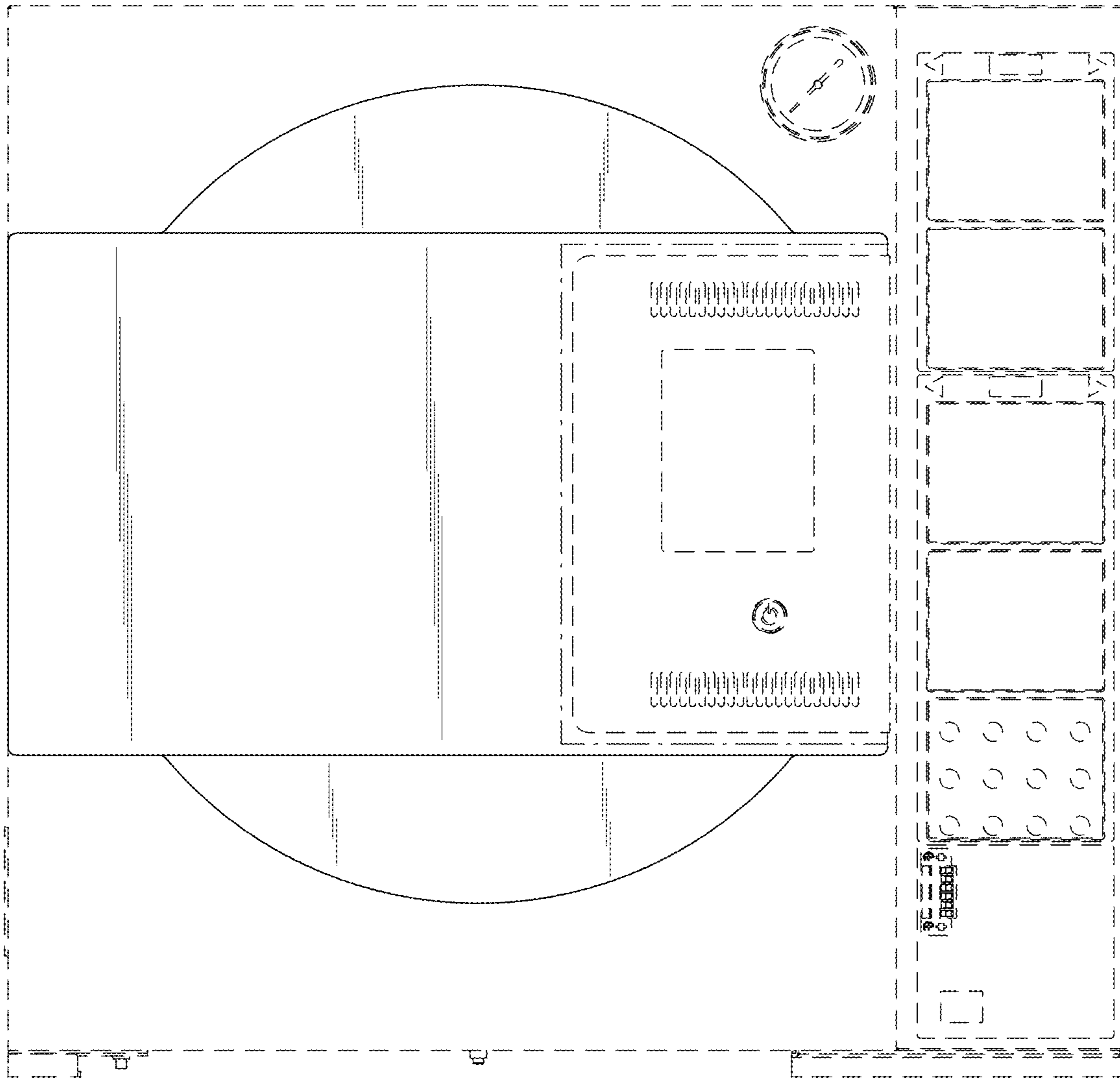


FIG.6

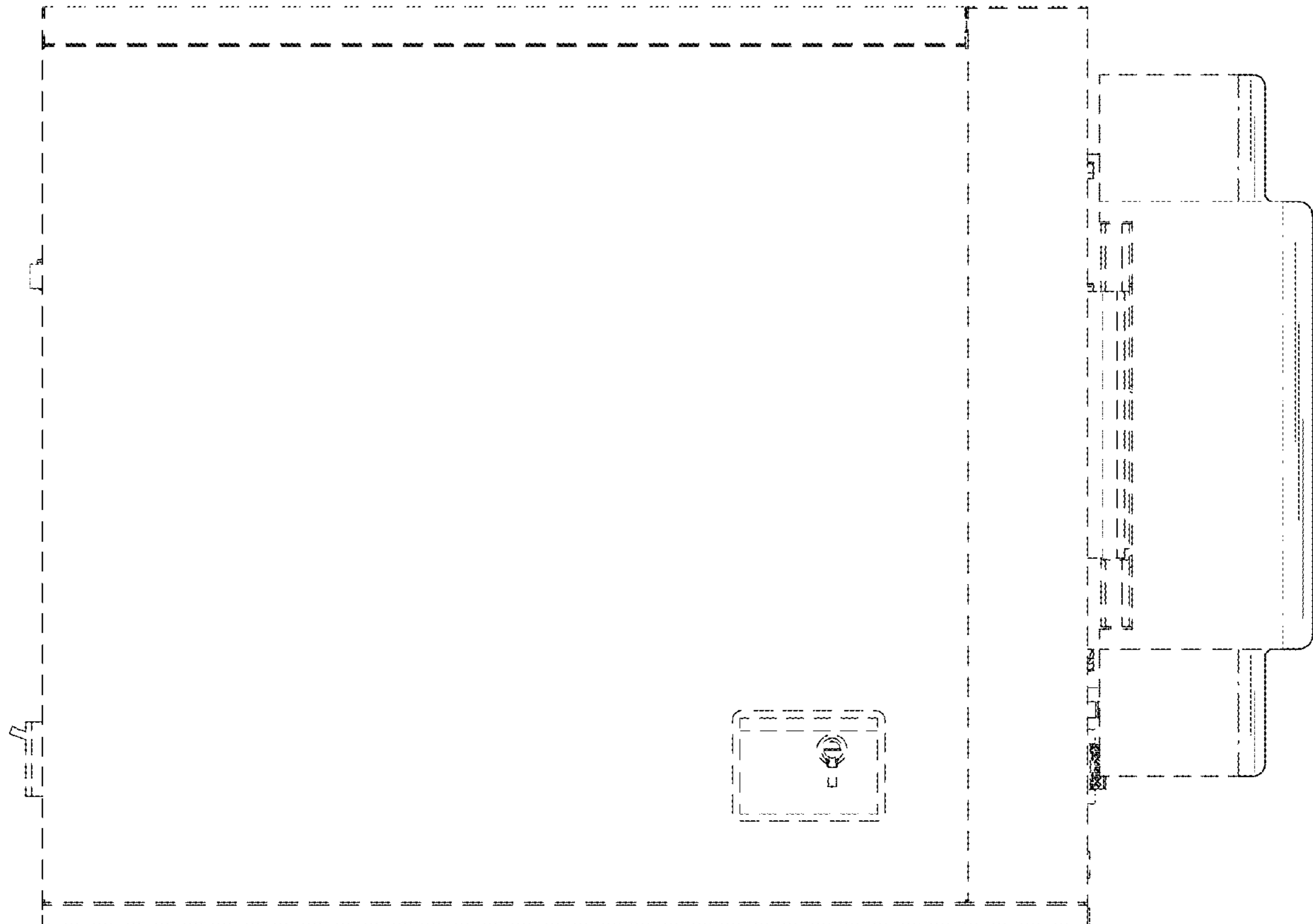


FIG.7

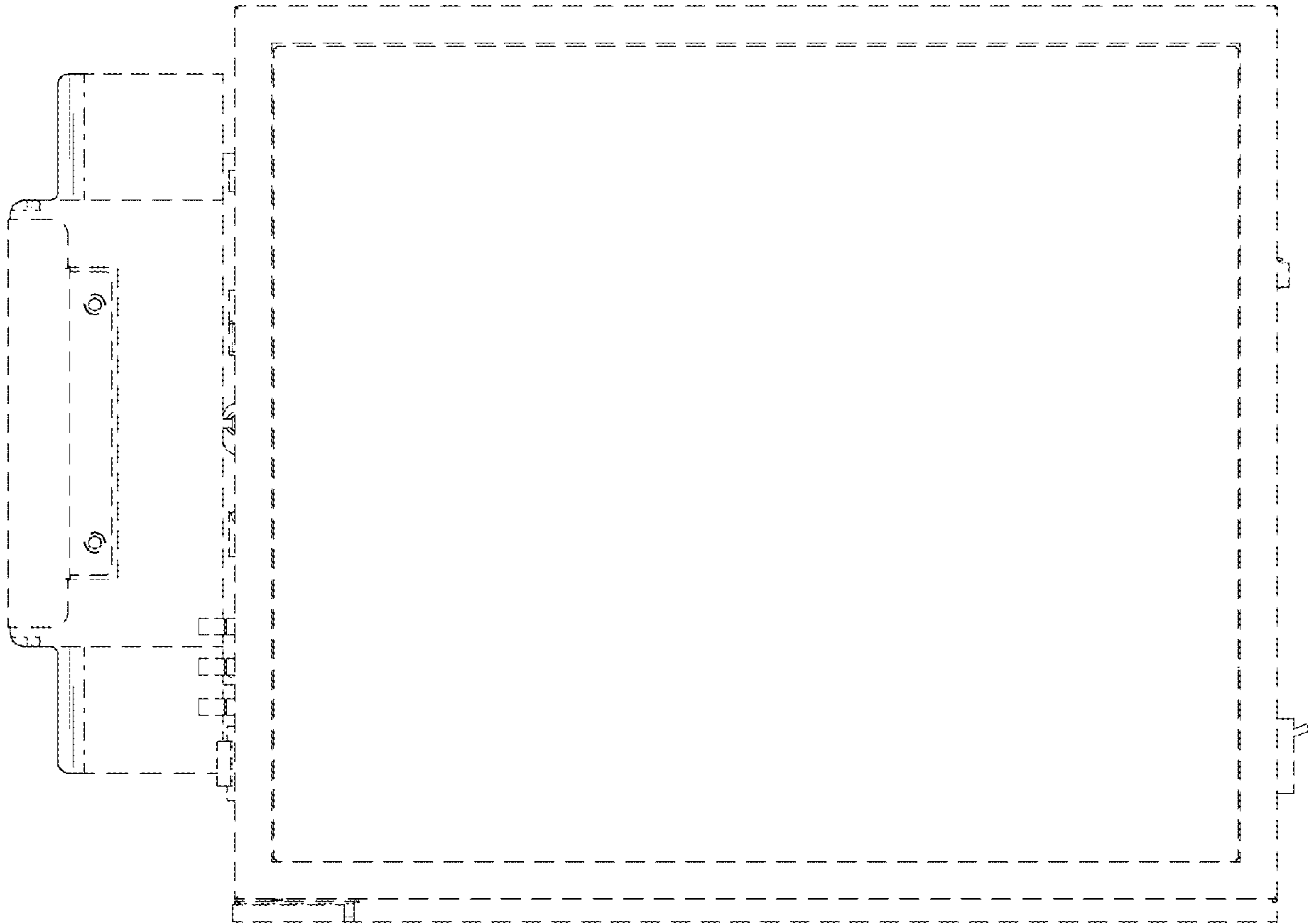


FIG.8

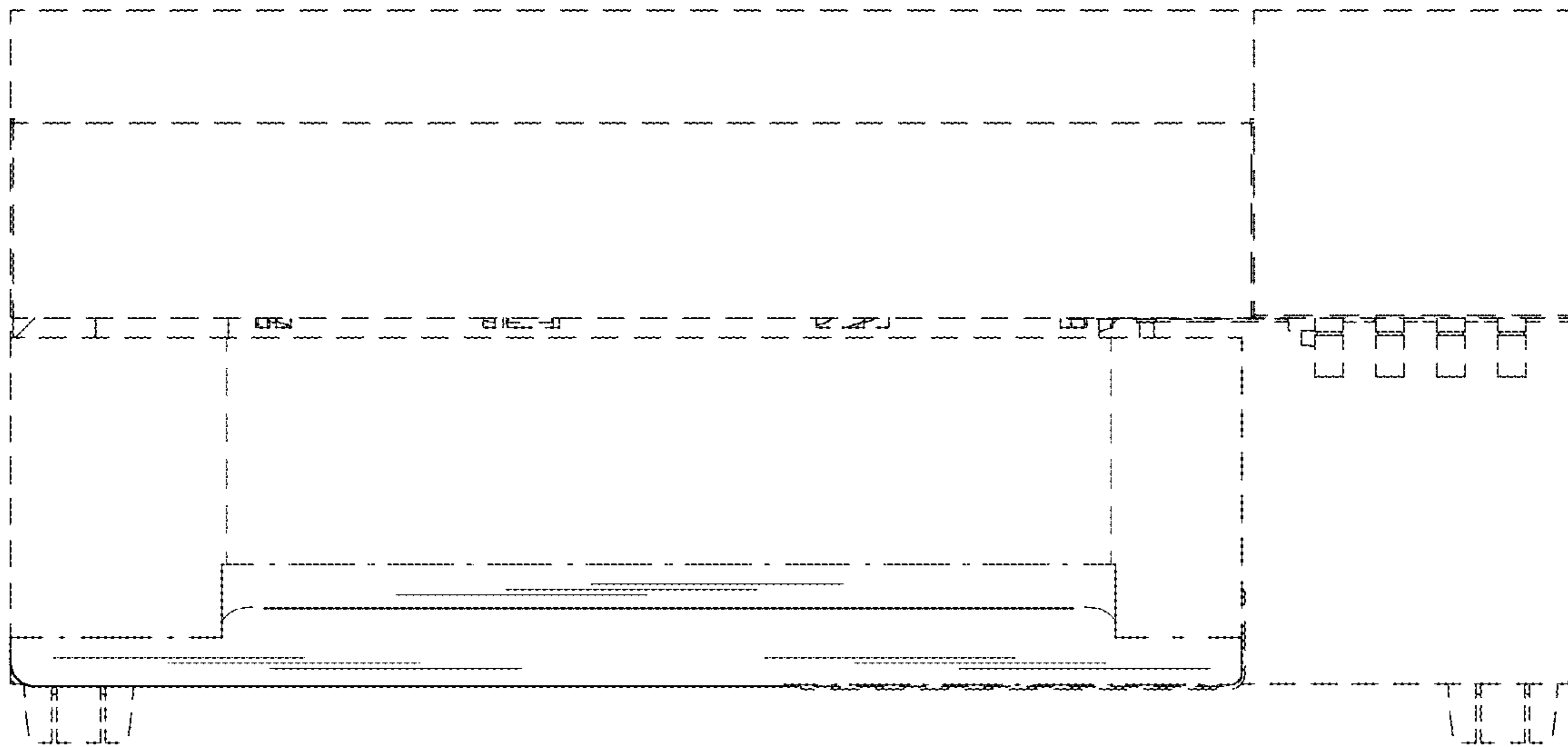


FIG.9

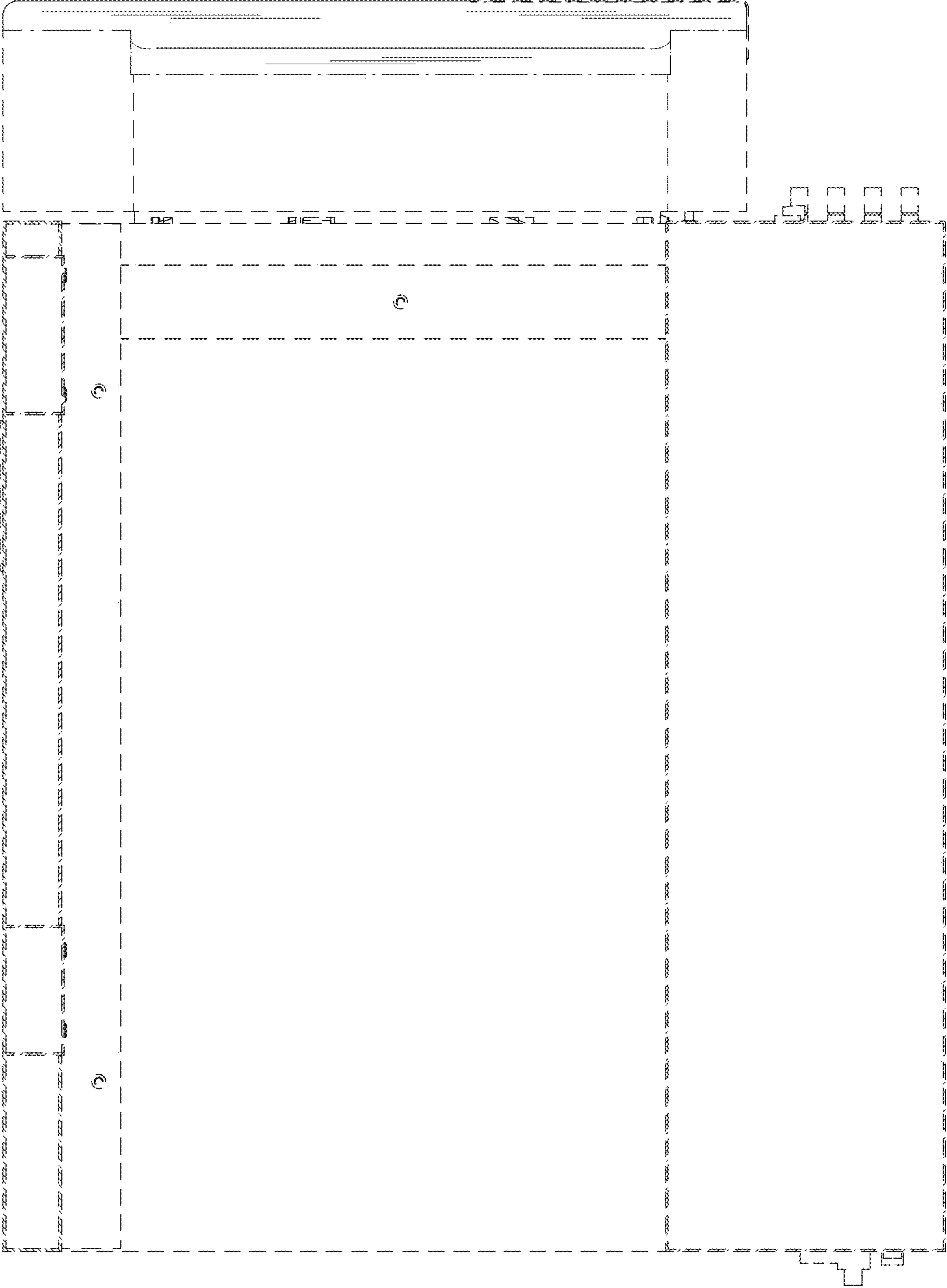


FIG.10