



US00D883513S

(12) **United States Design Patent** (10) **Patent No.:** **US D883,513 S**
Jenoski et al. (45) **Date of Patent:** **** May 5, 2020**

(54) **SLIDE RACK CARRIER**

FOREIGN PATENT DOCUMENTS

(71) Applicant: **HOLOGIC, INC.**, Marlborough, MA (US)

CN 304353576 S 11/2017

(72) Inventors: **Raymond Jenoski**, Boylston, MA (US);
Ryan P. Oliva, Mendon, MA (US)

OTHER PUBLICATIONS

(73) Assignee: **Hologic, Inc.**, Marlborough, MA (US)

Compatible scanner and staining slide racks (b) allow slides to be easily loaded for scanning with minimal laborious human intervention. Online, published date unknown. Retrieved on Mar. 10, 2020 from URL: http://www.jpathinformatics.org/viewimage.asp?img=JPatholInform_2017_8_1_51_221132_f3.jpg.*

(**) Term: **15 Years**

Office action dated Sep. 3, 2019 for Brazil Application No. 30 2019 01793-8, Applicant Hologic, Inc., 1 page.

(21) Appl. No.: **29/668,851**

(Continued)

(22) Filed: **Nov. 2, 2018**

(51) **LOC (12) Cl.** **24-02**

(52) **U.S. Cl.**
USPC **D24/227**

(58) **Field of Classification Search**
USPC D24/107, 216, 217, 219, 223-225, 227,
D24/229, 230, 232; D10/81
CPC B01L 9/06; G01N 1/36
See application file for complete search history.

Primary Examiner — Susan Bennett Hattan

Assistant Examiner — Omeed Agilee

(74) *Attorney, Agent, or Firm* — Vista IP Law Group, LLP

(56) **References Cited**

U.S. PATENT DOCUMENTS

D448,087 S *	9/2001	Regan	D24/225
D641,471 S	7/2011	Zimmer et al.		
8,303,902 B2 *	11/2012	Kim	B01L 7/00 206/456
D799,057 S *	10/2017	Shanafelter	D24/227
D799,058 S *	10/2017	Kennedy	D24/227
D800,335 S *	10/2017	Chang	D24/224
D811,616 S *	2/2018	Shanafelter	D24/227
2008/0098830 A1 *	5/2008	Martinell Gispert-Sauch	B01L 9/06 73/864.91
2009/0253582 A1 *	10/2009	Pena	B01L 3/5085 506/7
2013/0272931 A1 *	10/2013	Chien	B01L 3/5085 422/547
2019/0086303 A1 *	3/2019	Guo	G01N 1/31

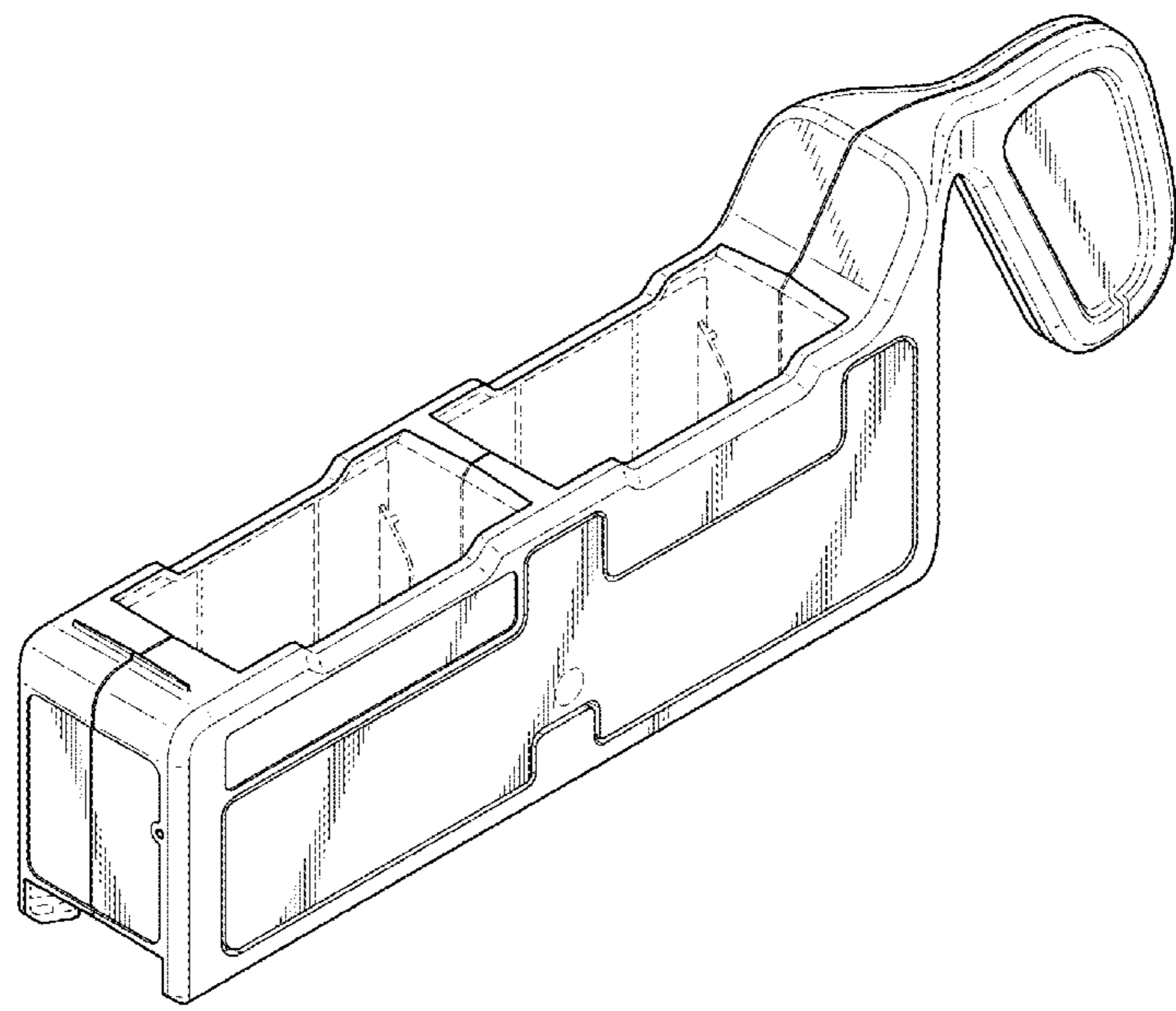
(57) **CLAIM**

The ornamental design for a slide rack carrier, as shown and described.

DESCRIPTION

FIG. 1 is a right side perspective view of a slide rack carrier, showing a new design;
FIG. 2 is a left side perspective view thereof;
FIG. 3 is a right side elevation view thereof;
FIG. 4 is a front elevation view thereof;
FIG. 5 is a left side elevation view thereof;
FIG. 6 is a rear elevation view thereof;
FIG. 7 is a top plan view thereof; and,
FIG. 8 is a bottom plan view thereof.
The broken lines are included for the purpose of illustrating environmental structure and form no part of the claimed design.

1 Claim, 4 Drawing Sheets



(56)

References Cited

OTHER PUBLICATIONS

Response to Office Action filed Nov. 1, 2019 for Brazil Application No. 30 2019 01793-8, Applicant Hologic, Inc., 14 pages.
Notice of Allowance and Search Report dated Oct. 7, 2019 for Taiwan application 10820955790, Applicant Hologic, Inc., 5 pages.
Notice of Allowance and Search Report dated Oct. 7, 2019 for Taiwan application 108302513, Applicant Hologic, Inc., 5 pages.

* cited by examiner

FIG. 1

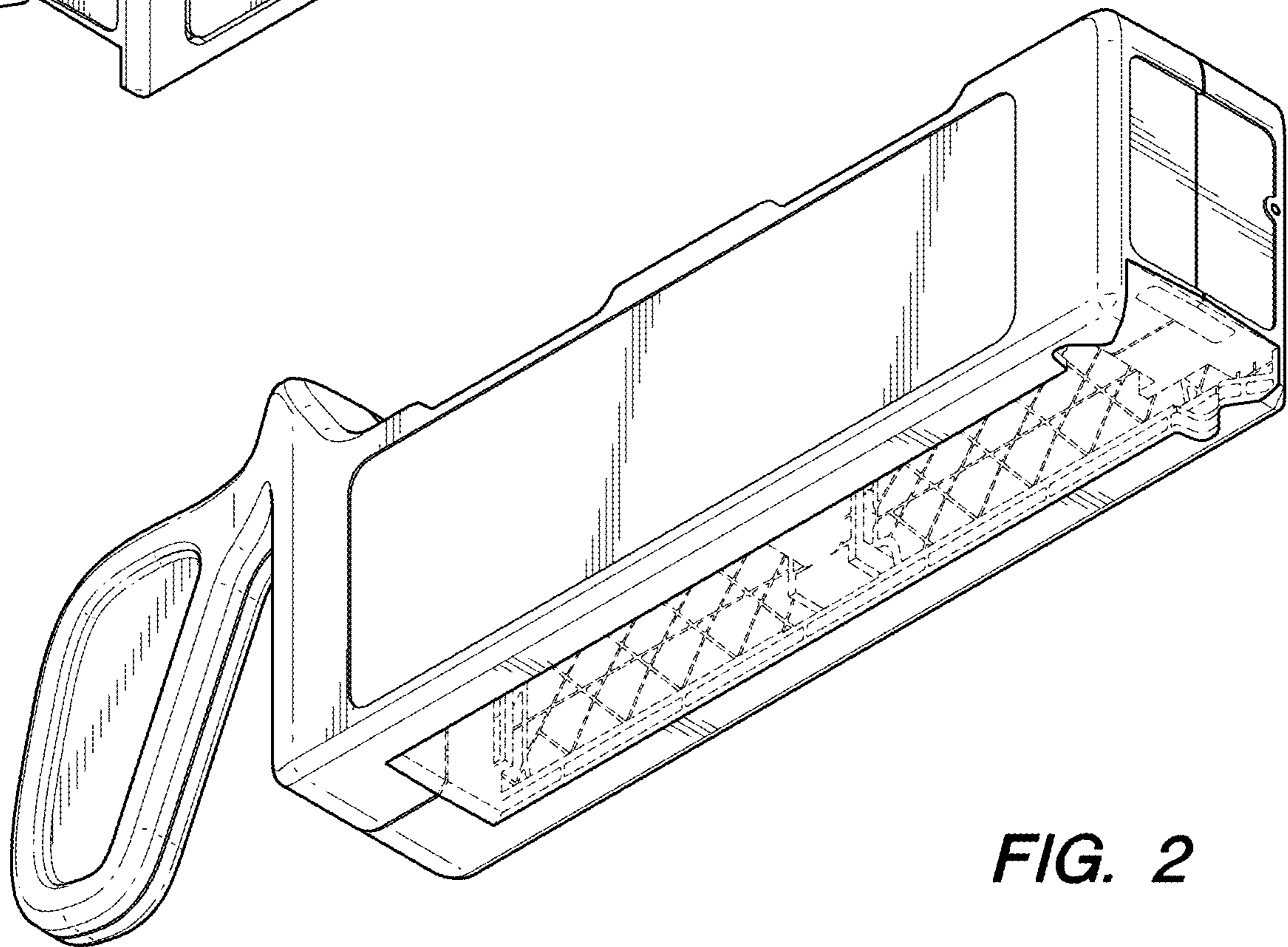
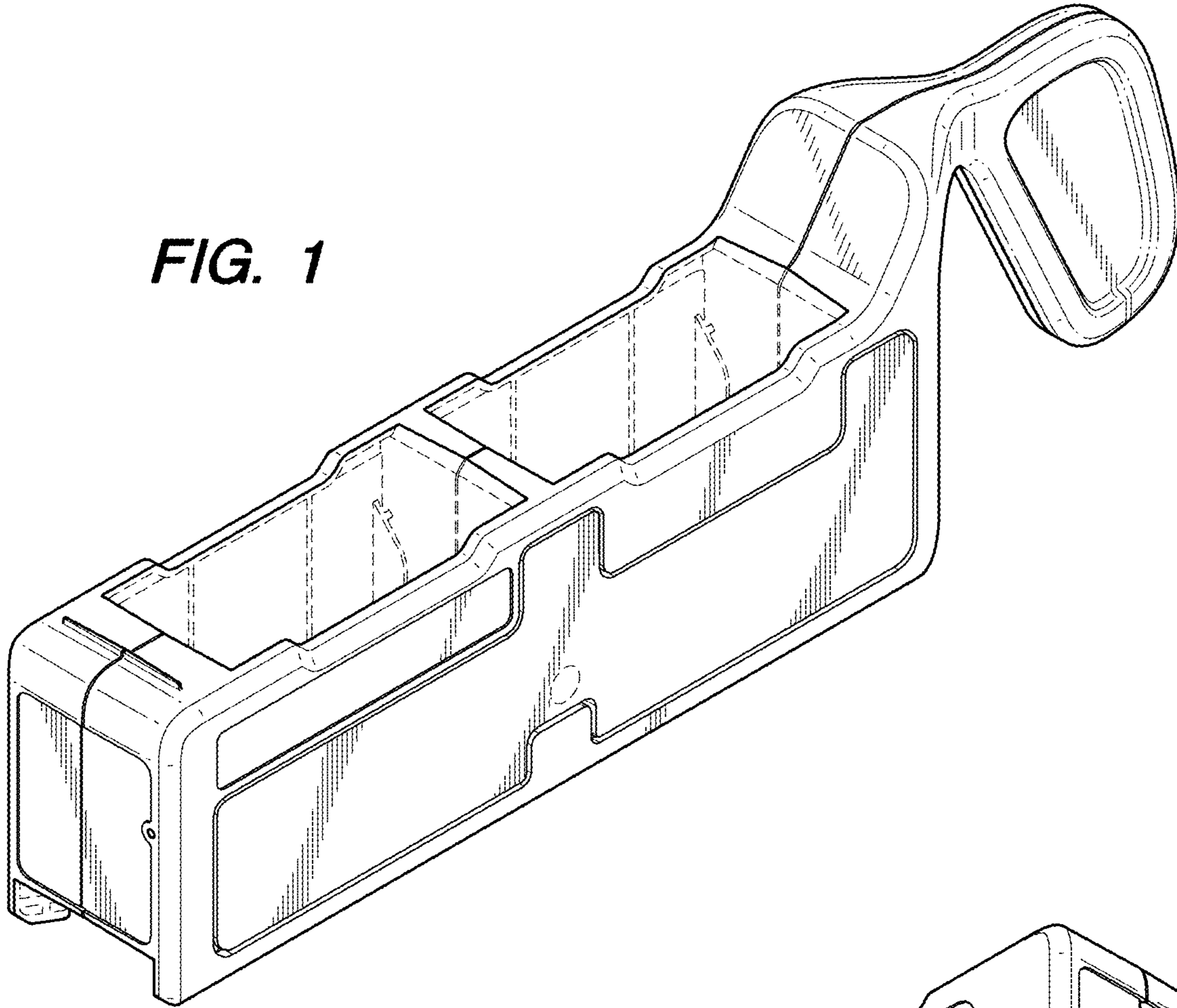


FIG. 2

FIG. 3

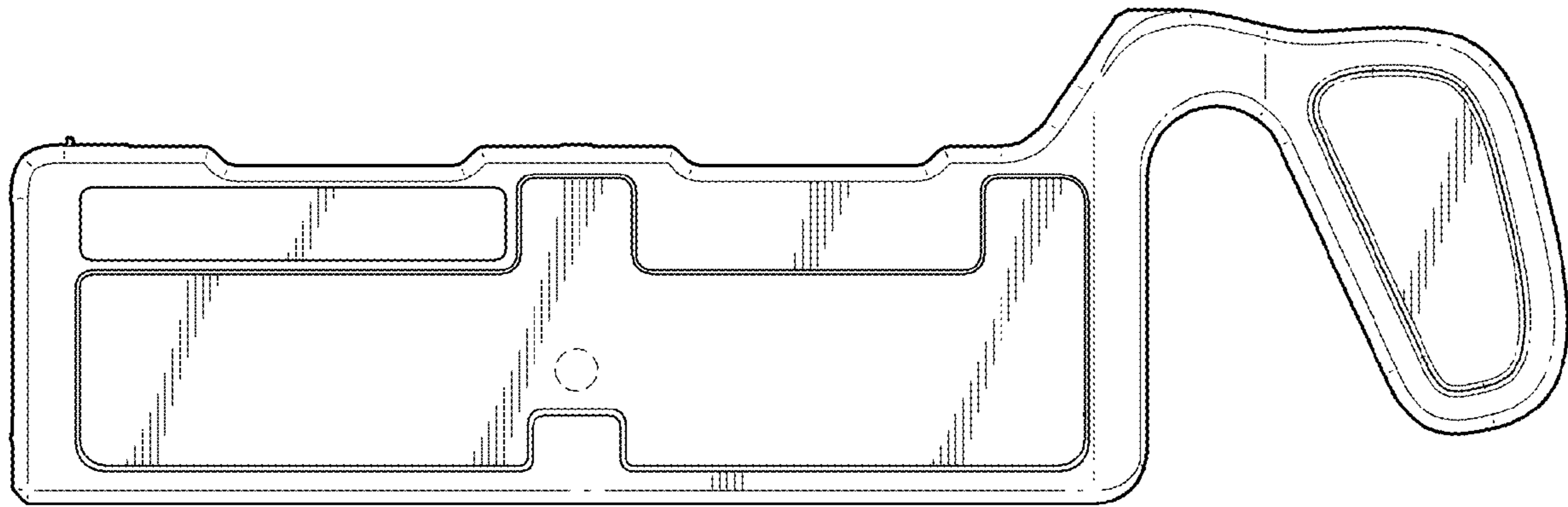


FIG. 4

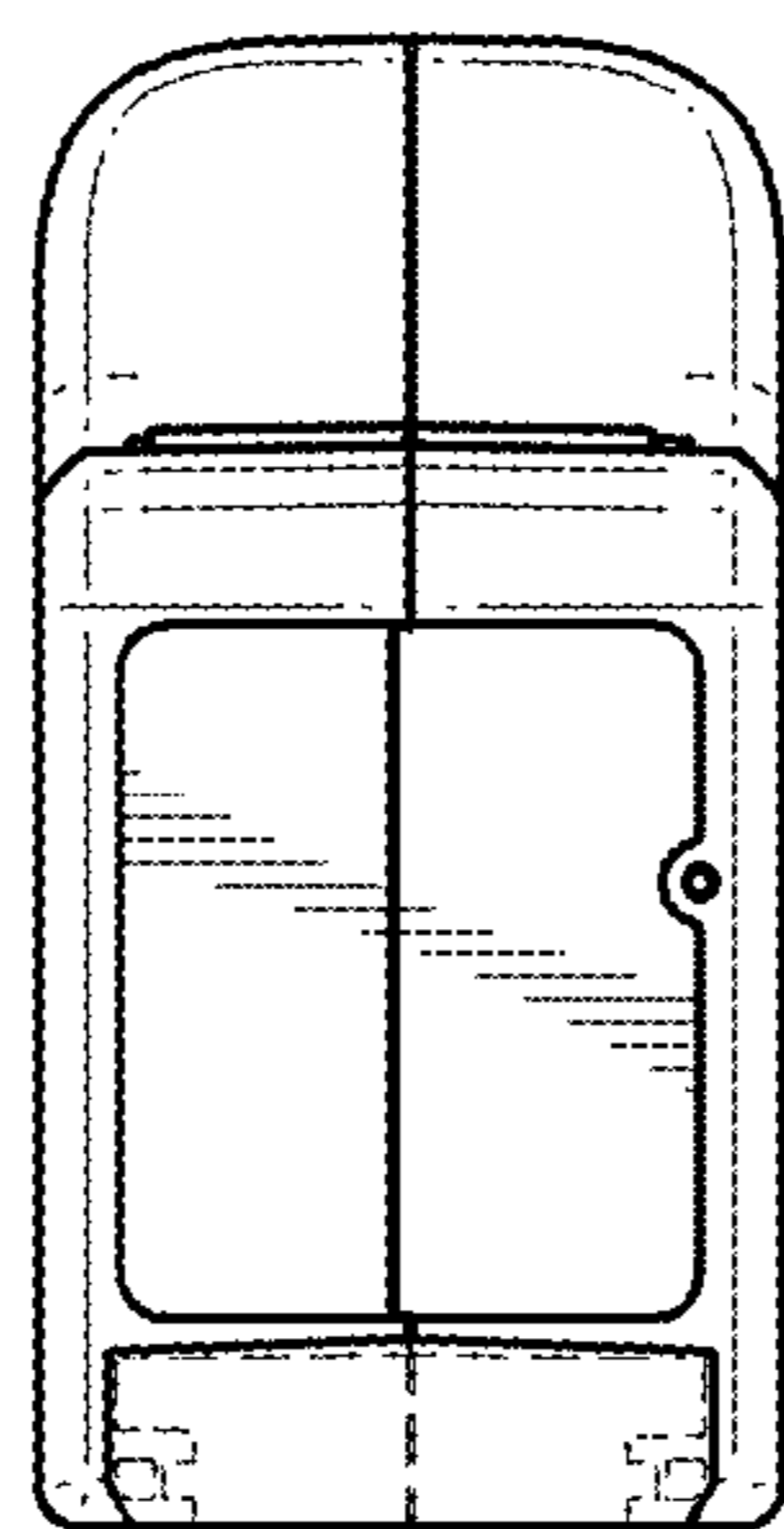


FIG. 5

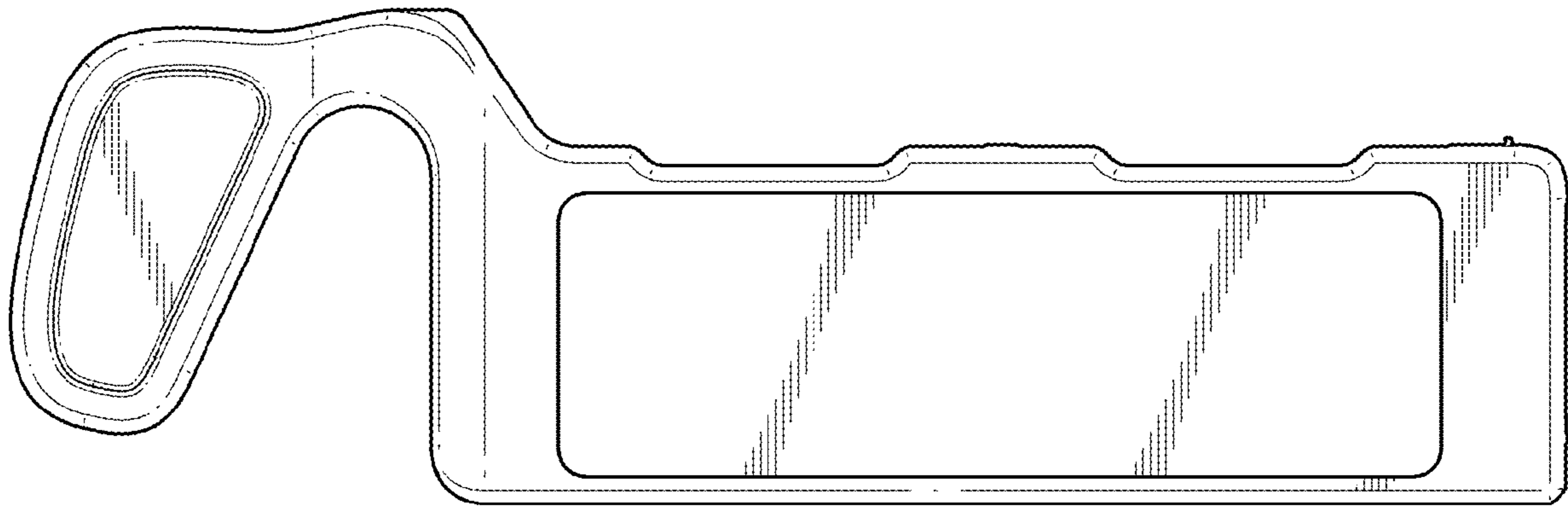


FIG. 6

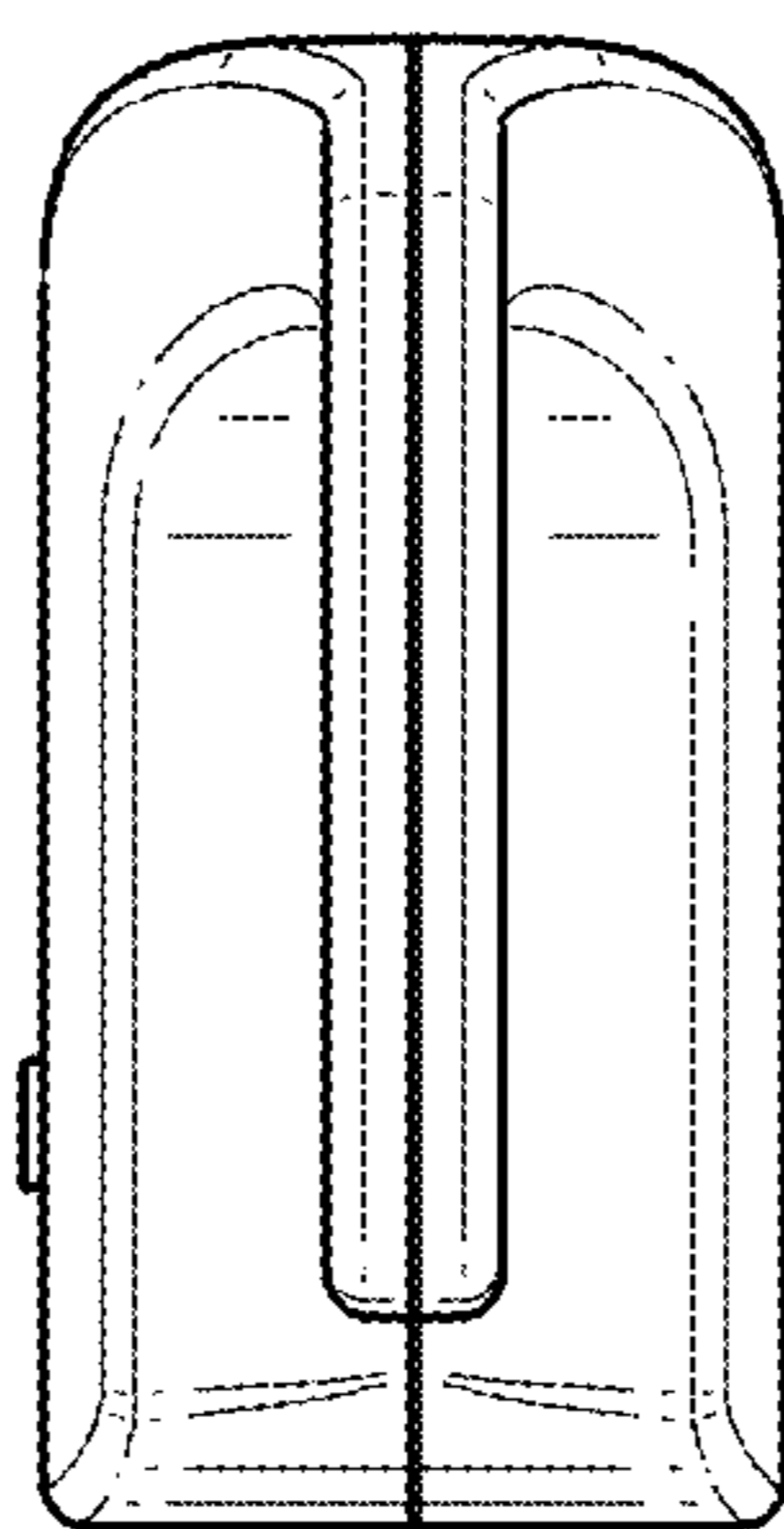


FIG. 7

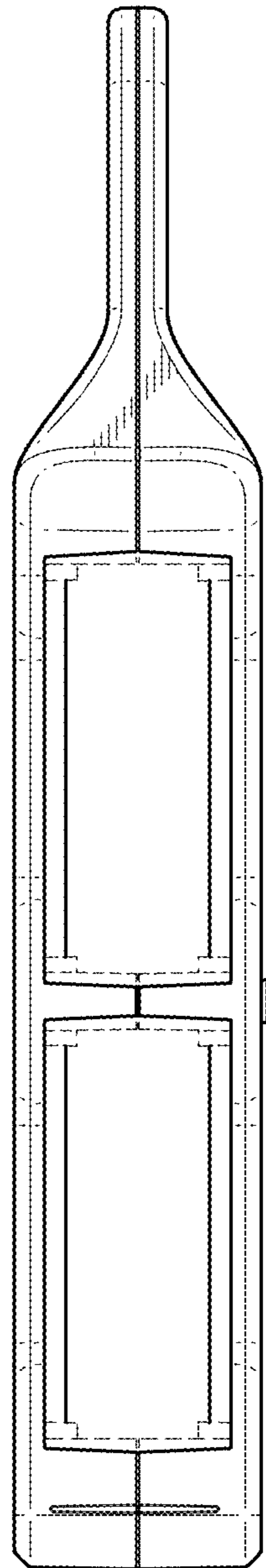


FIG. 8

