



US00D883512S

(12) **United States Design Patent** (10) **Patent No.:** **US D883,512 S**  
**Zhou** (45) **Date of Patent:** **\*\* May 5, 2020**

(54) **MORTAR**  
(71) Applicant: **Suzhou Ewayt Network Technology Co., Ltd.**, Suzhou (CN)  
(72) Inventor: **Min Zhou**, Suzhou (CN)  
(73) Assignee: **Suzhou Ewayt Network Technology Co., Ltd.**, Suzhou (CN)  
(\*\*) Term: **15 Years**  
(21) Appl. No.: **29/717,491**  
(22) Filed: **Dec. 17, 2019**  
(51) **LOC (12) Cl.** ..... **24-02**  
(52) **U.S. Cl.**  
USPC ..... **D24/220**  
(58) **Field of Classification Search**  
USPC ..... D24/220; D14/189; D7/682  
CPC ..... A61J 7/0007  
See application file for complete search history.

D425,065 S \* 5/2000 Frances ..... D14/189  
D490,160 S \* 5/2004 Sorensen ..... D24/220  
D502,267 S \* 2/2005 Leyshon ..... D24/220  
D543,634 S \* 5/2007 Lundstrom ..... D24/220  
D642,023 S \* 7/2011 Reay ..... D24/220  
D702,853 S \* 4/2014 Priebe ..... D24/220  
D776,294 S \* 1/2017 Sharpe ..... D24/220  
D800,518 S \* 10/2017 Shieh ..... D7/682  
D827,148 S \* 8/2018 Lam ..... D24/220

\* cited by examiner

*Primary Examiner* — Rhea Shields  
(74) *Attorney, Agent, or Firm* — Zihua Han; Wen IP LLC

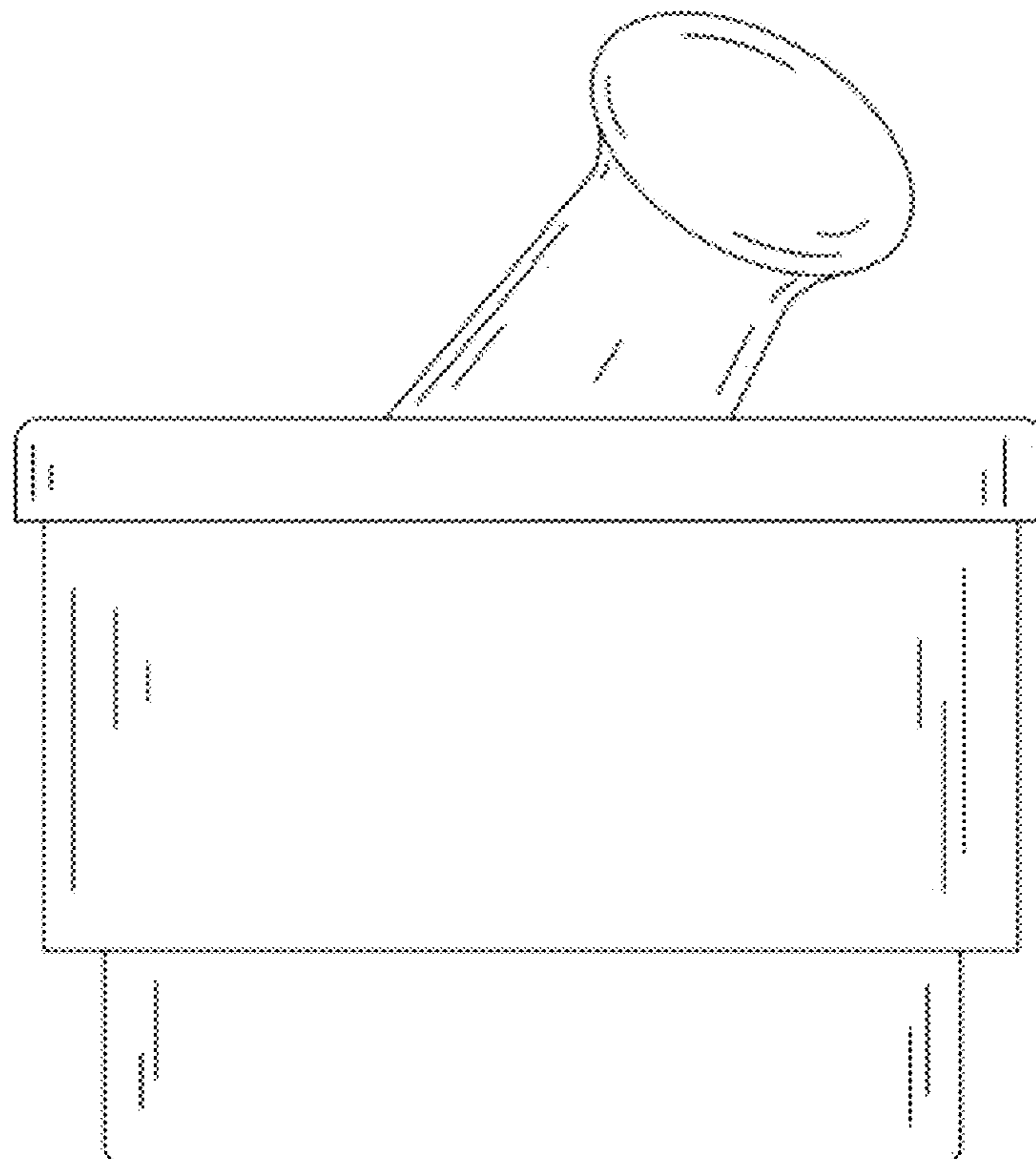
(57) **CLAIM**

I claim the ornamental design for a mortar, as shown and described.

**DESCRIPTION**

FIG. 1 is front elevational view of a mortar showing my new design;  
FIG. 2 is a rear elevational view thereof;  
FIG. 3 is a left side elevational view thereof;  
FIG. 4 is a right side elevational view thereof;  
FIG. 5 is a cross-sectional view of the mortar taken along the line 5-5 in FIG. 3;  
FIG. 6 is a top plan view of FIG. 1; and,  
FIG. 7 is a bottom plan view thereof.  
The shade lines in the Figures show contours and form no part of the claimed design.

**1 Claim, 7 Drawing Sheets**



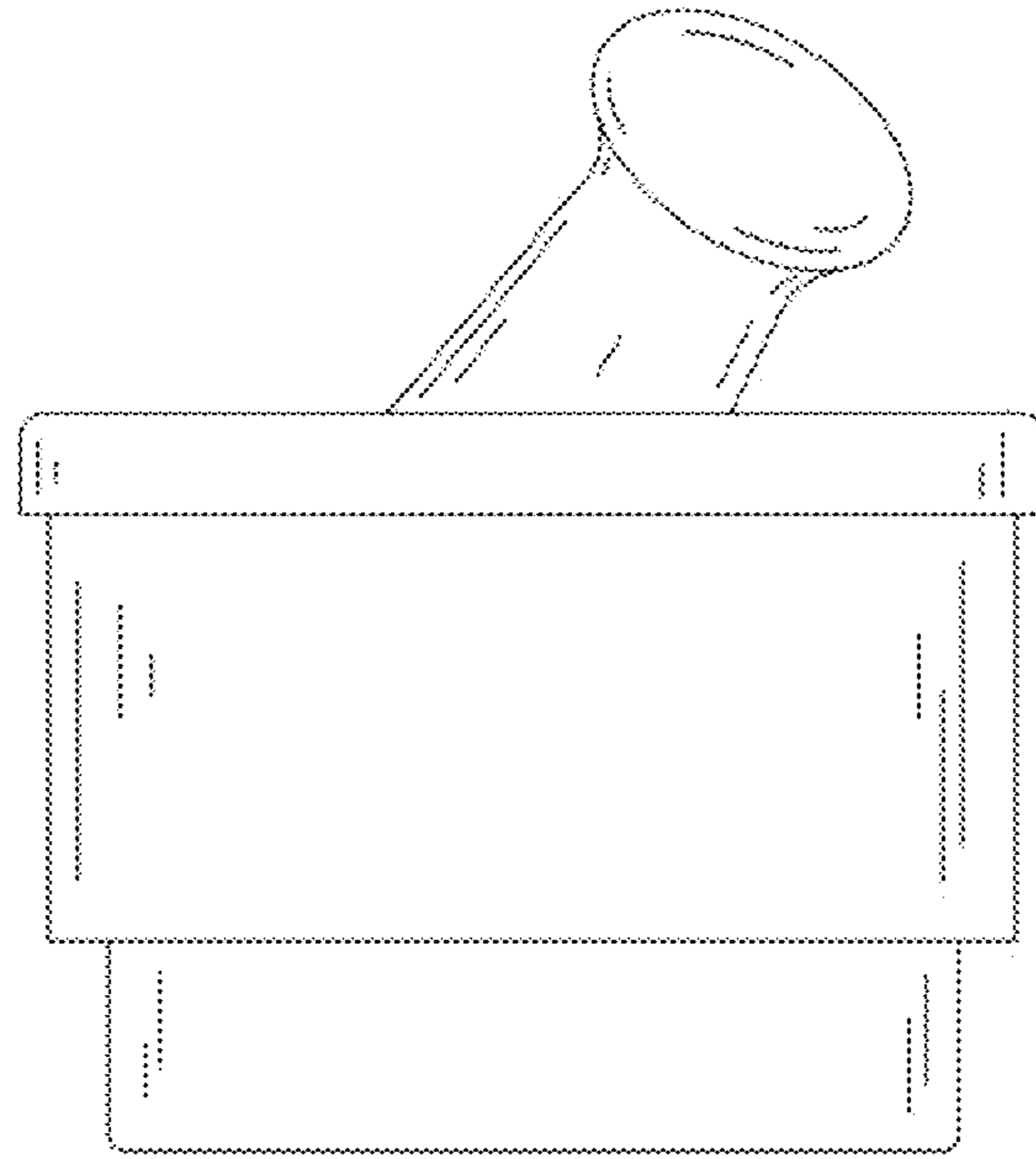


FIG. 1

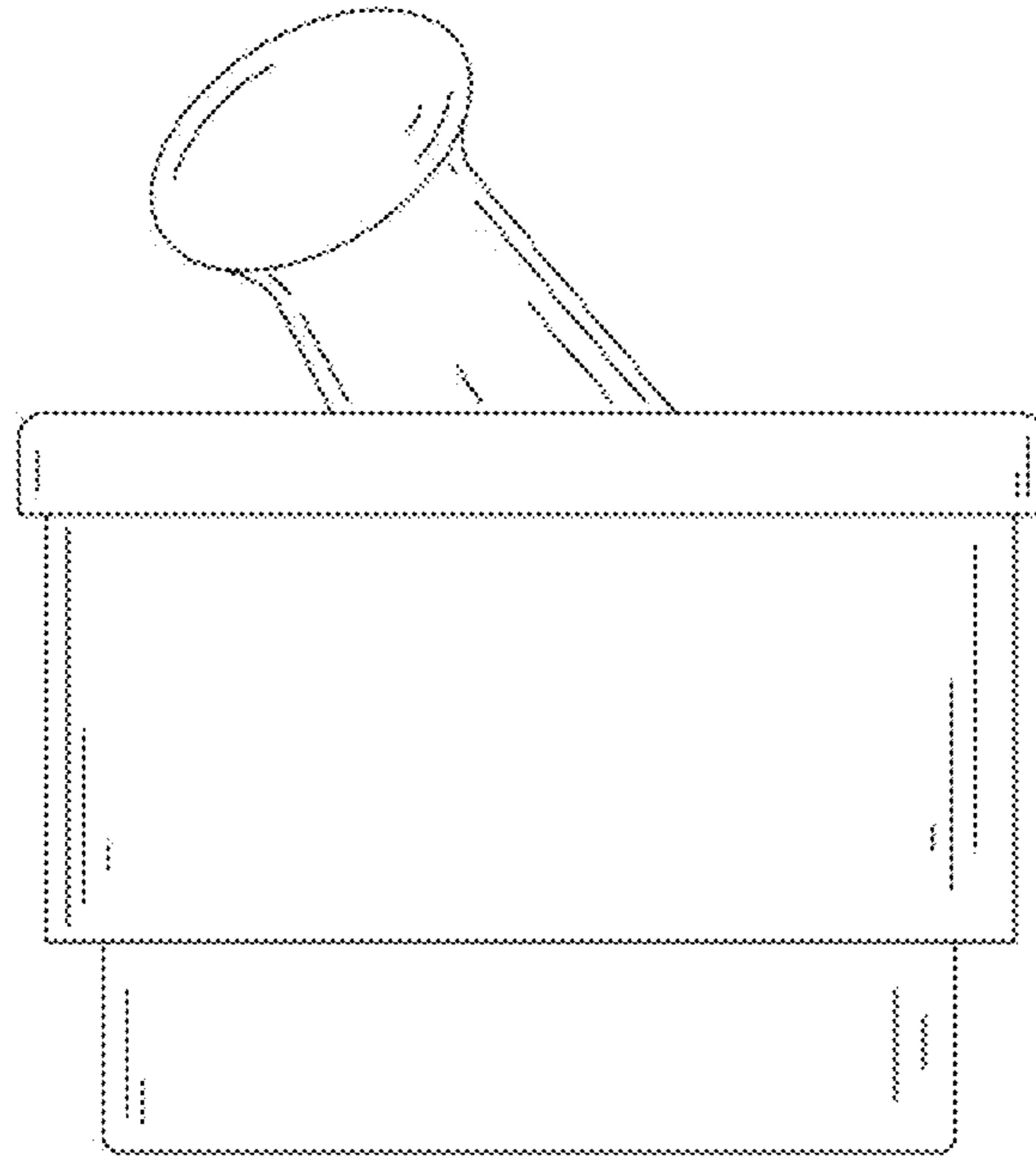


FIG. 2

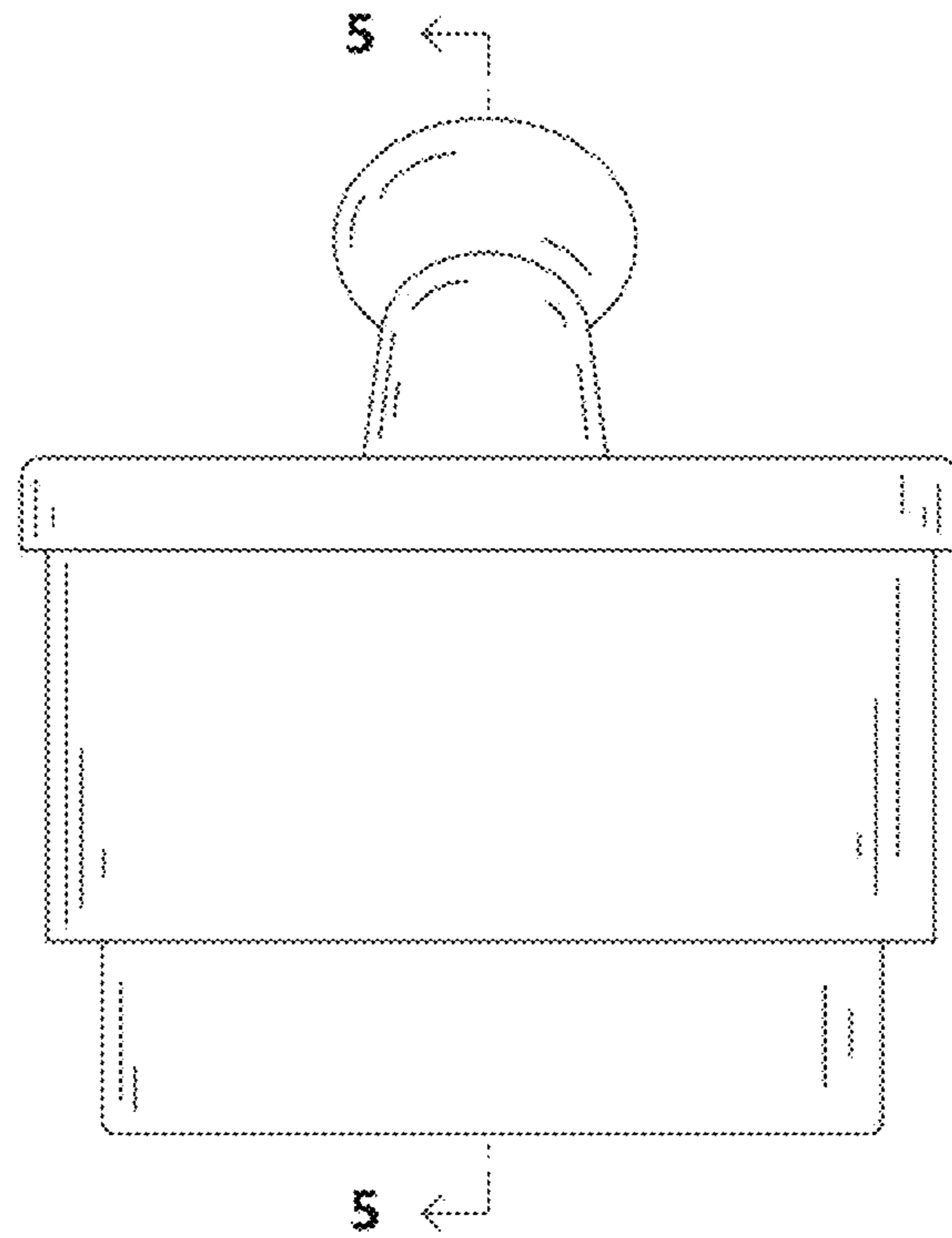


FIG. 3

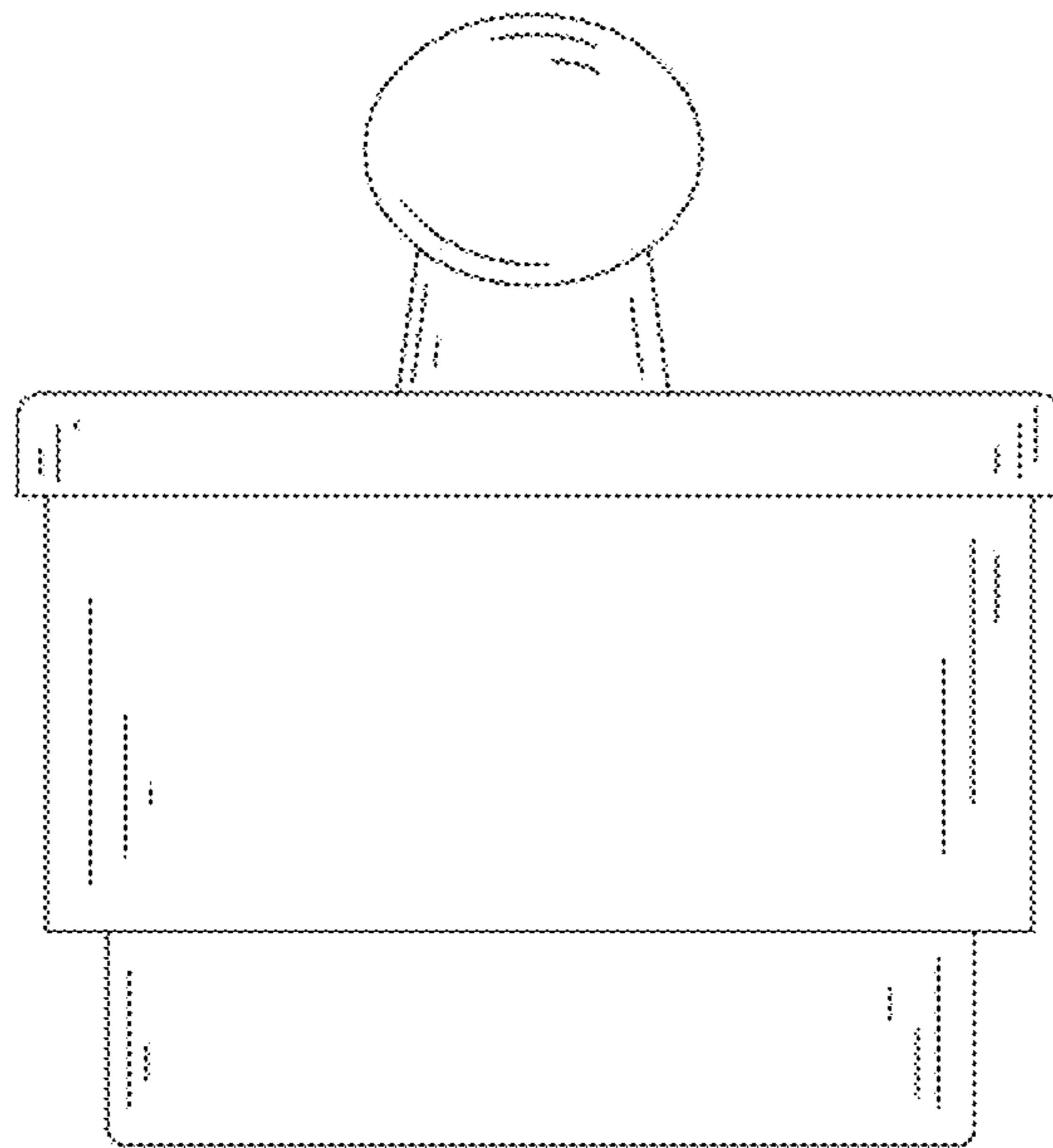


FIG. 4

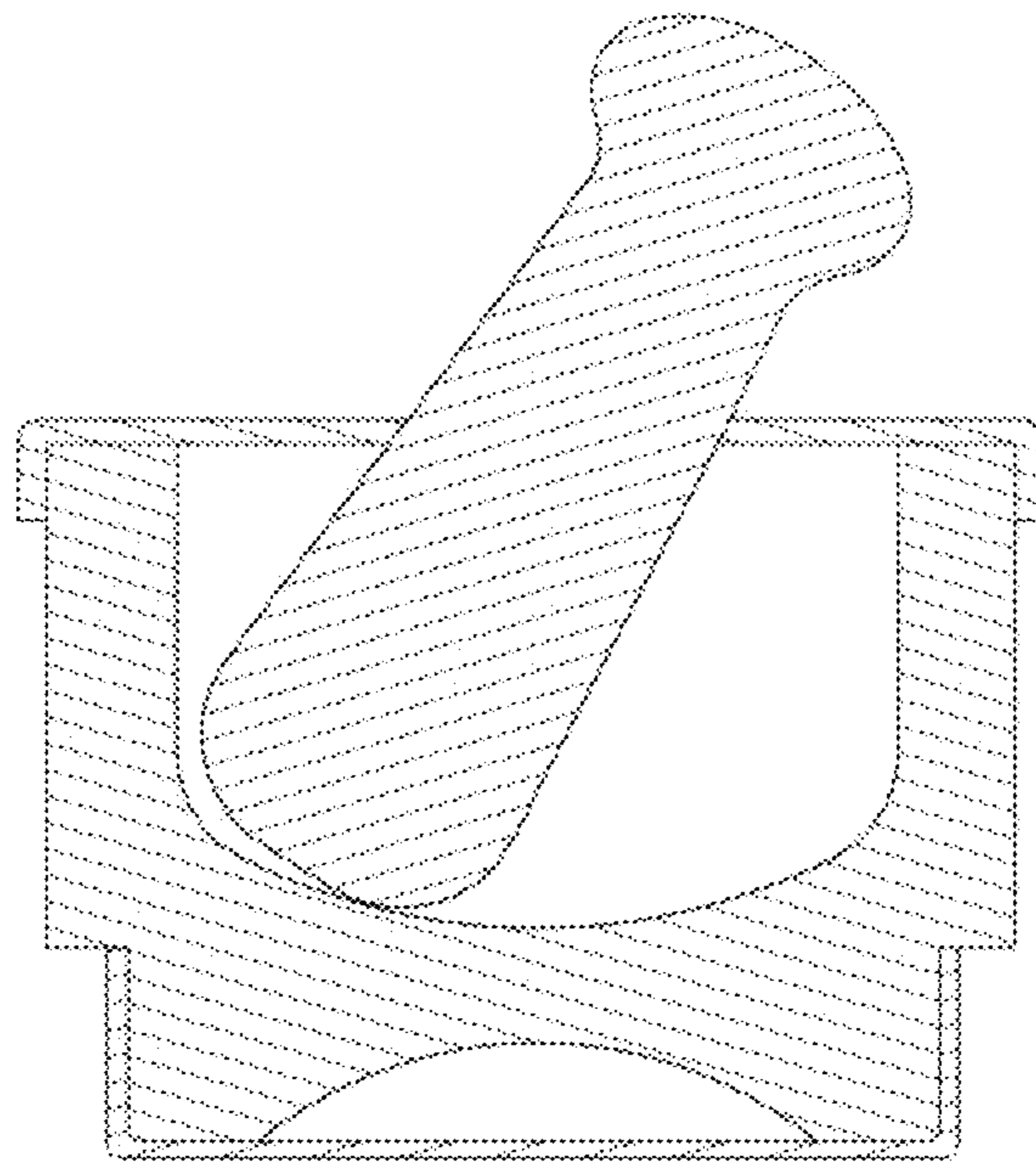


FIG. 5

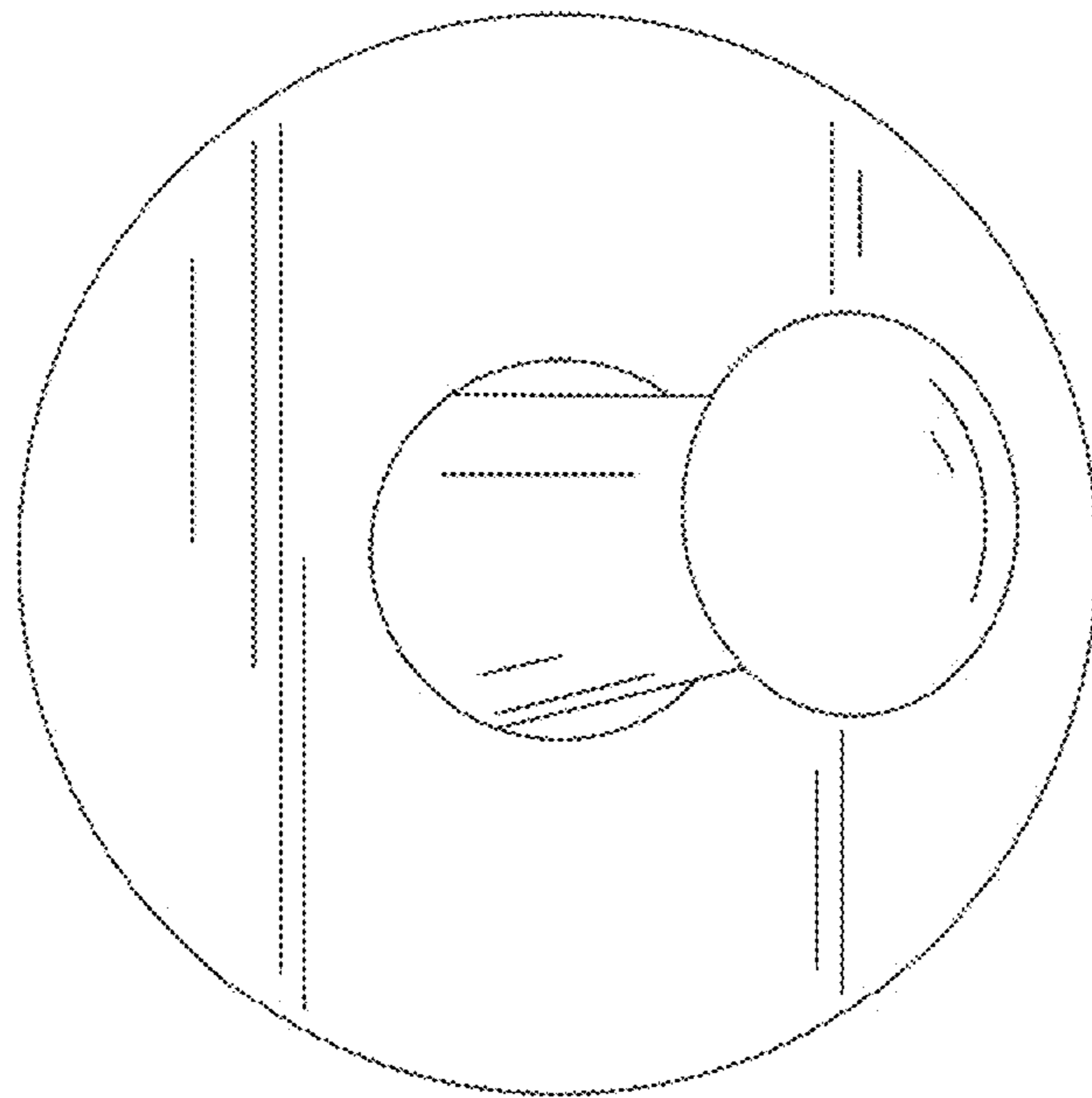


FIG. 6

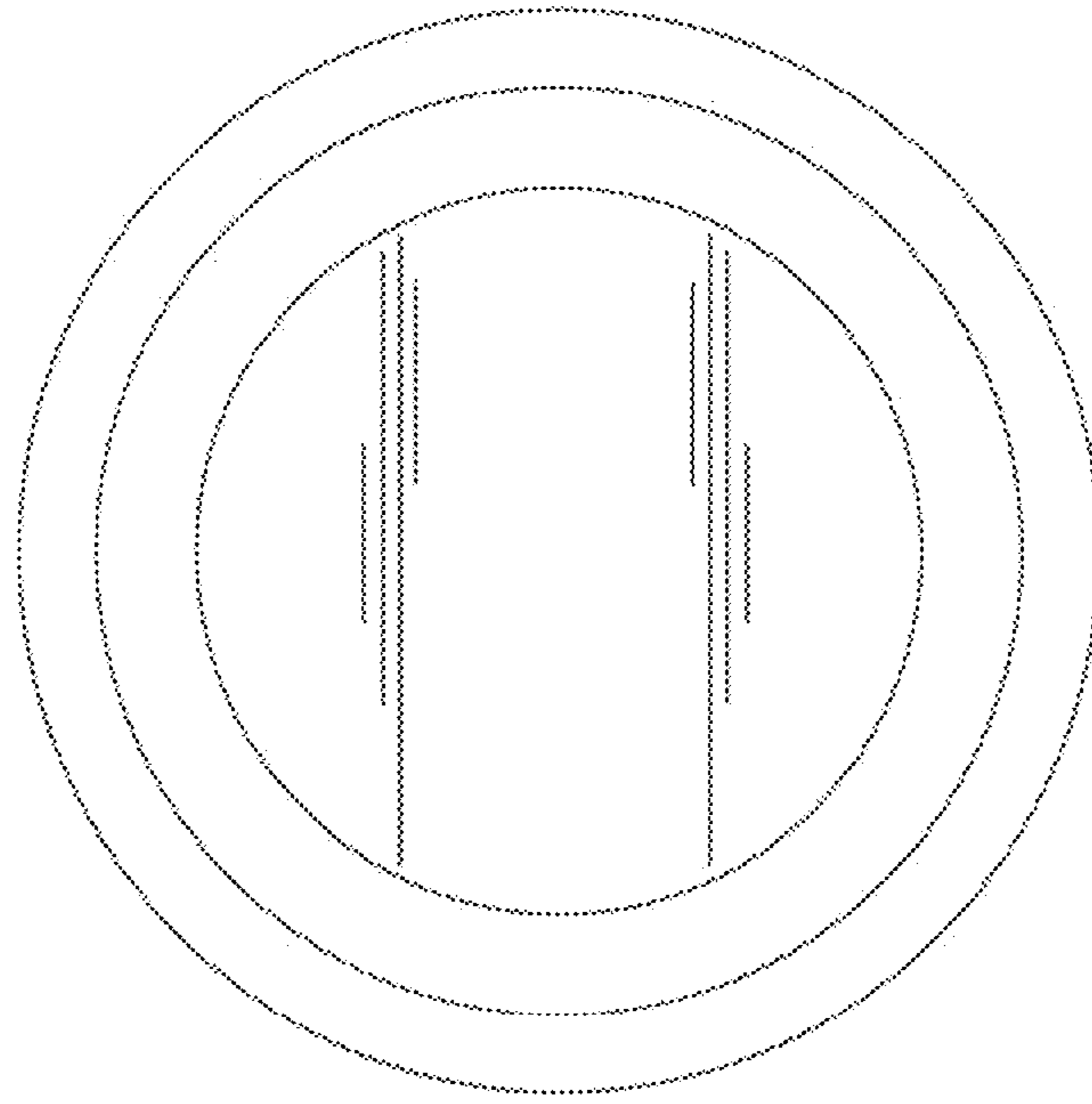


FIG. 7