



US00D883511S

(12) **United States Design Patent** (10) **Patent No.:** **US D883,511 S**
Li (45) **Date of Patent:** **** May 5, 2020**

(54) **PORTABLE SANITIZER**

(71) Applicant: **Xiong Li**, Shenzhen (CN)

(72) Inventor: **Xiong Li**, Shenzhen (CN)

(**) Term: **15 Years**

(21) Appl. No.: **29/720,486**

(22) Filed: **Jan. 14, 2020**

(51) **LOC (12) Cl.** **24-01**

(52) **U.S. Cl.**
USPC **D24/217**

(58) **Field of Classification Search**

USPC D24/216, 217, 218, 219, 231; D3/205
CPC A61L 2/26; A61L 2/24; A61L 2/17; A61L
2/18; A61L 2/025; A61L 2202/122; A61L
2202/10; A61L 2202/11; A61L 2202/14;
A61L 2202/23; A61L 2202/24; A61L
2202/182

See application file for complete search history.

(56) **References Cited**

U.S. PATENT DOCUMENTS

D476,423 S *	6/2003	Picot	D24/217
D531,771 S *	11/2006	Kim	D32/25
D601,711 S *	10/2009	Lin	D24/217
D622,406 S *	8/2010	Russell, II	D24/217
D802,788 S *	11/2017	Cormier	D24/229
D809,152 S *	1/2018	Chan	D24/217
D854,705 S *	7/2019	Ouyang	D24/217
D862,723 S *	10/2019	Ouyang	D24/217
D874,062 S *	1/2020	McGarry	D3/205
2019/0099509 A1 *	4/2019	Martz	A61L 2/085

OTHER PUBLICATIONS

“C-pap Cleaner and Sanitizer |Cpap Apap Bipap Machine Cleaner Sterilizer Cleaning Kit for Resrned Respironics Tube and Mask”, Retrieved Jan. 14, 2020]. Retrieved from Internet, <https://www.dhgate.com/store/product/c-pap-cleaner-and-sanitizer-cpap-apap-bipap/437661712.html>.

“Portable Mini CPAP Cleaner and Sanitizer Cleaning Disinfecter Daily Sanitizing”, Retrieved Jan. 14, 2020]. Retrieved from Internet, <https://www.ebay.com/au/itm/Portable-Mini-CPAP-Cleaner-and-Sanitizer-Cleaning-Disinfecter-Daily-Sanitizing/143334450238?Hash=item215f66243e:g:P4cAAOSw-sRdM-Ab>.

* cited by examiner

Primary Examiner — Anhdao Doan

(57) **CLAIM**

The ornamental design for a portable sanitizer, as shown and described.

DESCRIPTION

FIG. 1 is a perspective view of a portable sanitizer showing my new design;

FIG. 2 is another perspective view thereof;

FIG. 3 is a front elevational view thereof;

FIG. 4 is a rear elevational view thereof;

FIG. 5 is a left side elevational view thereof;

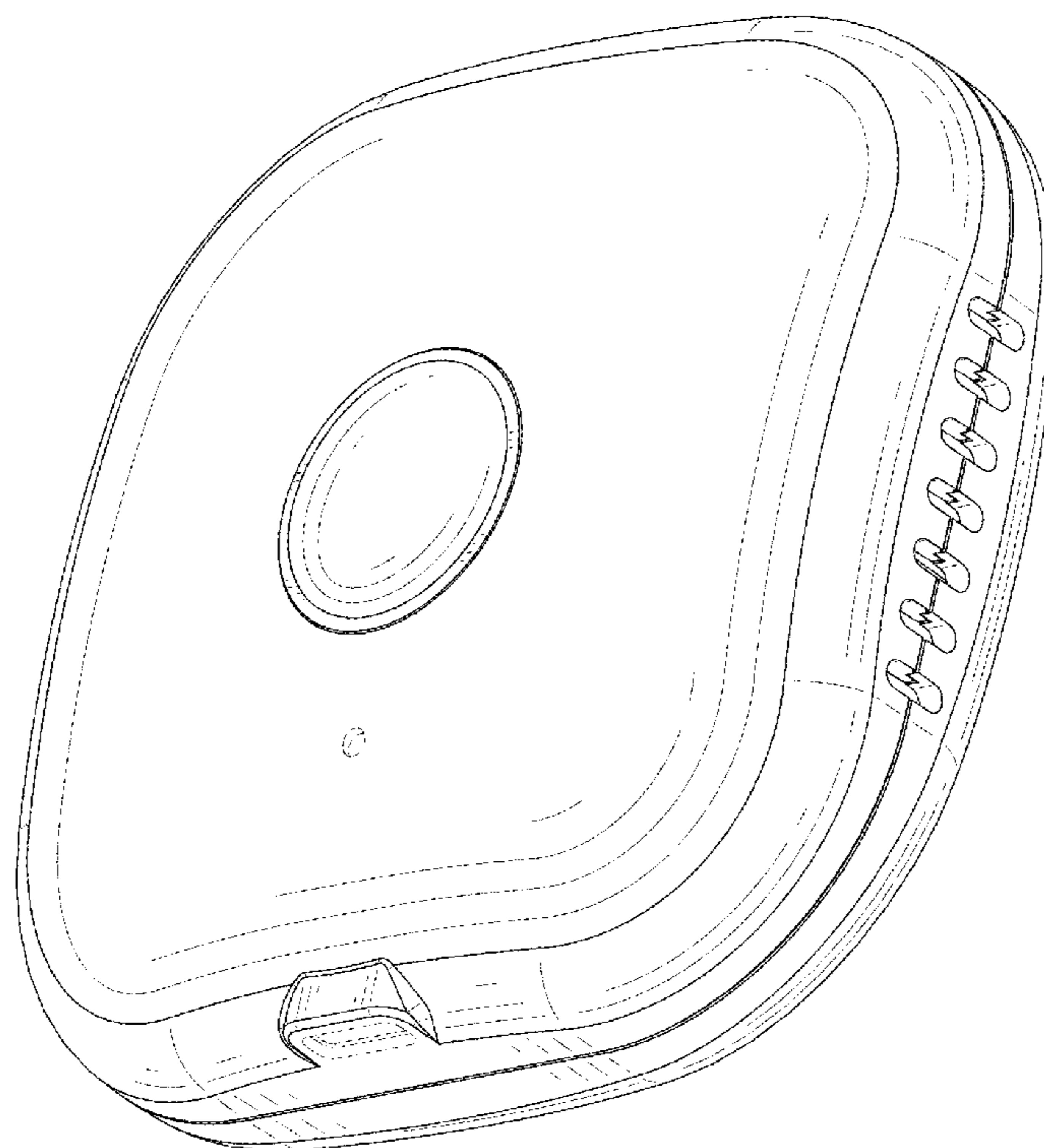
FIG. 6 is a right side elevational view thereof;

FIG. 7 is a top plan view thereof; and,

FIG. 8 is a bottom plan view thereof.

The broken lines in the drawings depict portions of the portable sanitizer that form no part of the claimed design.

1 Claim, 8 Drawing Sheets



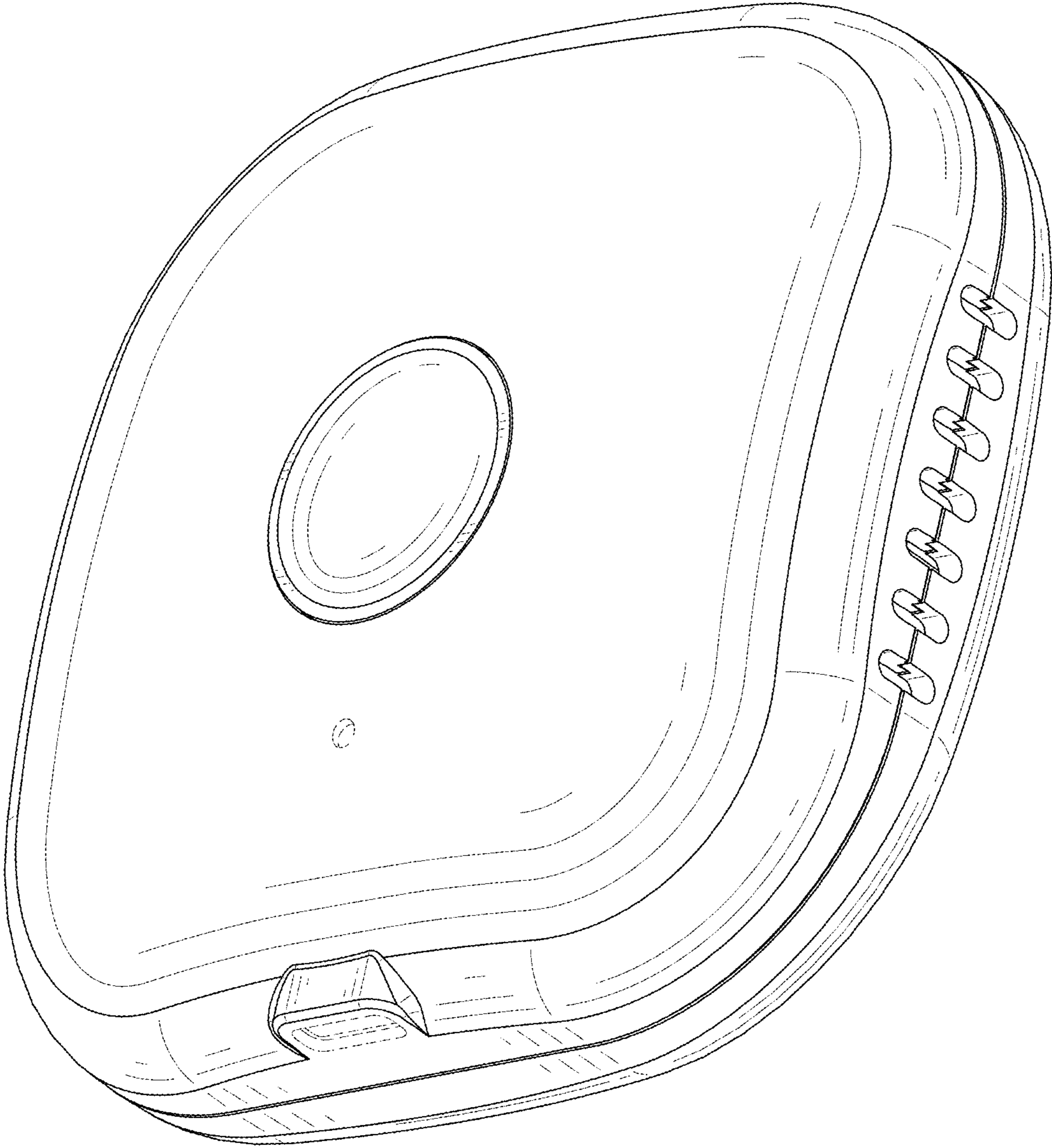


FIG. 1

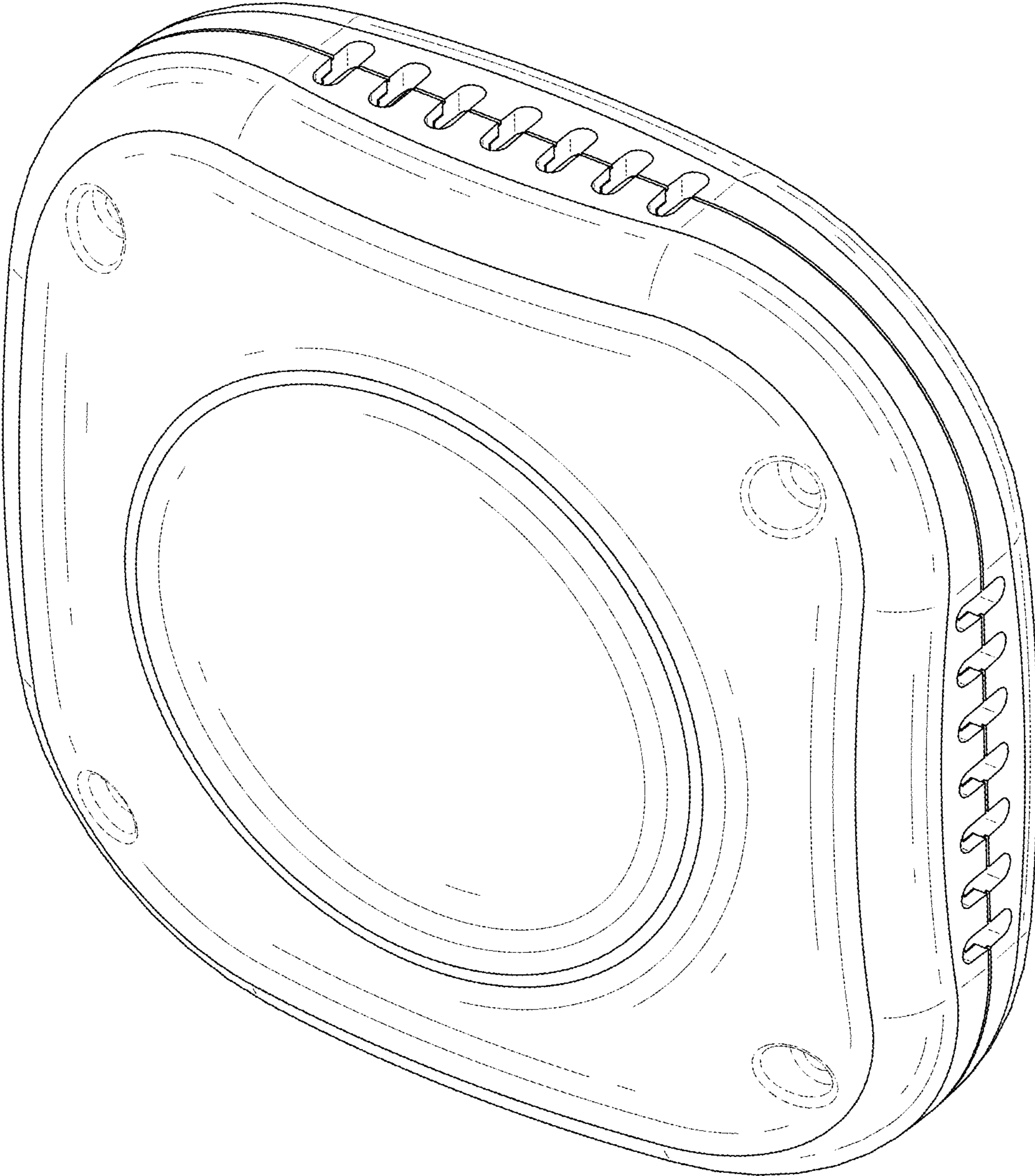


FIG. 2

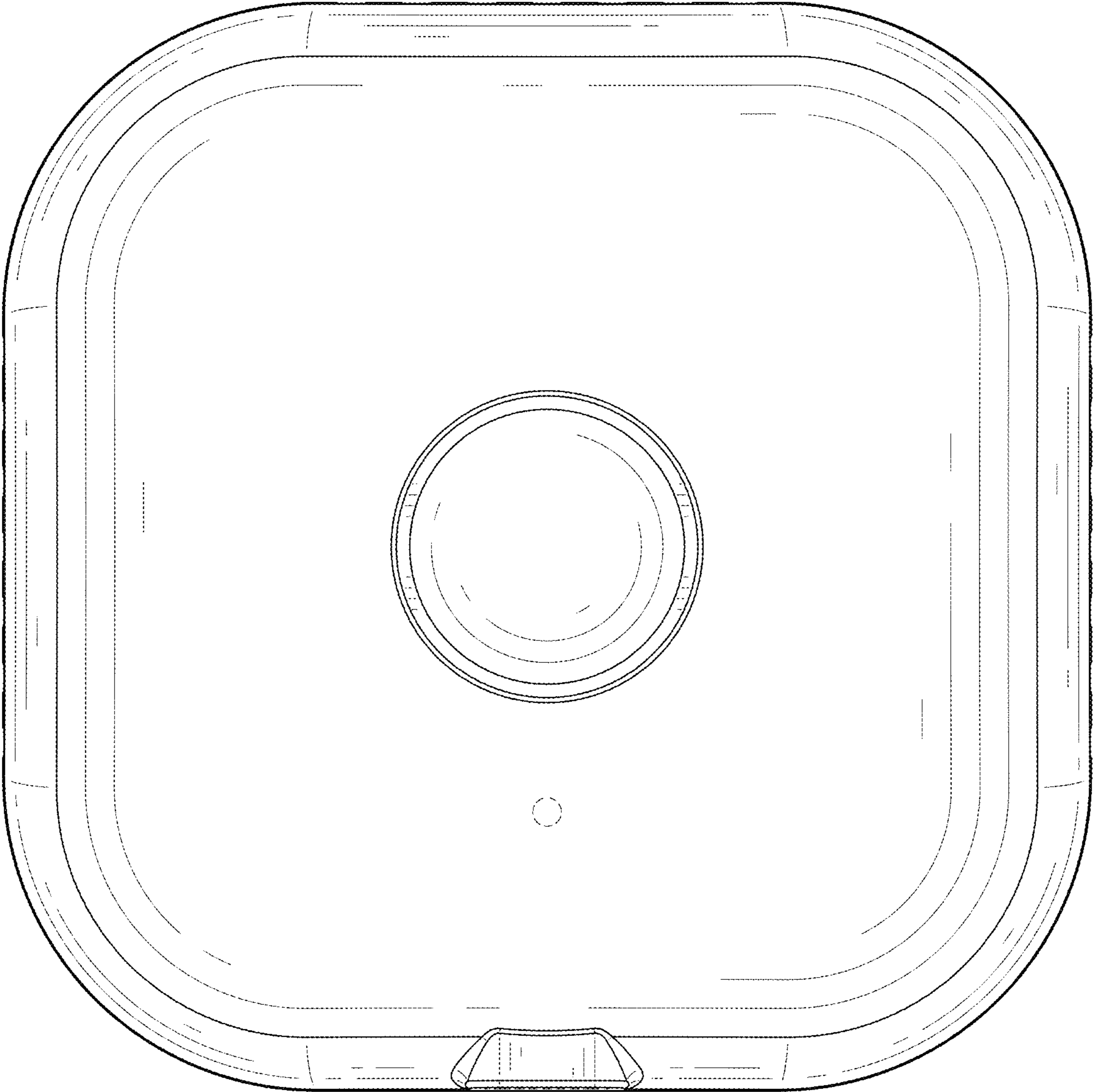


FIG. 3

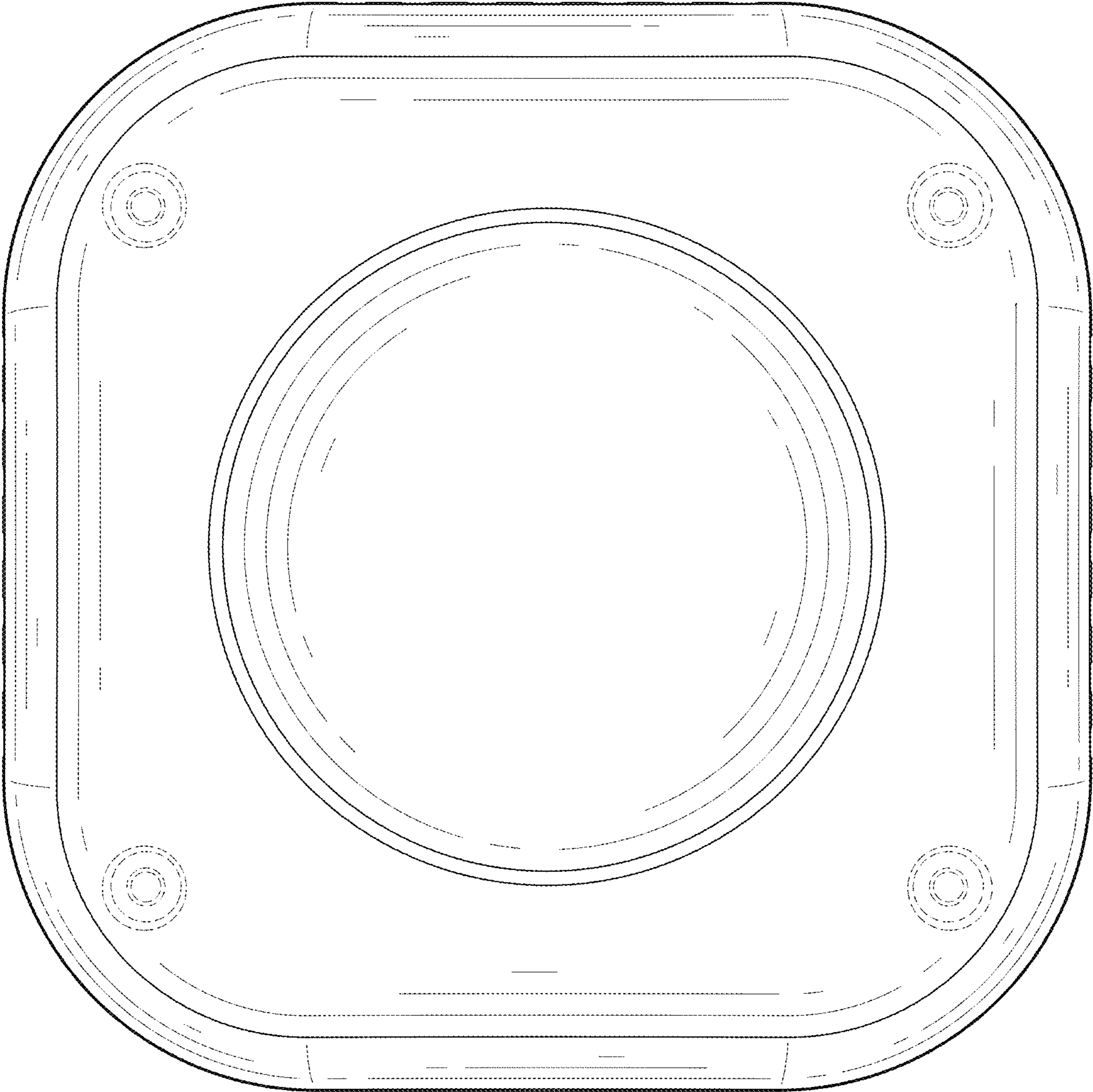


FIG. 4

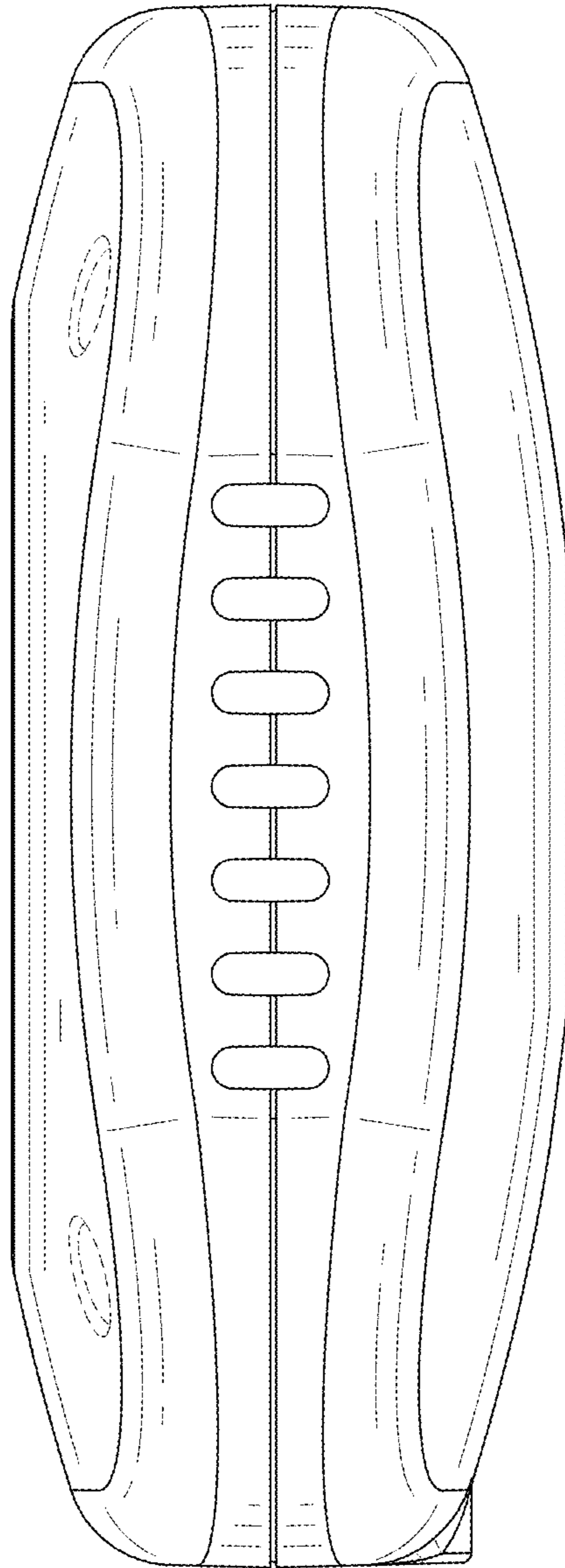


FIG. 5

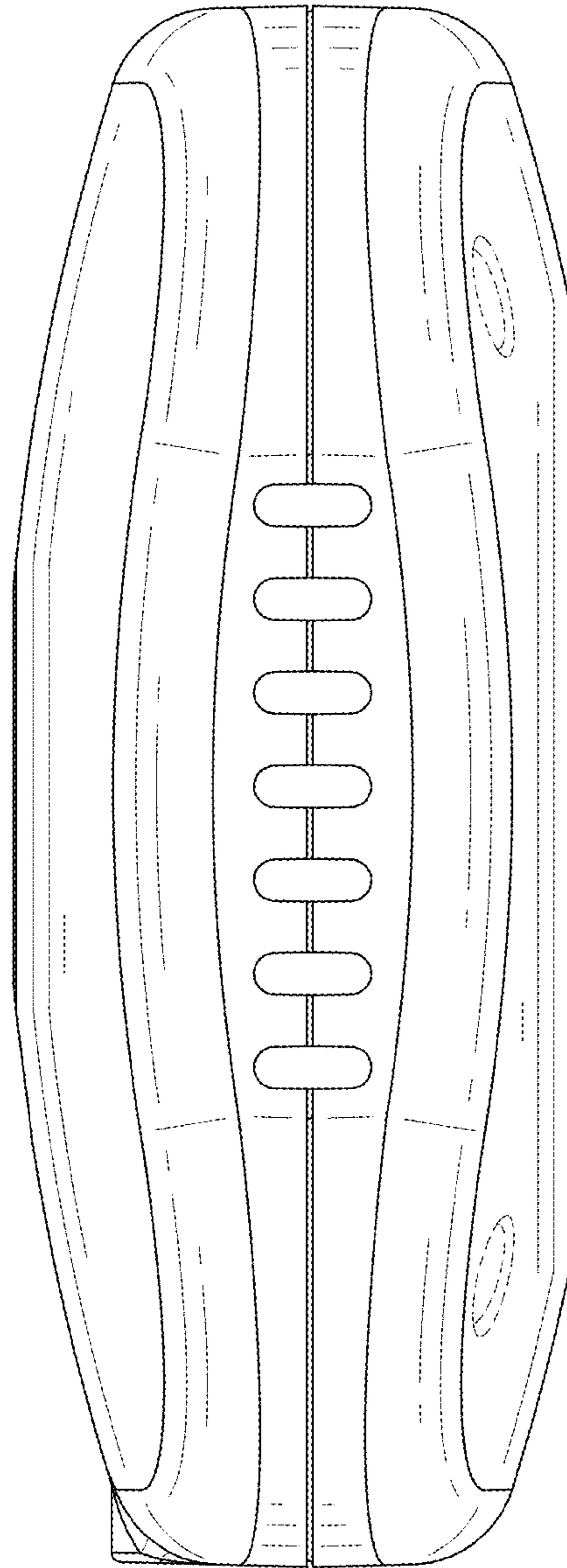


FIG. 6

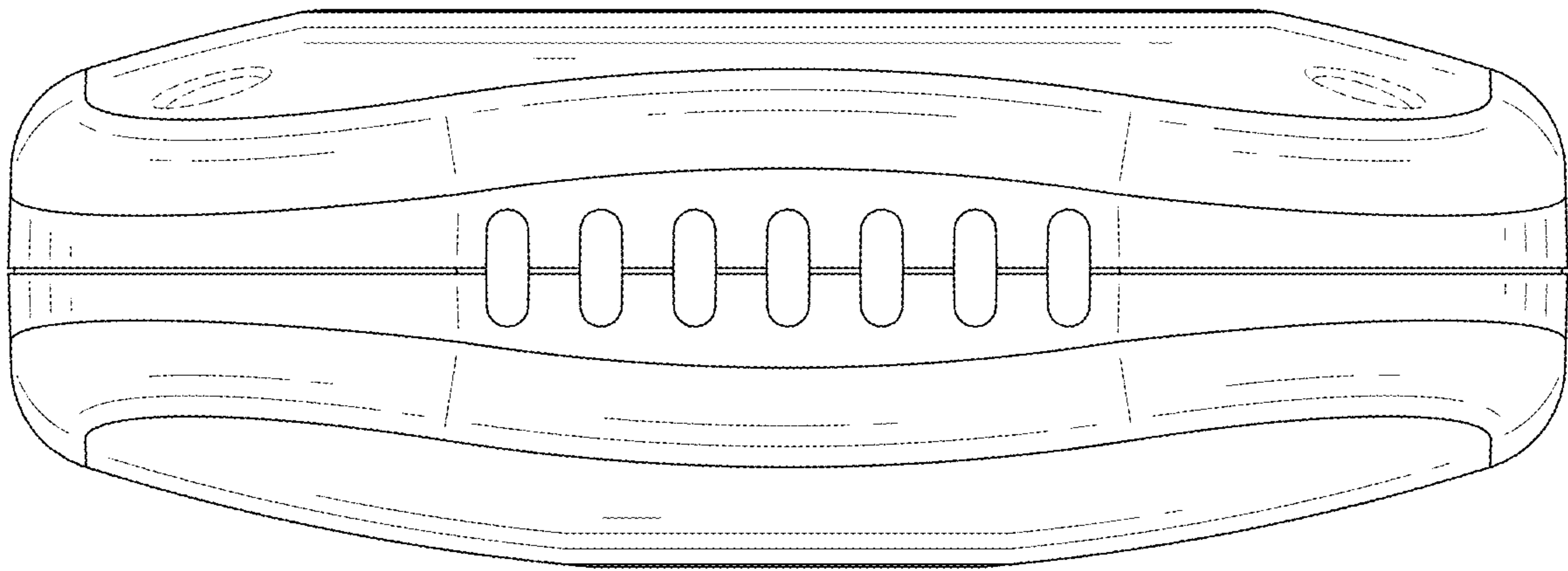


FIG. 7

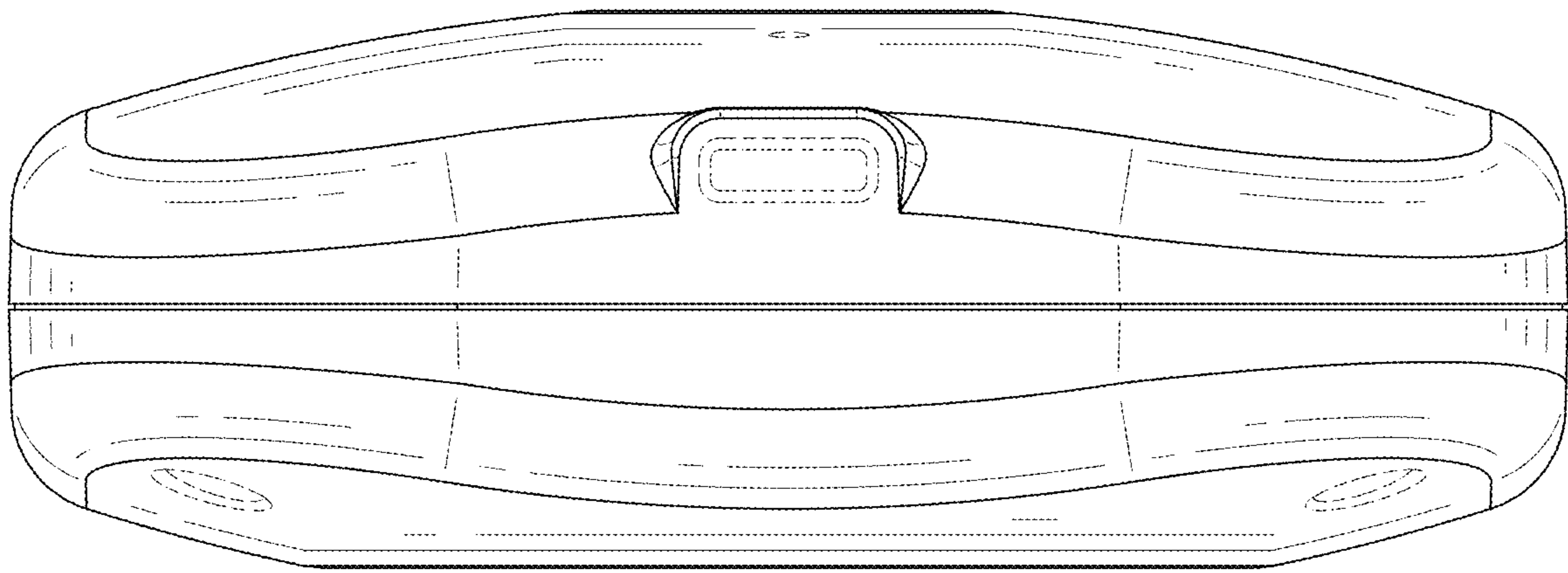


FIG. 8