



US00D883510S

(12) **United States Design Patent**
Neuman

(10) **Patent No.:** **US D883,510 S**

(45) **Date of Patent:** **** May 5, 2020**

(54) **BIOLOGICAL SLIDE SCANNER**

(71) Applicant: **Ventana Medical Systems, Inc.,**
Tucson, AZ (US)

(72) Inventor: **Yair Barak Neuman,** London (GB)

(73) Assignee: **Ventana Medical Systems, Inc.,**
Tucson, AZ (US)

(**) Term: **15 Years**

(21) Appl. No.: **29/639,461**

(22) Filed: **Mar. 6, 2018**

(51) **LOC (12) Cl.** **24-01**

(52) **U.S. Cl.**
USPC **D24/216**

(58) **Field of Classification Search**
USPC D24/107, 185, 186, 216, 231–234, 223;
D10/81; D14/420

CPC G01N 21/0483; G01N 21/0303; G01N
21/6428; G01N 21/6486; G01N
35/00029; G01N 35/00019; G01N
2035/00326; G01N 2201/061; B01L
3/527; B01L 3/5027; B01L 2200/027;
B01L 2300/0816; B01L 2300/0822

See application file for complete search history.

(56) **References Cited**

U.S. PATENT DOCUMENTS

D424,956 S * 5/2000 von Buelow D10/81
7,157,729 B2 * 1/2007 Urbon G03B 42/08
250/588

D571,474 S * 6/2008 Sjo-Gaber D24/186
D699,724 S * 2/2014 Isozaki D14/421
D735,878 S * 8/2015 Chang D24/216
D809,143 S * 1/2018 Long D24/164
D835,293 S * 12/2018 Masuda D24/232
2012/0076391 A1* 3/2012 Dietz G02B 21/367
382/133
2015/0140563 A1* 5/2015 Conoci G01N 21/6452
435/6.11
2015/0226759 A1* 8/2015 Connolly G01N 35/109
435/287.3
2016/0054316 A1* 2/2016 Egan G01N 21/6486
506/9

* cited by examiner

Primary Examiner — Anhdao Doan

(74) *Attorney, Agent, or Firm* — Kilpatrick Townsend &
Stockton, LLP

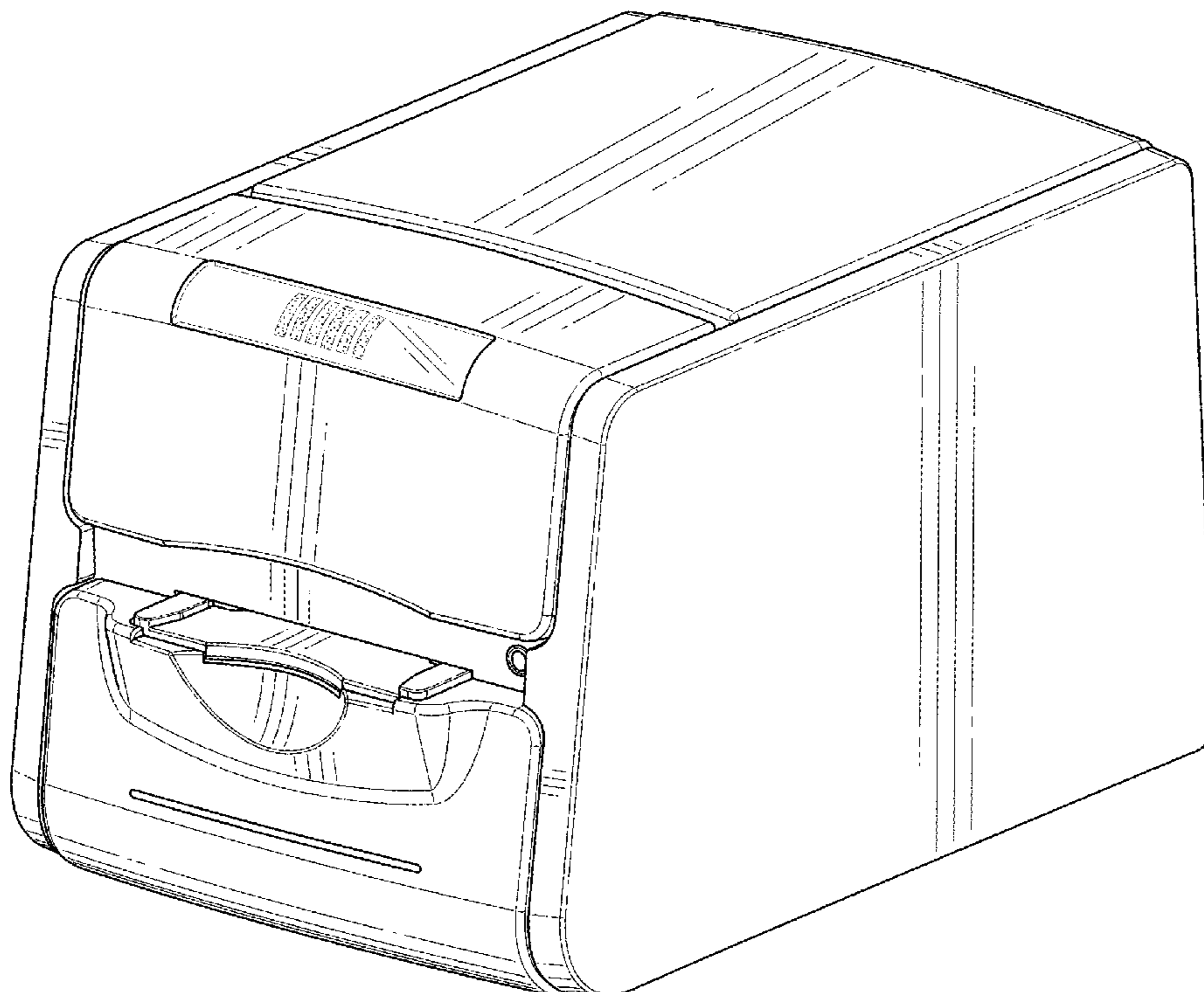
(57) **CLAIM**

The ornamental design for a biological slide scanner, as
shown and described.

DESCRIPTION

FIG. 1 is a first top-front perspective view of a biological
slide scanner showing my new design;
FIG. 2 is a second top-front perspective view thereof;
FIG. 3 is a front elevational view thereof;
FIG. 4 is a rear elevational view thereof;
FIG. 5 is a left side elevational view thereof;
FIG. 6 is a right side elevational view thereof;
FIG. 7 is a top plan view thereof; and,
FIG. 8 is a bottom plan view thereof.
The broken lines illustrate portions of the biological slide
scanner that form no part of the claimed design.

1 Claim, 8 Drawing Sheets



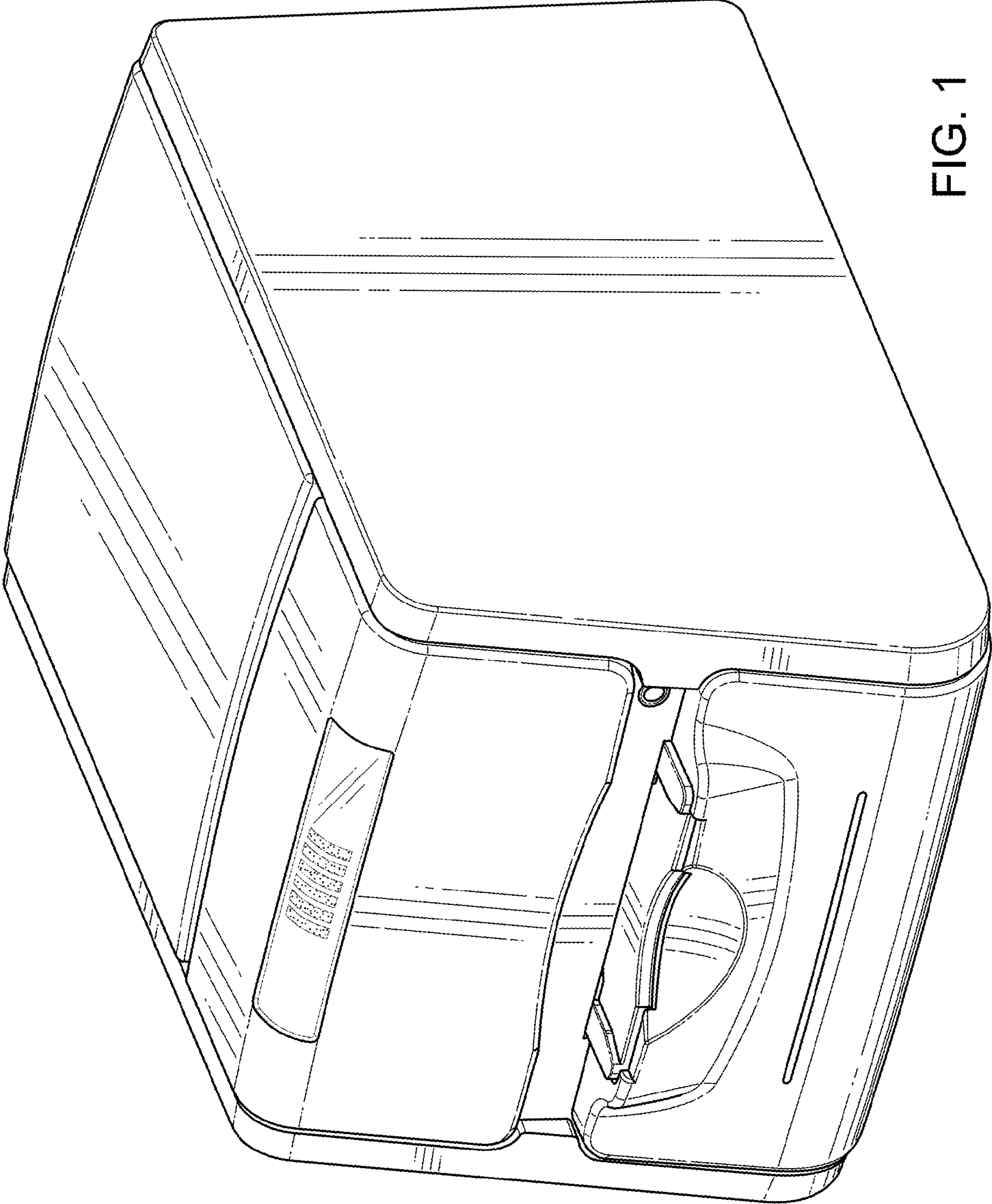


FIG. 1

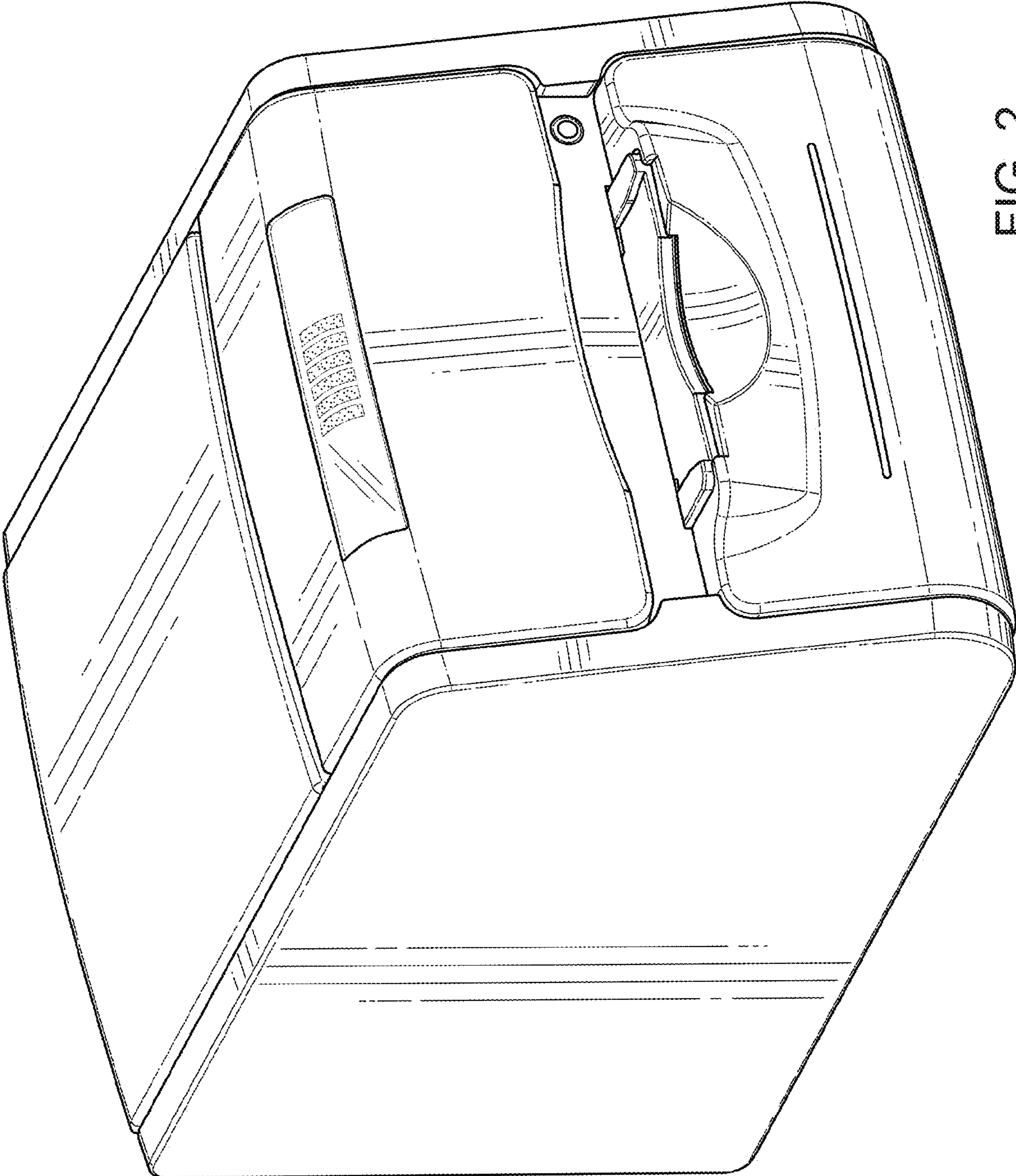


FIG. 2

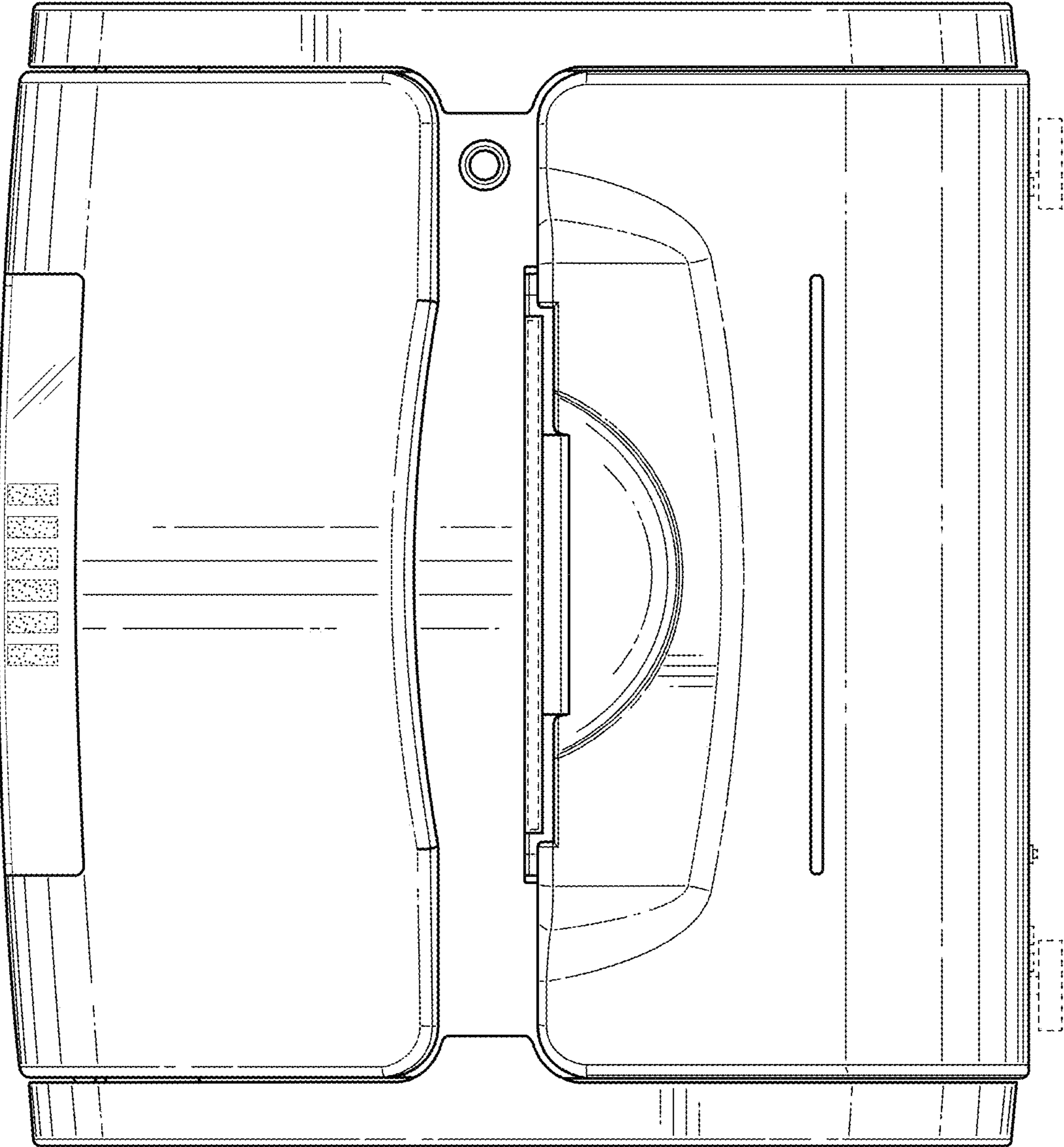


FIG. 3

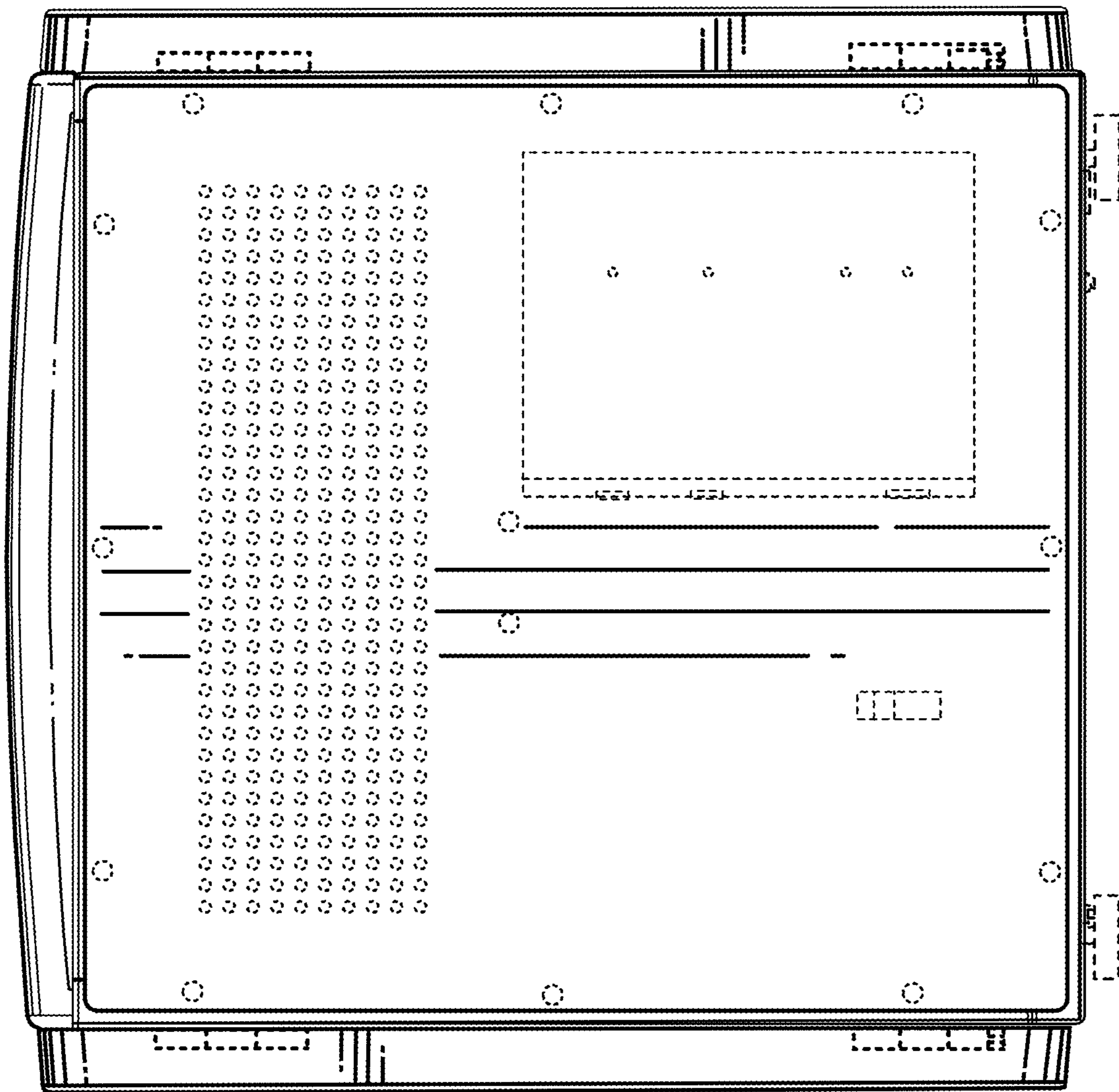


FIG. 4

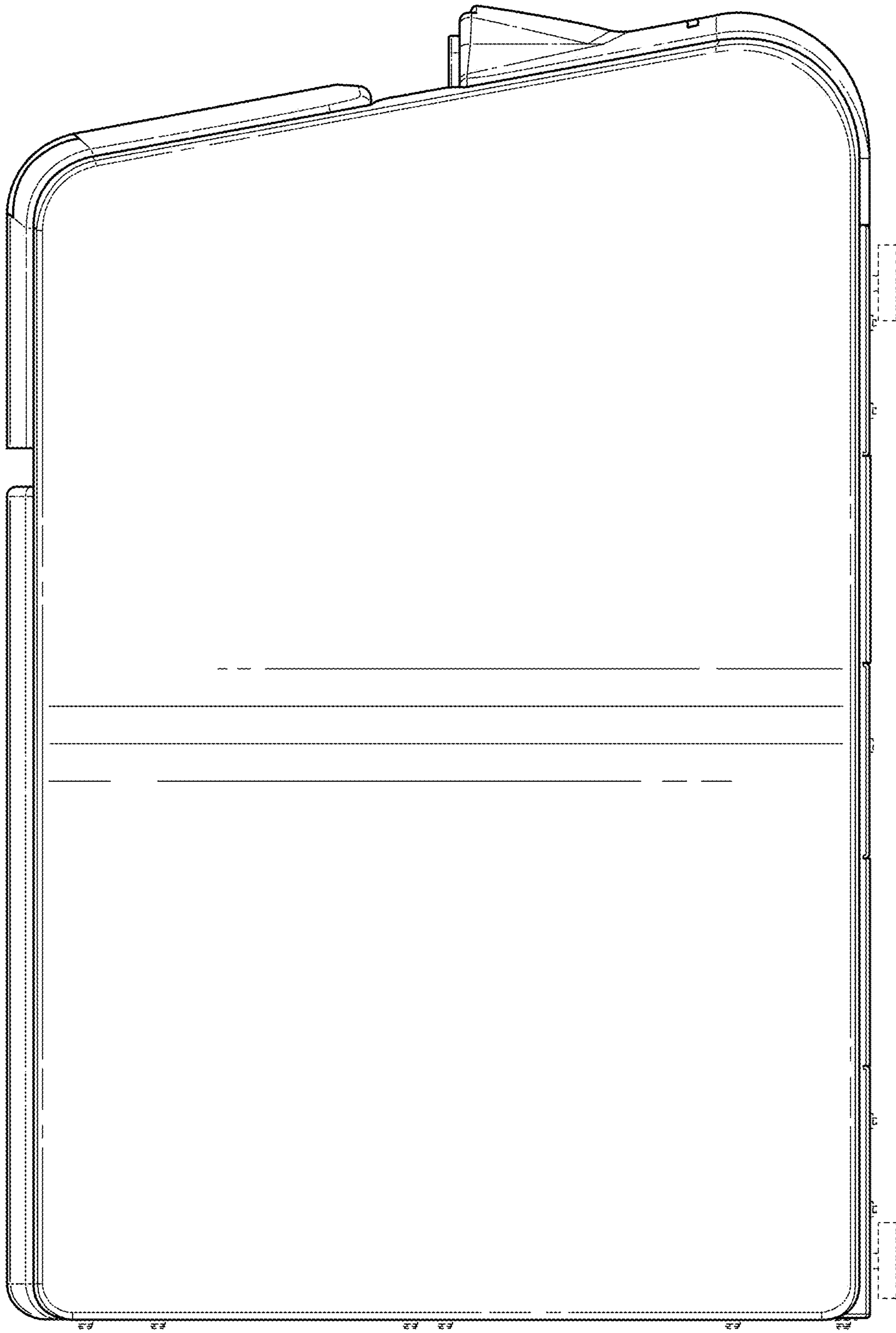


FIG. 5

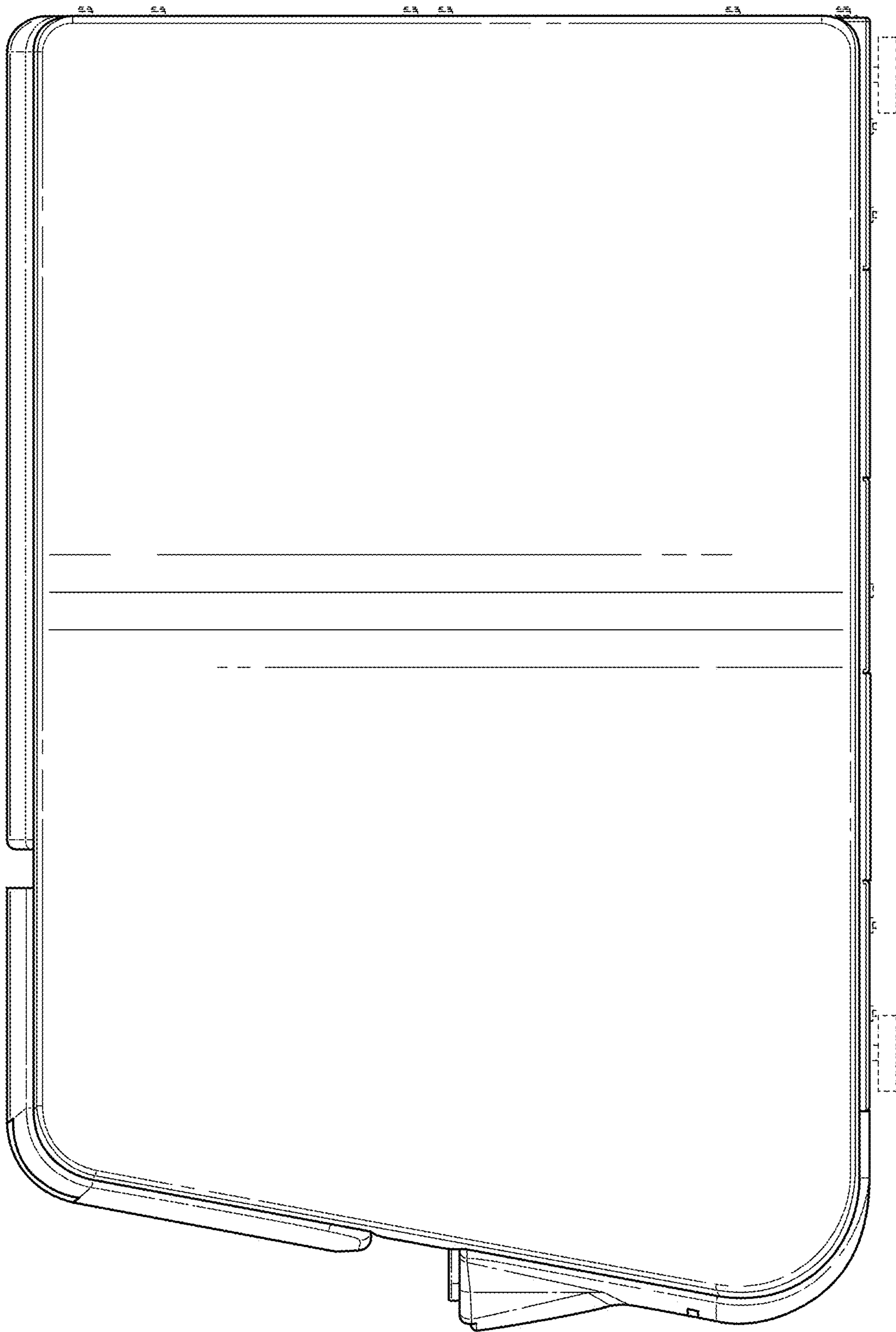


FIG. 6

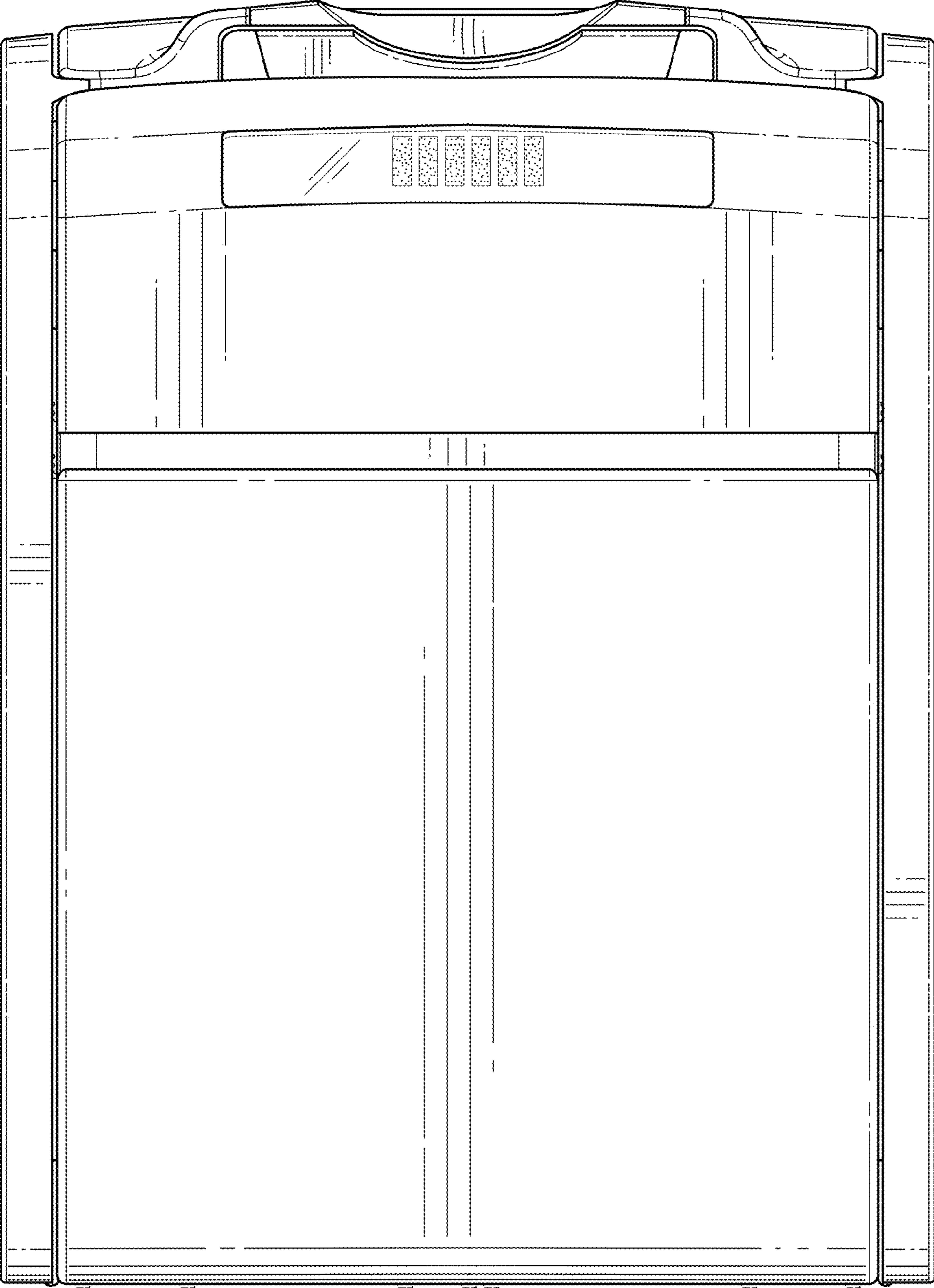


FIG. 7

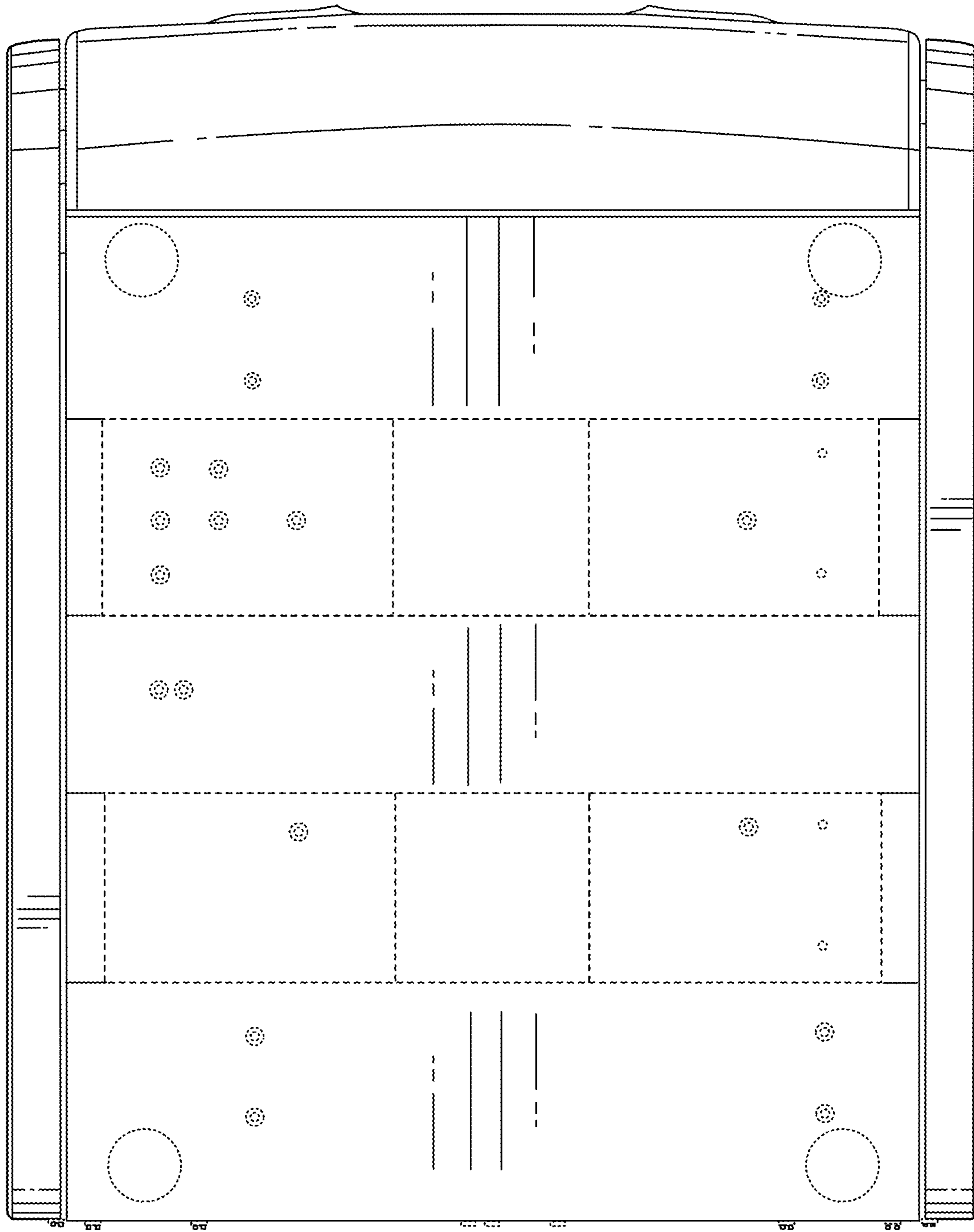


FIG. 8