



US00D883497S

(12) **United States Design Patent**
Ostergard

(10) **Patent No.:** **US D883,497 S**

(45) **Date of Patent:** **** May 5, 2020**

(54) **SHOULDER STABILIZER**

(71) Applicant: **Doak Matthew Ostergard**, Lincoln, NE (US)

(72) Inventor: **Doak Matthew Ostergard**, Lincoln, NE (US)

(**) Term: **15 Years**

(21) Appl. No.: **29/648,209**

(22) Filed: **May 18, 2018**

(51) **LOC (12) Cl.** **24-04**

(52) **U.S. Cl.**
USPC **D24/190**

(58) **Field of Classification Search**
USPC D24/188-192, 200, 206, 214, 215;
D29/100, 111, 113, 116.3, 120.1, 120.2,
D29/121.1, 121.2
CPC A61F 5/00; A61F 5/01; A61F 5/013; A61F
5/058; A61F 5/3738; A61F 5/02118;
A61F 5/012; A61F 13/101; A41D 27/10
See application file for complete search history.

(56) **References Cited**

U.S. PATENT DOCUMENTS

- 5,628,725 A * 5/1997 Ostergard A61F 5/3746
602/20
- 7,081,101 B1 * 7/2006 Sawa A61F 5/34
602/19
- D713,044 S * 9/2014 Eriksson D24/190
- D713,045 S * 9/2014 Eriksson D24/190
- D713,046 S * 9/2014 Eriksson D24/190
- D713,047 S * 9/2014 Eriksson D24/190

- D819,219 S * 5/2018 Izuka D24/190
- D849,255 S * 5/2019 Colleran D24/190
- 2012/0041352 A1 * 2/2012 Ostergard A61F 5/3723
602/20
- 2016/0213504 A1 * 7/2016 Colleran A61F 5/013

OTHER PUBLICATIONS

Aryse. Sfast. No date specified. <https://aryse.com/product/sfast/> (Year: 0).*

Youtube. Fast Tutorial Video-Posterior. Aryse. Jul. 17, 2019. <https://www.youtube.com/watch?v=Lgys1-W8o5Q> (Year: 2019).*

* cited by examiner

Primary Examiner — Darcey E Gottschalk

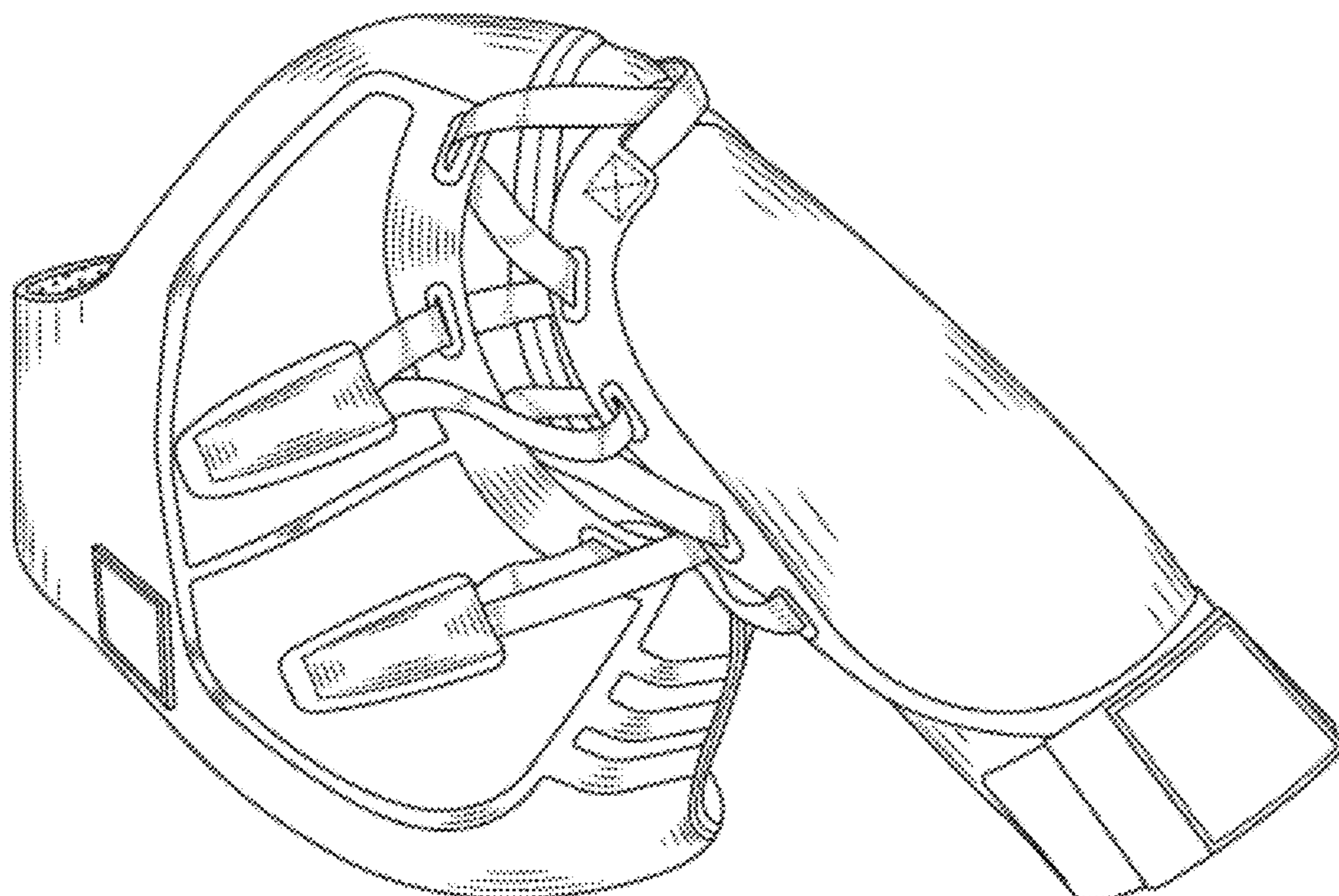
(57) **CLAIM**

I claim the ornamental design for a shoulder stabilizer, as shown and described.

DESCRIPTION

FIG. 1 Is a front perspective view of the shoulder stabilizer.
 FIG. 2 Is a front orthographic view of the shoulder stabilizer.
 FIG. 3 Is a back orthographic view of the shoulder stabilizer.
 FIG. 4 Is a top orthographic view of the shoulder stabilizer.
 FIG. 5 Is a bottom orthographic view of the shoulder stabilizer.
 FIG. 6 Is a lateral side orthographic view of the of the shoulder stabilizer; and,
 FIG. 7 Is an additional lateral side orthographic view of the shoulder stabilizer.
 The broken lines found on the shoulder stabilizer represent stitching and are a part of the claimed design.

1 Claim, 7 Drawing Sheets



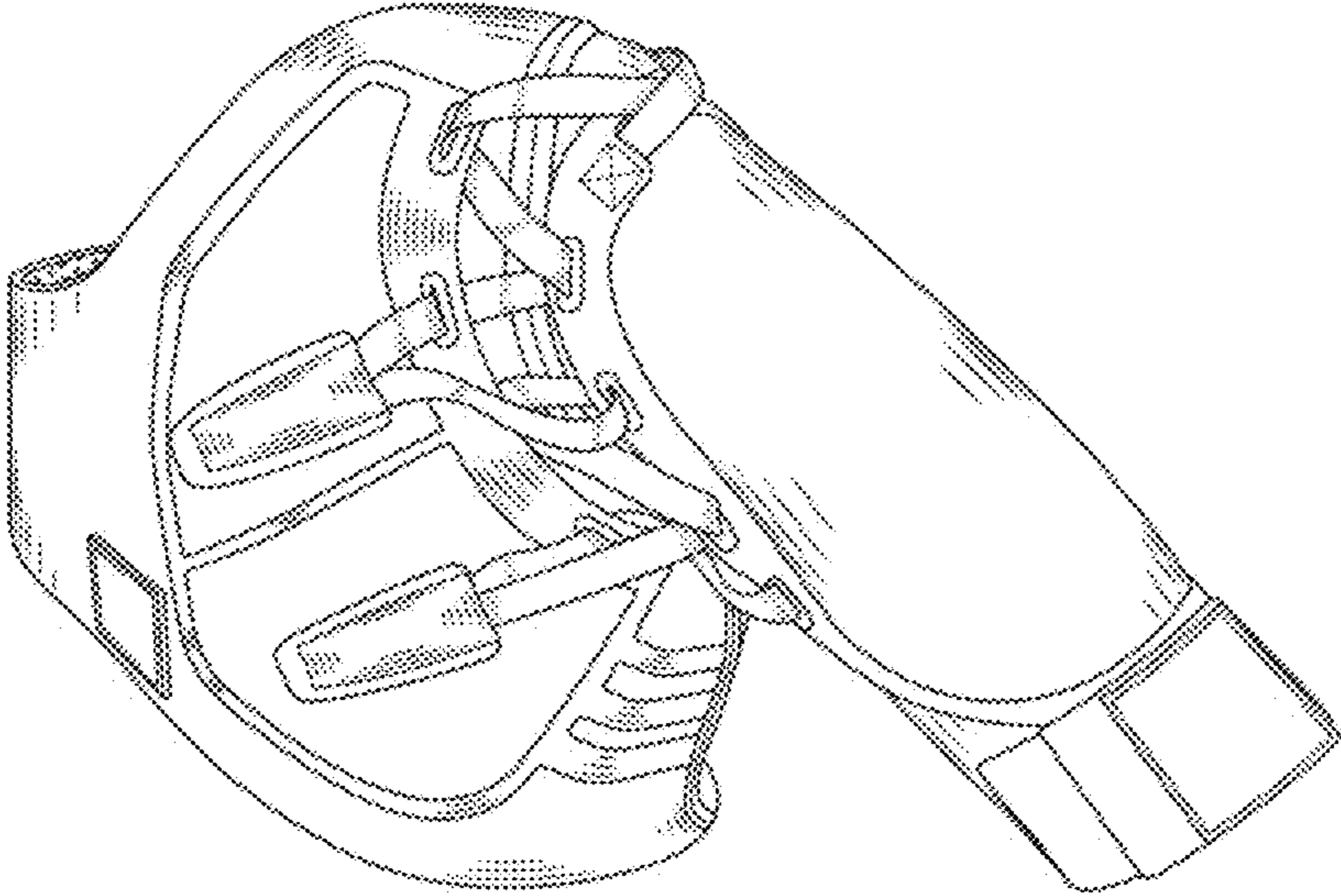


FIG. 1

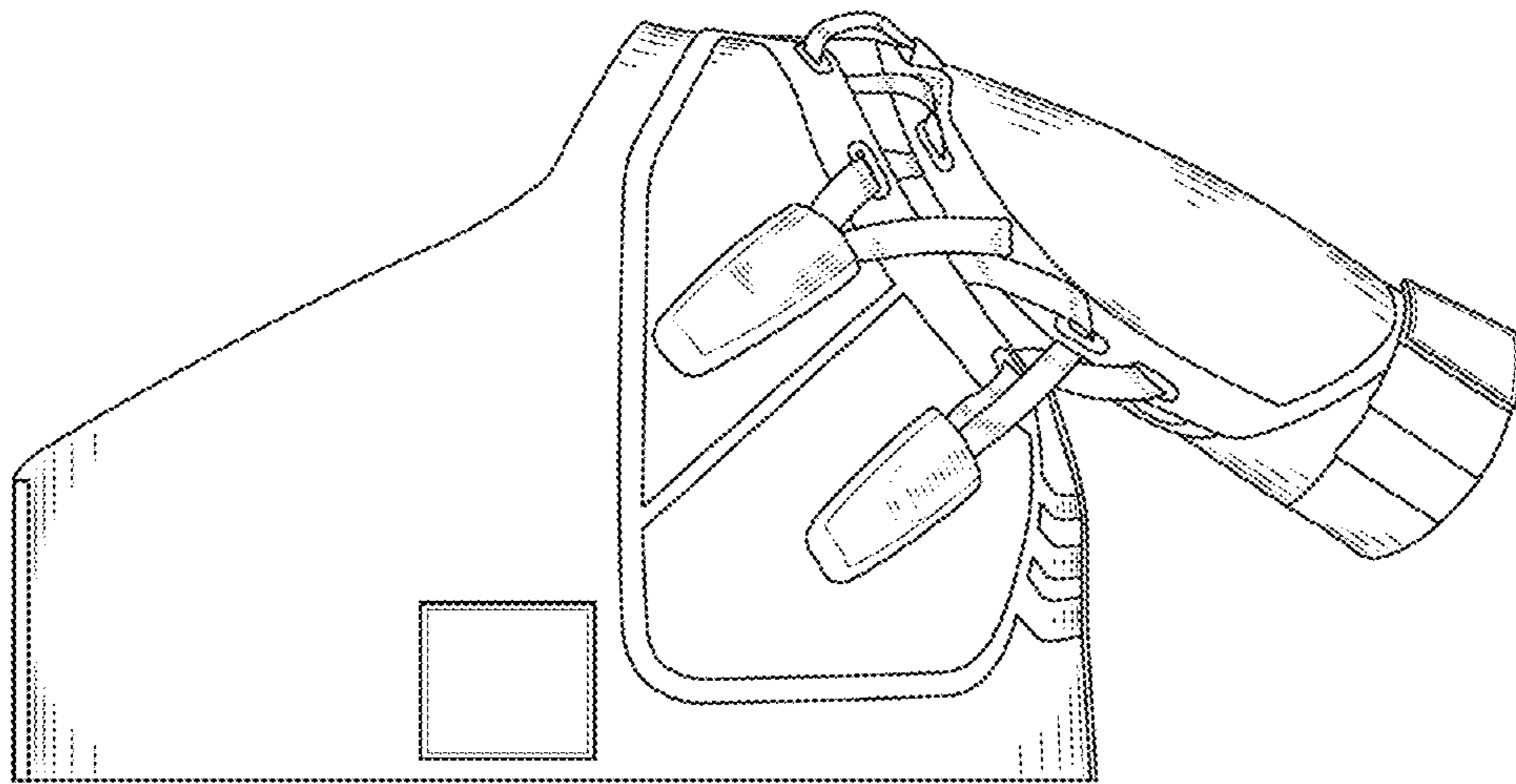


FIG. 2

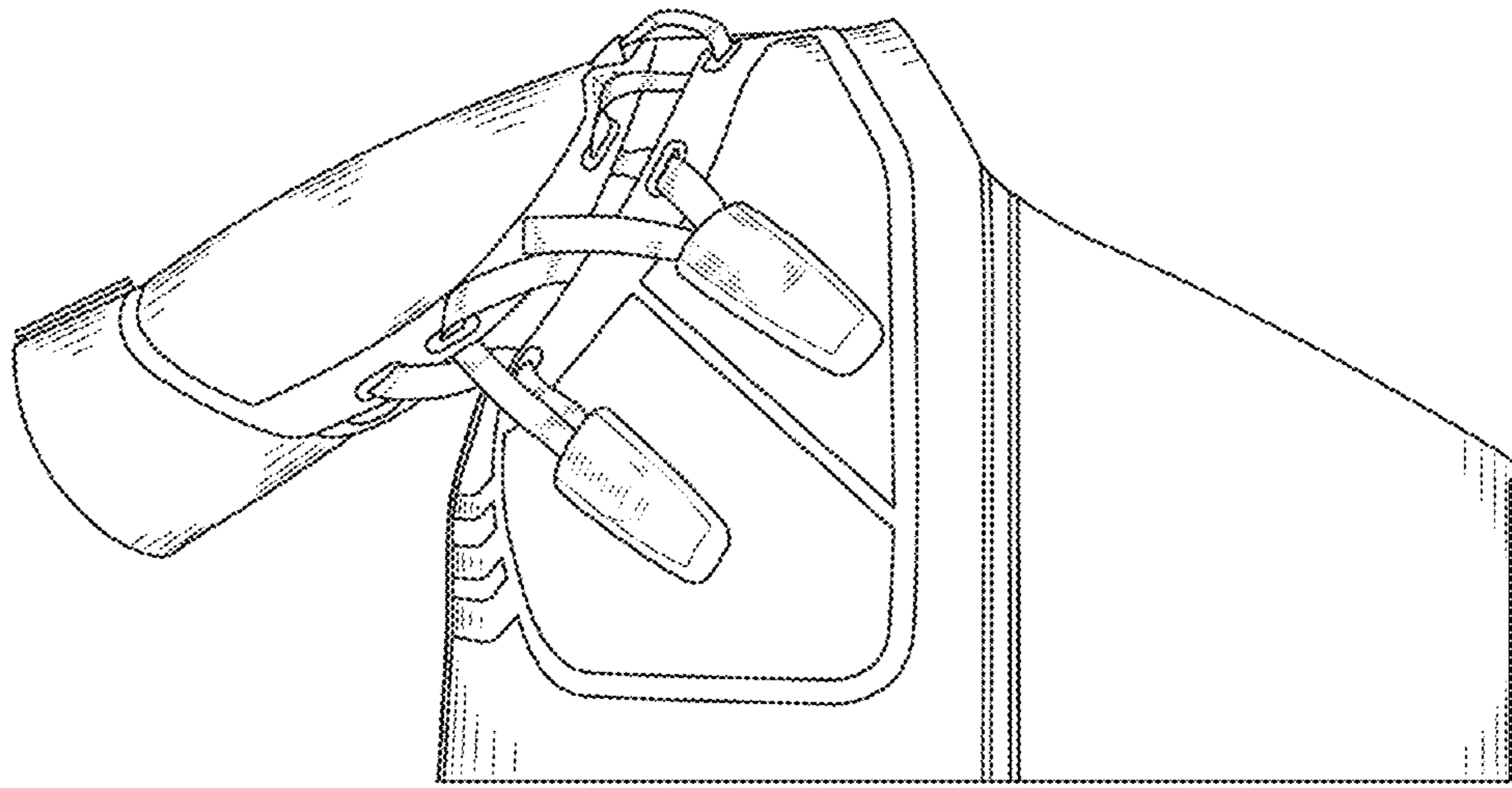


FIG. 3

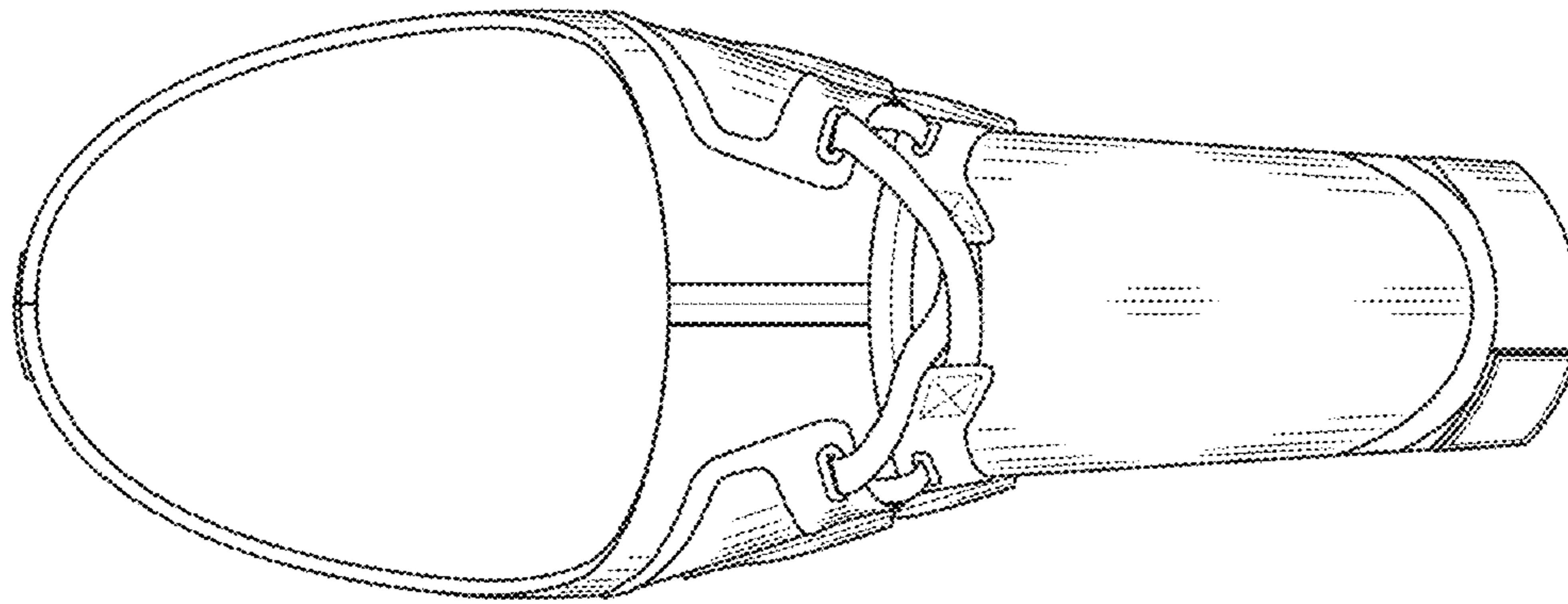


FIG. 4

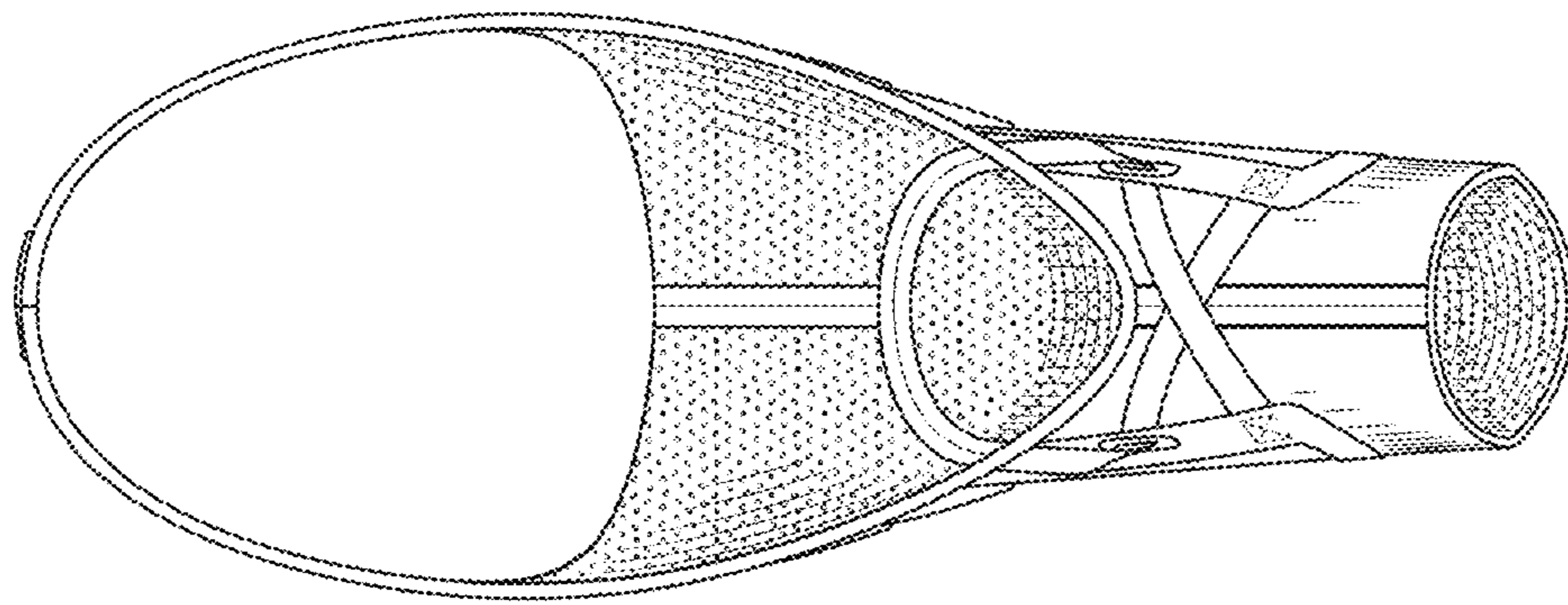


FIG. 5

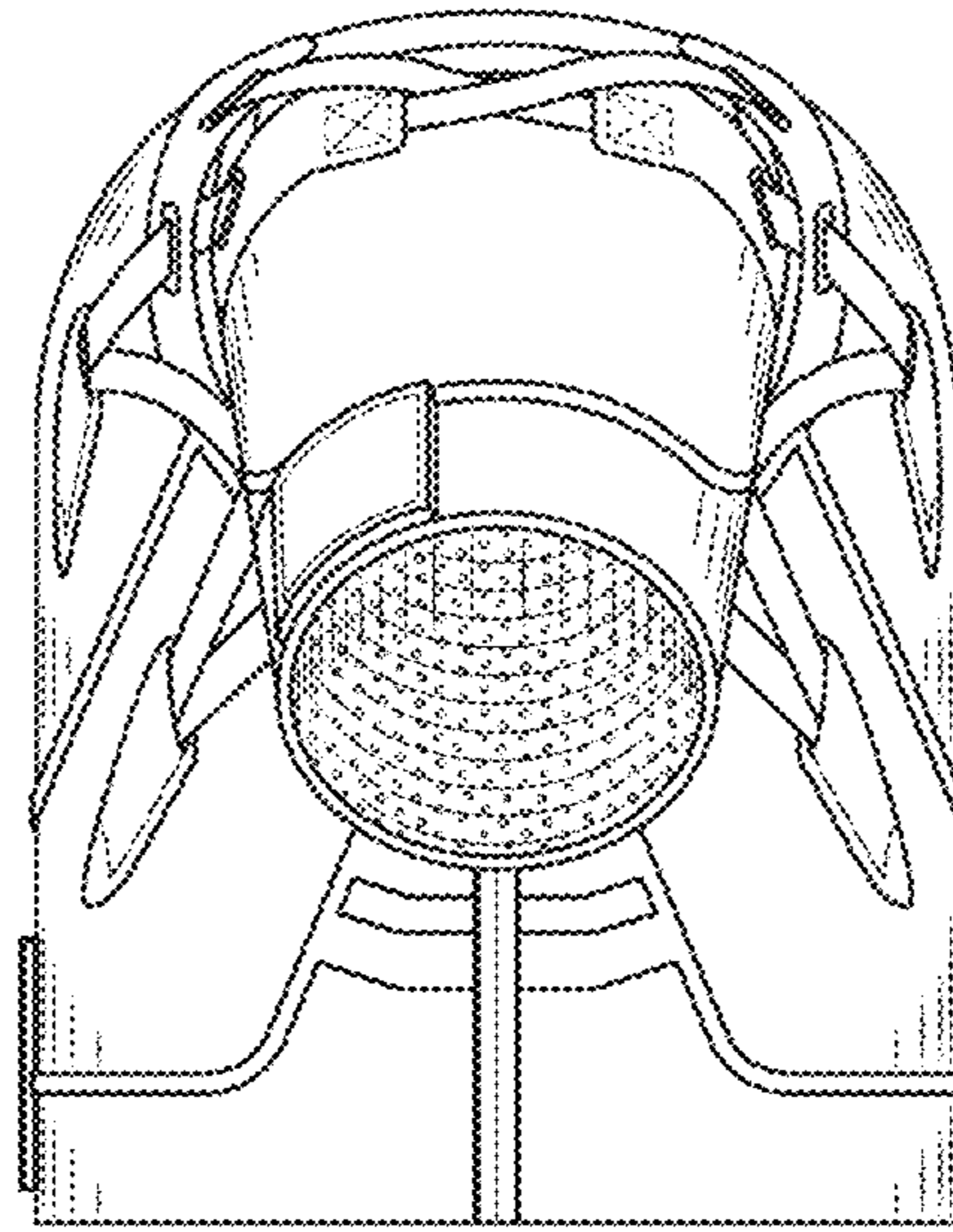


FIG.6

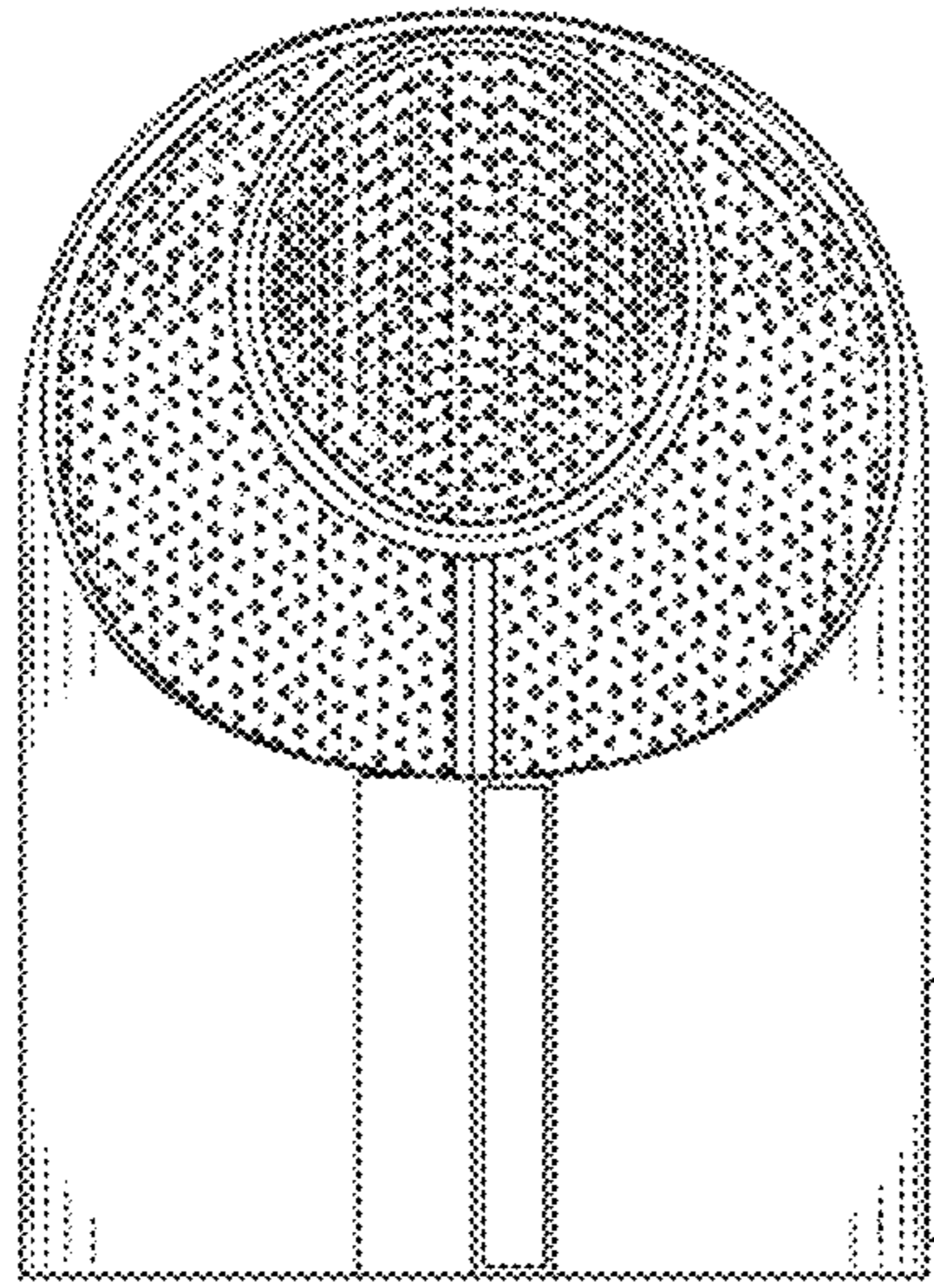


FIG.7