



US00D883496S

(12) **United States Design Patent**
Cahoon

(10) **Patent No.:** **US D883,496 S**

(45) **Date of Patent:** **** May 5, 2020**

(54) **MEDICATED BANDAGE WITH OINTMENT
POCKET**

(71) Applicant: **Christopher R. Cahoon**, Easton, PA
(US)

(72) Inventor: **Christopher R. Cahoon**, Easton, PA
(US)

(**) Term: **15 Years**

(21) Appl. No.: **29/671,999**

(22) Filed: **Nov. 30, 2018**

(51) **LOC (12) Cl.** **24-04**

(52) **U.S. Cl.**
USPC **D24/189**

(58) **Field of Classification Search**
USPC D24/125, 189-192, 206
CPC A61F 5/0118; A61F 13/02; A61F 9/04;
A61F 5/08; A61F 13/0273; A61F 13/108;
Y10T 428/28; A61N 1/044; A61N 1/30
See application file for complete search history.

(56) **References Cited**

U.S. PATENT DOCUMENTS

D287,640 S * 1/1987 Primiano D24/190
5,352,315 A * 10/1994 Carrier A61B 5/04087
156/267

D713,043 S * 9/2014 Warner D24/189
D735,345 S * 7/2015 Spiteri D24/189
D744,662 S * 12/2015 Stevens D2/614
D753,835 S * 4/2016 Pettygrove D24/189
D755,980 S * 5/2016 Jakobsen D24/189
D843,590 S * 3/2019 Mignardi D24/192
10,449,093 B2 * 10/2019 Seifert A61F 11/006
D868,269 S * 11/2019 Sayre A61F 5/05875
D24/190
D873,499 S * 1/2020 Kain D29/114

* cited by examiner

Primary Examiner — Jennifer L Watkins

(74) *Attorney, Agent, or Firm* — Bruce A. Lev

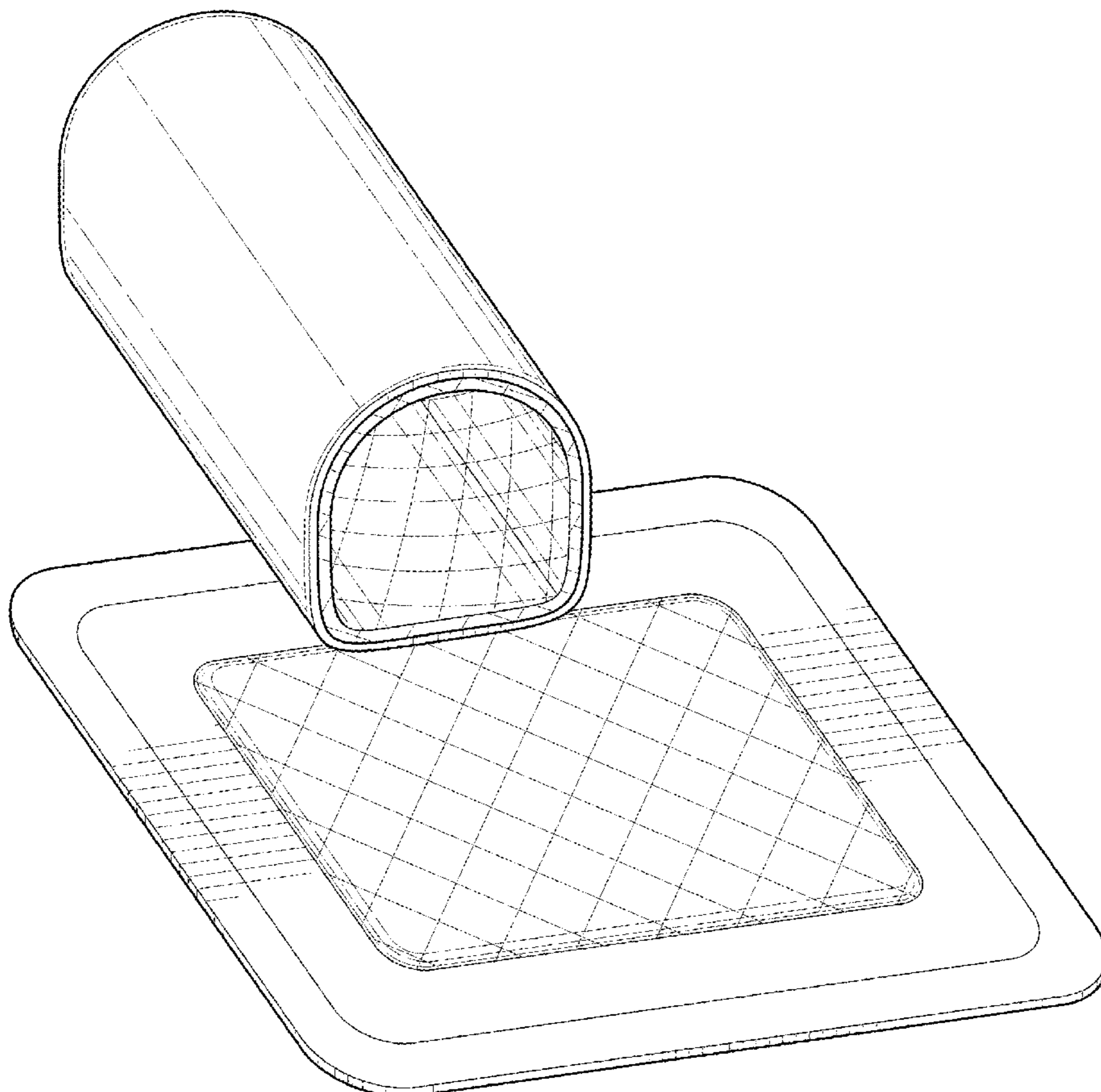
(57) **CLAIM**

The ornamental design for a medicated bandage with ointment pocket, as shown and described.

DESCRIPTION

FIG. 1 is a perspective view of the medicated bandage with ointment pocket showing my new design; FIG. 2 is a front elevation view thereof; FIG. 3 is a rear elevation view thereof; FIG. 4 is a right elevation view thereof; FIG. 5 is a left elevation view thereof; FIG. 6 is a top plan view thereof; and, FIG. 7 is a bottom plan view thereof.

1 Claim, 5 Drawing Sheets



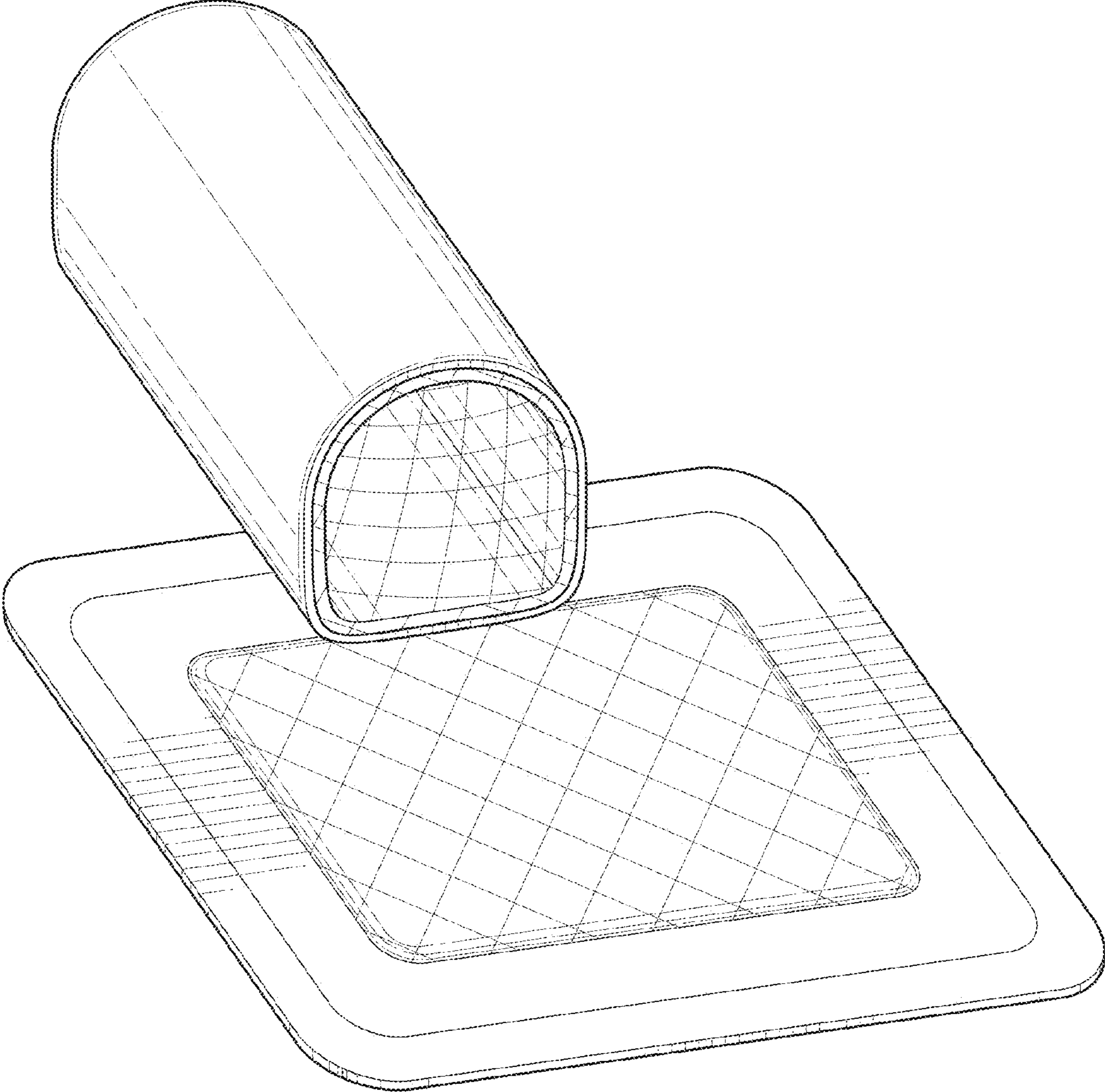


FIG. 1

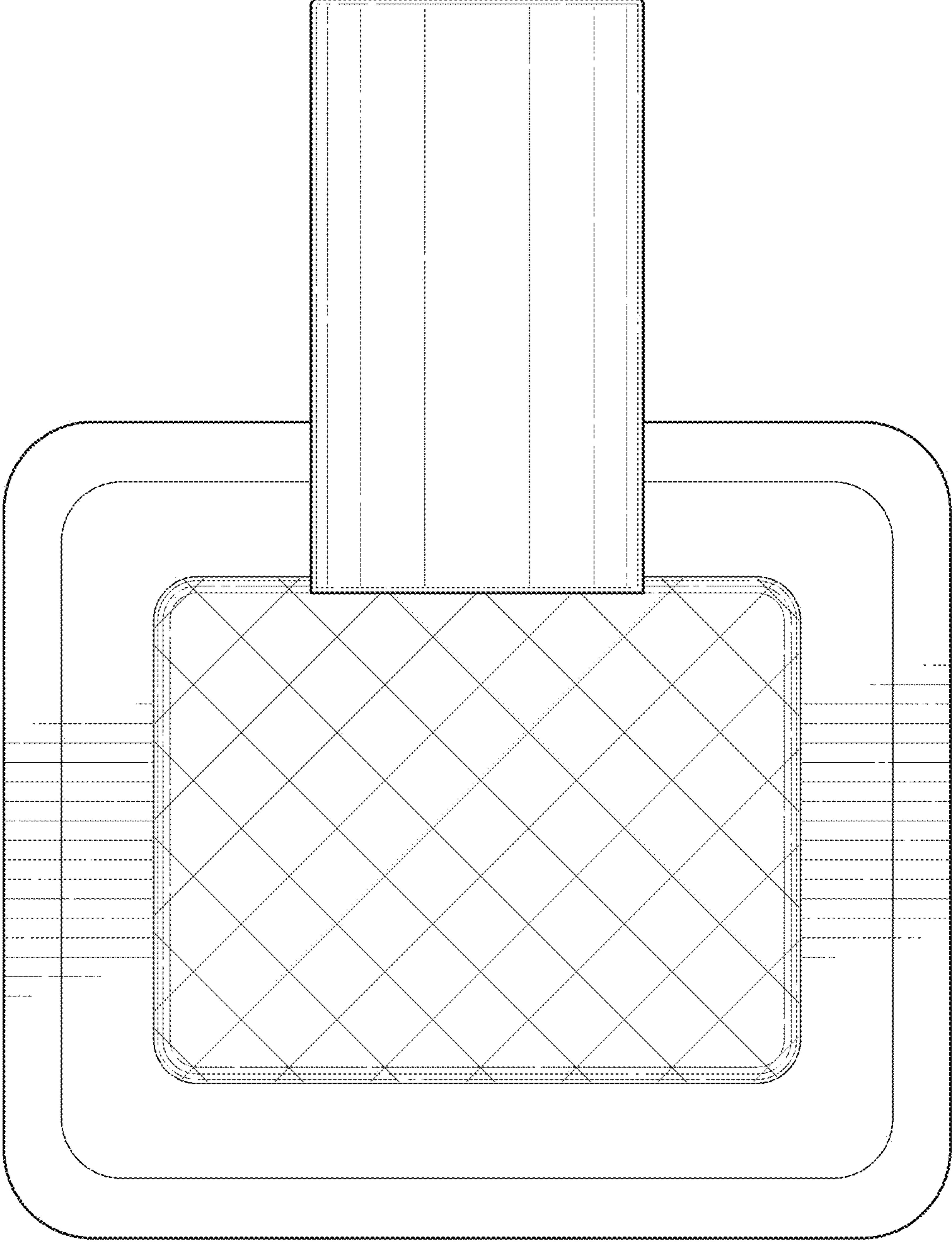


FIG. 2

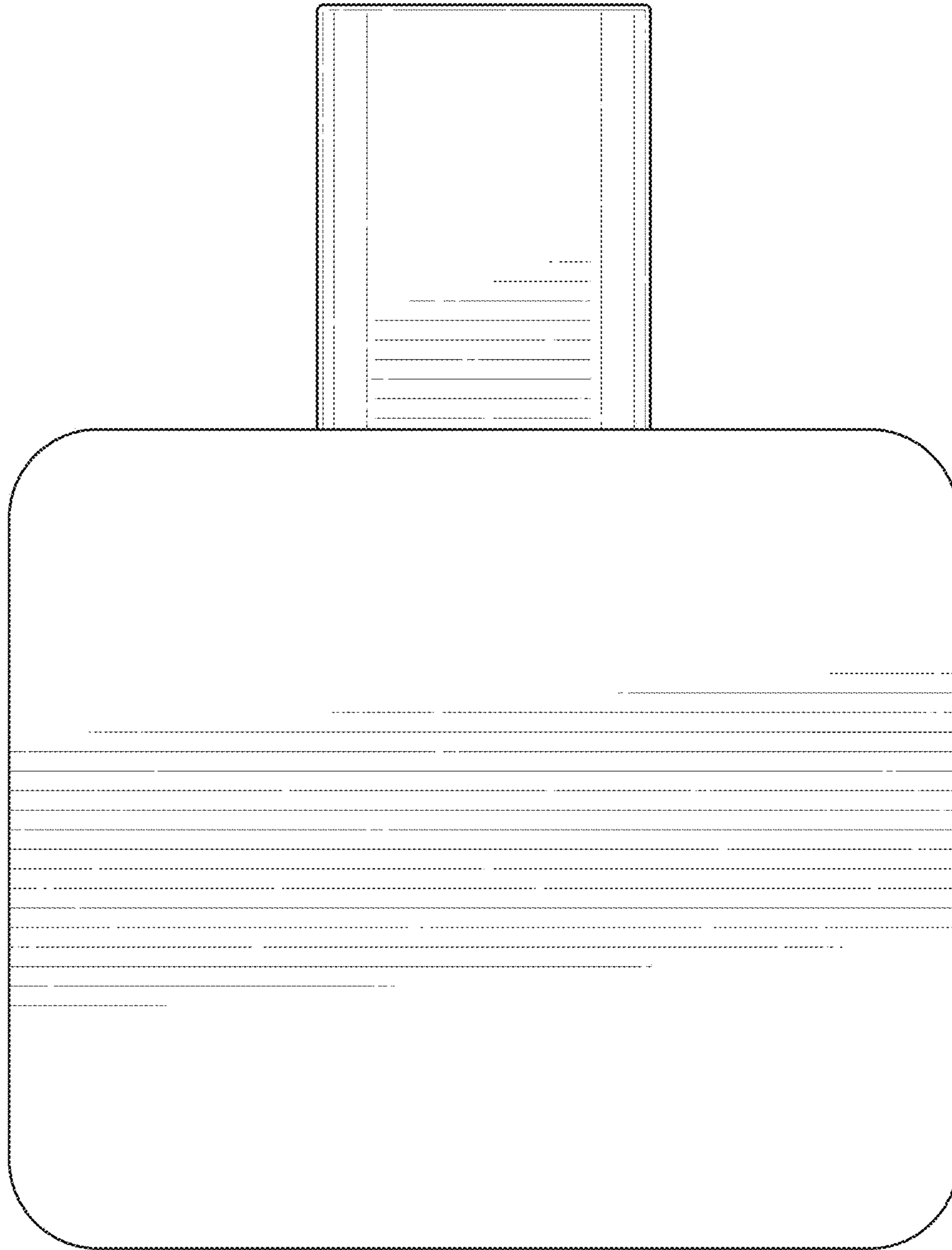


FIG. 3

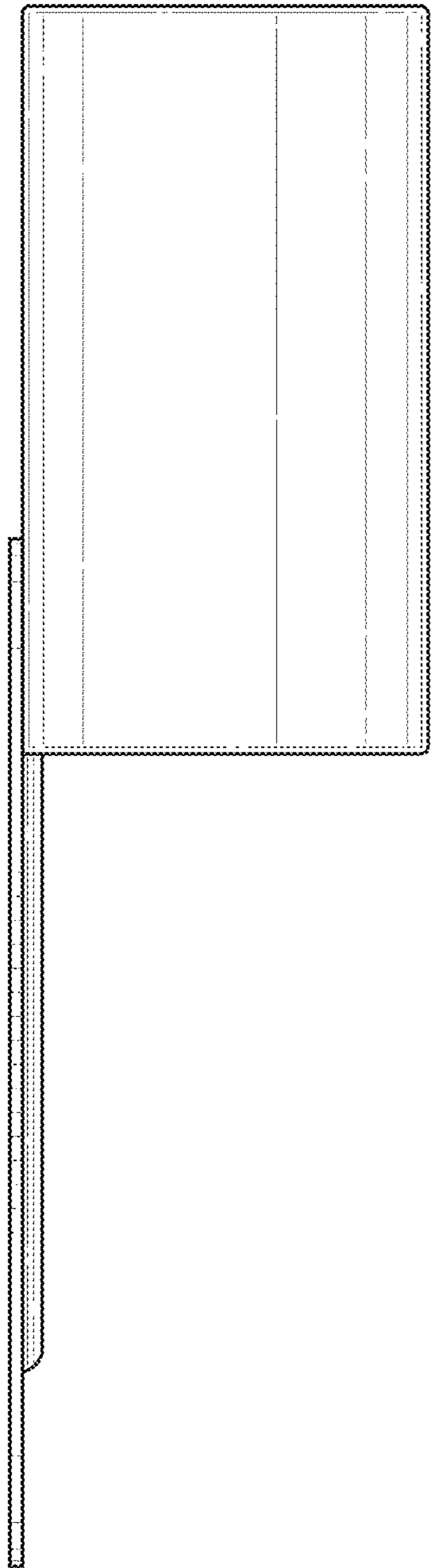


FIG. 4

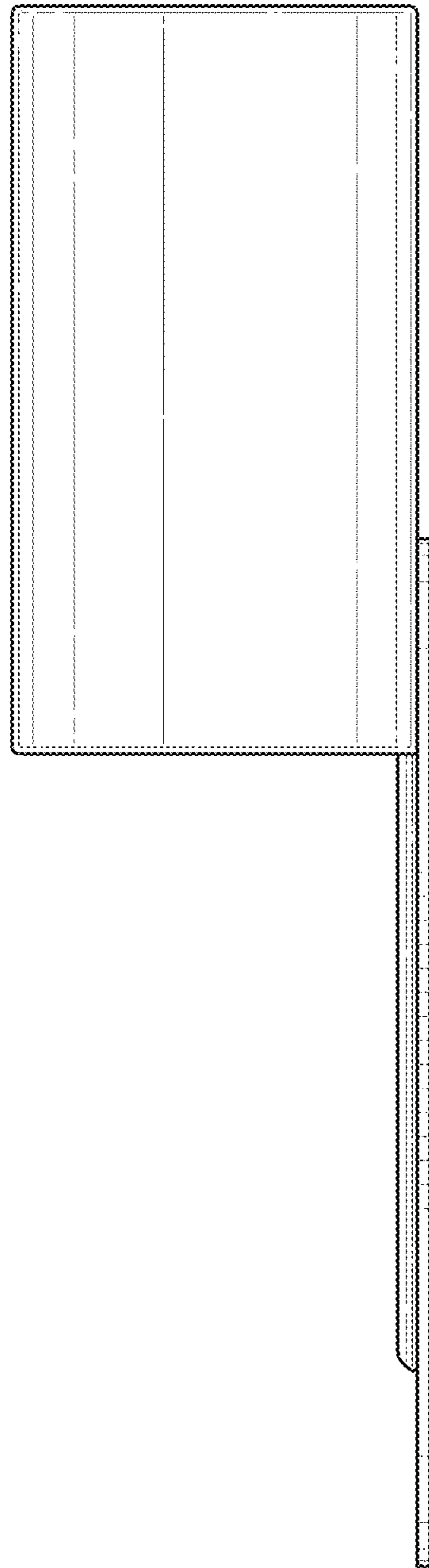


FIG. 5

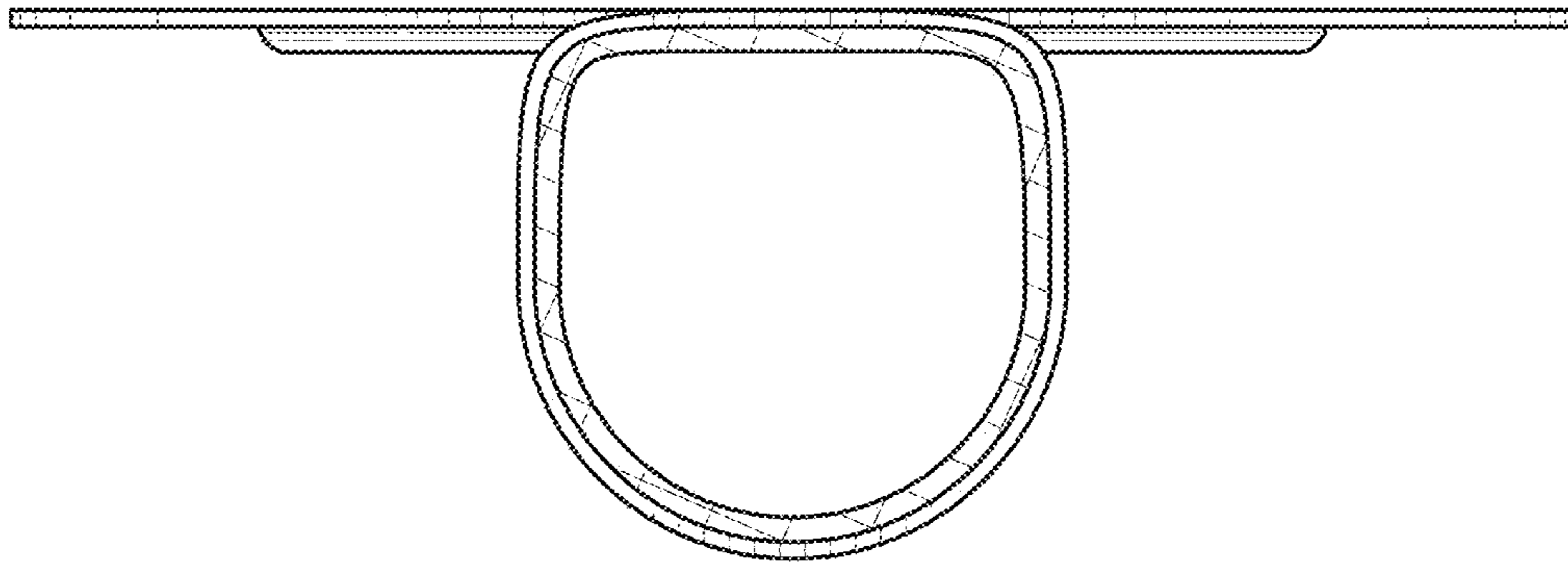


FIG. 6

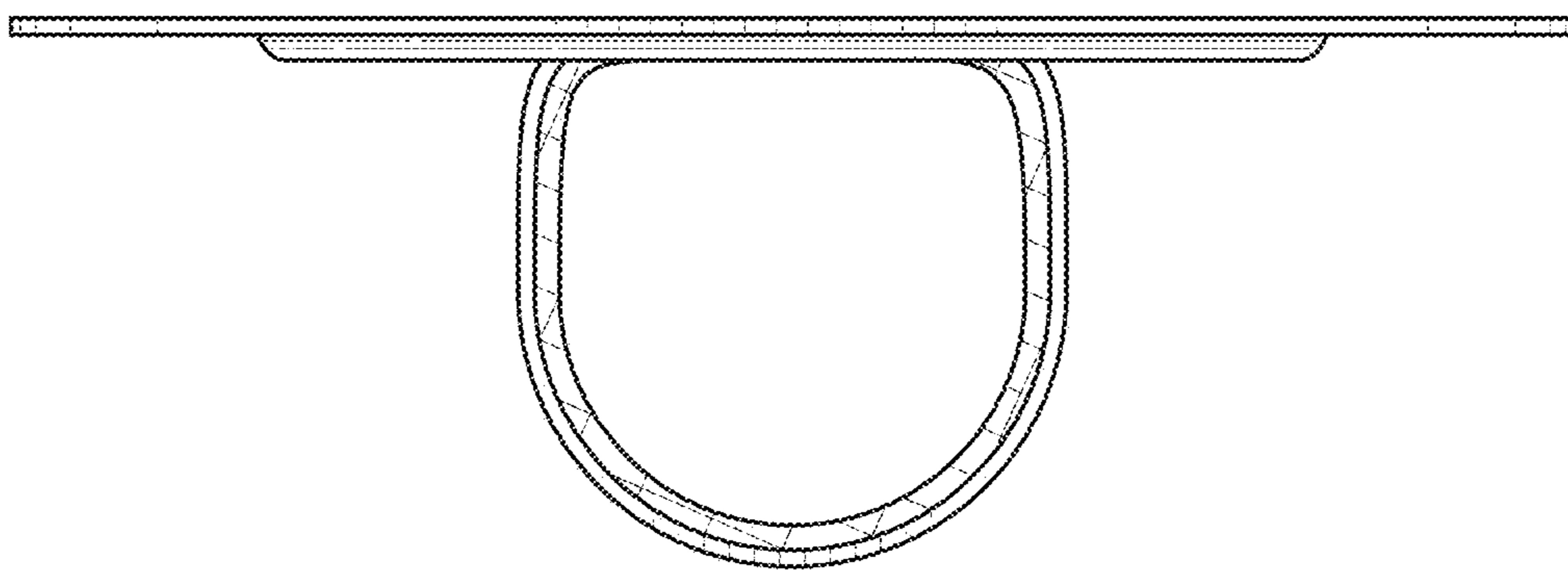


FIG. 7