



US00D883492S

(12) **United States Design Patent** (10) **Patent No.:** **US D883,492 S**
Cannon et al. (45) **Date of Patent:** **** May 5, 2020**

(54) **COMPOSITE DELIVERY SYSTEM**

D409,305 S	5/1999	Martin	
6,319,002 B1 *	11/2001	Pond	A61C 5/62 433/89
7,261,559 B2	8/2007	Smith	
D698,918 S	2/2014	Leiner	
8,834,158 B2	9/2014	Leiner	
D776,261 S	1/2017	Jones	
9,668,826 B2	6/2017	Claypool	
D820,985 S	6/2018	McLean	
2003/0190580 A1	10/2003	Khachatourian	
2016/0324608 A1	11/2016	Frymark et al.	

(71) Applicant: **Ultradent Products, Inc.**, South Jordan, UT (US)

(72) Inventors: **Wade Cannon**, Orem, UT (US); **Bruce S. McLean**, Sandy, UT (US); **Dan E. Fischer**, Sandy, UT (US)

(73) Assignee: **Ultradent Products, Inc.**, South Jordan, UT (US)

(**) Term: **15 Years**

(21) Appl. No.: **29/643,486**

(22) Filed: **Apr. 9, 2018**

Related U.S. Application Data

(60) Division of application No. 29/563,610, filed on May 6, 2016, now Pat. No. Des. 820,985, which is a continuation of application No. 13/231,717, filed on Sep. 13, 2011, now abandoned.

(51) **LOC (12) Cl.** **24-02**

(52) **U.S. Cl.**
USPC **D24/176; D24/152**

(58) **Field of Classification Search**
USPC D24/152, 176, 112-114, 127; 433/89-90
CPC A61C 5/62; A61C 5/66; A61C 5/68; B05C 17/00593; B05C 17/00; B05C 17/005
See application file for complete search history.

(56) **References Cited**

U.S. PATENT DOCUMENTS

5,387,103 A *	2/1995	Fischer	A61C 5/62 222/575
5,603,701 A *	2/1997	Fischer	A61C 5/62 222/390

* cited by examiner

Primary Examiner — Wan Laymon

(74) *Attorney, Agent, or Firm* — Maschoff Brennan

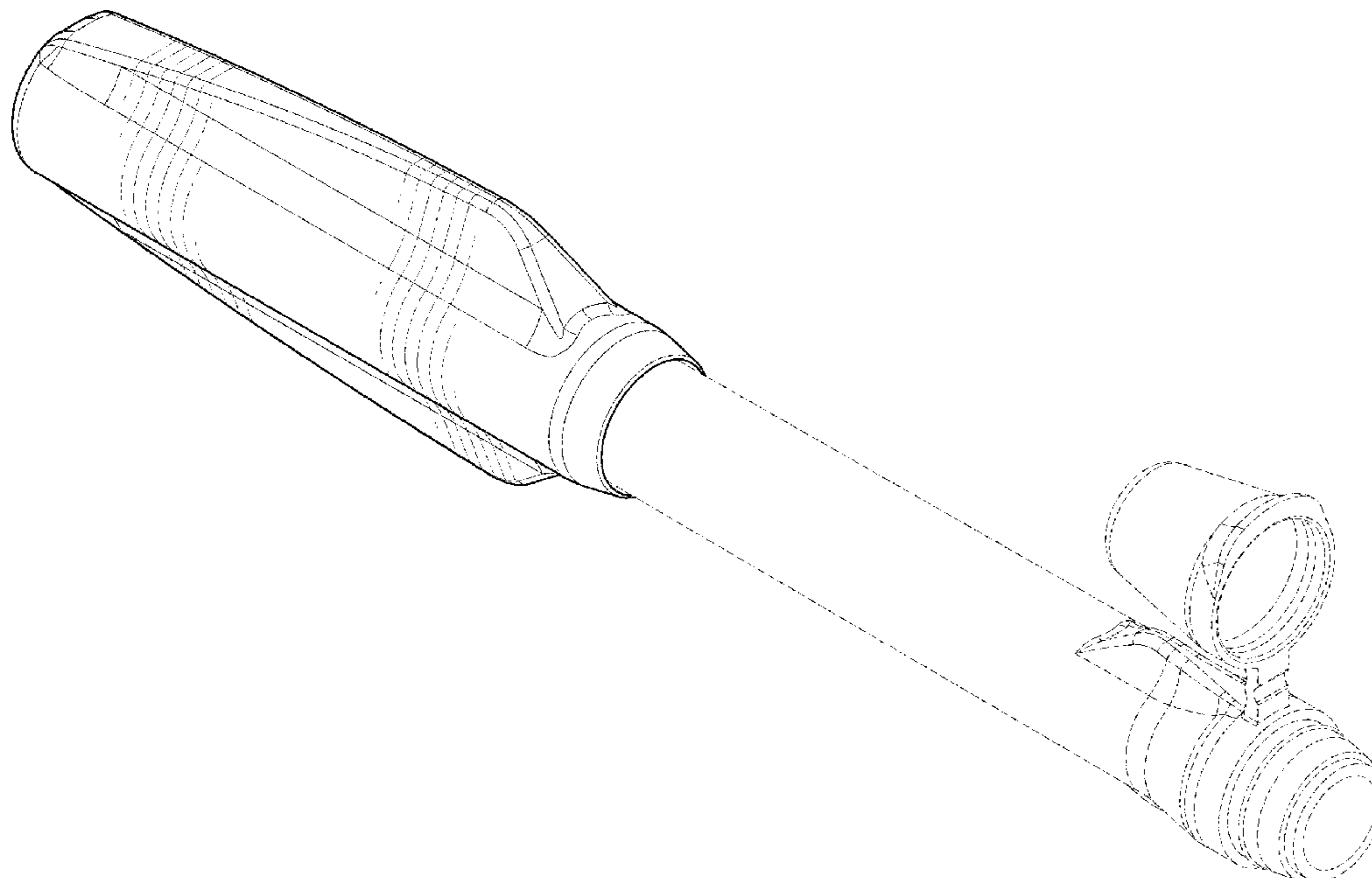
(57) **CLAIM**

The ornamental design for a composite delivery system, as shown and described.

DESCRIPTION

FIG. 1 is an upper perspective view of an embodiment of a composite delivery system;
FIG. 2 is a left side view of the composite delivery system shown in FIG. 1;
FIG. 3 is a right side view of the composite delivery system shown in FIG. 1;
FIG. 4 is a front view of the composite delivery system shown in FIG. 1;
FIG. 5 is a rear view of the composite delivery system shown in FIG. 1;
FIG. 6 is a top view of the composite delivery system shown in FIG. 1; and,
FIG. 7 is a bottom view of the composite delivery system shown in FIG. 1.

1 Claim, 4 Drawing Sheets



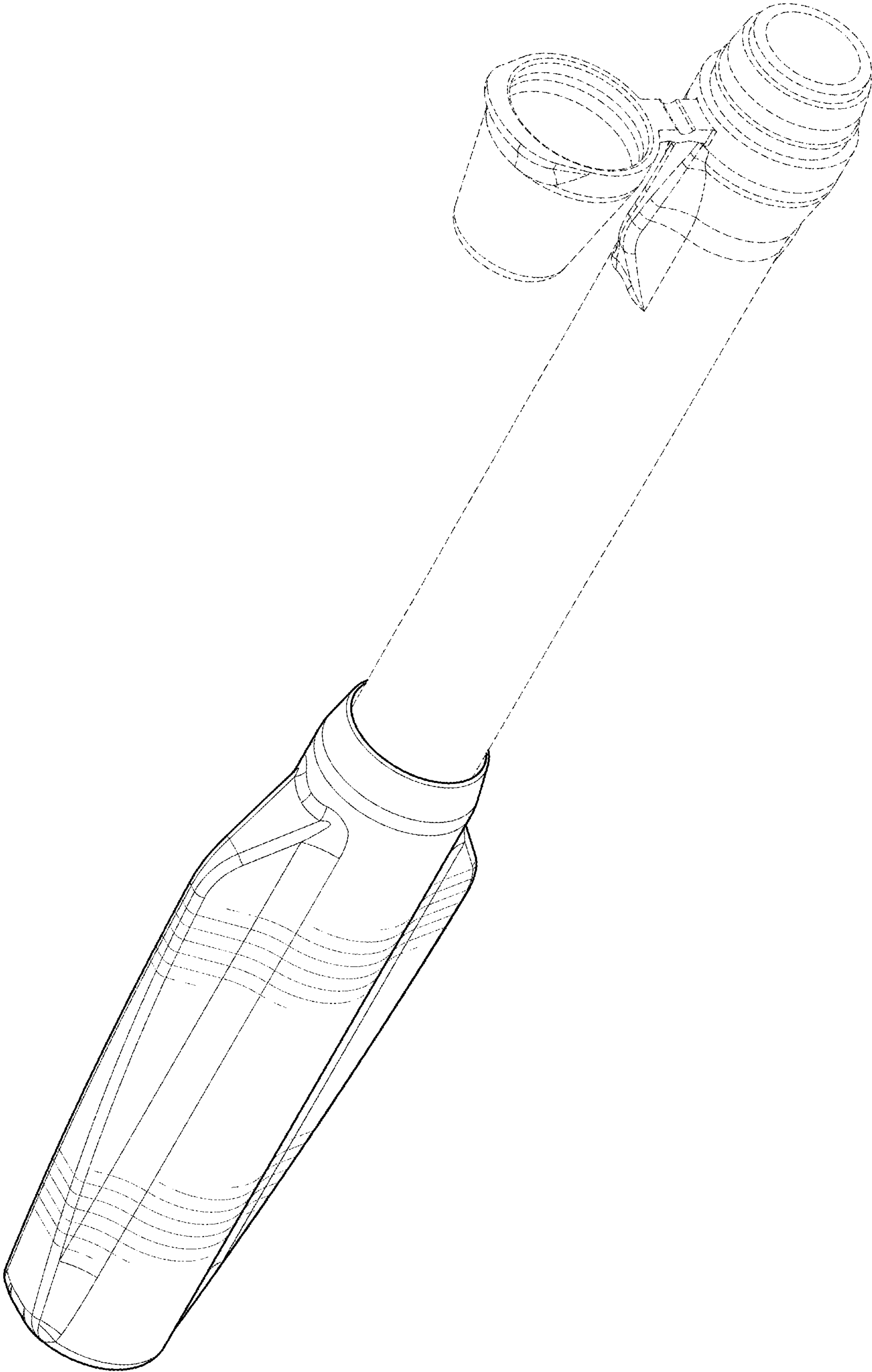


FIG. 1

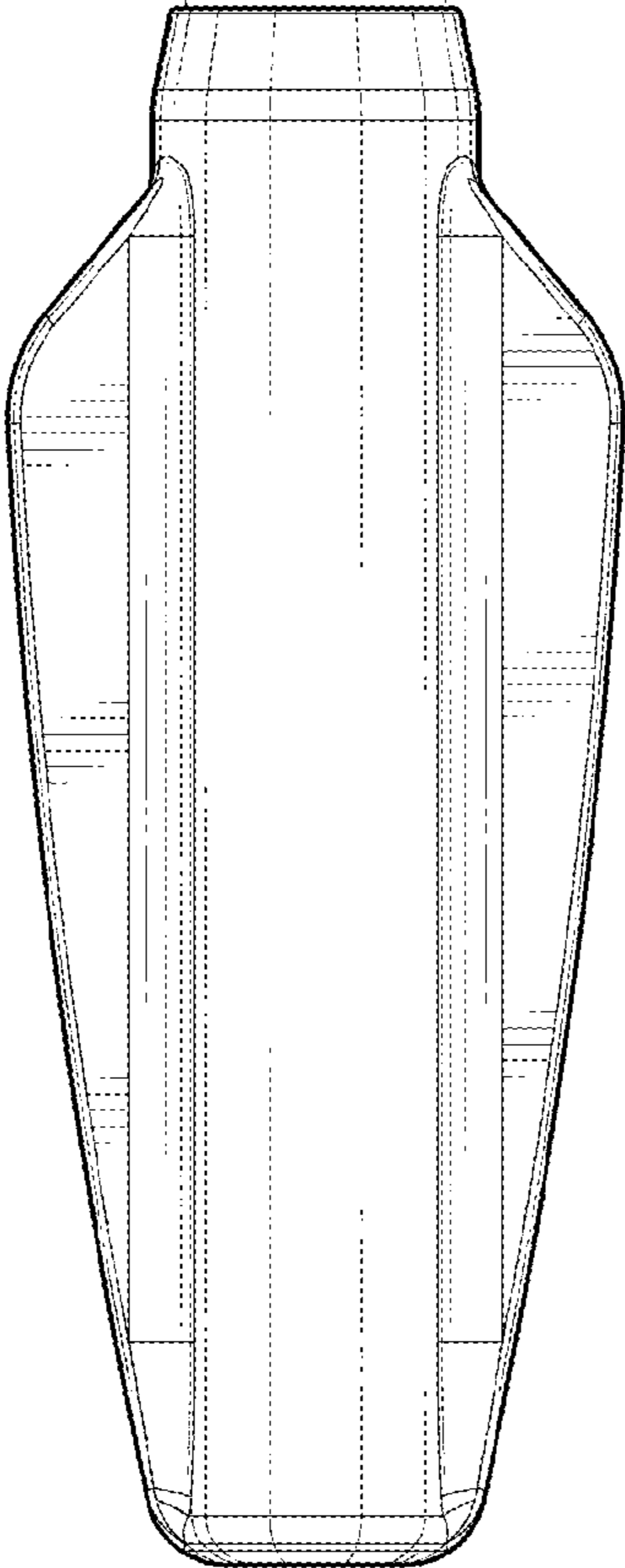
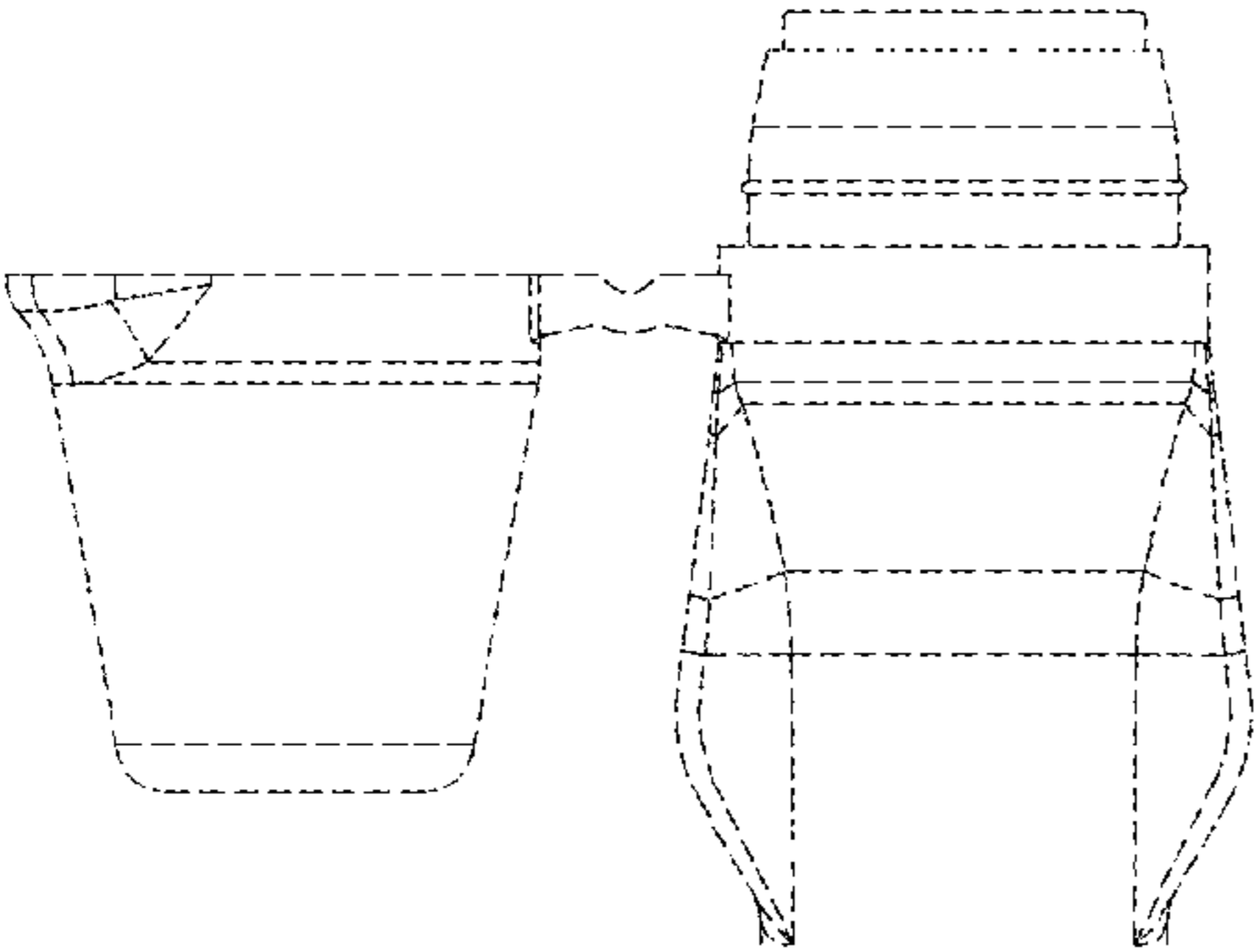


FIG. 2

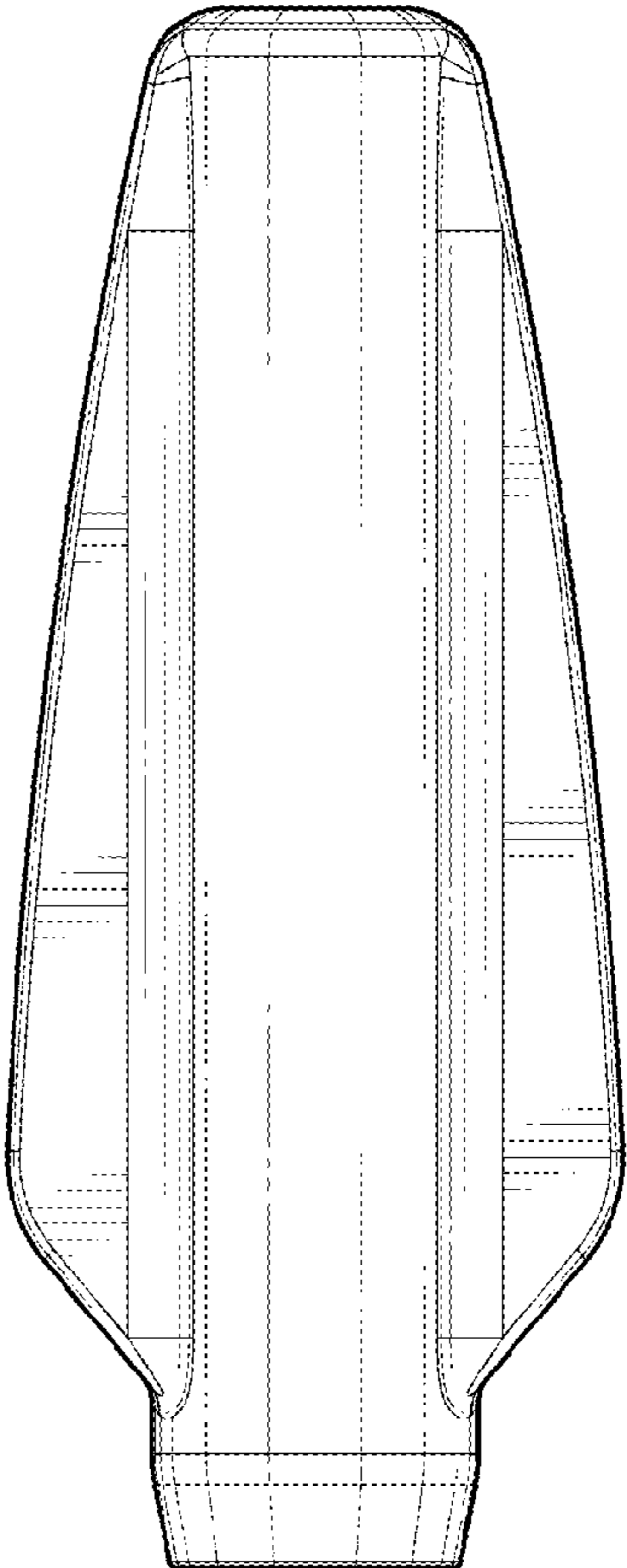
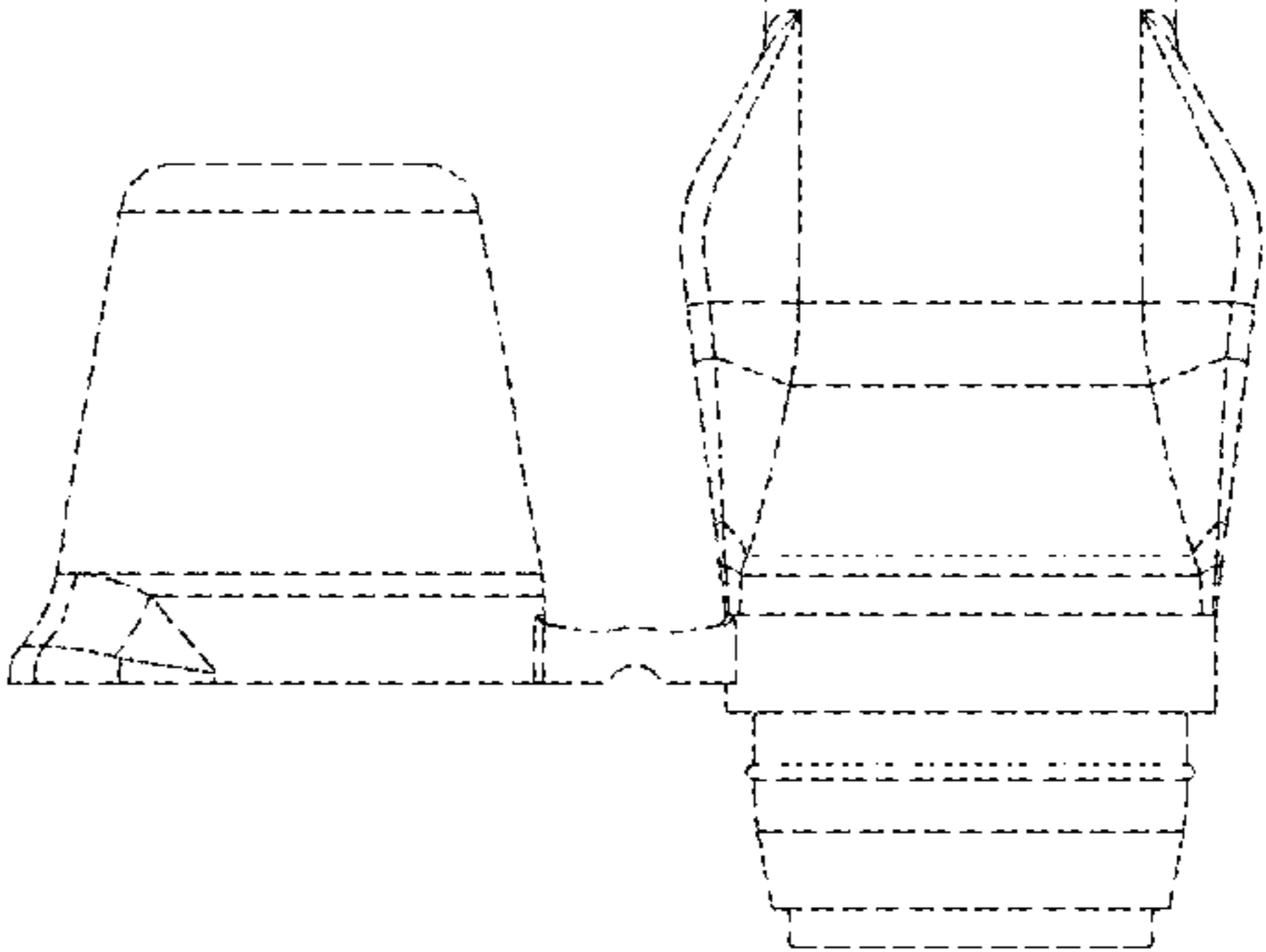


FIG. 3



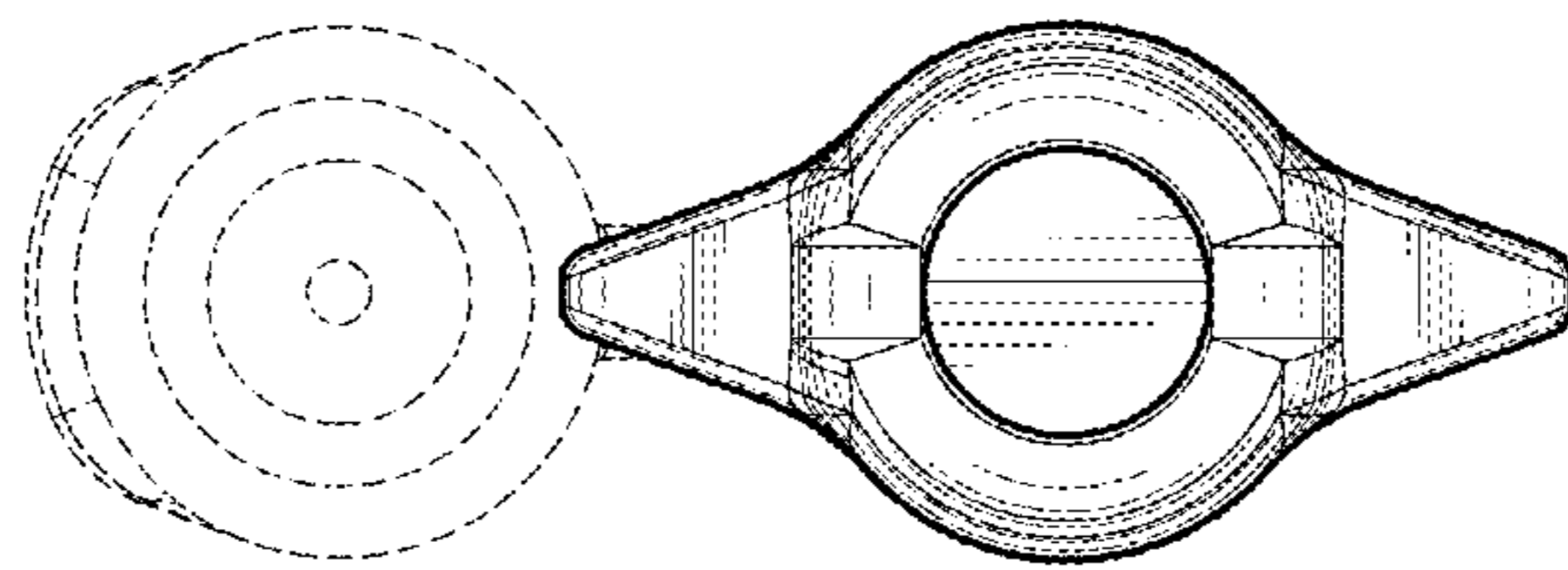


FIG. 5

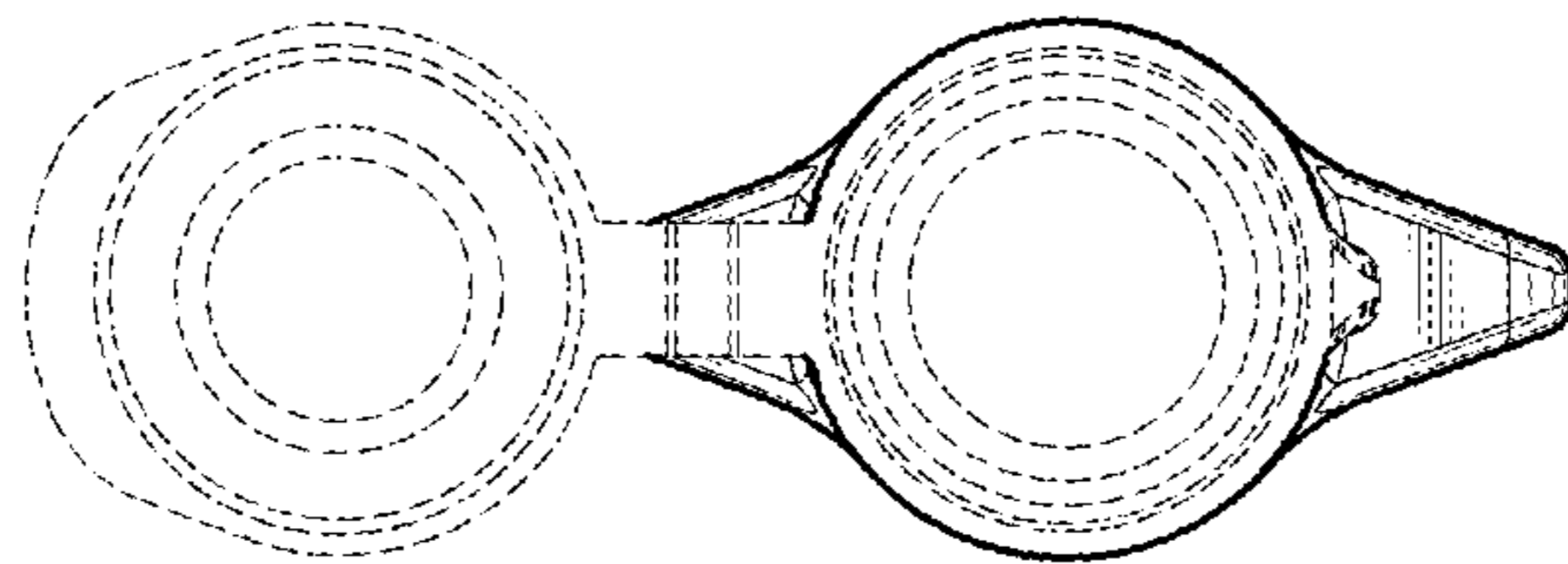


FIG. 4

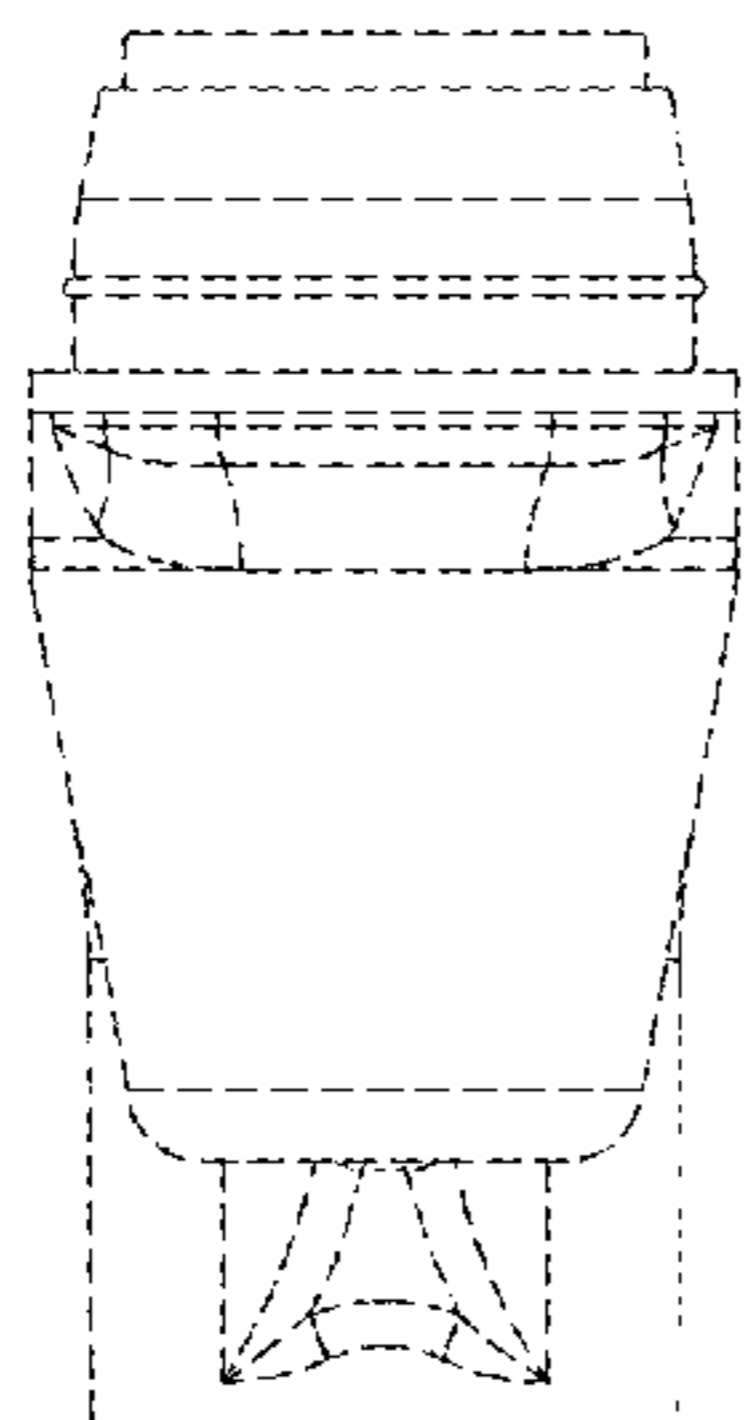


FIG. 6

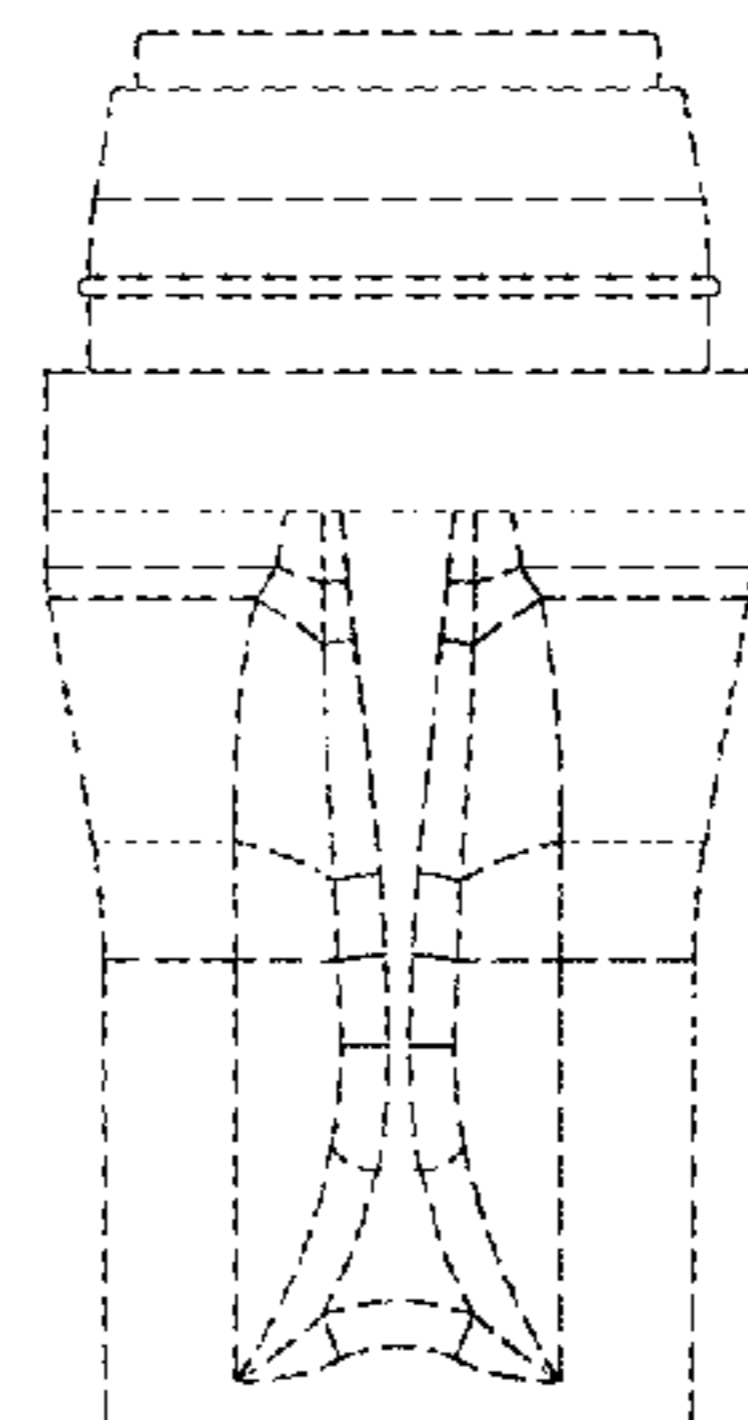
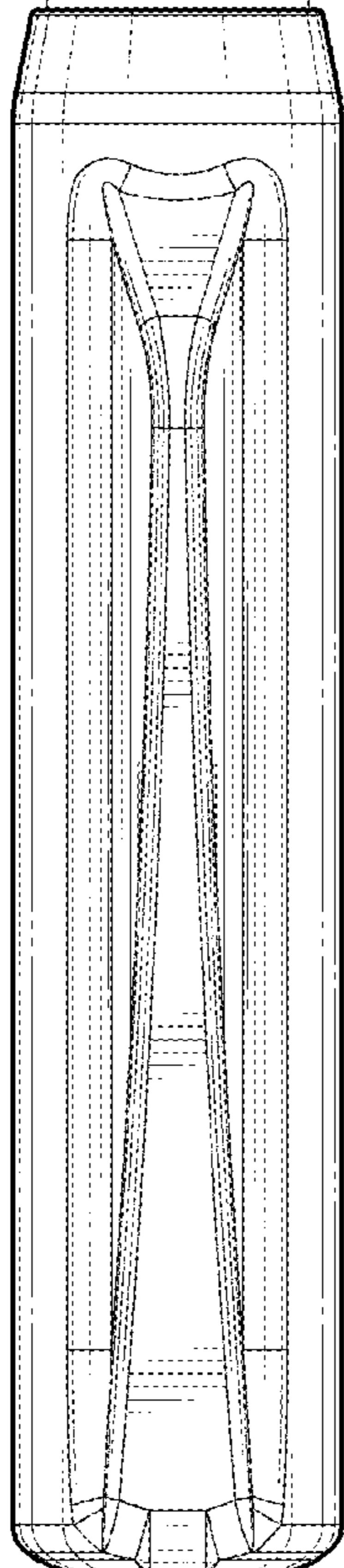


FIG. 7

