



US00D883491S

(12) **United States Design Patent**
Ponti

(10) **Patent No.:** **US D883,491 S**

(45) **Date of Patent:** **** May 5, 2020**

(54) **IN-EAR DEVICE**

2,487,038 A * 11/1949 Baum A61F 11/08
128/867

(71) Applicant: **SmartEar, Inc.**, San Francisco, CA
(US)

2,619,960 A 12/1952 Reynolds
2,678,973 A 5/1954 Newman
2,754,365 A 7/1956 Walters

(72) Inventor: **Andrea Ponti**, Kowloon (HK)

(Continued)

(73) Assignee: **SmartEar, Inc.**, San Francisco, CA
(US)

FOREIGN PATENT DOCUMENTS

(**) Term: **15 Years**

CN 304245512 * 8/2017
EM 002175885-0001 * 2/2013

(21) Appl. No.: **29/619,714**

(Continued)

(22) Filed: **Sep. 30, 2017**

OTHER PUBLICATIONS

(51) **LOC (12) Cl.** **24-99**

SmartEar, Anchor, published 2018 [online], [retrieved Apr. 8, 2019],
Available from Internet, URL: <<https://ifworlddesignguide.com/entry/235886-smartear-anchor>>.*

(52) **U.S. Cl.**

USPC **D24/174**; D14/223; D14/205

(Continued)

(58) **Field of Classification Search**

USPC D14/203.1, 204–206, 208–210, 212, 213,
D14/214–217, 219, 221–225, 249, 372,
D14/433, 138 R, 182, 188, 191–194, 172,
D14/496, 252, 253; D29/112; D2/875;
D24/173–175, 106; D3/294, 273;
D12/195, 192, 204; D13/108

CPC H04R 25/02; H04R 25/00; H04R 1/10;
H04R 1/1016; H04R 1/105; H04R
1/1083; H04R 1/02; H04R 1/1041; H04R
5/033; H04R 7/00; H04R 2420/07; H04R
2430/01; H04R 25/65; H04R 25/656;
H04R 25/658; H04R 27/00; H04R
2205/021; H04R 1/28; H04R 1/05; H04R
5/0335; A61F 11/00; A61F 11/06; A61F
11/08; A61F 11/12; A61F 11/14

See application file for complete search history.

Primary Examiner — T Chase Nelson

Assistant Examiner — Mary Claire Ramirez

(74) *Attorney, Agent, or Firm* — AWA Sweden AB;
Thomas L. Ewing

(57)

CLAIM

The ornamental design for an in-ear device, as shown and described.

DESCRIPTION

FIG. 1 is a front right side perspective view of an in-ear device showing our new design;
FIG. 2 is a front view thereof;
FIG. 3 is a right view thereof;
FIG. 4 is a left view thereof;
FIG. 5 is a bottom, left perspective view thereof;
FIG. 6 is a bottom plan view thereof; and,
FIG. 7 is a top plan view thereof.
The broken lines shown in the drawings depict portions of the in-ear device that form no part of the claimed design.

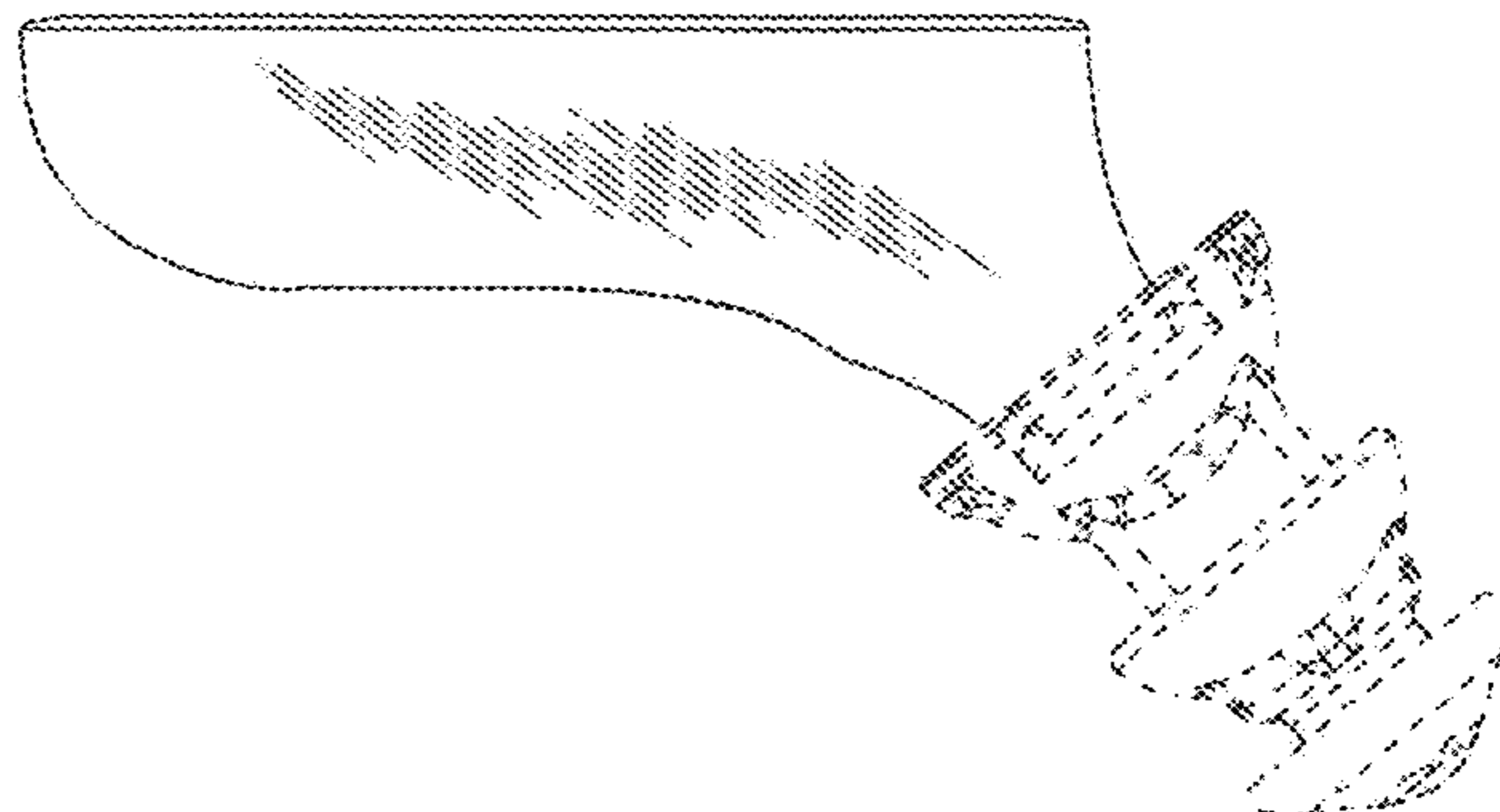
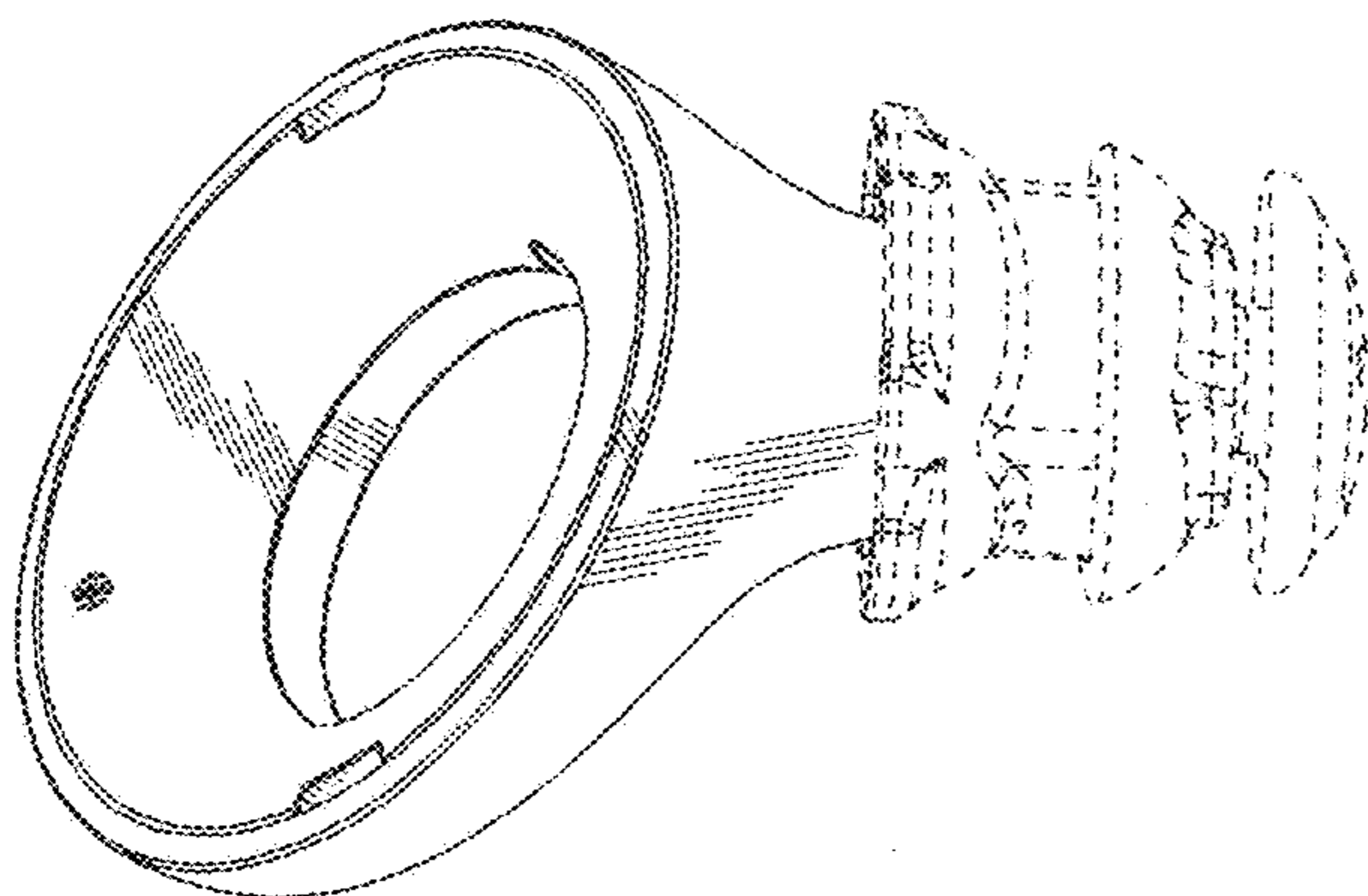
(56)

References Cited

U.S. PATENT DOCUMENTS

1,852,130 A 4/1932 Schier
1,893,143 A 1/1933 Henry
2,248,837 A 7/1941 Walters

1 Claim, 4 Drawing Sheets



(56)

References Cited

U.S. PATENT DOCUMENTS

2,971,065 A	2/1961	Busse		D676,954 S *	2/2013	Turdjian	A61F 11/08
2,984,726 A	5/1961	Roeser					D24/106
D195,322 S *	5/1963	Hill	D24/106	D678,849 S	3/2013	McCullar	
3,282,106 A	11/1966	Bowling		8,389,862 B2	3/2013	Arora	
D207,222 S	3/1967	Geib		D682,430 S	5/2013	Kasic	
D219,983 S	2/1971	Bosch		D691,140 S *	10/2013	Huang	D14/433
3,815,583 A	6/1974	Scheidt		D693,796 S	11/2013	Birger	
D239,416 S *	3/1976	Visor	D24/106	D698,026 S	1/2014	Kuwata	
3,983,336 A	9/1976	Malek		8,634,918 B2	1/2014	Chambers	
4,069,400 A	1/1978	Johanson		D705,751 S	5/2014	Wenger	
4,133,984 A	1/1979	Akiyama		D705,760 S	5/2014	Orambarean	
4,359,708 A	11/1982	Jarosz		8,798,298 B1	8/2014	Burns	
4,539,708 A	9/1985	Norris		D715,272 S *	10/2014	Burton	D14/223
4,550,227 A	10/1985	Topholm		8,855,345 B2	10/2014	Shennib	
D287,280 S *	12/1986	Topholm	D24/174	D717,443 S	11/2014	Hughes	
D287,764 S	1/1987	Topholm		D719,139 S	12/2014	Henry	
D287,765 S	1/1987	Topholm		D725,082 S	3/2015	Palmborg	
D300,528 S	4/1989	Drane		8,983,108 B2	3/2015	Ho	
5,159,936 A	11/1992	Yelderman		D726,165 S	4/2015	Kawaji	
5,167,235 A	12/1992	Seacord		D726,567 S	4/2015	De Jong	
D335,349 S	5/1993	Lyon		D733,102 S	6/2015	Palmborg	
D373,183 S *	8/1996	Beyer	D23/355	9,078,070 B2	7/2015	Samuels	
D374,658 S	10/1996	Bever		D739,851 S	9/2015	Donohue	
D377,337 S	1/1997	Schaeffer		D744,110 S	11/2015	Kubo	
5,626,139 A	5/1997	Szeles		D746,058 S *	12/2015	Serell	D3/203.1
5,654,530 A	8/1997	Sauer		9,198,800 B2 *	12/2015	Killion	H04R 1/1041
5,812,680 A	9/1998	Glendon		D746,792 S	1/2016	Kim	
5,921,395 A *	7/1999	Alexander	B65D 83/0454 206/1.5	D747,606 S *	1/2016	Serell	D3/203.2
D422,749 S	4/2000	Binstock		9,271,091 B2	2/2016	Zurbrugg	
D435,580 S	12/2000	Grinkus		9,456,285 B2	9/2016	Bymaster	
D435,641 S *	12/2000	Clement	D23/366	D770,426 S	11/2016	LaBerge	
D435,645 S *	12/2000	Westerdal	D24/106	D773,437 S	12/2016	Lee	
D452,151 S *	12/2001	Scott	D3/203.4	D776,281 S	1/2017	Fyrlund	
6,358,281 B1	3/2002	Berrang		D777,710 S	1/2017	Palmborg	
D455,405 S	4/2002	Bonn		9,571,913 B2	2/2017	Masaki	
D464,630 S	10/2002	Woodworth		D781,269 S	3/2017	Choe	
D468,301 S *	1/2003	Fushimi	D14/223	D782,445 S *	3/2017	Ahn	D14/216
D469,411 S	1/2003	Oecosse		D788,906 S *	6/2017	Dittrich	D24/106
D475,996 S	6/2003	Skulley		D794,611 S	8/2017	Valenzuela	
D481,709 S	11/2003	Solderits		D795,224 S	8/2017	Valenzuela	
6,648,914 B2	11/2003	Berrang		D798,843 S *	10/2017	Valenzuela	D14/223
D483,281 S	12/2003	Cobigo		D813,873 S *	3/2018	Pathak	D14/433
D506,989 S	7/2005	Seil		10,045,130 B2 *	8/2018	Masaki	H04L 67/306
D519,985 S	5/2006	Wikel		D834,302 S *	11/2018	Paz	D3/203.1
D521,983 S *	5/2006	Kuo	D14/216	D834,303 S *	11/2018	Paz	D3/203.1
D526,990 S	8/2006	Slevin		D835,259 S *	12/2018	Heikkila	D24/106
D529,175 S	9/2006	Franz		D838,695 S *	1/2019	Yang	D14/230
7,120,267 B2	10/2006	Ito		D843,353 S *	3/2019	Zhang	D14/223
D532,520 S	11/2006	Kampmeier		D843,967 S *	3/2019	Paterson	D14/205
D535,644 S *	1/2007	Drambarean	D14/223	D847,778 S *	5/2019	Hardi	D14/205
D536,692 S	2/2007	Alwicker		D852,783 S *	7/2019	Huebe	D14/223
D537,438 S	2/2007	Hermansen		D856,289 S *	8/2019	Bould	D13/168
D555,146 S	11/2007	Sandy		D856,316 S *	8/2019	Yang	D14/230
D560,792 S *	1/2008	Miller	A61F 11/08 D24/106	D857,670 S *	8/2019	Yang	D14/230
D567,230 S *	4/2008	Seto	D14/223	10,410,634 B2 *	9/2019	Masaki	H04R 1/08
D568,290 S	5/2008	Wikel		D872,062 S *	1/2020	Cui	D14/223
D589,152 S	3/2009	Champkins		D873,248 S *	1/2020	Weicheng	D14/223
D589,933 S *	4/2009	Zeiss	D14/205	D873,795 S *	1/2020	Susterman	D14/216
D596,295 S	7/2009	Hedstrom		D873,796 S *	1/2020	Tan	D14/216
D601,548 S	10/2009	Morisawa		D875,068 S *	2/2020	Nagamine	D14/205
D603,380 S	11/2009	Hutchieson		10,582,285 B2 *	3/2020	Valenzuela	H04R 1/1058
D609,000 S	2/2010	Portney		2002/0181336 A1	12/2002	Shields	
D628,565 S	12/2010	Wu		2003/0027606 A1	2/2003	Tsai	
D632,677 S	2/2011	Brown		2003/0172938 A1 *	9/2003	Falco	A61F 11/08 128/864
D635,676 S	4/2011	Voix		2004/0224717 A1	11/2004	Hertzberg	
D643,833 S	8/2011	Lee		2004/0243204 A1	12/2004	Maghribi	
D655,277 S	3/2012	Wai		2006/0045304 A1	3/2006	Lee	
D663,113 S *	7/2012	Simms	D3/203.3	2006/0098833 A1	5/2006	Juneau	
D666,581 S	9/2012	Perez		2007/0154030 A1	7/2007	Moses	
8,275,166 B2	9/2012	Wu		2007/0154049 A1	7/2007	Levitsky	
D670,391 S	11/2012	Goodman		2008/0063231 A1	3/2008	Juneau	
D673,497 S	1/2013	Rosenzweig		2008/0253583 A1 *	10/2008	Goldstein	H04R 29/00 381/92
D674,904 S	1/2013	Aunio		2009/0143096 A1	6/2009	Chang	
				2010/0002402 A1	1/2010	Rogers	
				2011/0002498 A1	1/2011	Wong	
				2011/0223864 A1 *	9/2011	Wai	H04R 25/656 455/41.3

(56)

References Cited

OTHER PUBLICATIONS

U.S. PATENT DOCUMENTS

2011/0224493	A1	9/2011	Oyadiran	
2012/0114160	A1	5/2012	Lin	
2012/0300965	A1	11/2012	Samuels	
2012/0318605	A1*	12/2012	Brown A61F 11/08 181/126
2013/0142363	A1	6/2013	Amento	
2013/0339025	A1	12/2013	Suhami	
2014/0112520	A1	4/2014	Knudsen	
2014/0169599	A1	6/2014	Solum	
2014/0172042	A1	6/2014	Goorevich	
2014/0301561	A1	10/2014	Silberman	
2014/0303452	A1	10/2014	Ghaffari	
2015/0183167	A1	7/2015	Molinari	
2015/0230022	A1	8/2015	Sakai	
2015/0256941	A1	9/2015	Bymaster	
2015/0261298	A1	9/2015	Li	
2016/0049074	A1	2/2016	Shennib	
2016/0057550	A1	2/2016	Shennib	
2016/0162256	A1	6/2016	Komaromi	
2016/0192050	A1	6/2016	Masaki	
2016/0206000	A1	7/2016	Lord	

FOREIGN PATENT DOCUMENTS

WO	WO D077393-001	*	7/2012
WO	WO2014/138735	A1	9/2014

Diga, Koma and Torus, published Aug. 13, 2016 [online], [retrieved Apr. 8, 2019], Available from Internet, URL: <<https://www.prodeez.com/single-post/2016/08/13/Tea-infusers-by-Andrea-Ponti-for-Ommo?epik=0XpZmEvlWH099>>.*

International Search Report for PCT/US15/57998, and International Written Opinion for PCT/US15/57988, dated Apr. 29, 2016, 15 pages.

“Wireless Headphones | Koss Striva Tap Wi-Fi Earbuds” by Mila Pantovich Jun. 8, 2012, JustLuxe, pp. 1-3, <http://www.justluxe.com/lifestyle/electronics/feature-1780526.php> (retrieved Apr. 16, 2017).

“Here Active Listening earbuds: Augmented reality for your ears (hands-on)” by Will Shanklin, Jan. 13, 2016, pp. 1-4, <http://newatlas.com/doppler-labs-here-earbuds-hands-on/41322/> (retrieved Apr. 16, 2017).

Nap Zapper Anti-Sleep Alarm, Amazon, pp. 1-6, <https://www.amazon.com/Generic-Nap-Zapper-Anti-Sleep-Alarm/dp/B000BK4KW8> (retrieved Apr. 16, 2017).

* cited by examiner

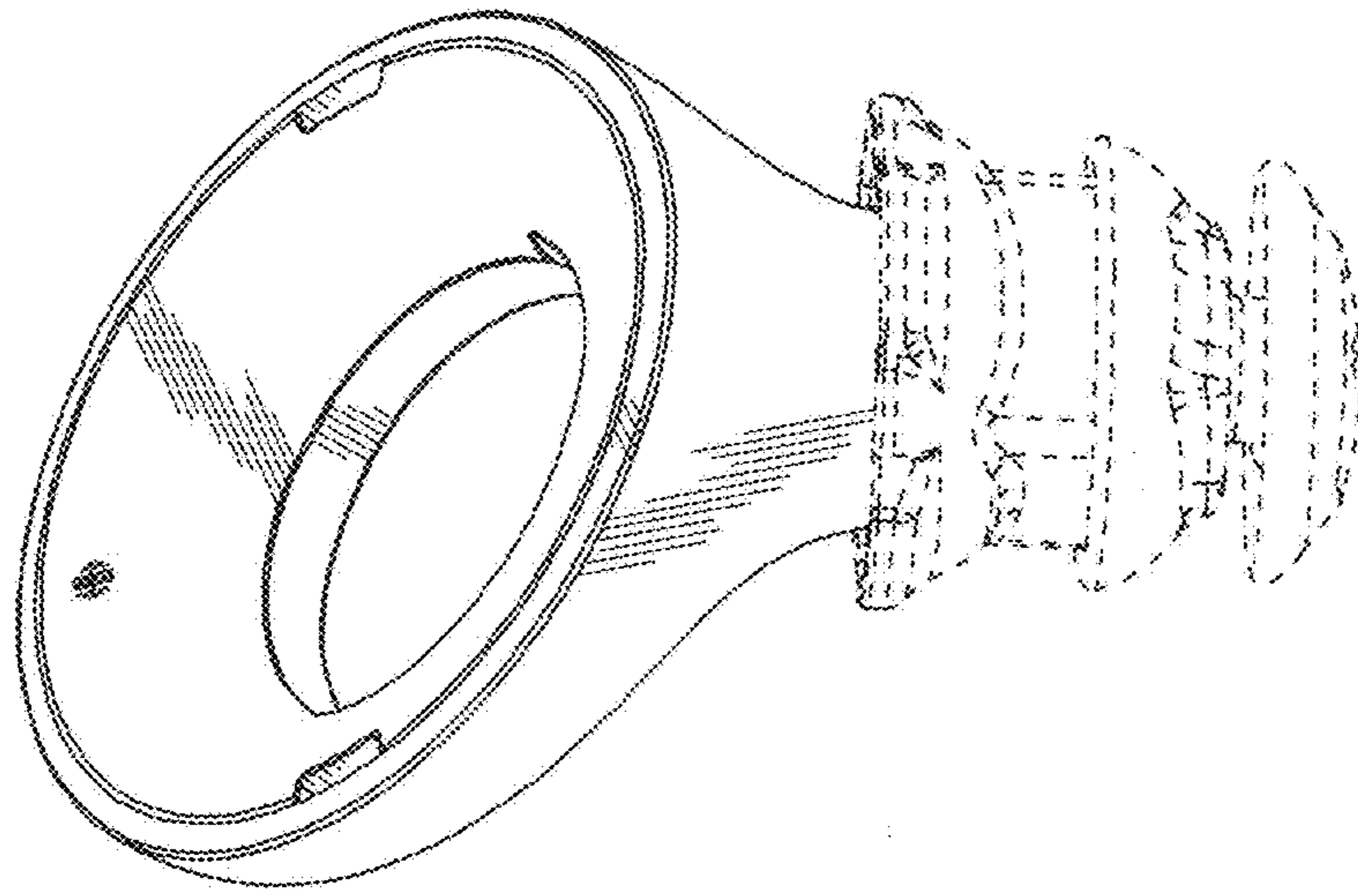


FIG. 1

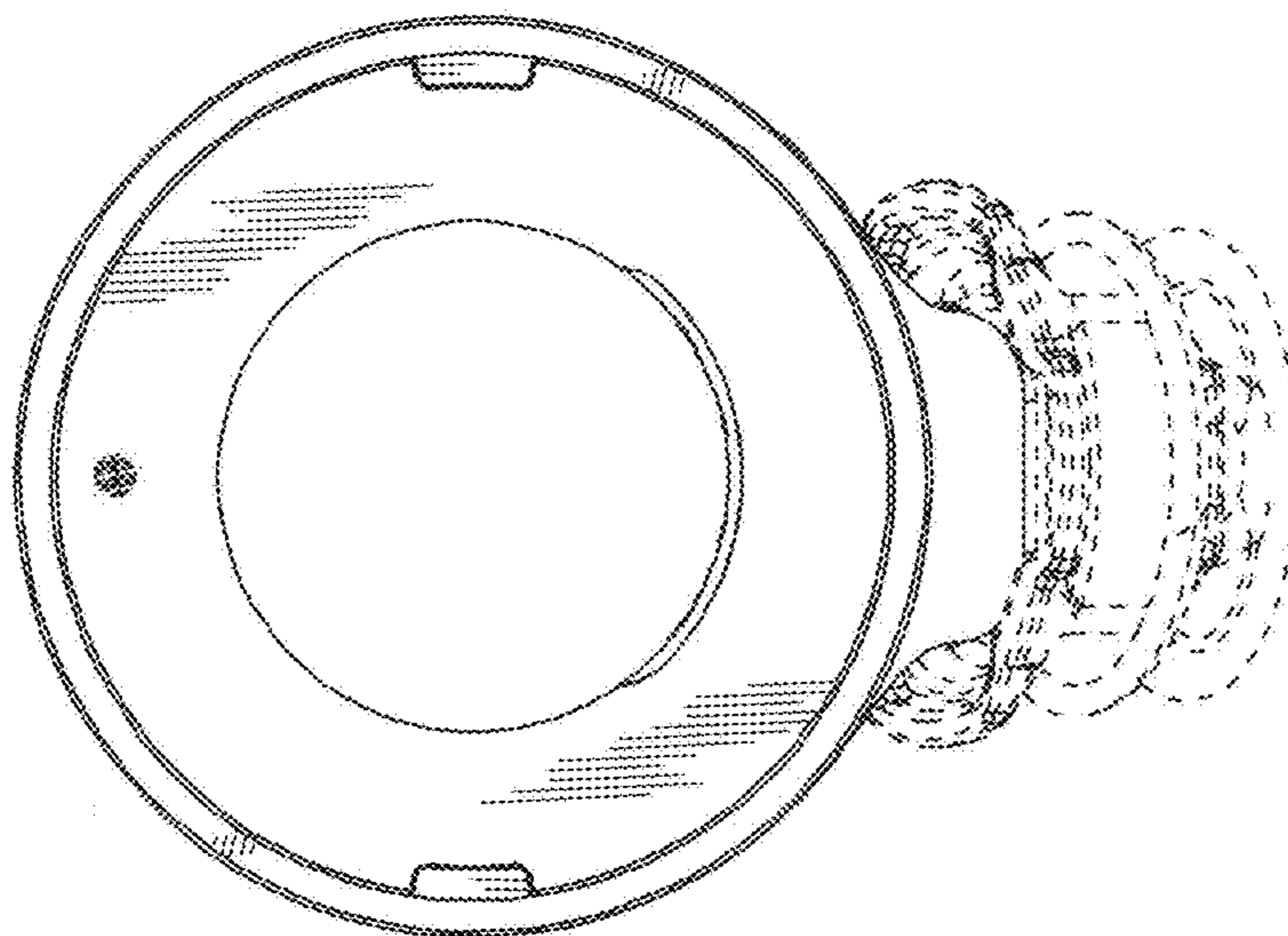


FIG. 2

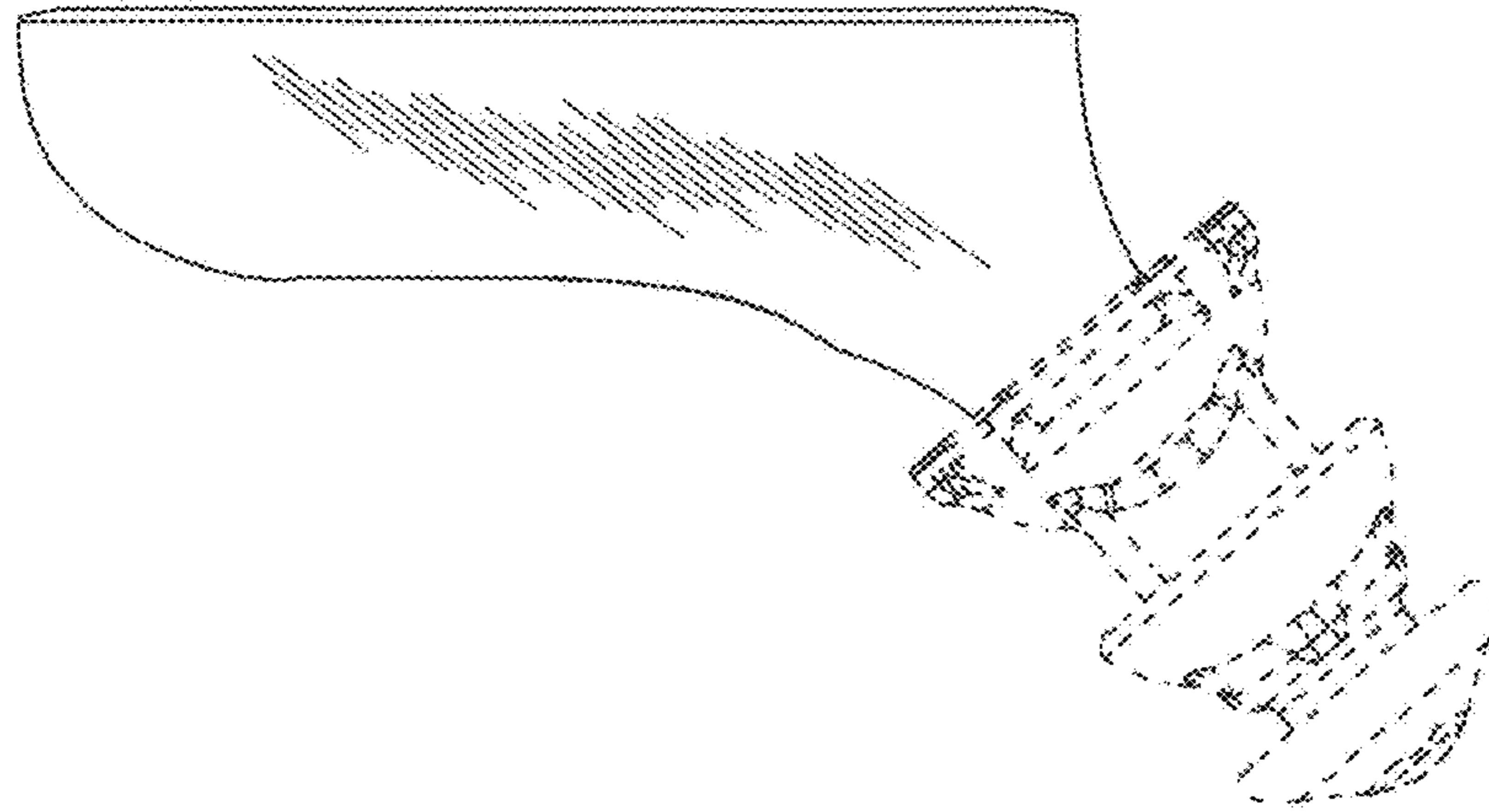


FIG. 3

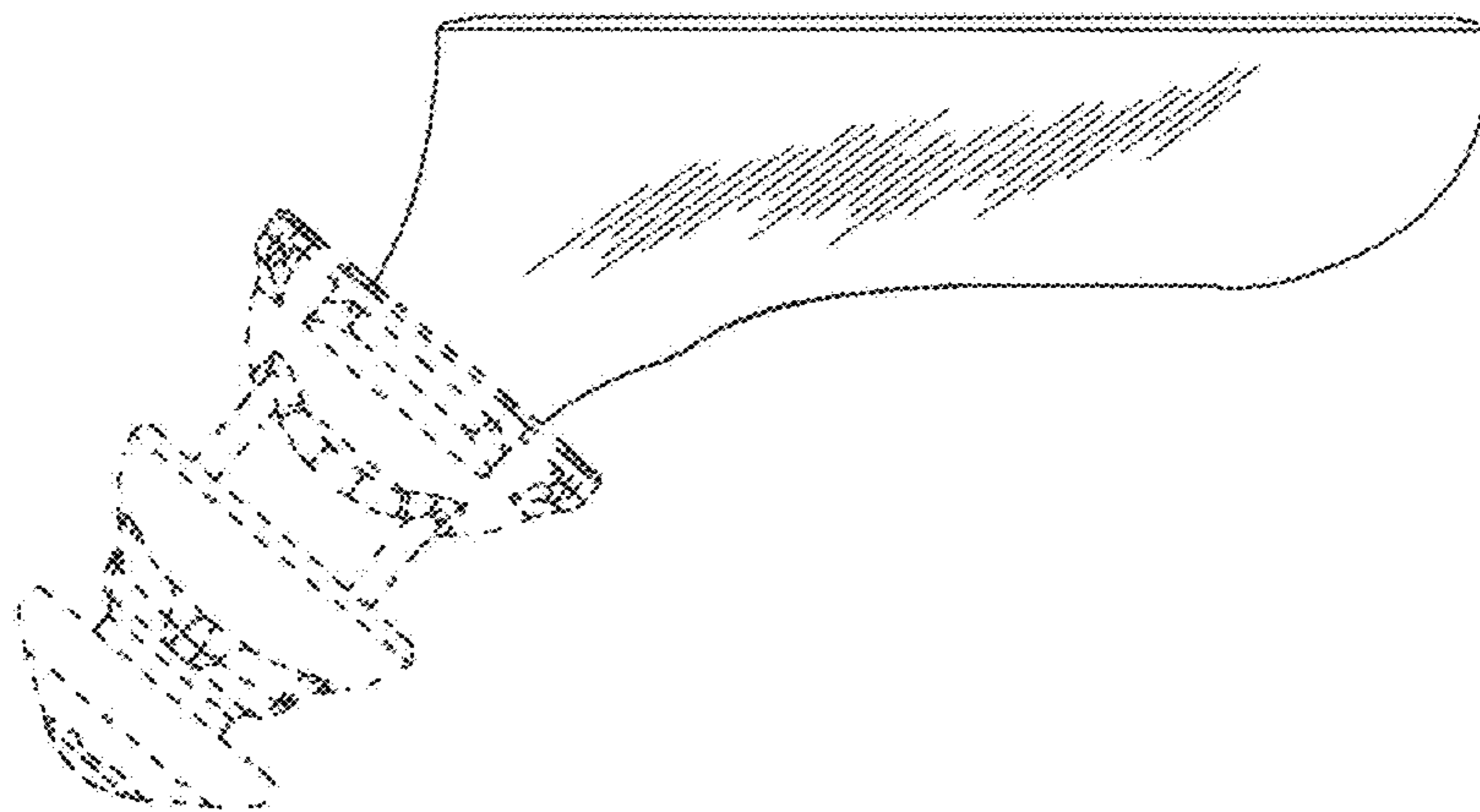


FIG. 4

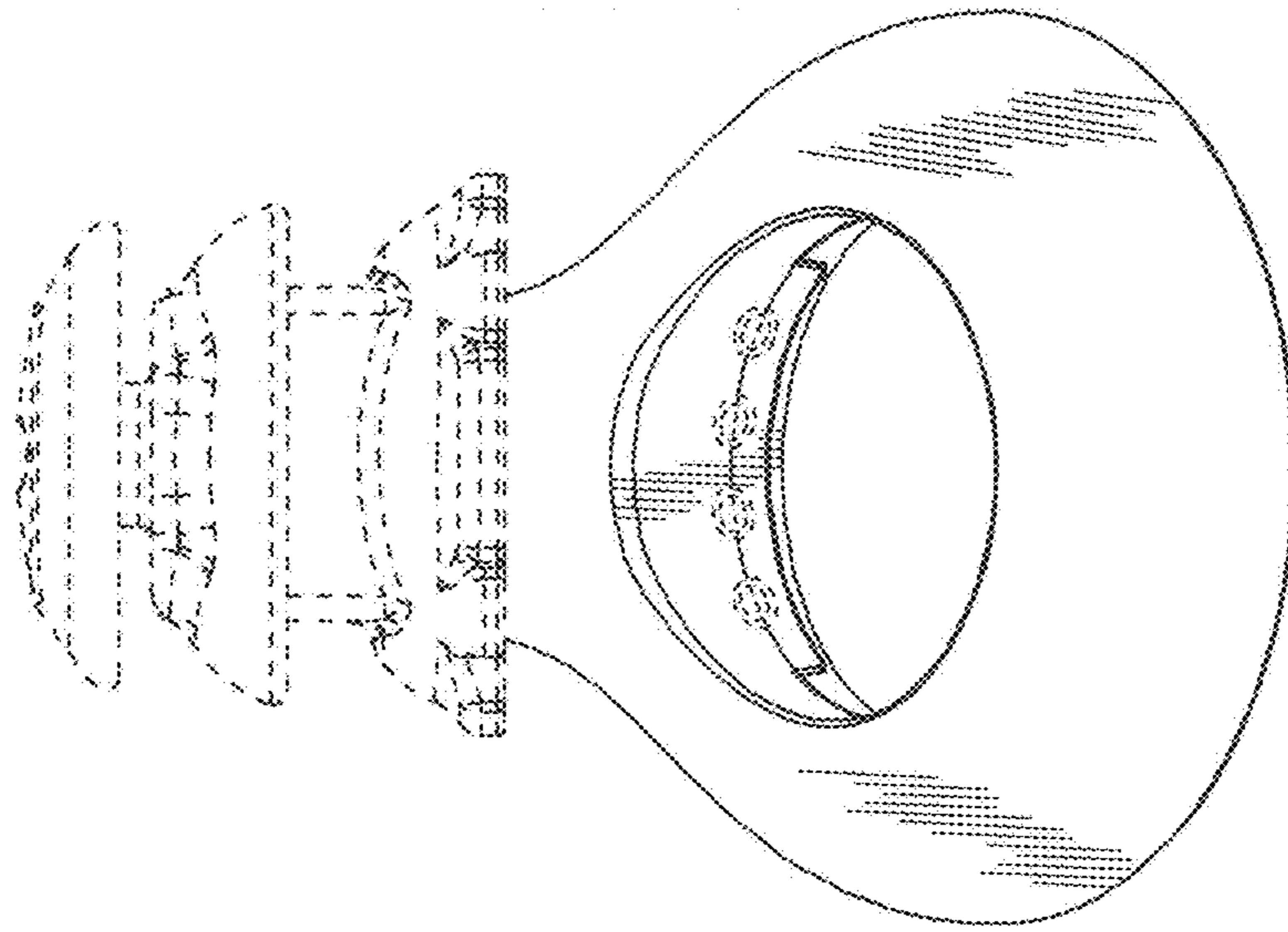


FIG. 5

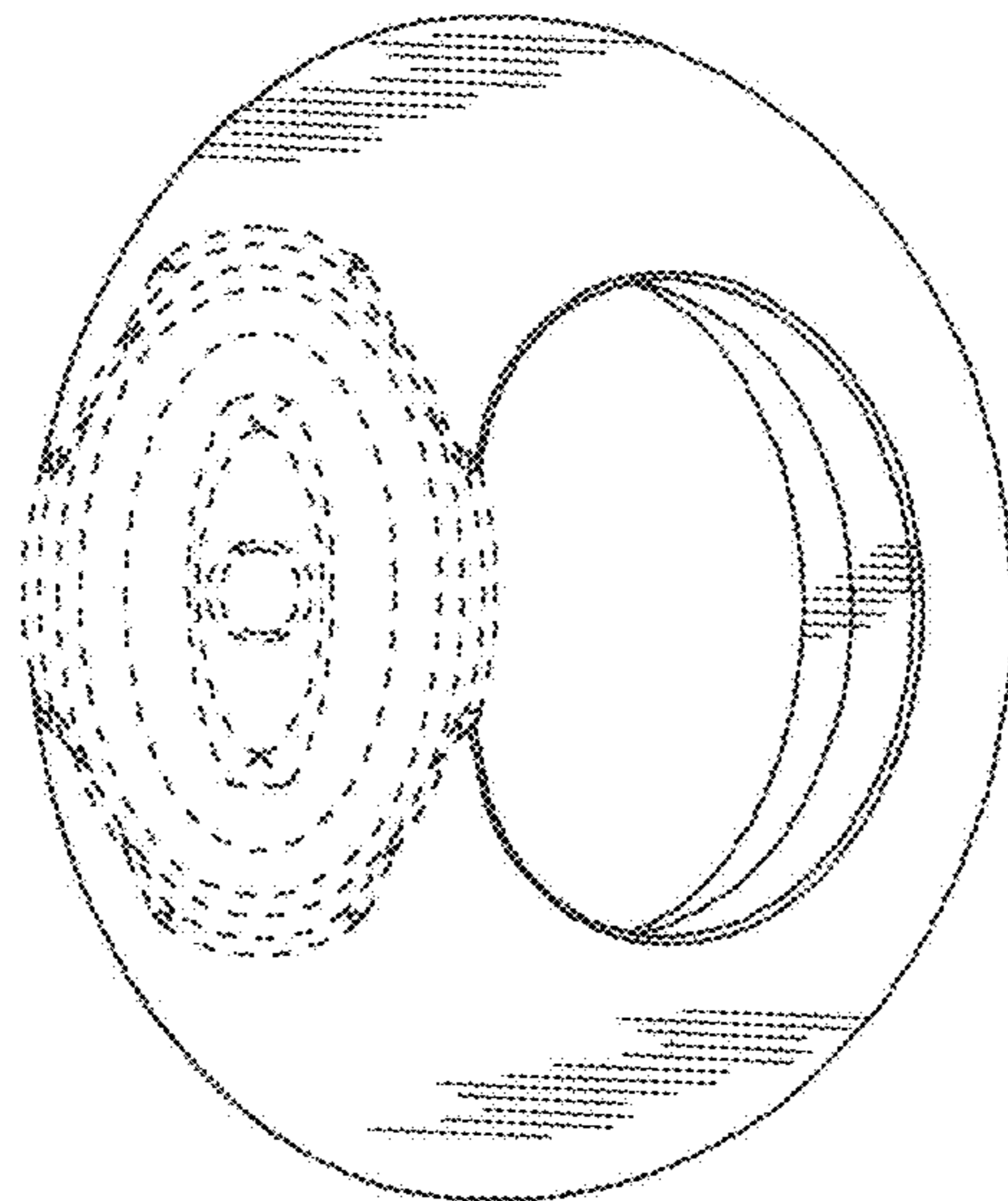


FIG. 6

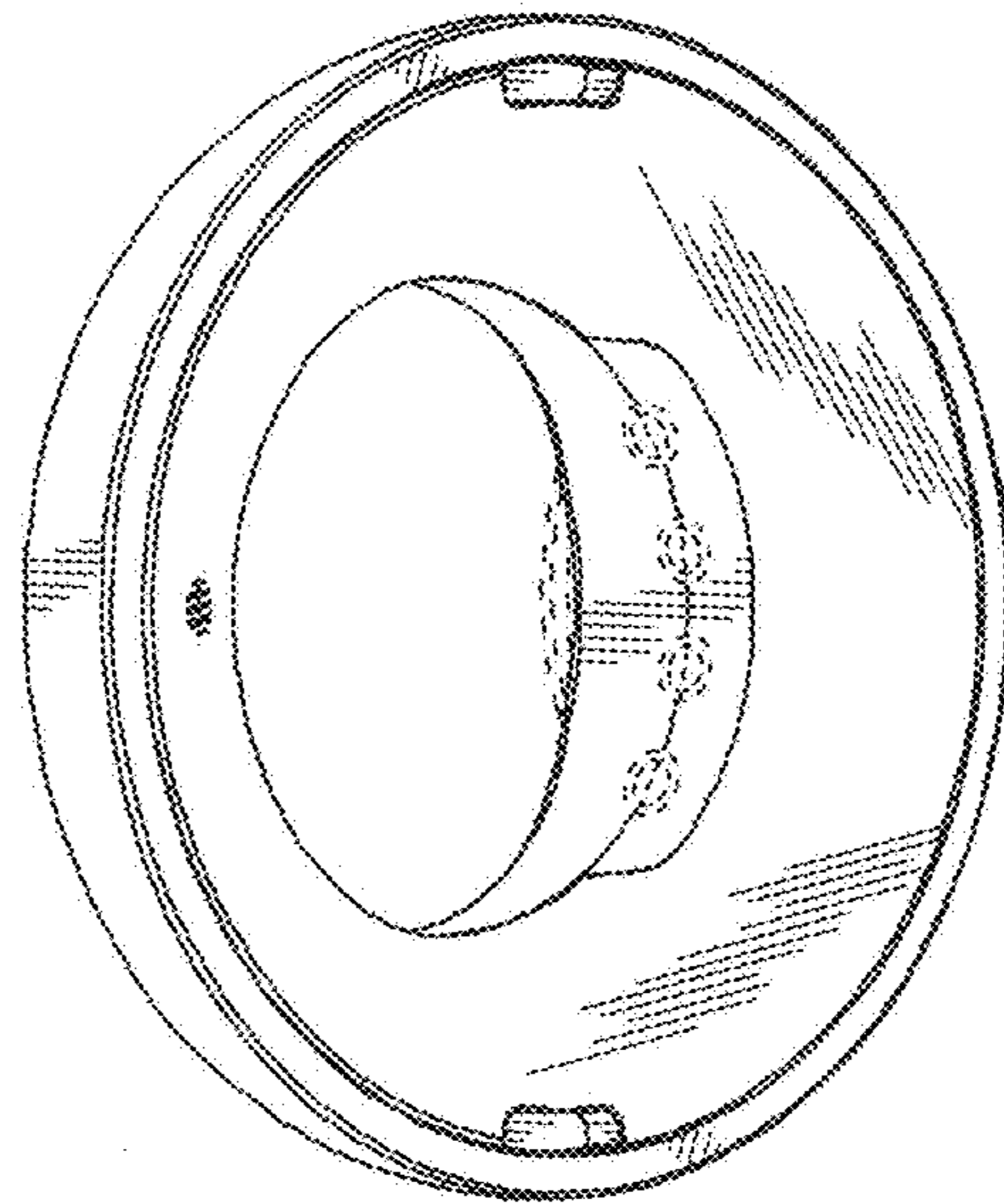


FIG. 7