



US00D883489S

(12) **United States Design Patent** (10) **Patent No.:** **US D883,489 S**
Kim (45) **Date of Patent:** **** May 5, 2020**

(54) **CHAIR FOR MAGNETIC RESONANCE IMAGING DEVICE**

(71) Applicant: **Samsung Electronics Co., Ltd.**, Suwon-si (KR)

(72) Inventor: **Euisik Kim**, Seoul (KR)

(73) Assignee: **SAMSUNG ELECTRONICS CO., LTD.**, Gyeonggi-Do (KR)

(**) Term: **15 Years**

(21) Appl. No.: **29/644,880**

(22) Filed: **Apr. 20, 2018**

(30) **Foreign Application Priority Data**

Nov. 15, 2017 (KR) 30-2017-0053327

(51) **LOC (12) Cl.** **24-01**

(52) **U.S. Cl.**
USPC **D24/159; D6/334**

(58) **Field of Classification Search**
USPC D24/107, 158-161, 185, 186, 187, 231, D24/183, 184; D6/334, 335, 349, 353,
(Continued)

(56) **References Cited**

U.S. PATENT DOCUMENTS

D354,177 S * 1/1995 Schwaegerle D24/183
5,823,624 A * 10/1998 Dahlbacka A47C 1/03
297/411.36

(Continued)

Primary Examiner — Anhdao Doan

(74) Attorney, Agent, or Firm — Cantor Colburn LLP

(57) **CLAIM**

The ornamental design for a chair for magnetic resonance imaging device, as shown and described.

DESCRIPTION

FIG. 1 is a front perspective view of a chair for magnetic resonance imaging (“MRI”) device, showing my new design in a first configuration;

FIG. 2 is a front view thereof;

FIG. 3 is a rear view thereof;

FIG. 4 is a left side view thereof;

FIG. 5 is a right side view thereof;

FIG. 6 is a top view thereof;

FIG. 7 is a bottom view thereof;

FIG. 8 is an enlarged view of the encircled area 8 in FIG. 1;

FIG. 9 is a front perspective view of a chair for magnetic resonance imaging (“MRI”) device, showing my new design in another configuration;

FIG. 10 is a front view thereof;

FIG. 11 is a rear view thereof;

FIG. 12 is a left side view thereof;

FIG. 13 is a right side view thereof;

FIG. 14 is a top view thereof;

FIG. 15 is a bottom view thereof;

FIG. 16 is an enlarged view of the encircled area 19 in FIG. 9;

FIG. 17 is a front perspective view of a chair for magnetic resonance imaging (“MRI”) device, showing my new design in another configuration;

FIG. 18 is a front view thereof;

FIG. 19 is a rear view thereof;

FIG. 20 is a left side view thereof;

FIG. 21 is a right side view thereof;

FIG. 22 is a top view thereof;

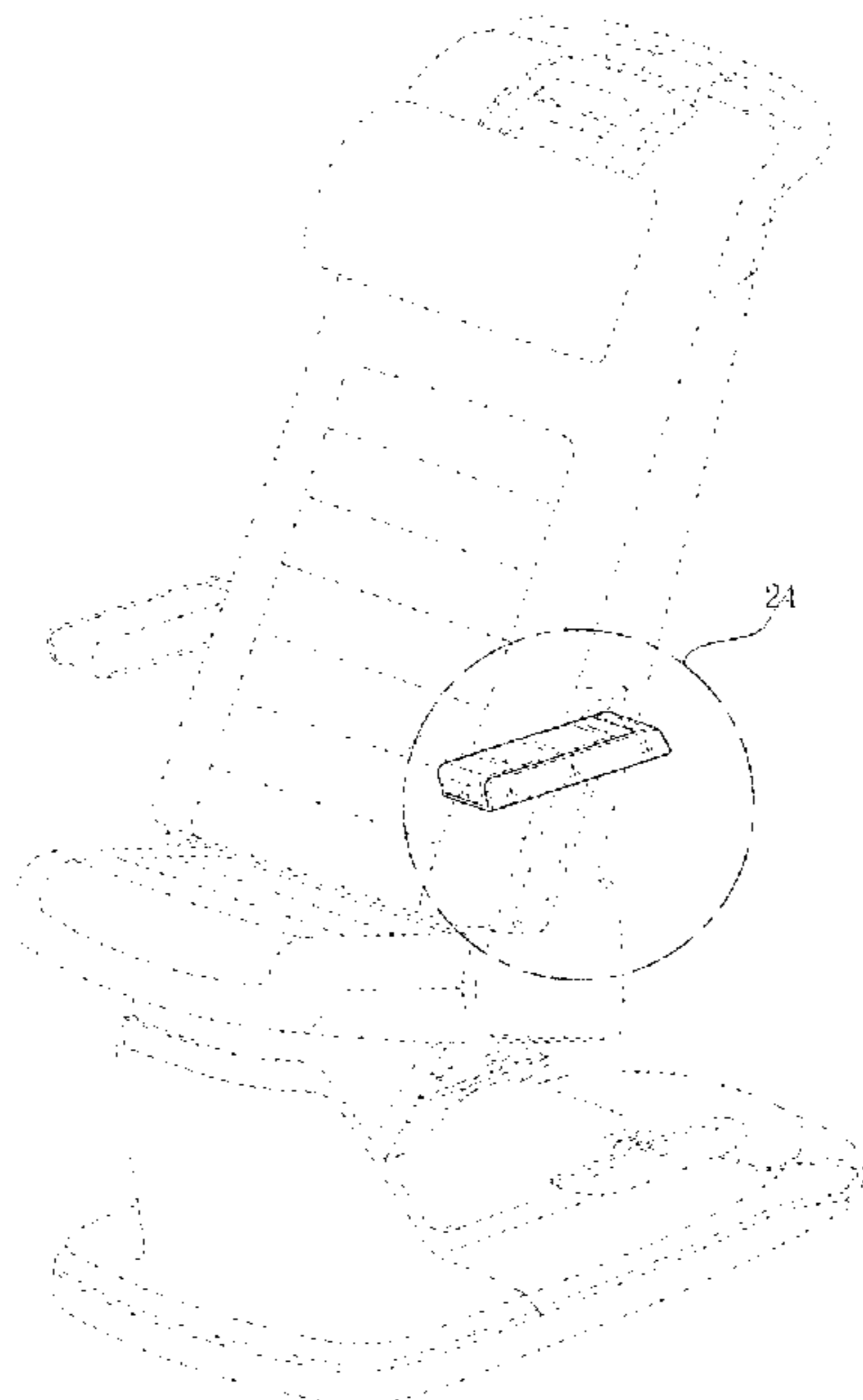
FIG. 23 is a bottom view thereof;

FIG. 24 is an enlarged view of the encircled 24 in FIG. 17; and,

FIG. 25 is another perspective view thereof as shown in a configuration of use.

The broken lines illustrating portions of the chair for MRI device form no part of claimed design.

1 Claim, 25 Drawing Sheets



(58) **Field of Classification Search**

USPC D6/364, 708, 708.17, 708.18, 708.21,
D6/716, 716.2, 716.3
CPC .. A61B 6/03; A61B 6/035; A61B 5/05; A61B
5/055; A61B 6/04; A61B 6/0407; G01N
2223/1013; G01N 2223/1016; A61N
2005/1054; A61N 2005/1055; A61N
2005/1074; A61G 13/1235; A61G
2210/50; A61F 5/3723; A61F 5/3761

See application file for complete search history.

(56) **References Cited**

U.S. PATENT DOCUMENTS

D474,277	S	*	5/2003	Juni	D24/158
D492,998	S	*	7/2004	Juni	D24/158
D499,908	S	*	12/2004	Edwards	D6/366
D535,505	S	*	1/2007	Cai	D6/366
7,387,341	B1	*	6/2008	Tsai	A47C 1/03 297/411.35
D688,502	S	*	8/2013	Smith	D6/716.2
D727,078	S	*	4/2015	Chen	D6/716.2
D824,032	S	*	7/2018	Poulsen	D24/159

* cited by examiner

FIG. 1

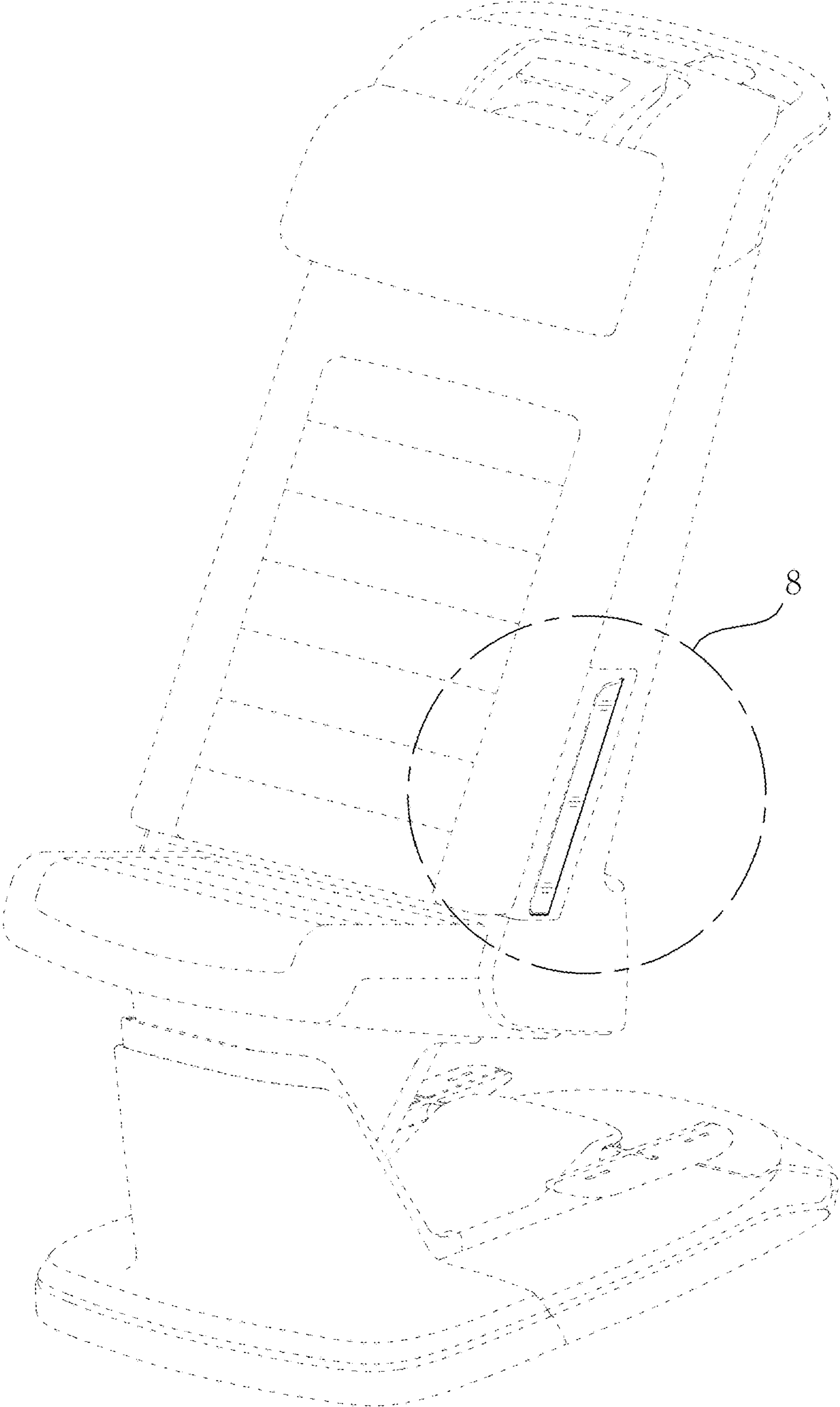


FIG. 2

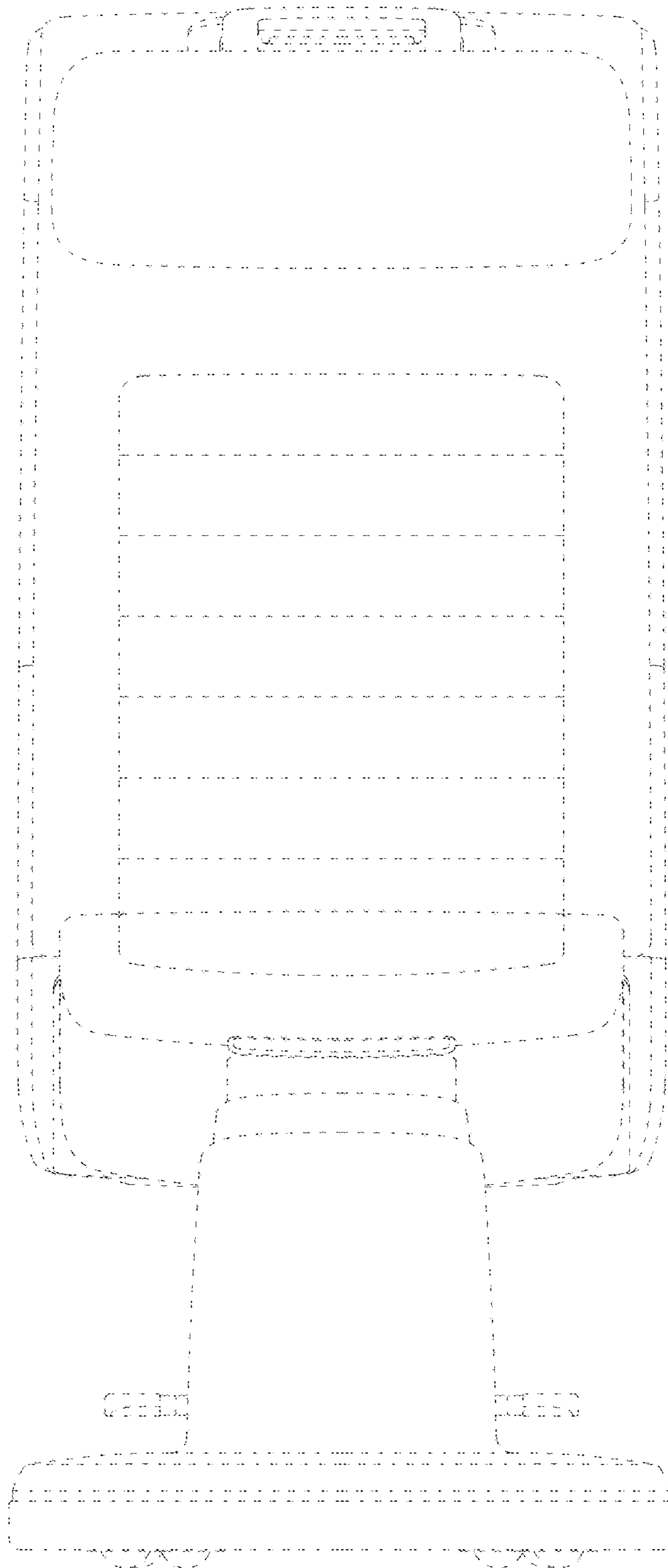


FIG. 3

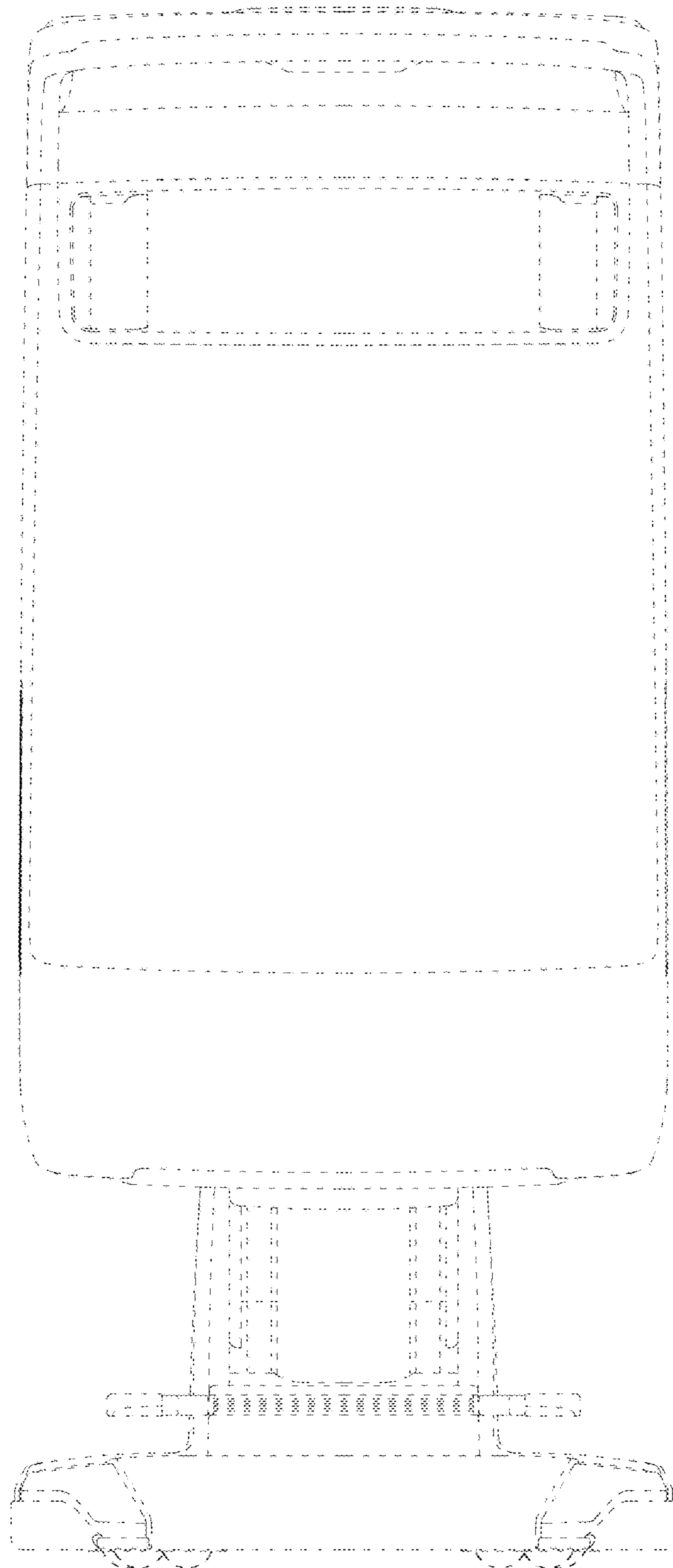


FIG. 4

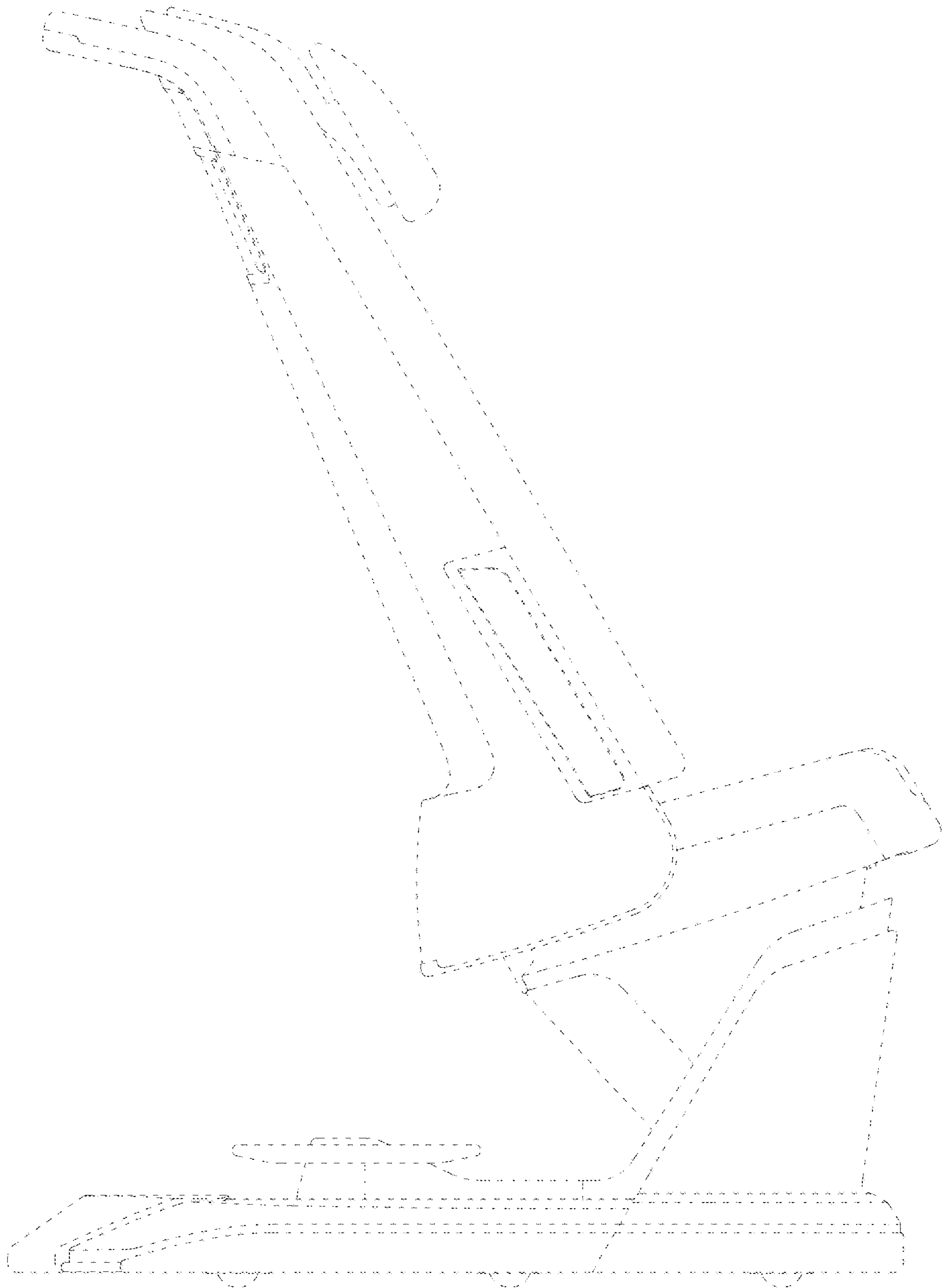


FIG. 5

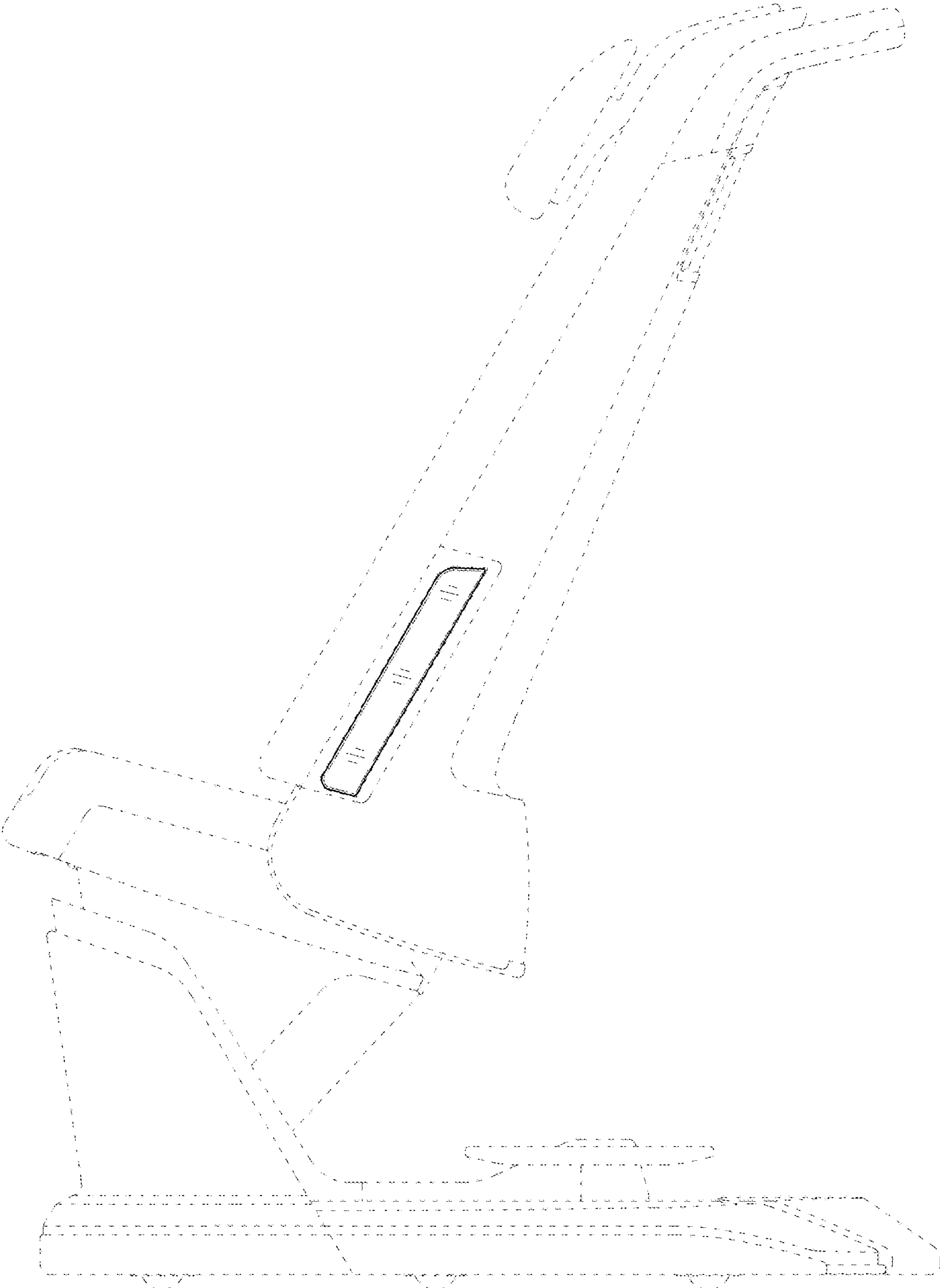


FIG. 6

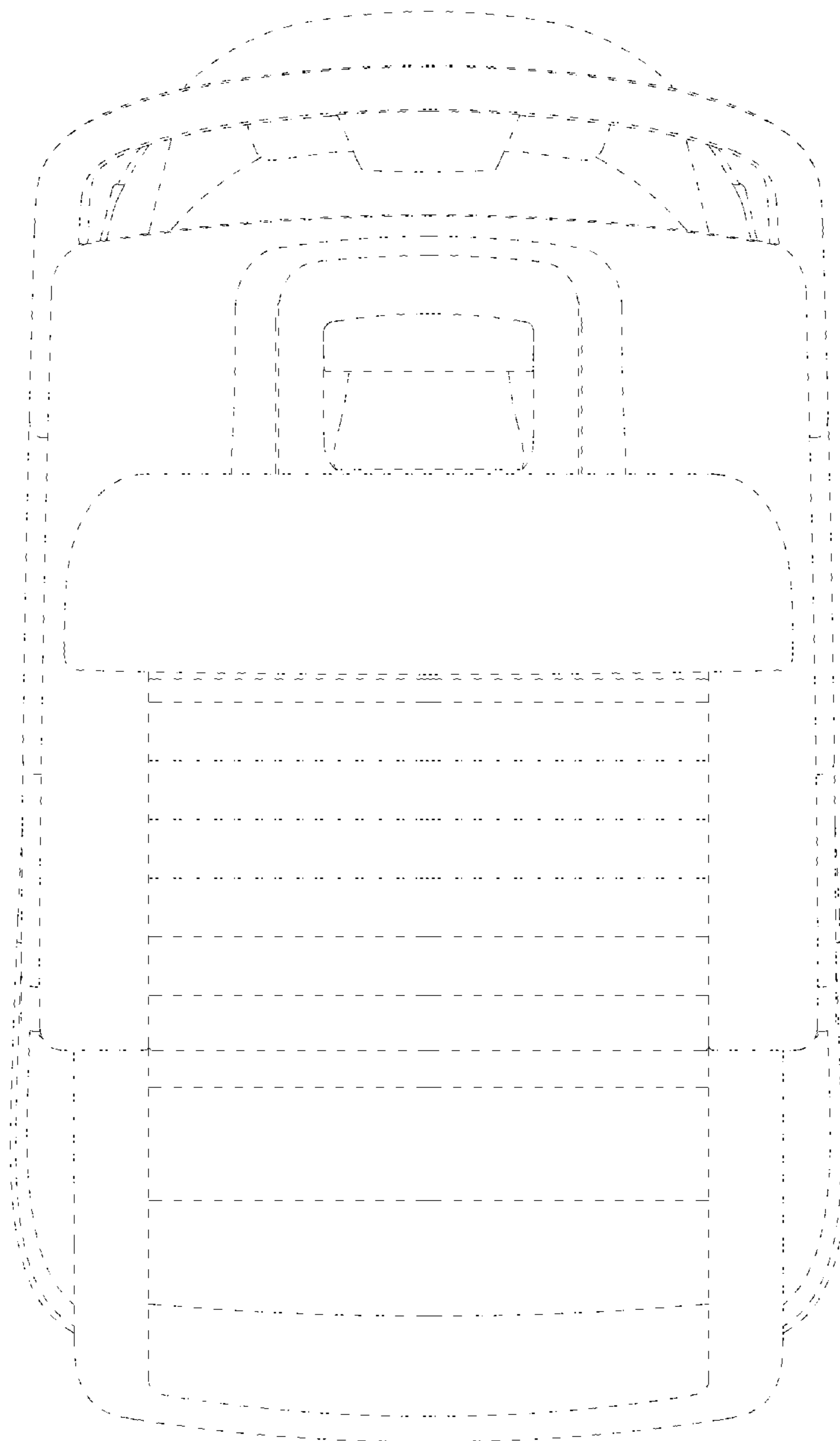


FIG. 7

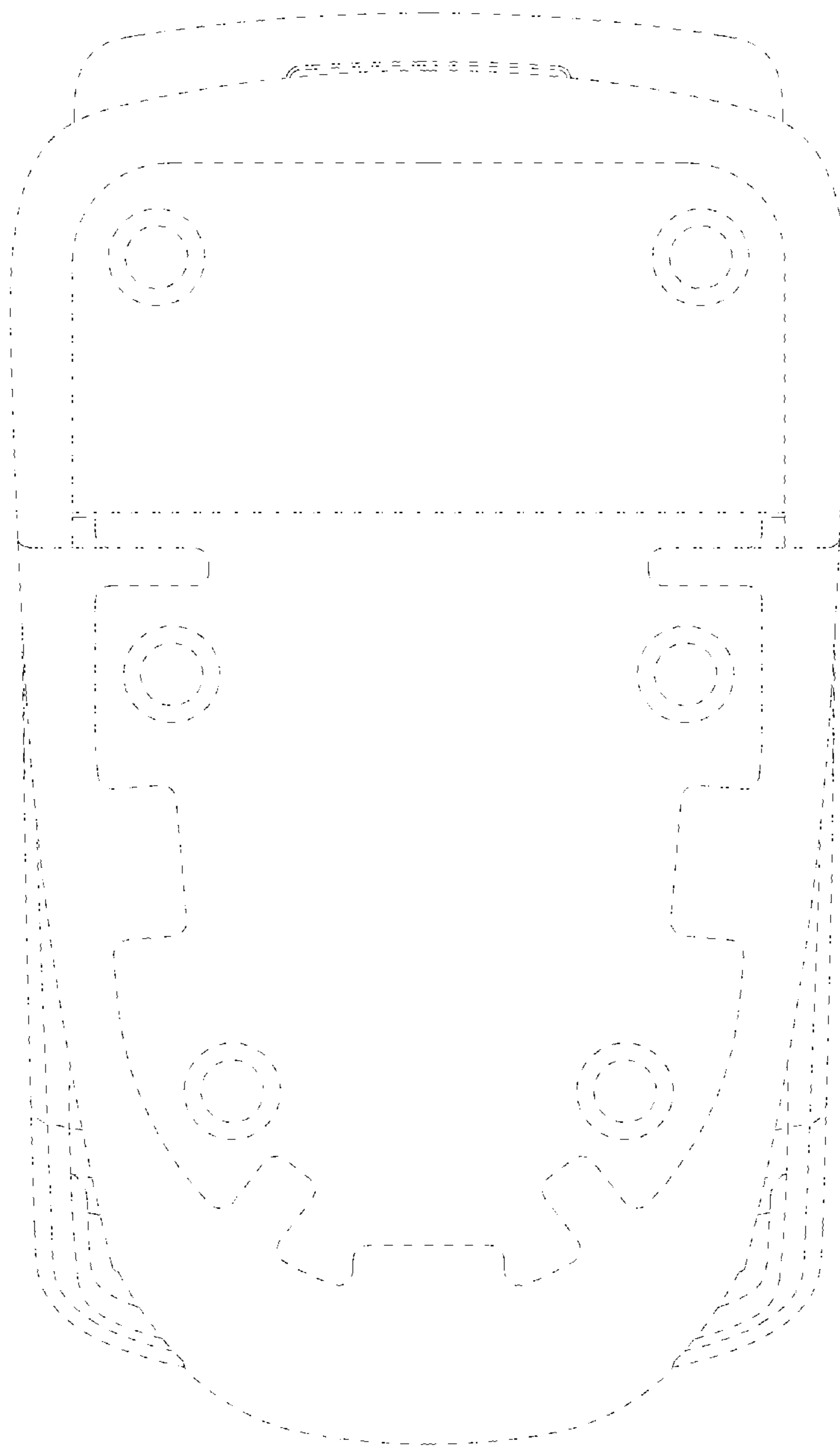


FIG. 8

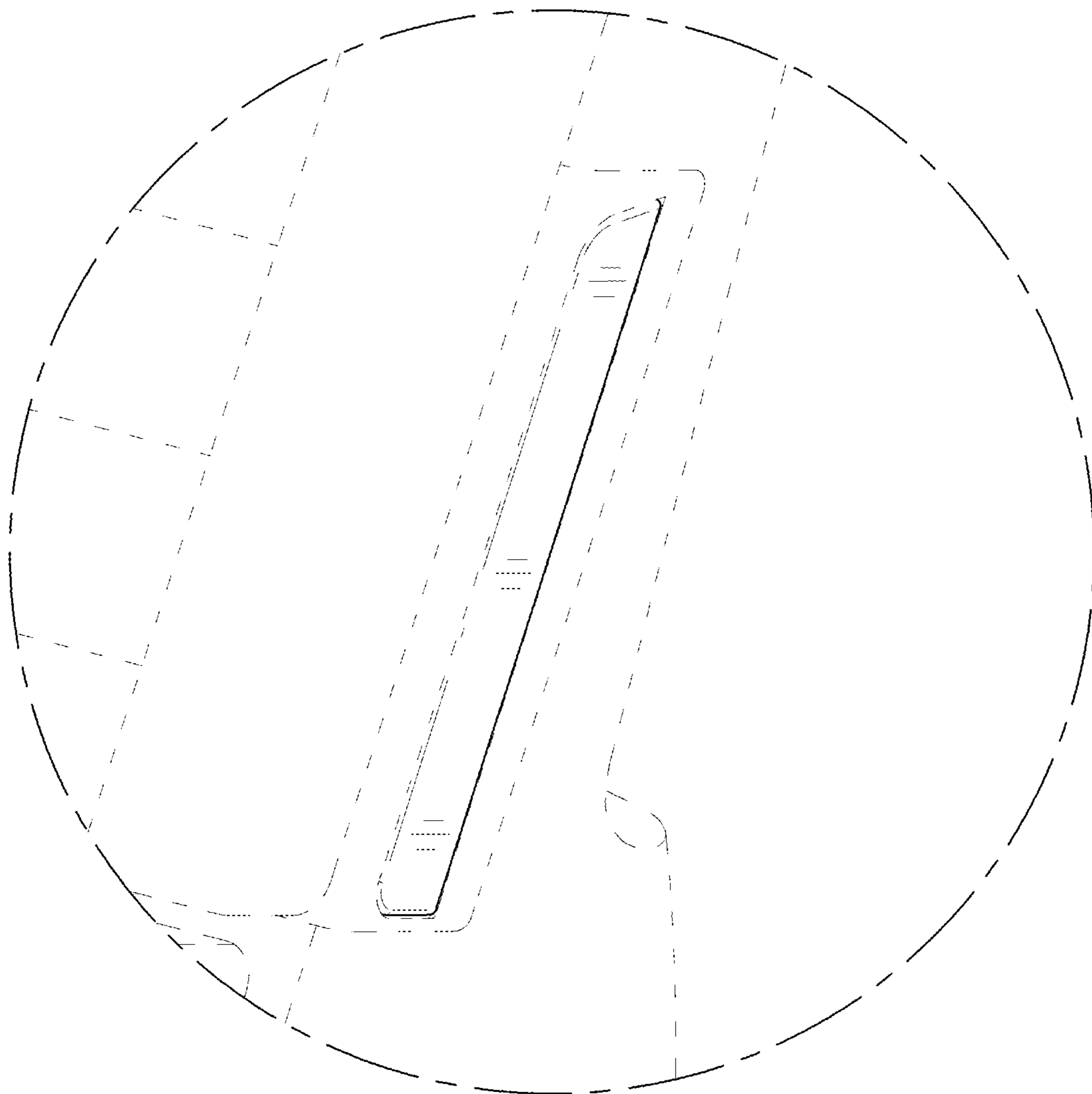


FIG. 9

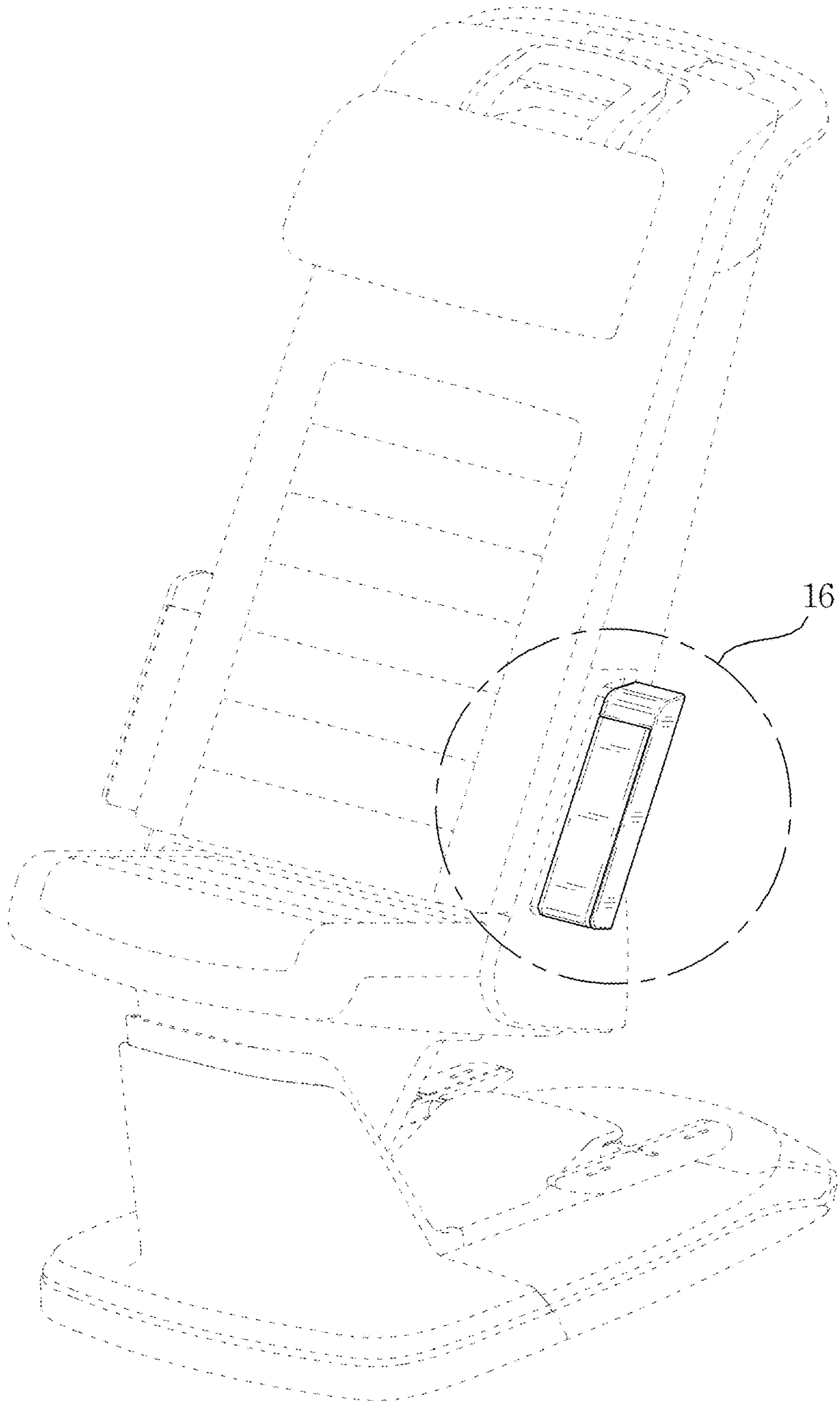


FIG. 10

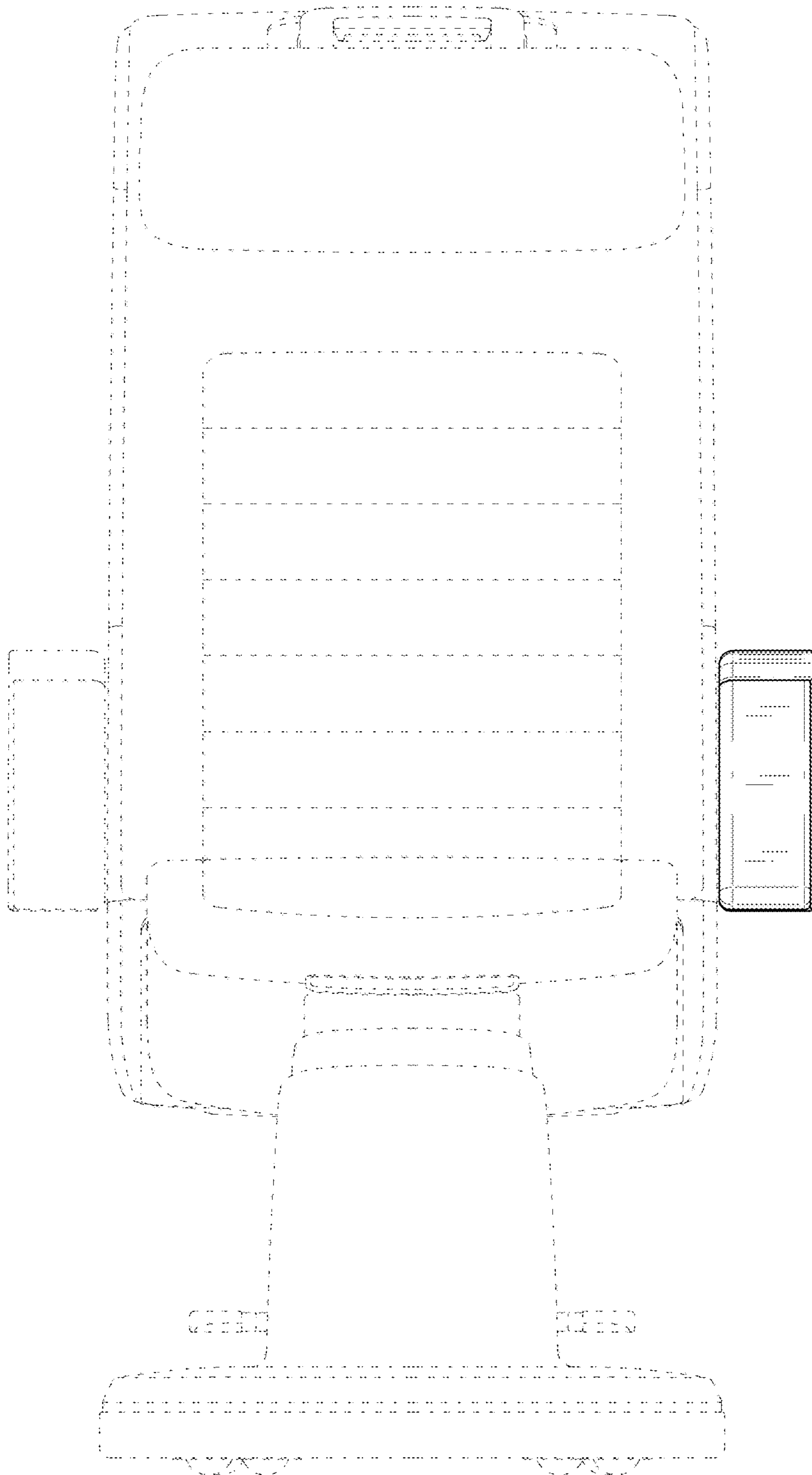


FIG. 11

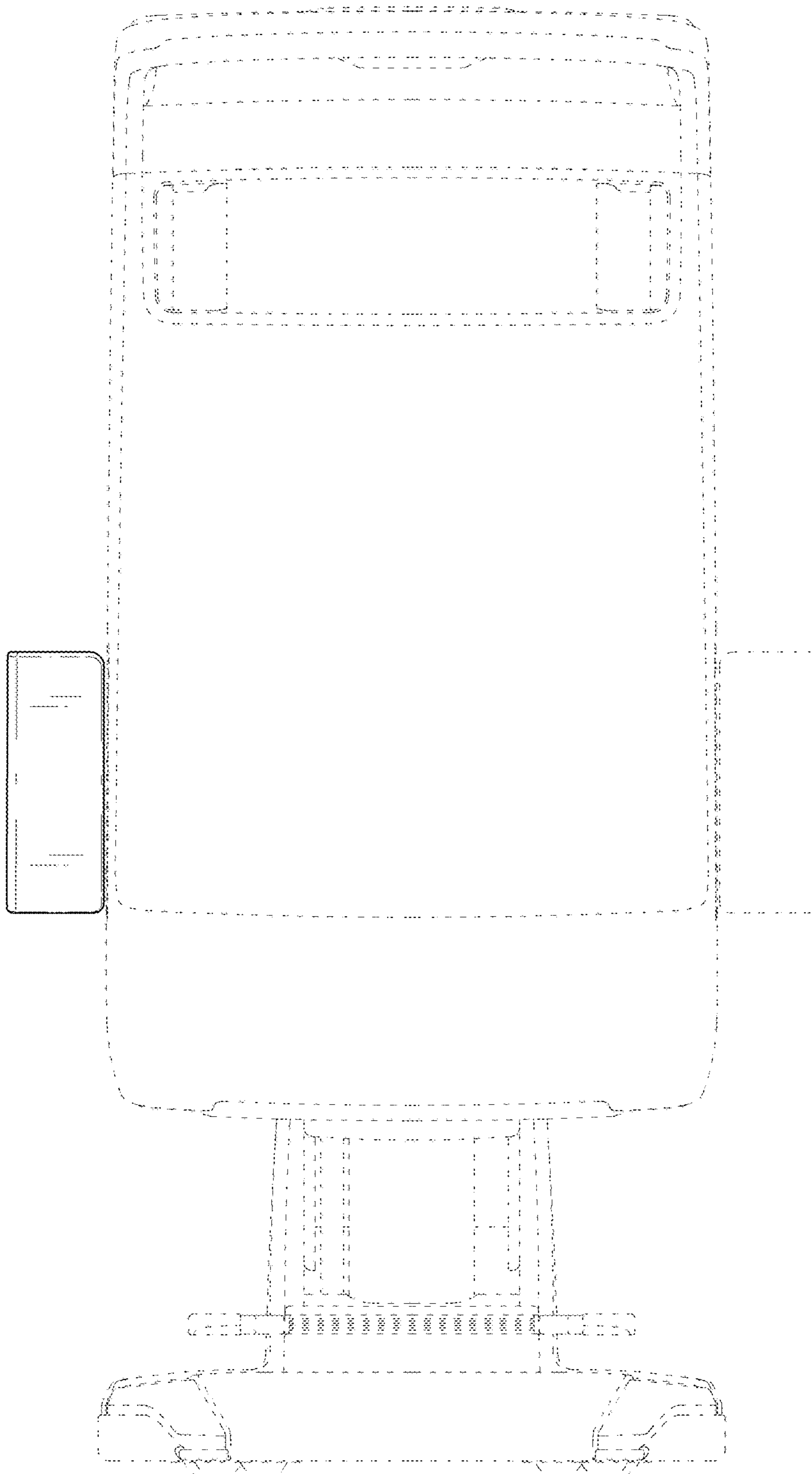


FIG. 12

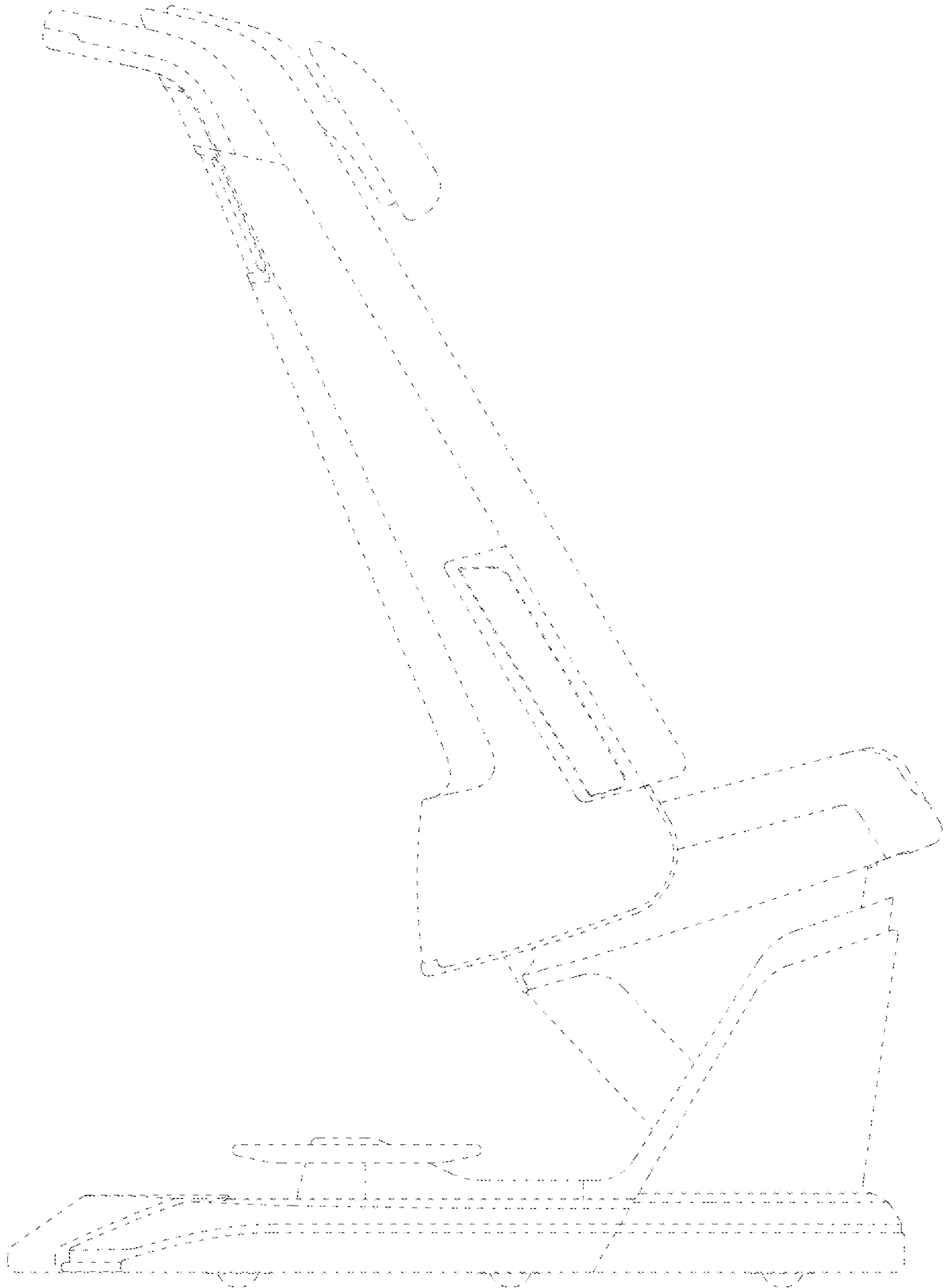


FIG. 13

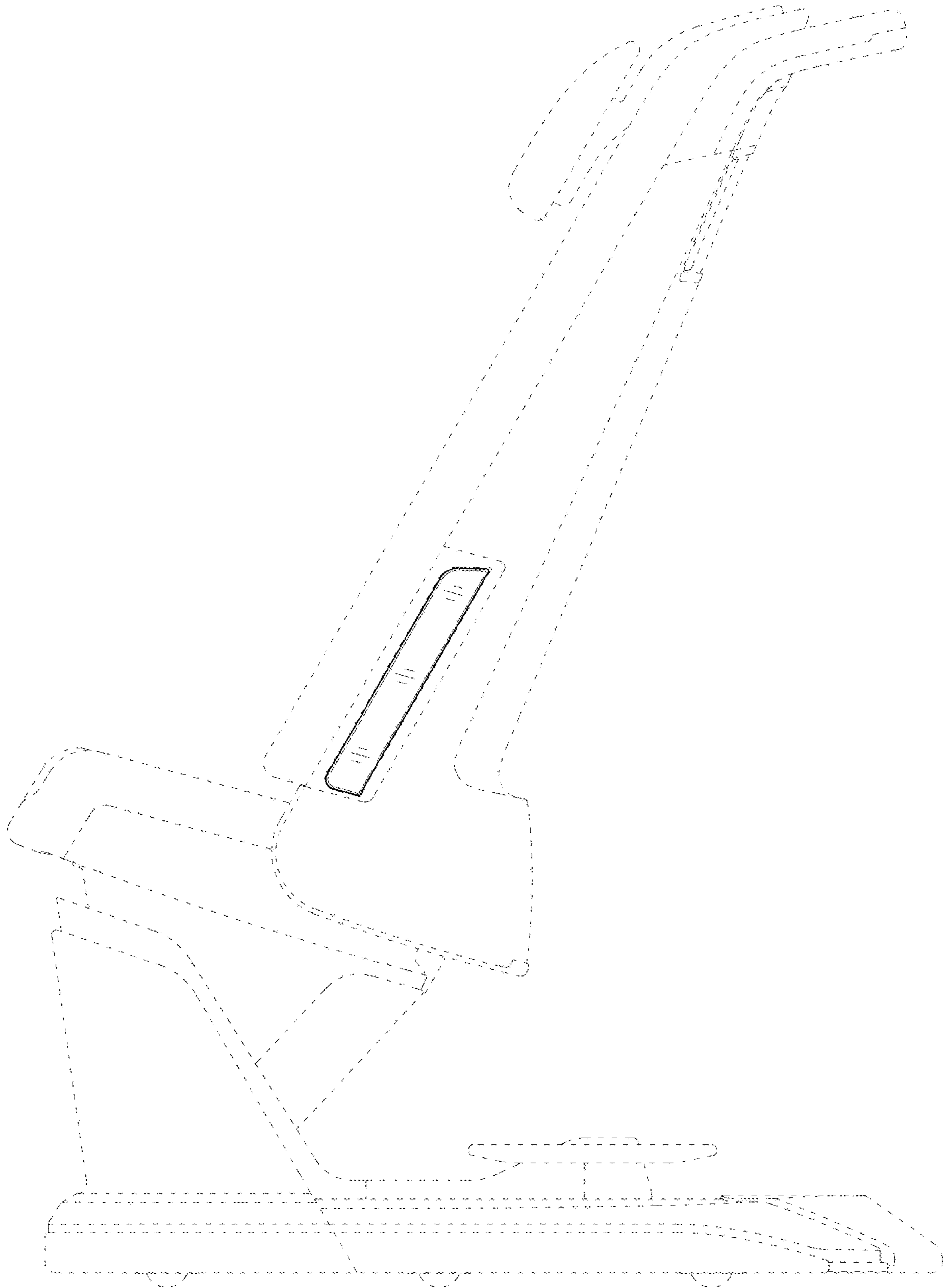


FIG. 14

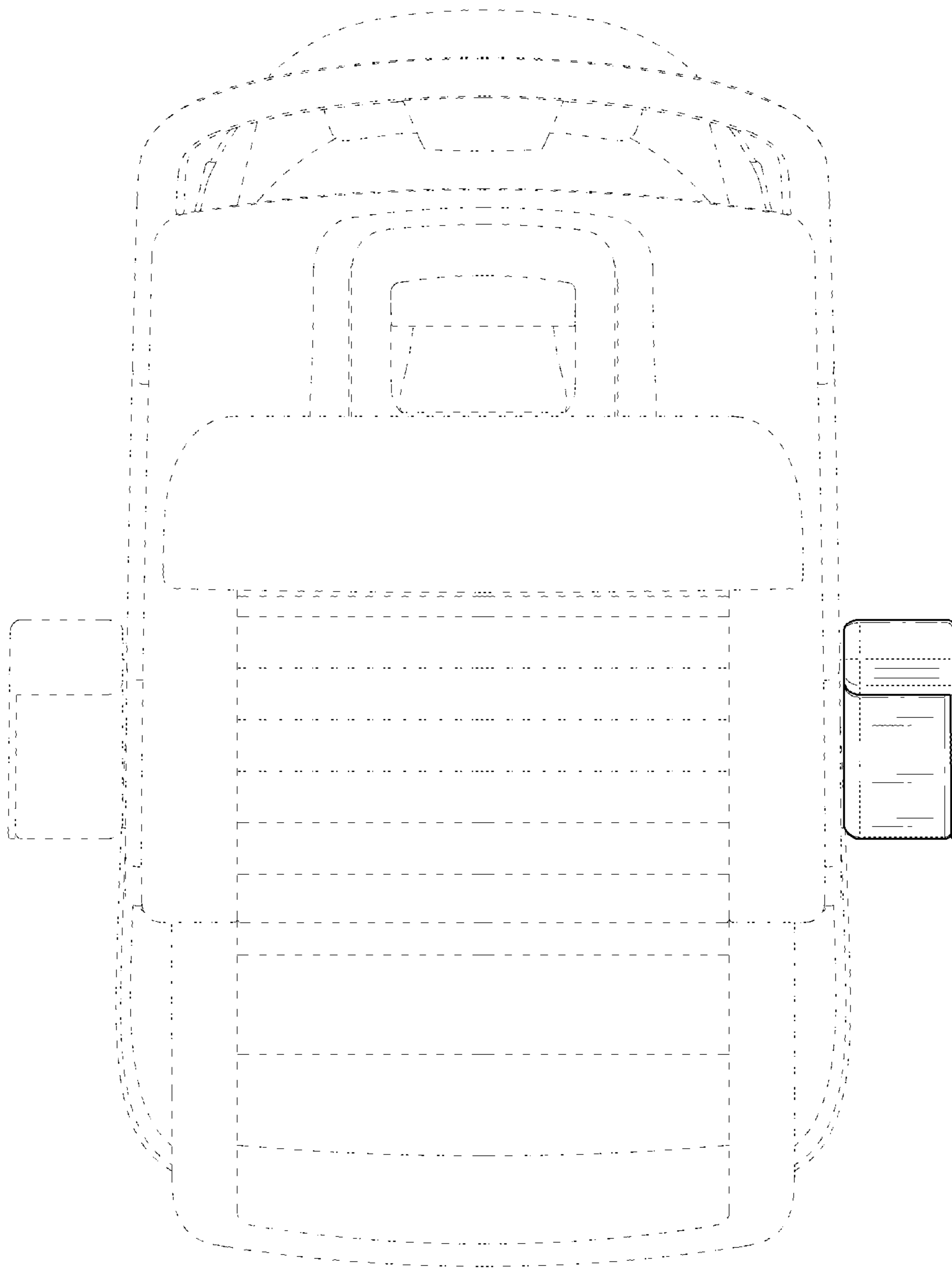


FIG. 15

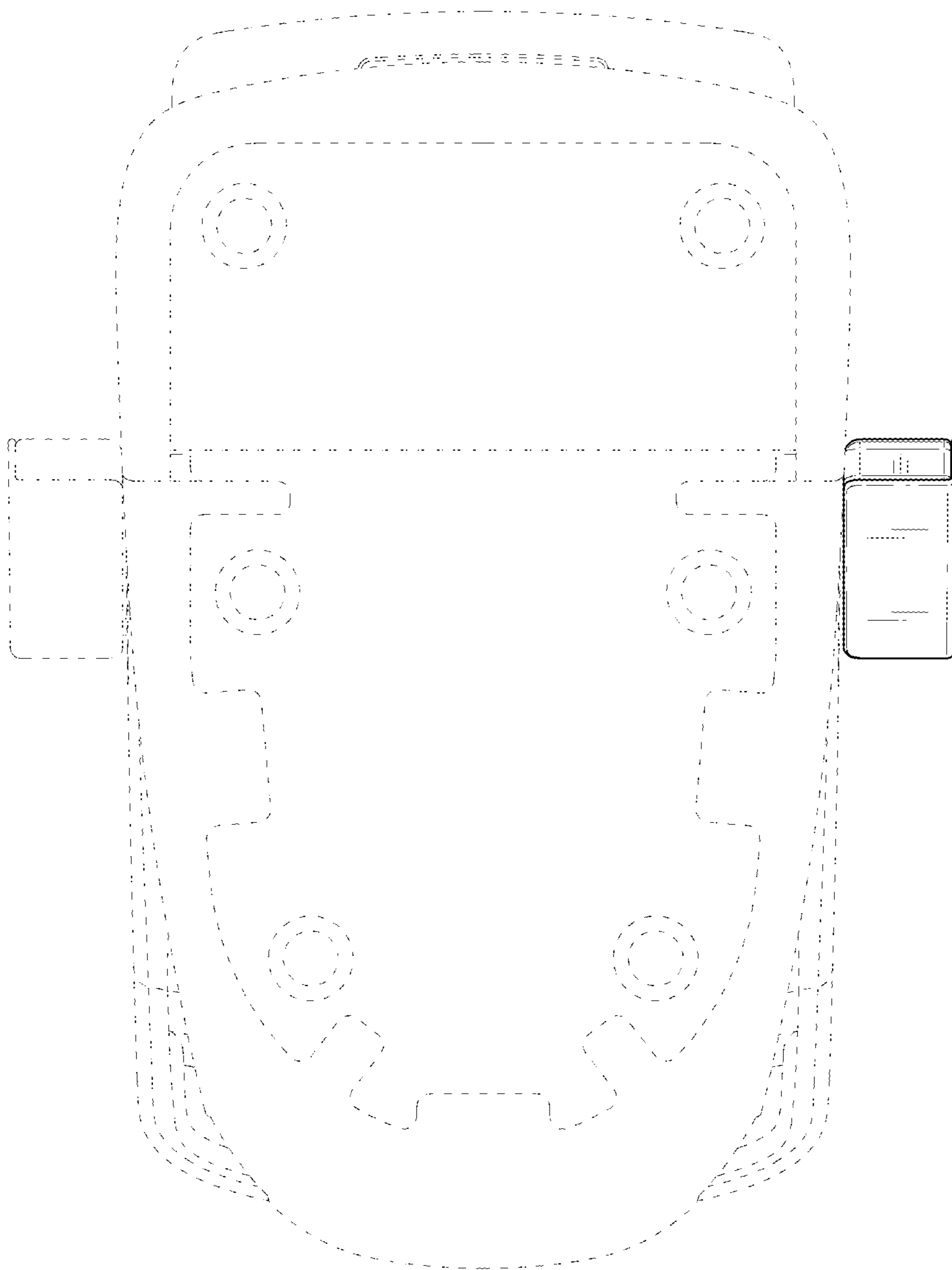


FIG. 16

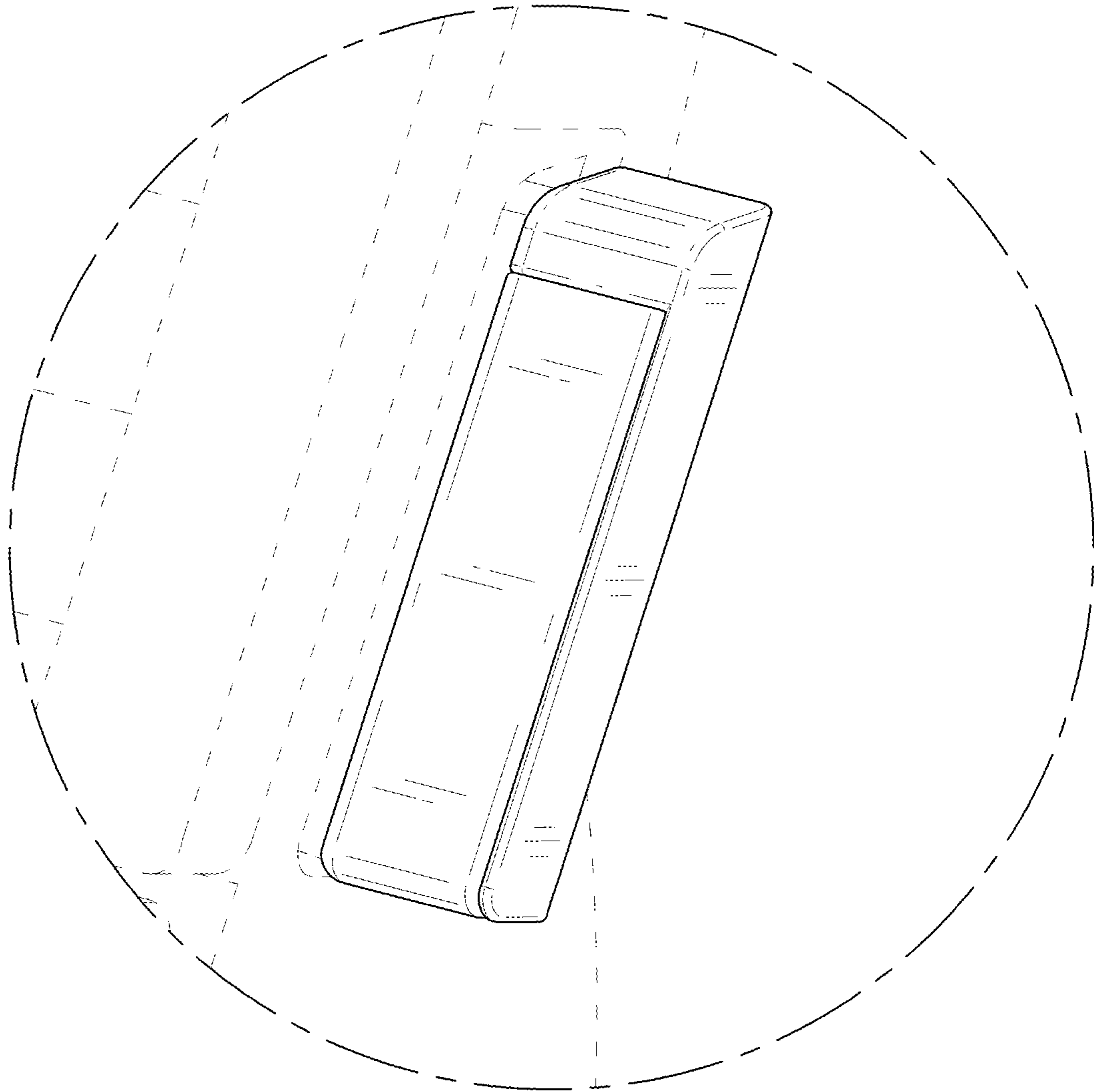


FIG. 17

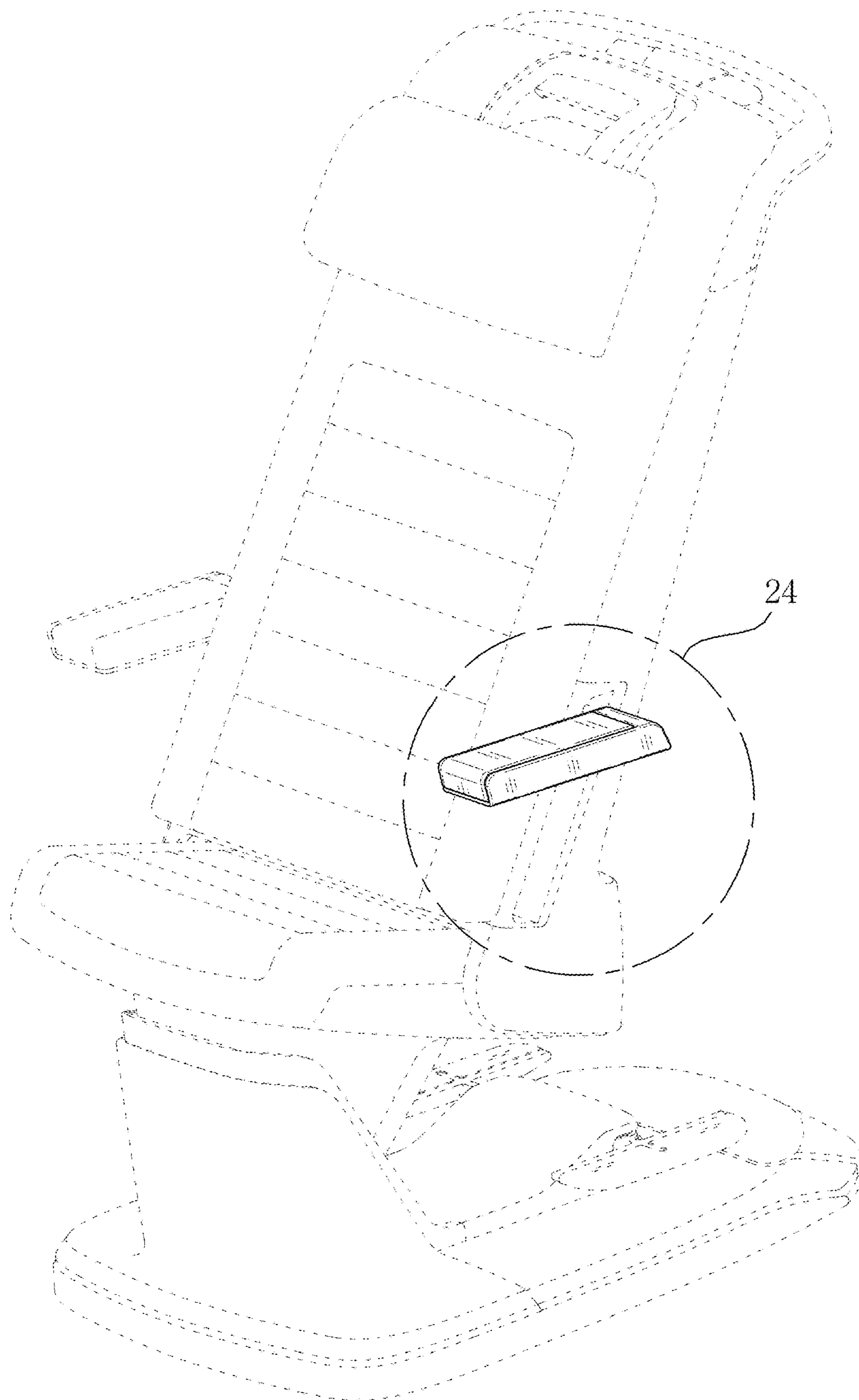


FIG. 18

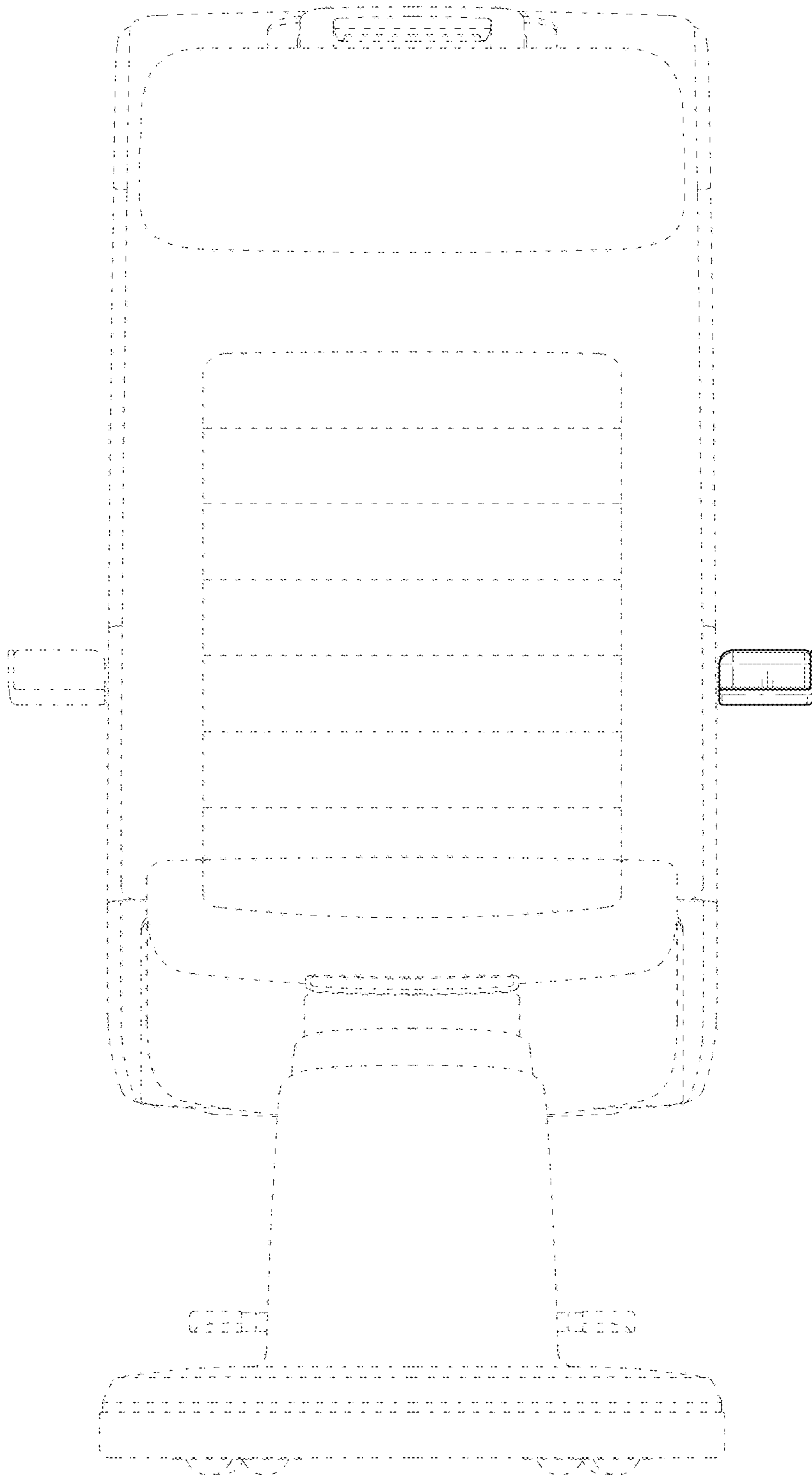


FIG. 19

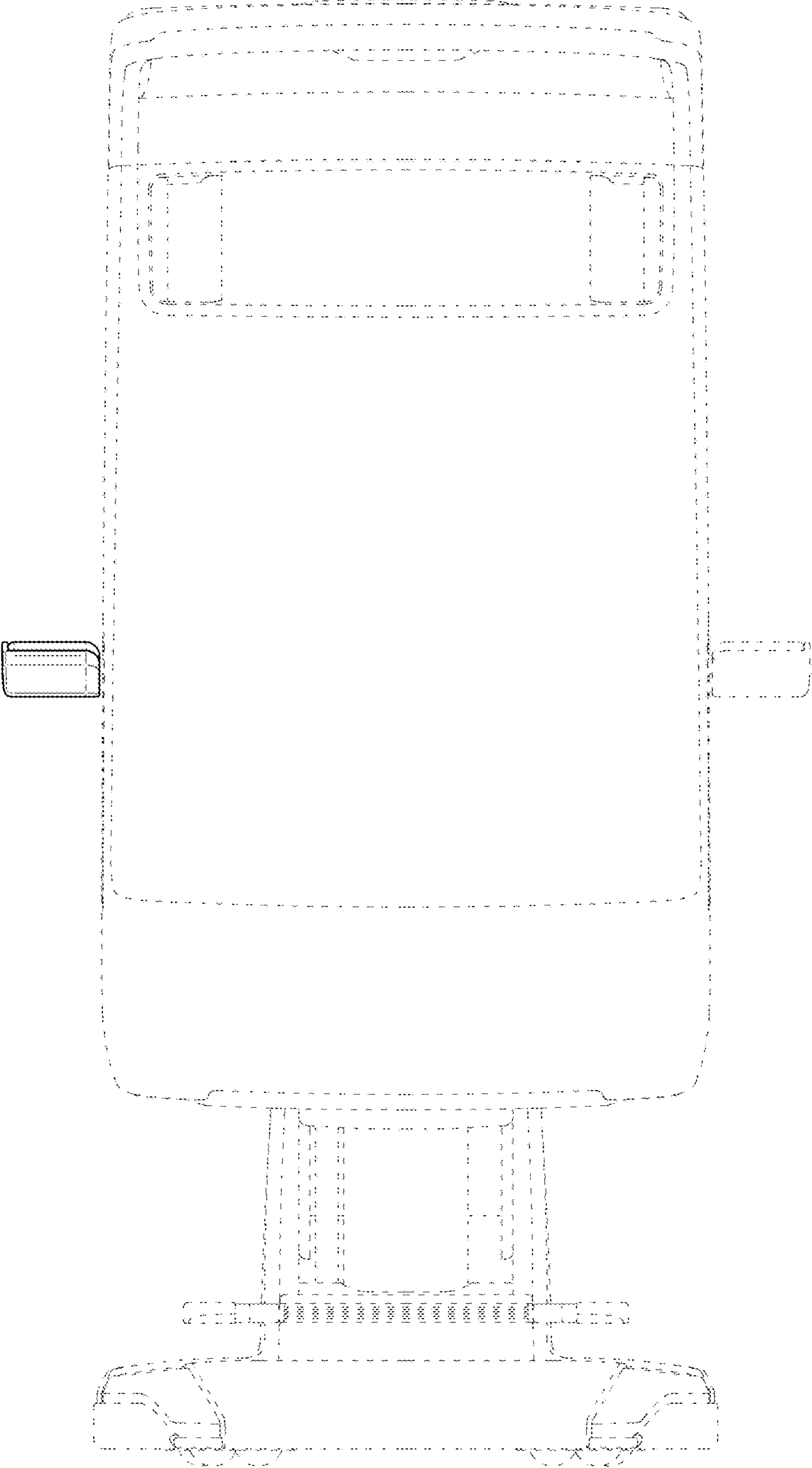


FIG. 20

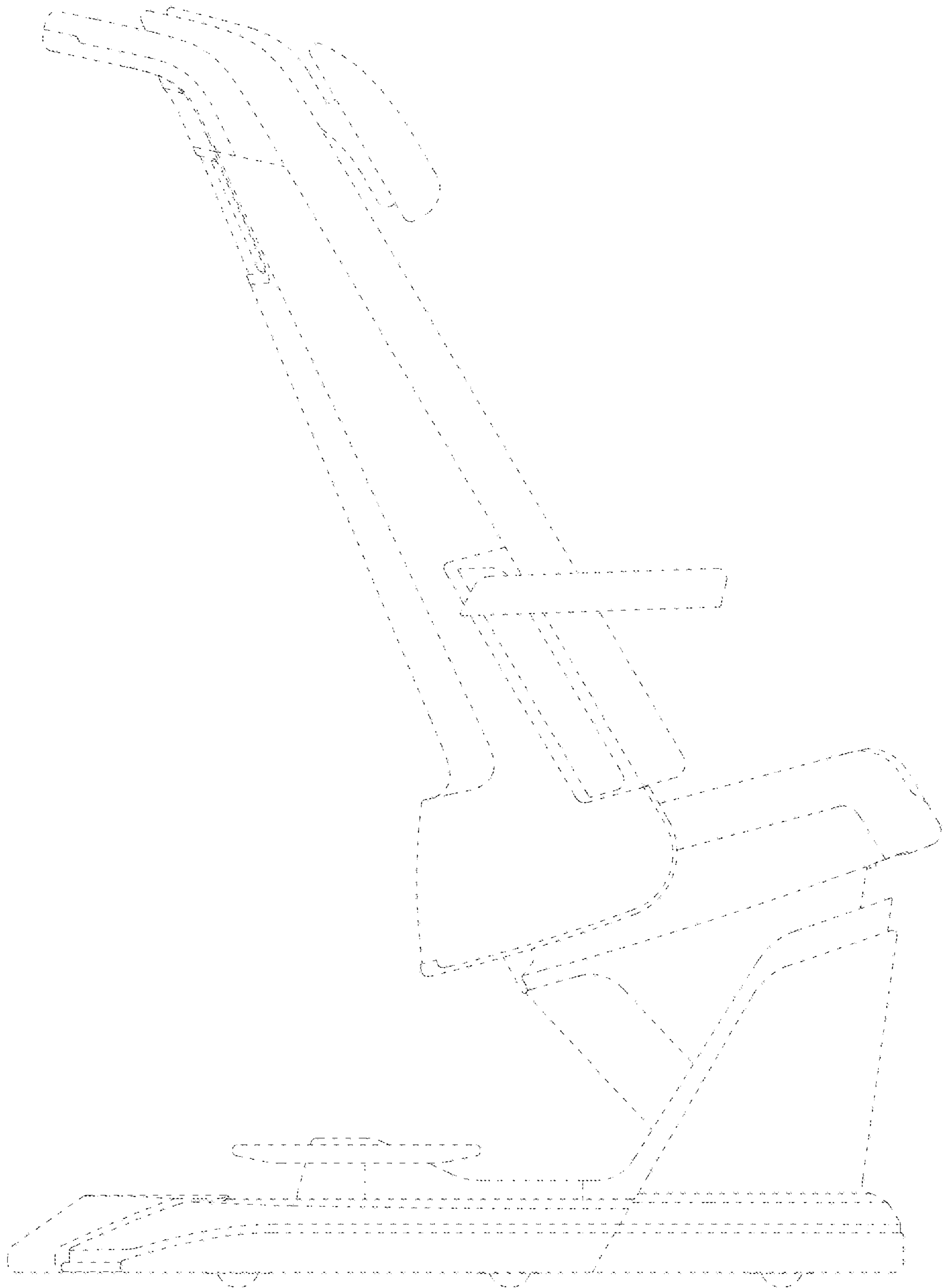


FIG. 21

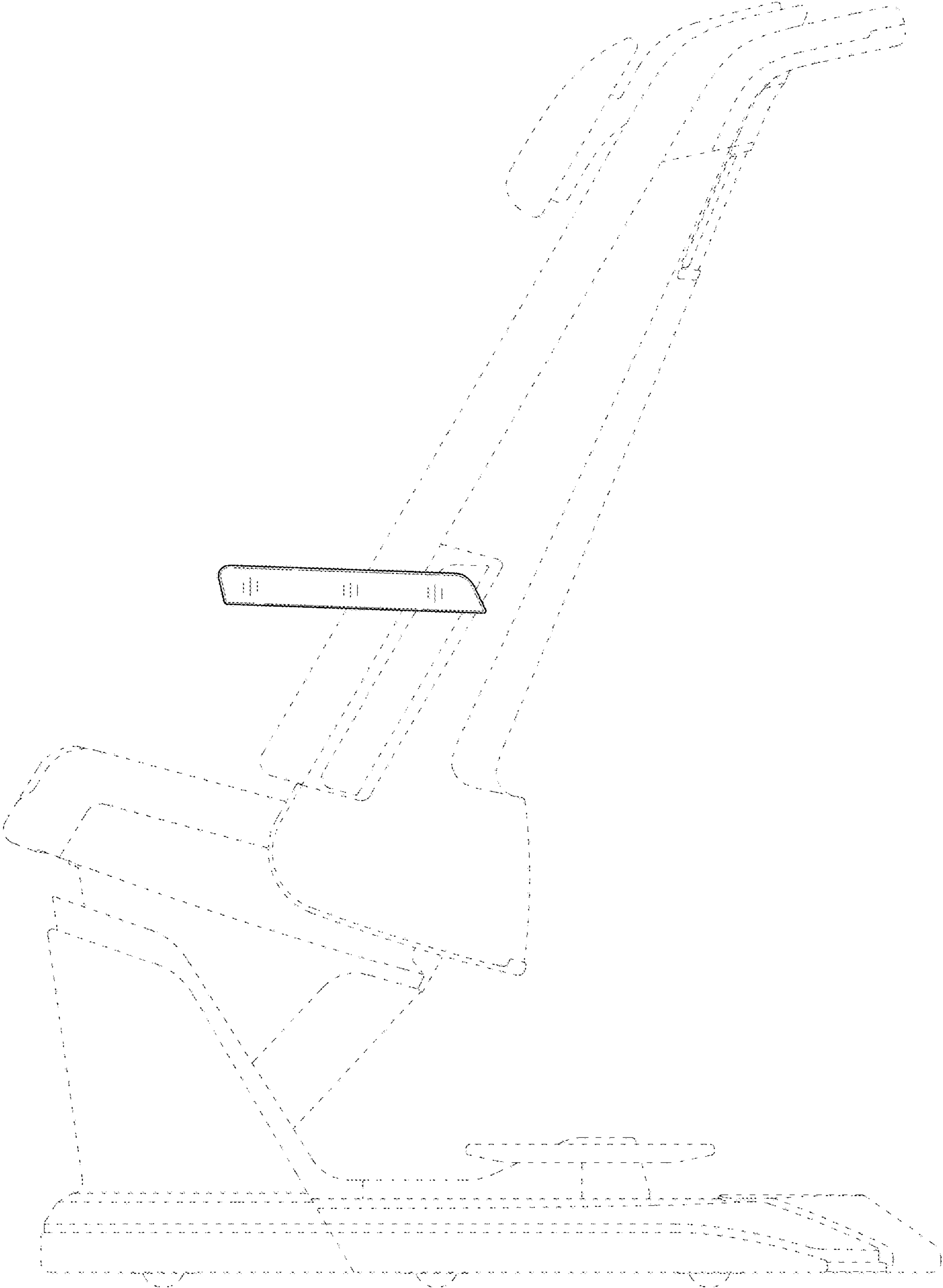


FIG. 22

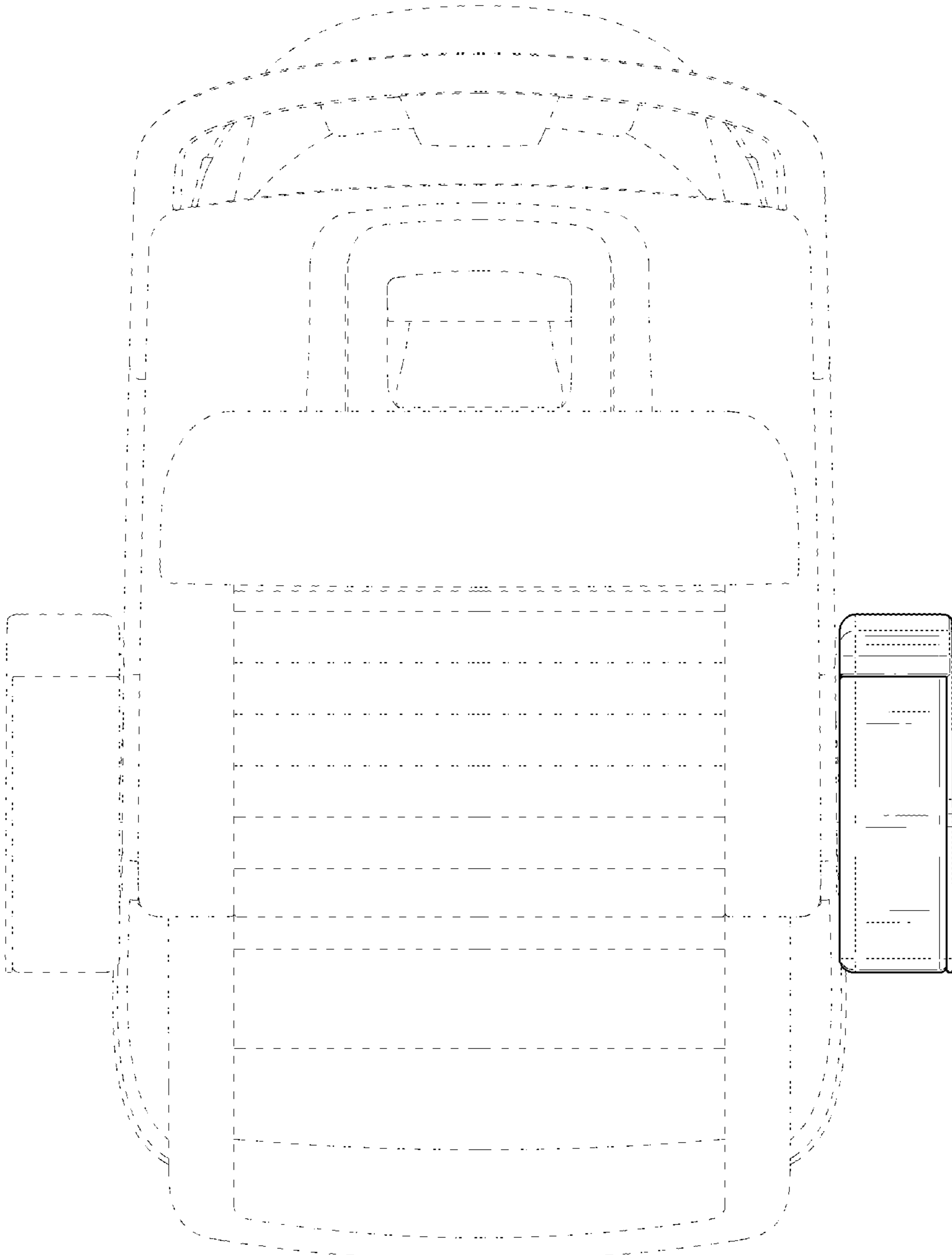


FIG. 23

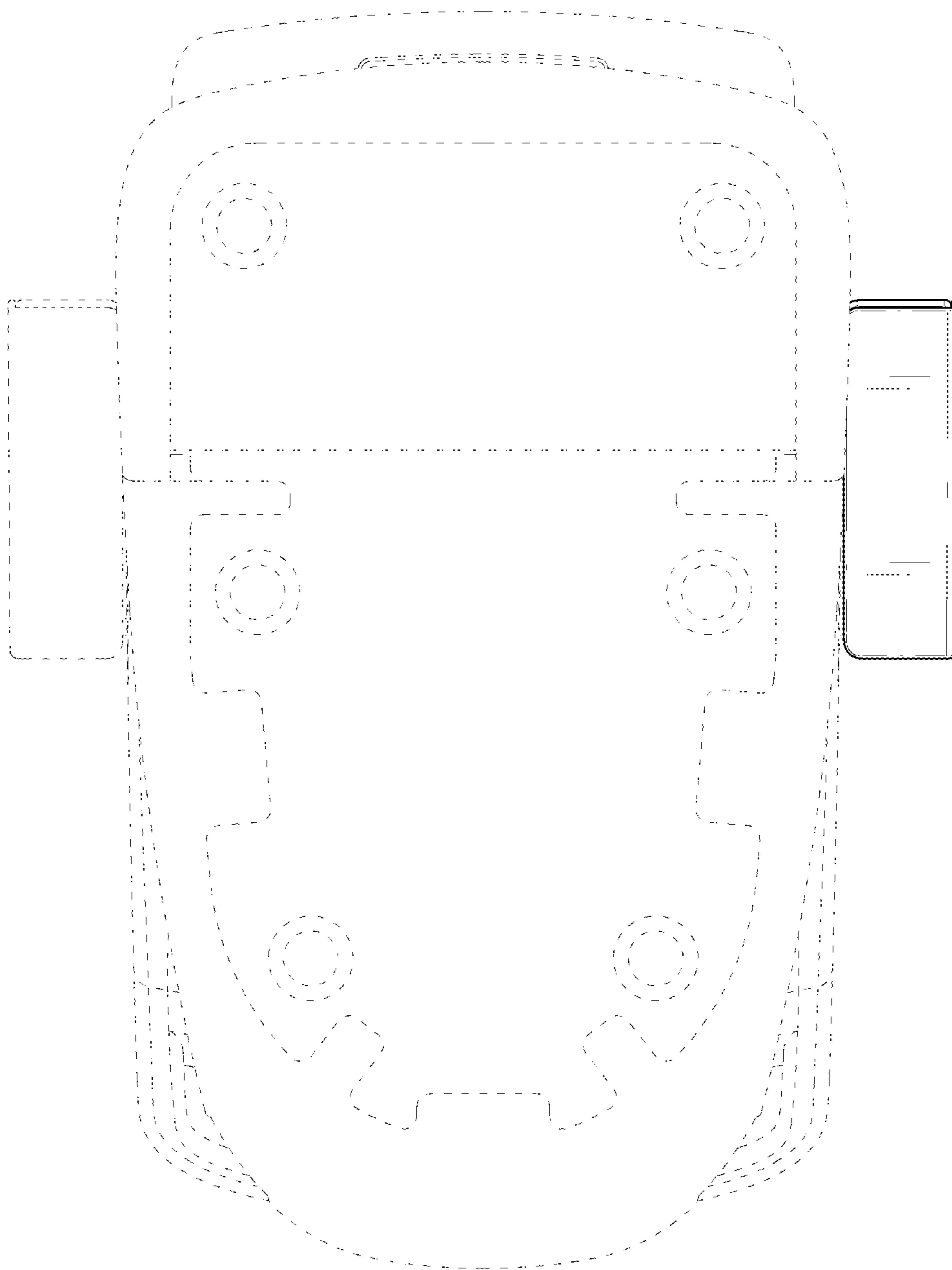


FIG. 24

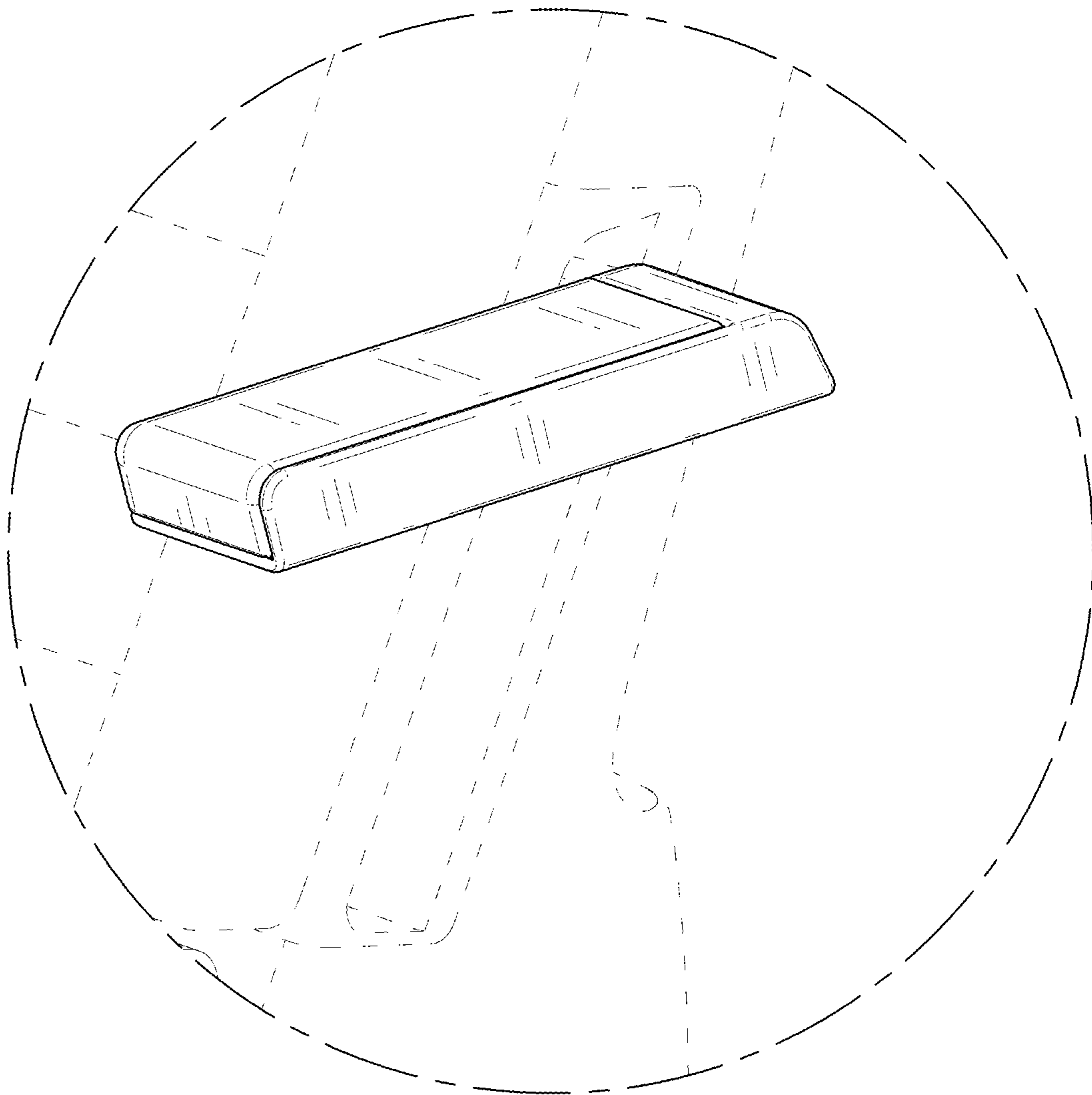


FIG. 25

