



US00D883487S

(12) **United States Design Patent** (10) **Patent No.:** **US D883,487 S**
Sitzler et al. (45) **Date of Patent:** **** May 5, 2020**

(54) **THERMOACOUSTIC IMAGING PROBE**

(71) Applicant: **ENDRA Life Sciences Inc.**, Ann Arbor, MI (US)

(72) Inventors: **Amy L. Sitzler**, Chelsea, MI (US); **Richard Moss**, Highland Park, IL (US); **Michael M. Thornton**, London (CA); **Victor Motov**, Ypsilanti, MI (US); **Dmitry V. Vasilenko**, Ann Arbor, MI (US); **Scott Patrick Belanger**, Saline, MI (US); **Laura Karik**, Mississauga (CA); **Timothy Sang-Ook Park**, Toronto (CA); **Martin Leandro Par**, Toronto (CA); **Nathan John Muller**, Victoria (CA); **Nigel Anthony Syrotuck**, Victoria (CA); **Christine Park**, Victoria (CA)

(73) Assignee: **ENDRA Life Sciences Inc.**, Ann Arbor, MI (US)

(**) Term: **15 Years**

(21) Appl. No.: **29/679,817**

(22) Filed: **Feb. 11, 2019**

(51) **LOC (12) Cl.** **24-01**

(52) **U.S. Cl.**
USPC **D24/158**; D24/187

(58) **Field of Classification Search**
USPC D24/133, 137, 158, 186, 187; D10/78
CPC A61B 8/445; A61B 8/4455; A61B 8/4461
See application file for complete search history.

(56) **References Cited**

U.S. PATENT DOCUMENTS

D387,867 S * 12/1997 Henderson D24/187
D451,830 S * 12/2001 Semeriva D10/57

D603,050 S * 10/2009 Chen D24/187
D669,182 S * 10/2012 Prado D24/158
D679,818 S * 4/2013 Prpa D24/186
D684,265 S * 6/2013 Cadera D24/187
D692,564 S * 10/2013 Ninomiya D24/187
D700,969 S * 3/2014 Kim D24/187
8,900,129 B2 * 12/2014 Berglund A61B 1/227
600/109
D745,686 S * 12/2015 Personelli D24/187
2012/0078110 A1 * 3/2012 Yamamoto A61B 8/42
600/459
2013/0168532 A1 * 7/2013 Schmid G01N 29/04
250/205

* cited by examiner

Primary Examiner — Anhdao Doan

(74) *Attorney, Agent, or Firm* — Stanley E. Jelic

(57) **CLAIM**

We claim the ornamental design for a thermoacoustic imaging probe, as shown and described.

DESCRIPTION

FIG. 1 is a top-front-side perspective view of a thermoacoustic imaging probe.

FIG. 2 is a back-bottom-side perspective view thereof.

FIG. 3 is a front view thereof.

FIG. 4 is a top view thereof.

FIG. 5 is a right-side view thereof.

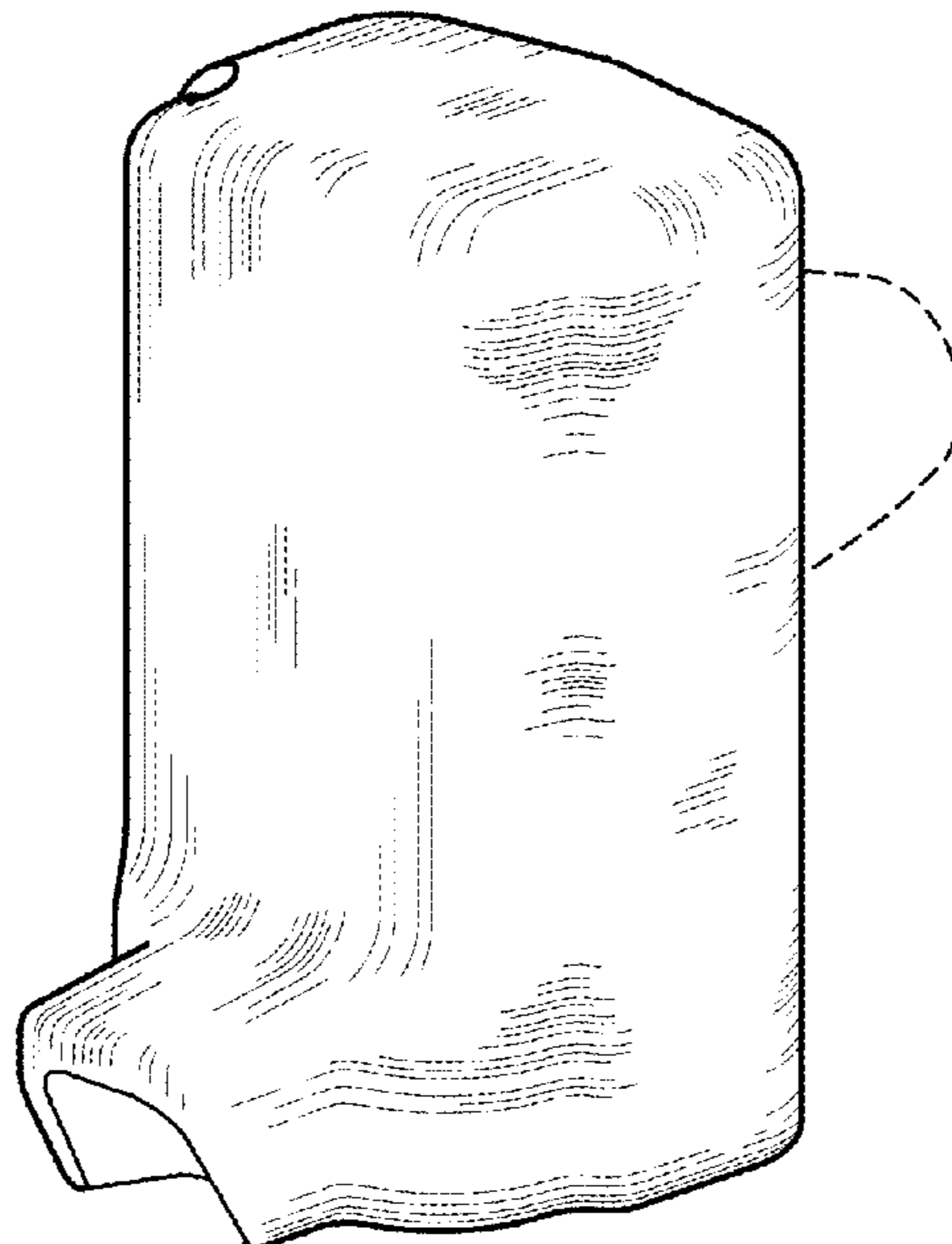
FIG. 6 is a left-side view thereof.

FIG. 7 is a back view thereof; and,

FIG. 8 is a bottom view thereof.

The broken line showing of a conduit connection represents environmental structure and forms no part of the claimed design. The remaining broken lines show portions of the thermoacoustic imaging probe that form no part of the claimed design.

1 Claim, 8 Drawing Sheets



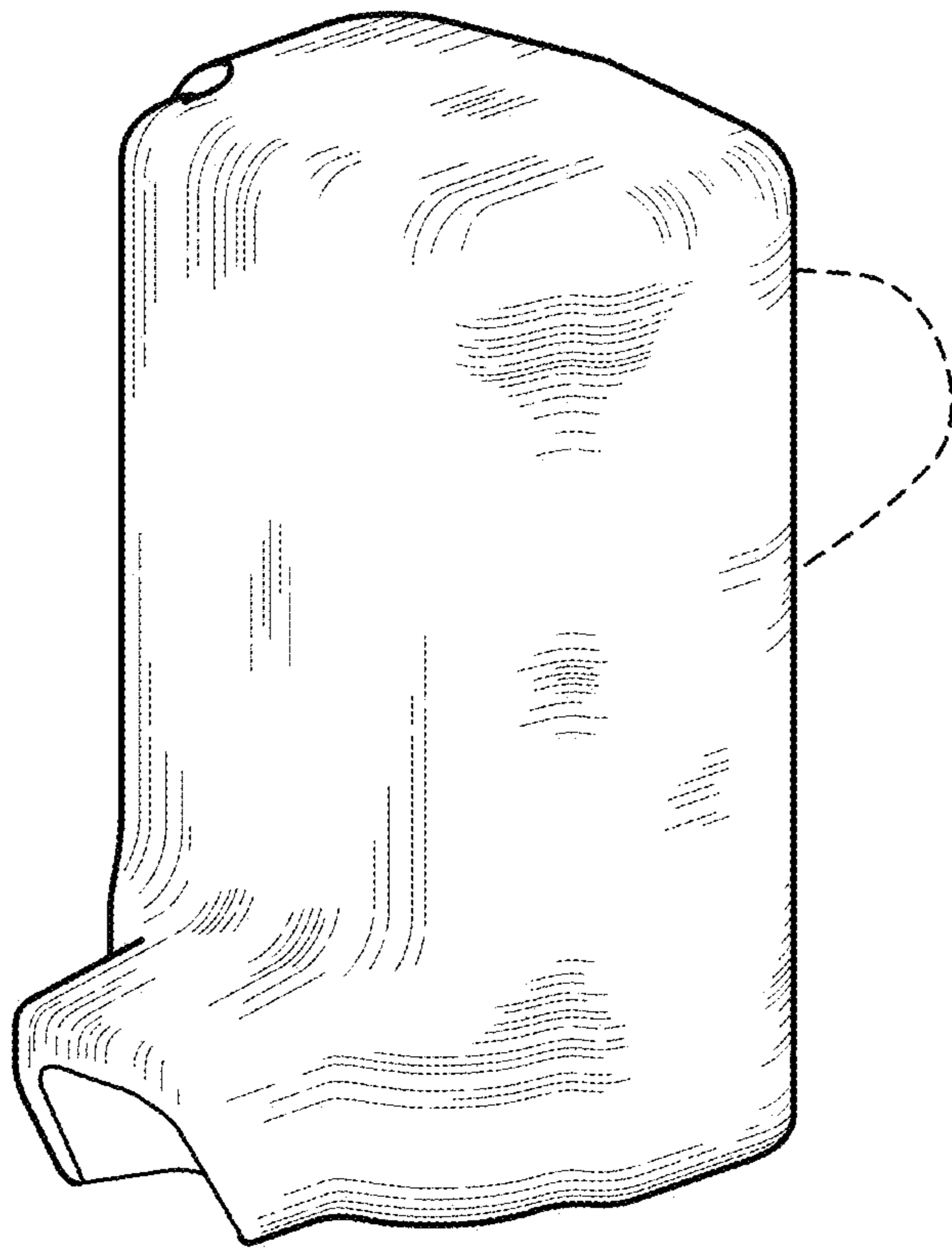


FIG. 1

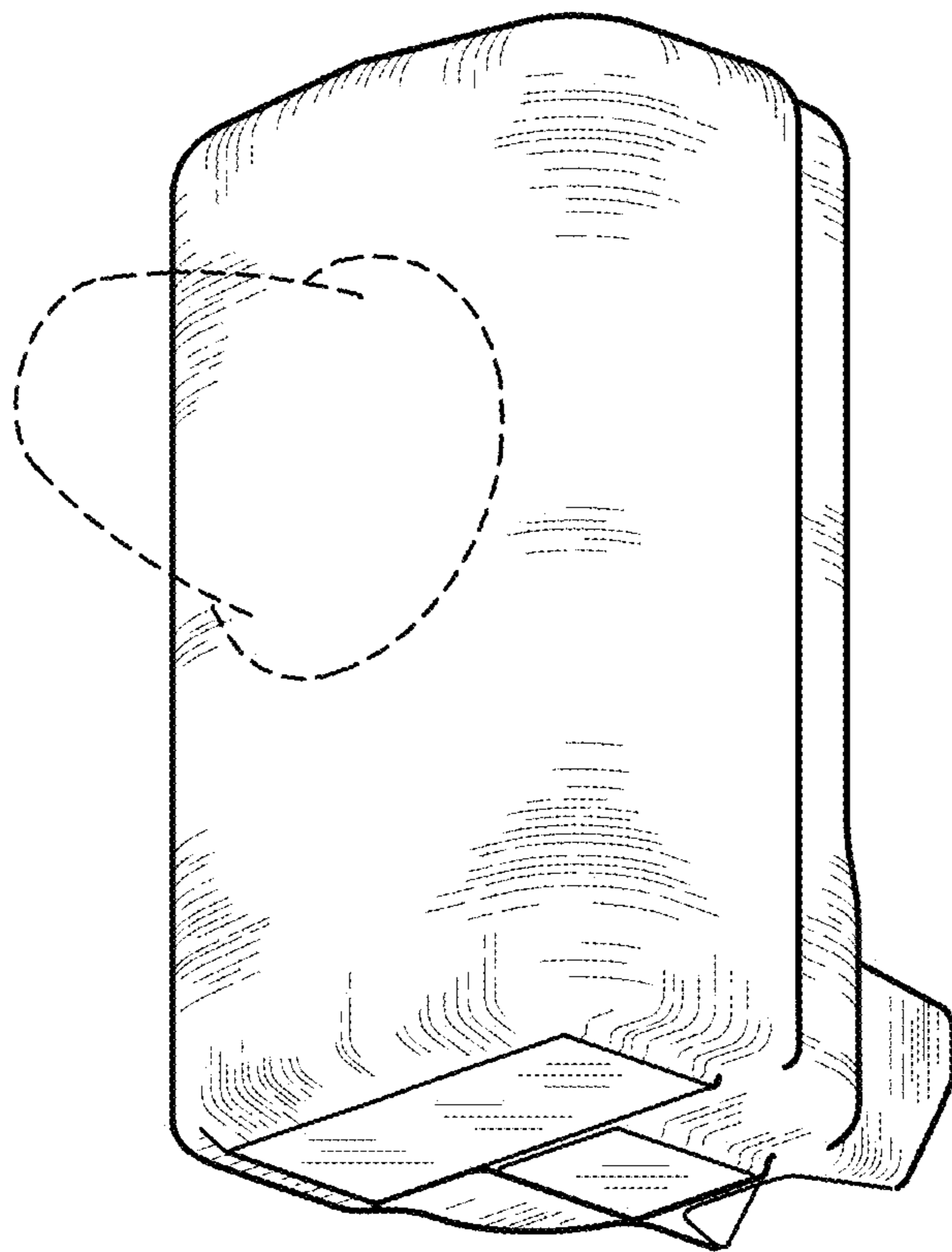


FIG. 2

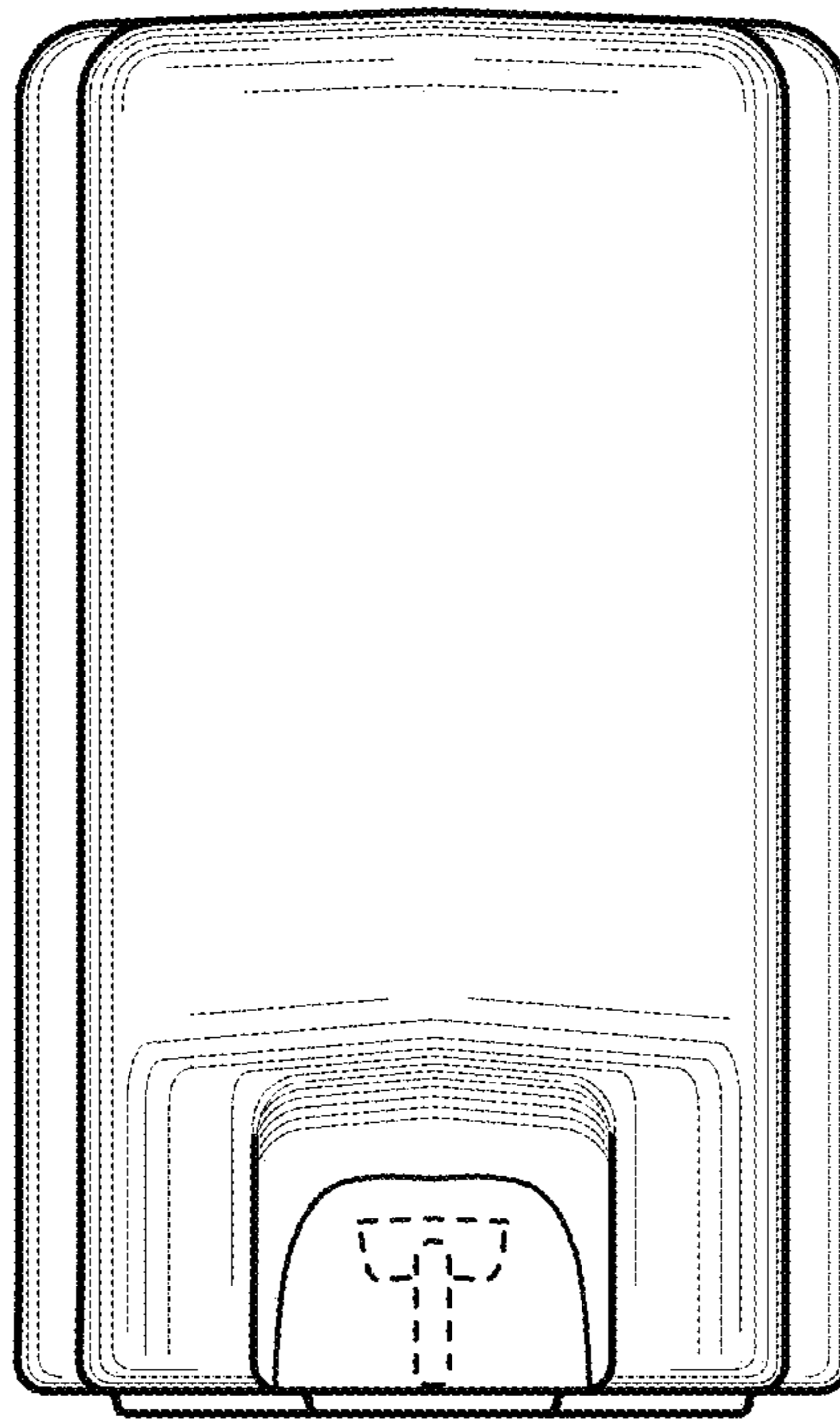


FIG. 3

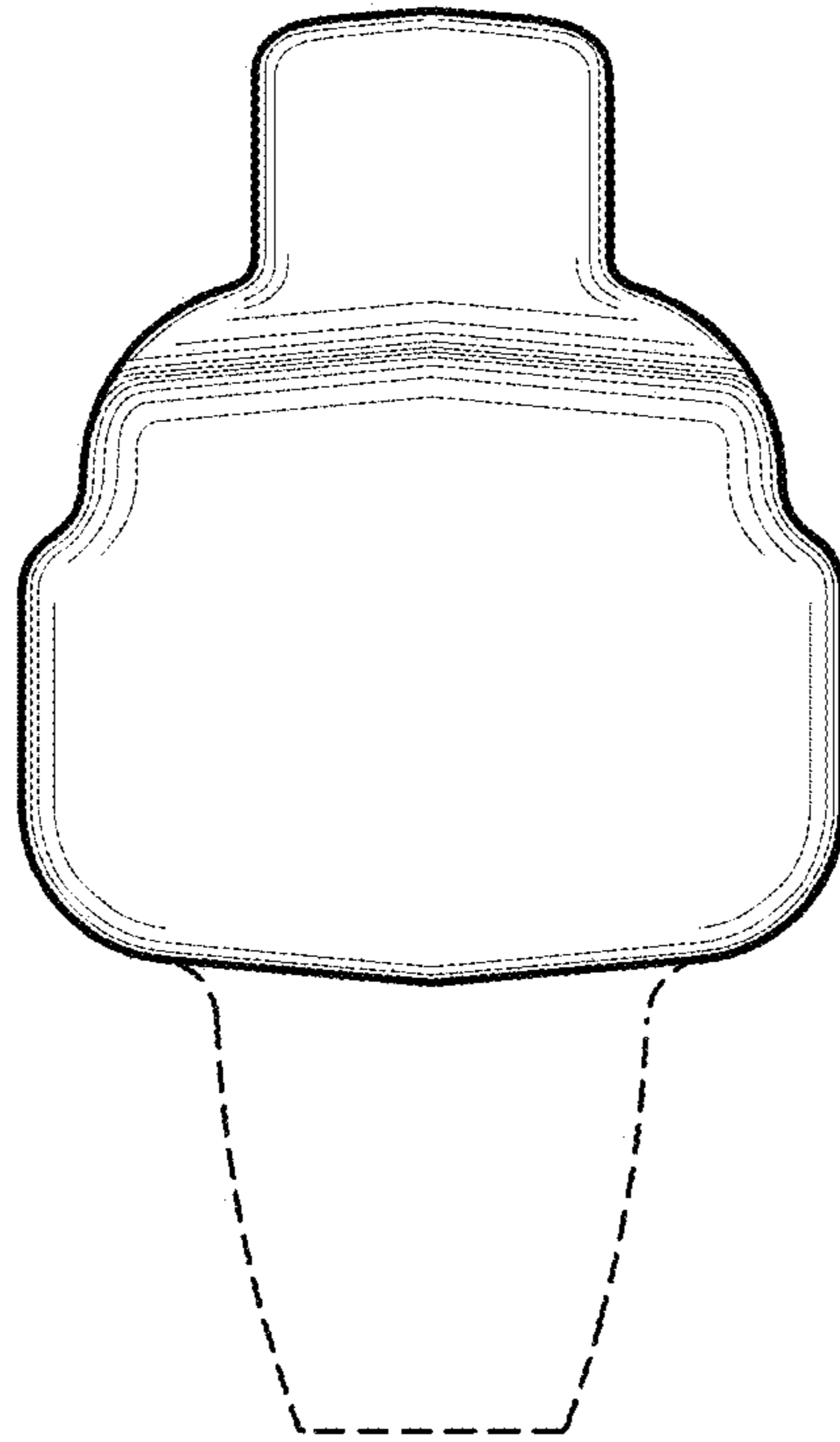


FIG. 4

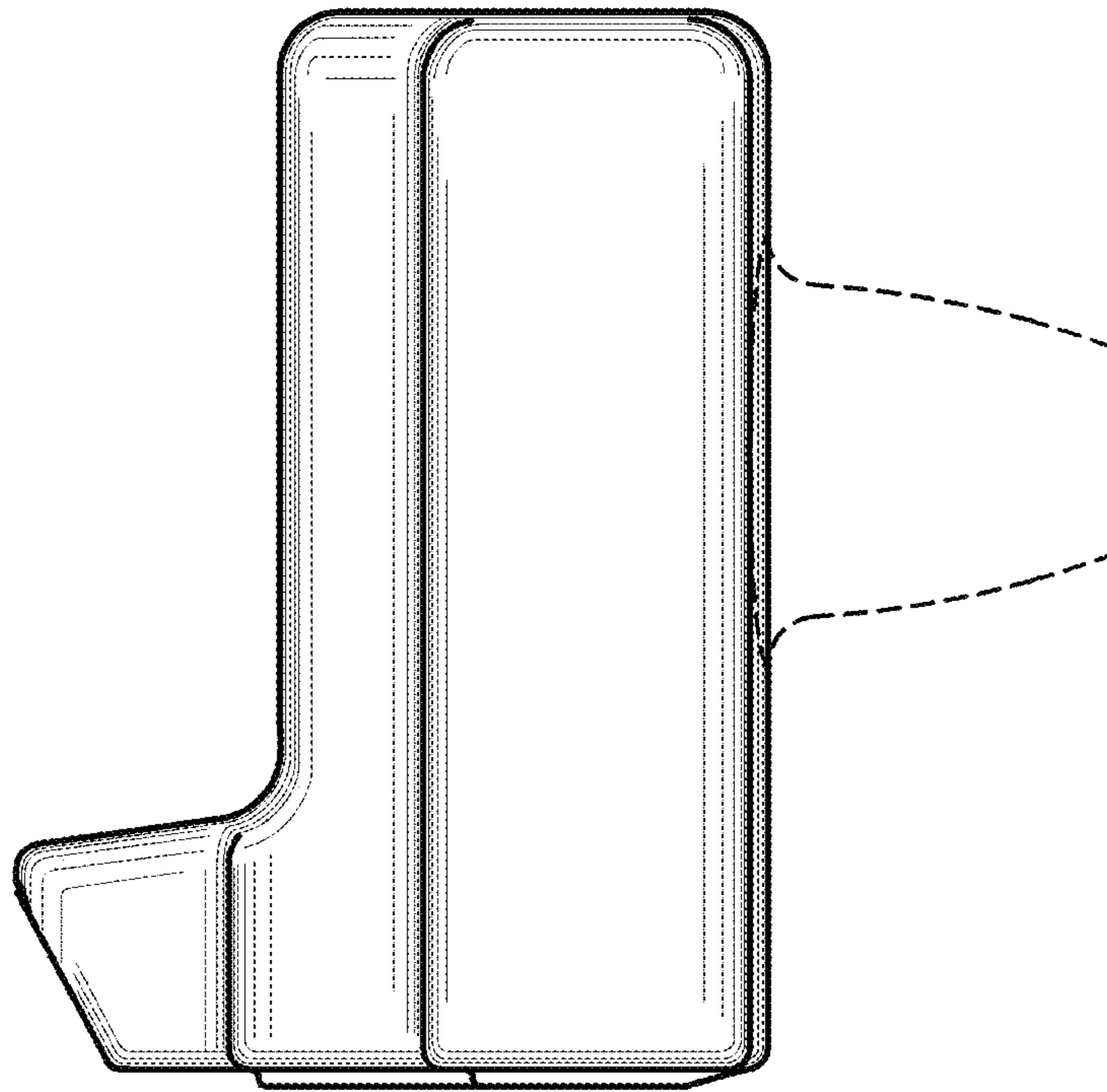


FIG. 5

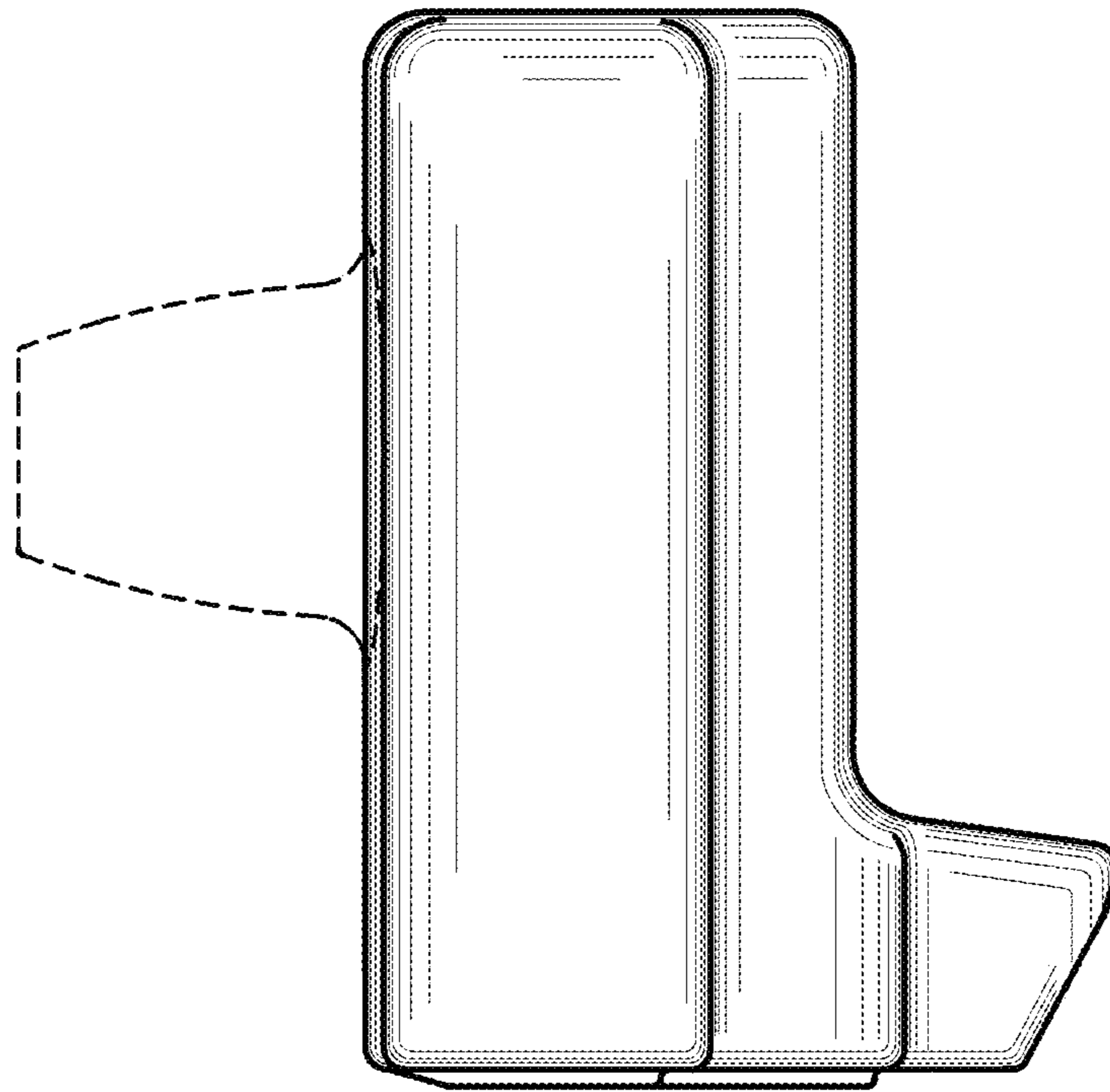


FIG. 6

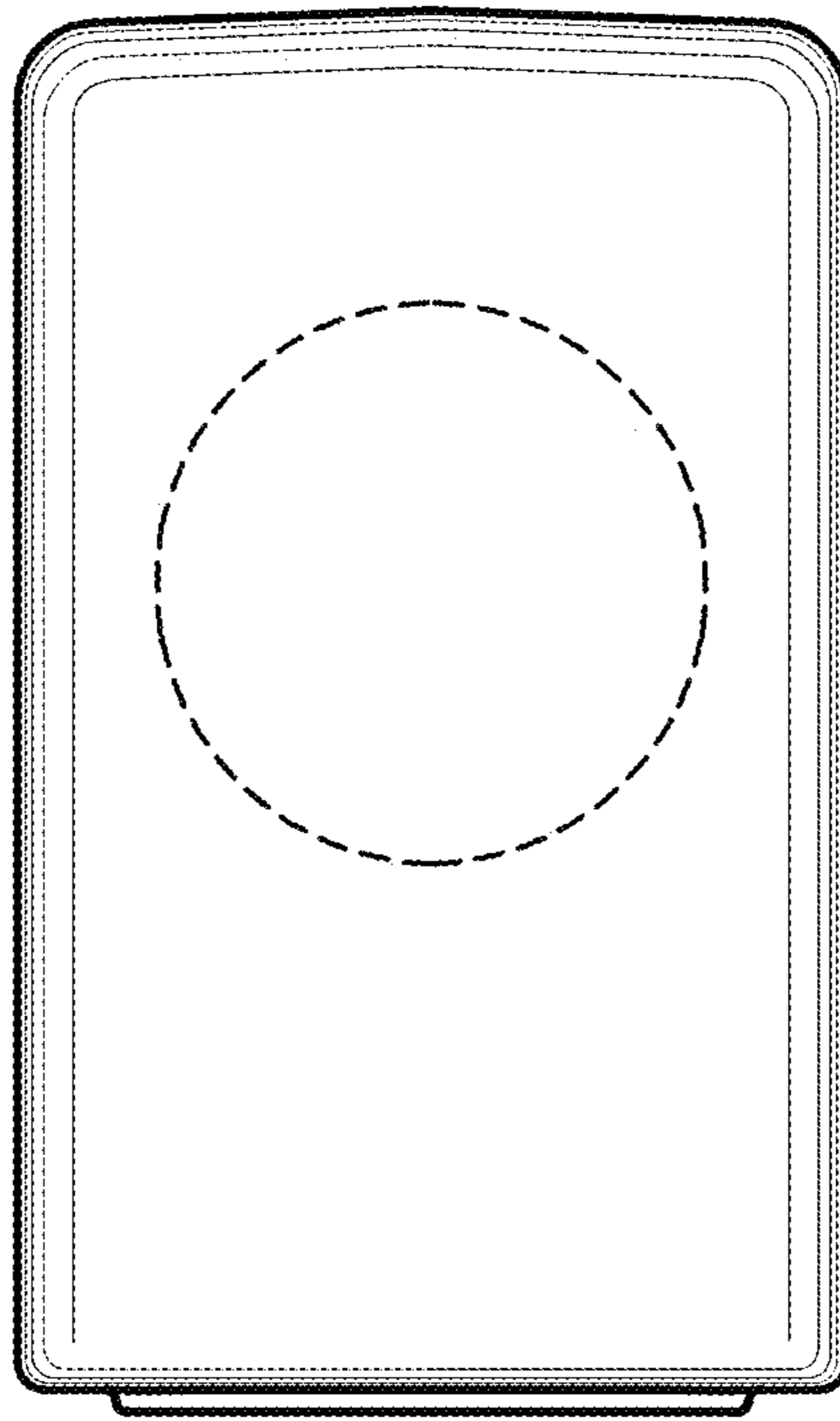


FIG. 7

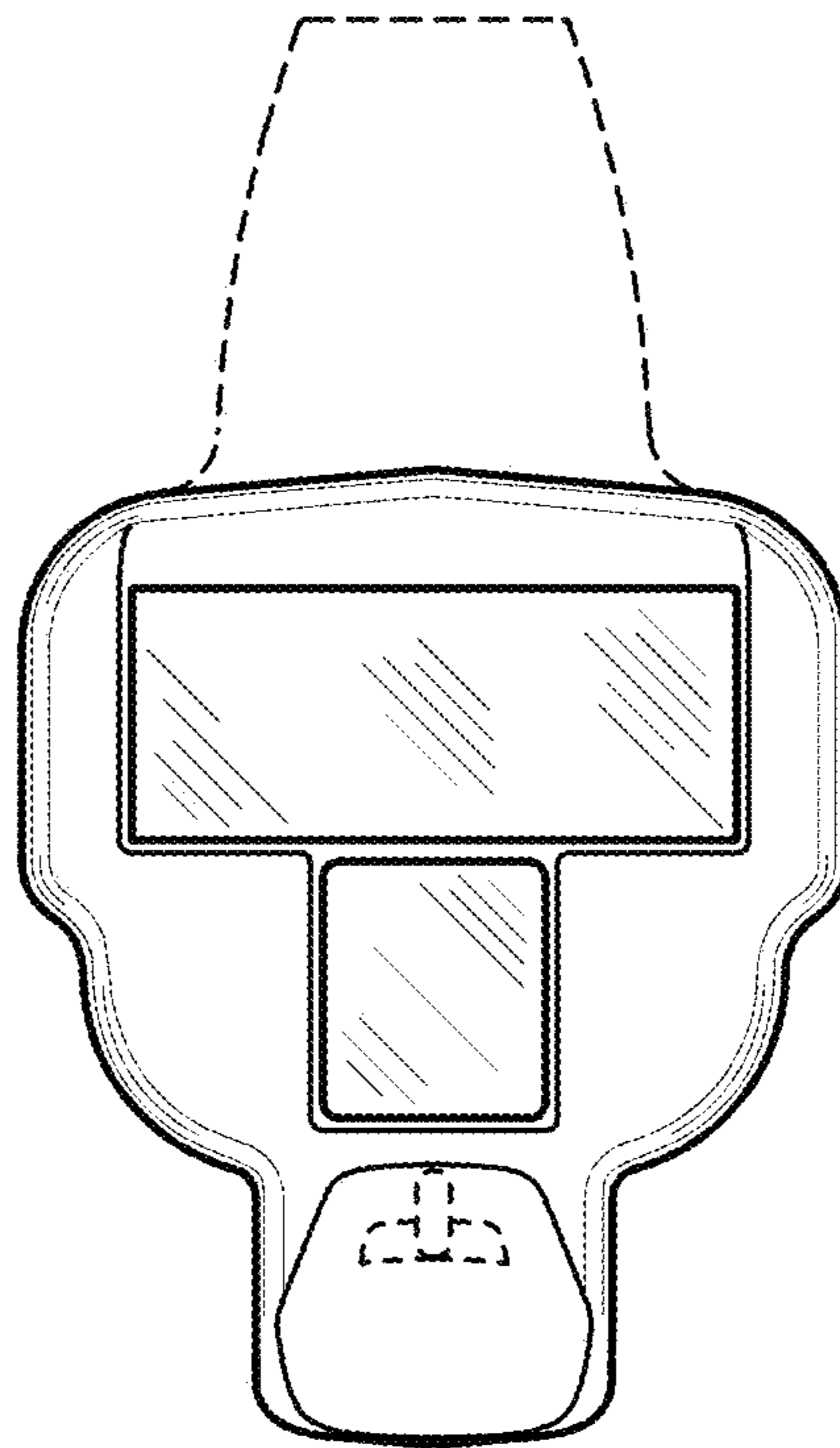


FIG. 8