



US00D883483S

(12) **United States Design Patent**  
**Hussein**

(10) **Patent No.:** **US D883,483 S**

(45) **Date of Patent:** **\*\* May 5, 2020**

(54) **DENTAL INSTRUMENT**

(71) Applicant: **University of Florida Research Foundation, Inc.**, Gainesville, FL (US)

(72) Inventor: **Hind Sattar Hussein**, Gainesville, FL (US)

(73) Assignee: **University of Florida Research Foundation, Inc.**, Gainesville, FL (US)

(\*\*) Term: **15 Years**

(21) Appl. No.: **29/677,867**

(22) Filed: **Jan. 24, 2019**

(51) **LOC (12) Cl.** ..... **24-02**

(52) **U.S. Cl.**  
USPC ..... **D24/152**

(58) **Field of Classification Search**  
USPC ..... D24/119, 133, 143, 147, 152, 153, 154, D24/156; D28/55, 56, 57, 65; D8/14, D8/105, 107, 300, 303; 433/118, 119, 433/143  
CPC ..... A61C 17/00; A61C 17/20; A61C 17/0202; A61C 17/225; A61C 3/00; A61C 3/02; A61C 3/10; A61C 3/14; A61C 3/16; A61C 15/00; A61C 15/02; A61C 15/048; A61C 1/10; A61C 1/14; A61C 7/00; A61C 7/02; A61C 7/04; A61B 1/24  
See application file for complete search history.

(56) **References Cited**

**U.S. PATENT DOCUMENTS**

D249,062 S \* 8/1978 Crafoord ..... 433/141  
D259,660 S \* 6/1981 Sosnay ..... D24/149  
4,505,678 A \* 3/1985 Andersson ..... A61C 17/00  
433/143  
D301,962 S \* 7/1989 Huang ..... D8/14  
5,816,806 A \* 10/1998 Herbst ..... A61C 3/00  
433/141  
6,042,378 A \* 3/2000 Fischer ..... A61C 3/00  
433/141

D435,293 S \* 12/2000 Tang ..... D24/119  
D439,494 S \* 3/2001 Mark ..... D24/119  
D446,858 S \* 8/2001 Holms ..... D24/152

(Continued)

*Primary Examiner* — Wan Laymon

*Assistant Examiner* — Clint A Samuel

(74) *Attorney, Agent, or Firm* — Thomas I Horstemeyer LLP

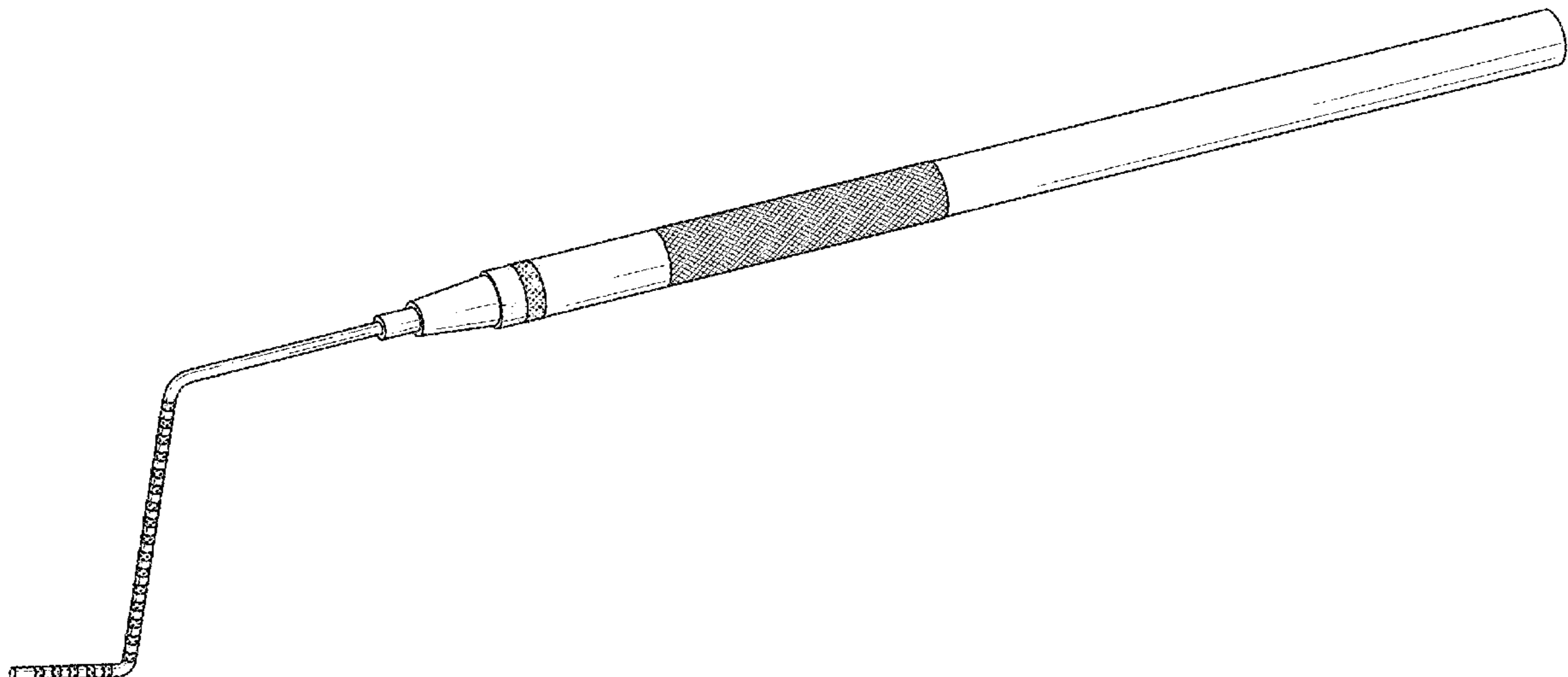
(57) **CLAIM**

The ornamental design for a dental instrument, as shown and described.

**DESCRIPTION**

FIG. 1 is a perspective view showing a first embodiment of the new design for a dental instrument;  
FIG. 2 is a side view thereof;  
FIG. 3 is a side view thereof from a side opposite that of FIG. 2;  
FIG. 4 is a rear view thereof;  
FIG. 5 is a front view thereof;  
FIG. 6 is a bottom view thereof;  
FIG. 7 is a top view thereof;  
FIG. 8 is a perspective view showing a second embodiment of the new design for a dental instrument having a callout region 15;  
FIG. 9 is a side view thereof;  
FIG. 10 is a side view thereof from a side opposite that of FIG. 9;  
FIG. 11 is a rear view thereof;  
FIG. 12 is a front view thereof;  
FIG. 13 is a bottom view thereof;  
FIG. 14 is a top view thereof; and,  
FIG. 15 is an enlarged view of the callout region 15 of FIG. 8.  
The broken line showing of the dental instrument is for environmental purposes only and forms no part of the claimed design.

**1 Claim, 9 Drawing Sheets**



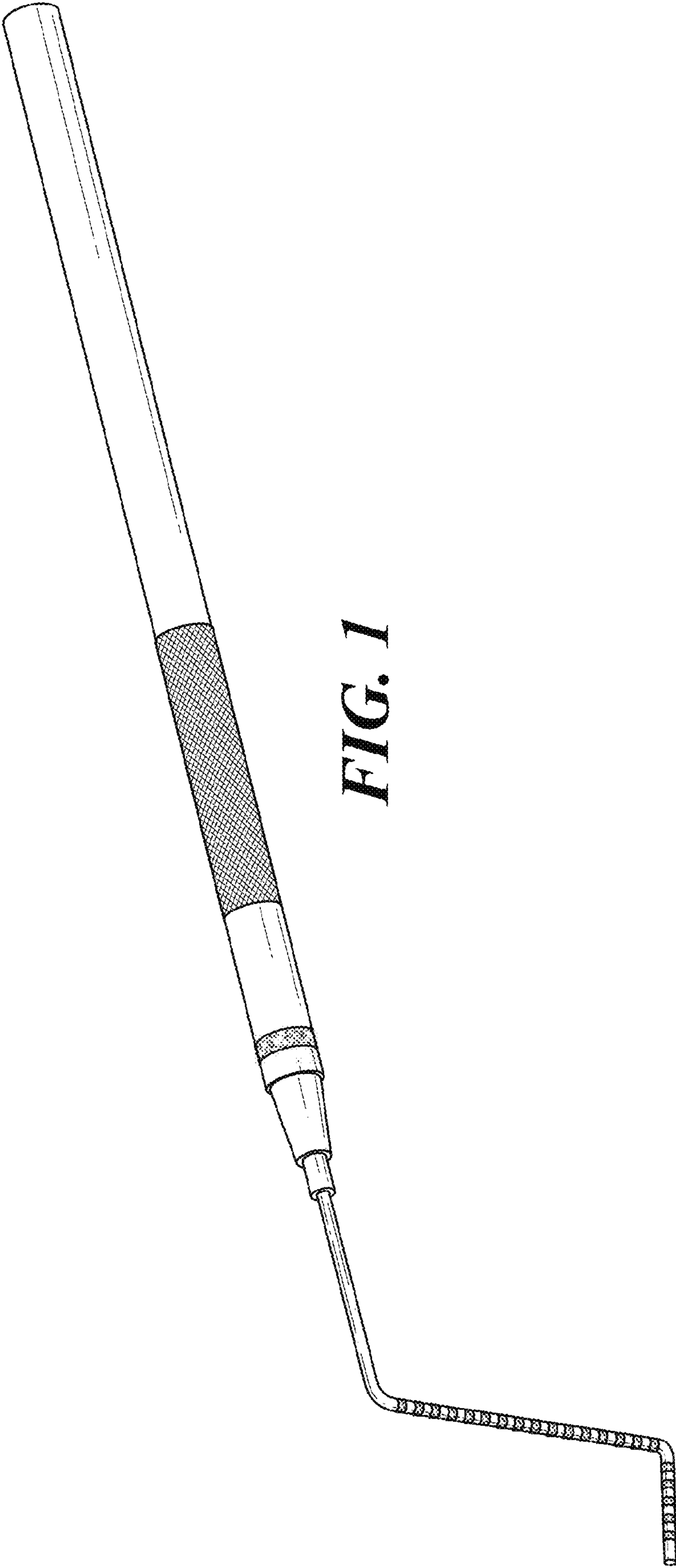
(56)

**References Cited**

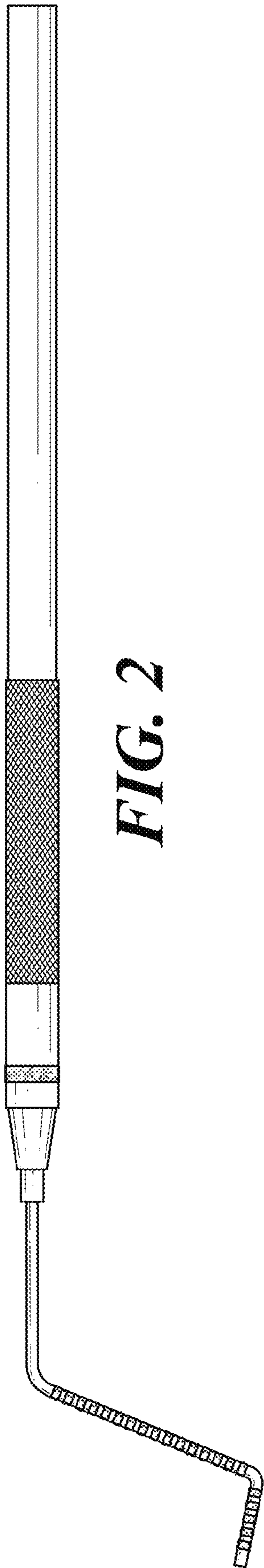
U.S. PATENT DOCUMENTS

6,322,362	B1 *	11/2001	Holms	.....	A61C 3/00 433/141
D458,682	S *	6/2002	Szymaitis	.....	D24/152
D492,413	S *	6/2004	Willat	.....	D24/152
D496,132	S *	9/2004	Desai	.....	D28/65
D522,141	S *	5/2006	Chung	.....	D24/152
D743,550	S *	11/2015	Lim	.....	D24/152
D745,154	S *	12/2015	Pace	.....	D24/146
D750,247	S *	2/2016	Cho	.....	D24/152
D785,796	S *	5/2017	Efinger	.....	D24/147
D803,400	S *	11/2017	Latif	.....	D24/154
D809,138	S *	1/2018	Khan	.....	D24/133
D810,292	S *	2/2018	Chou	.....	D24/152
2008/0014553	A1 *	1/2008	Garrison	.....	A61C 3/08 433/164
2010/0184000	A1 *	7/2010	Beach	.....	A61C 3/00 433/143
2011/0117519	A1 *	5/2011	Yamada	.....	A61C 3/00 433/141
2018/0085192	A1 *	3/2018	Lasner	.....	A61C 3/14
2019/0104983	A1 *	4/2019	Hussein	.....	A61B 5/4547

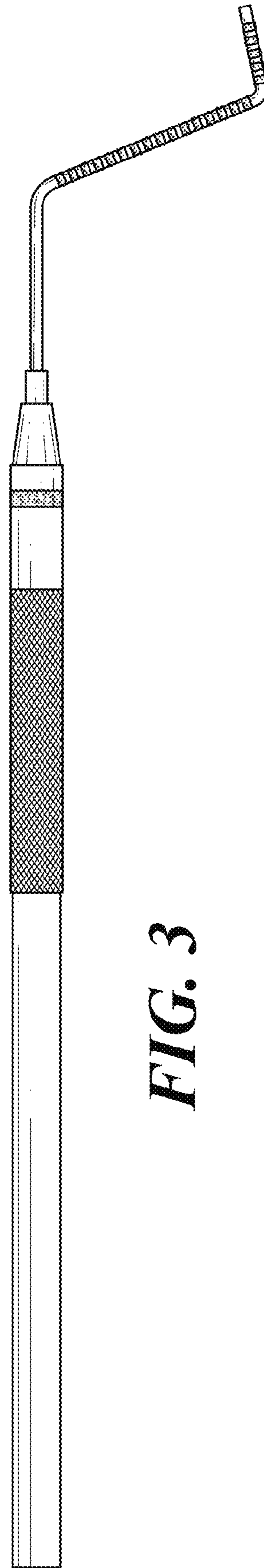
\* cited by examiner



**FIG. 1**



**FIG. 2**



**FIG. 3**



***FIG. 4***



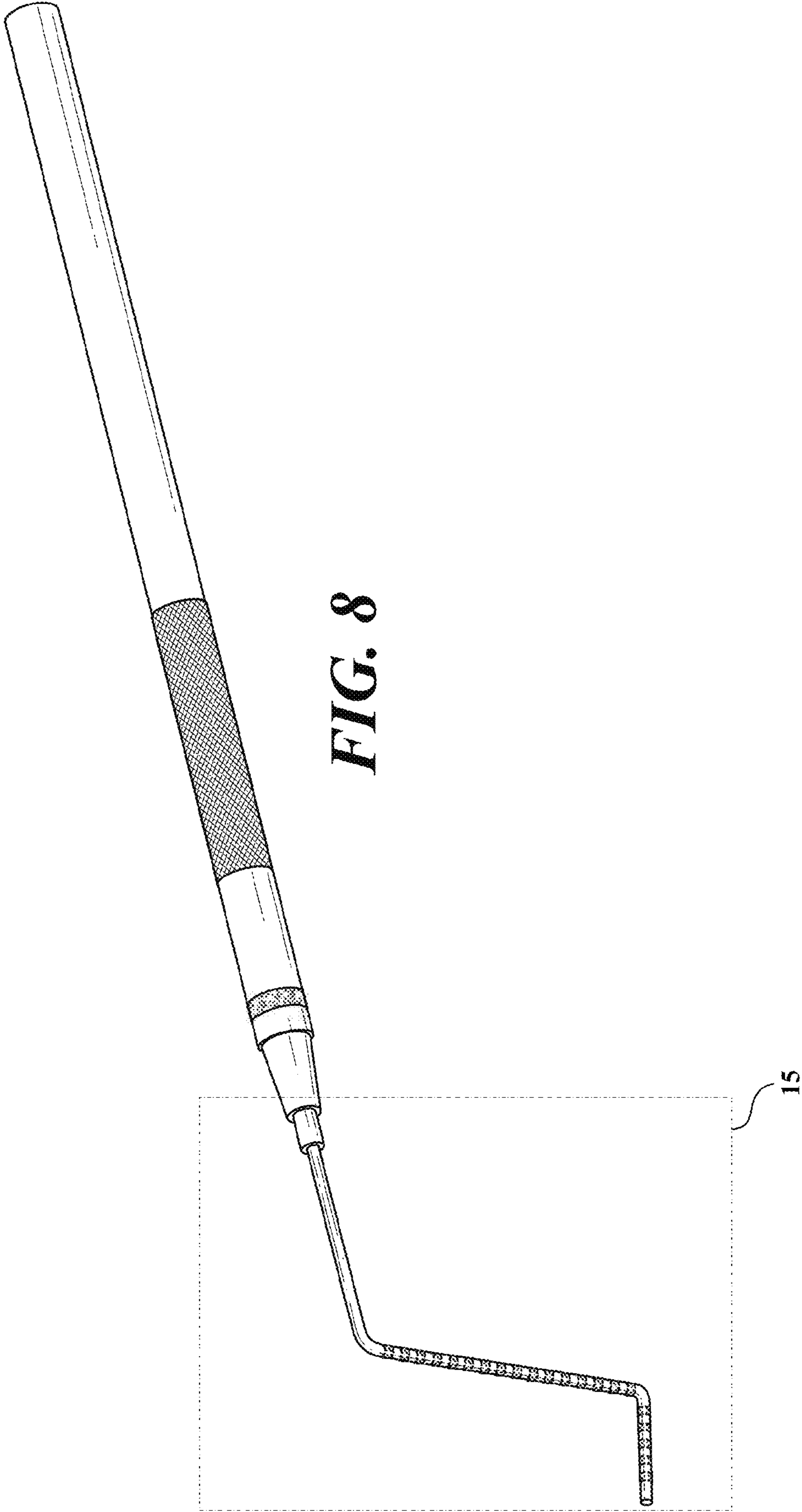
***FIG. 5***



**FIG. 6**

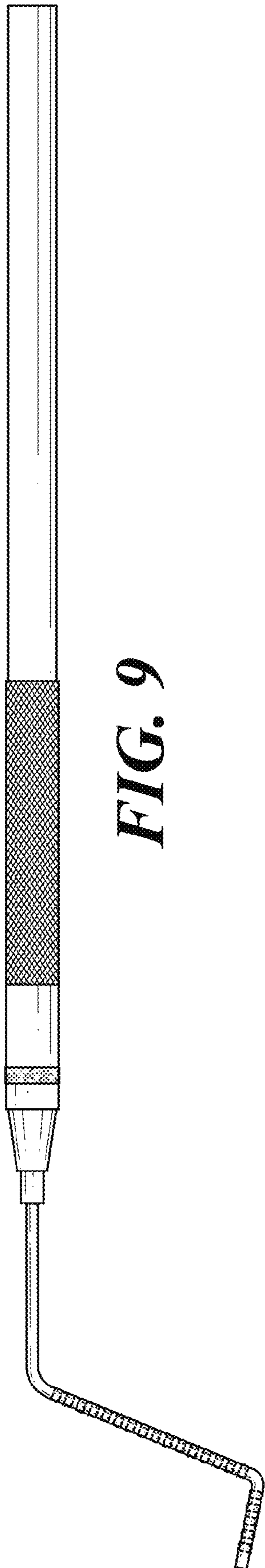


**FIG. 7**

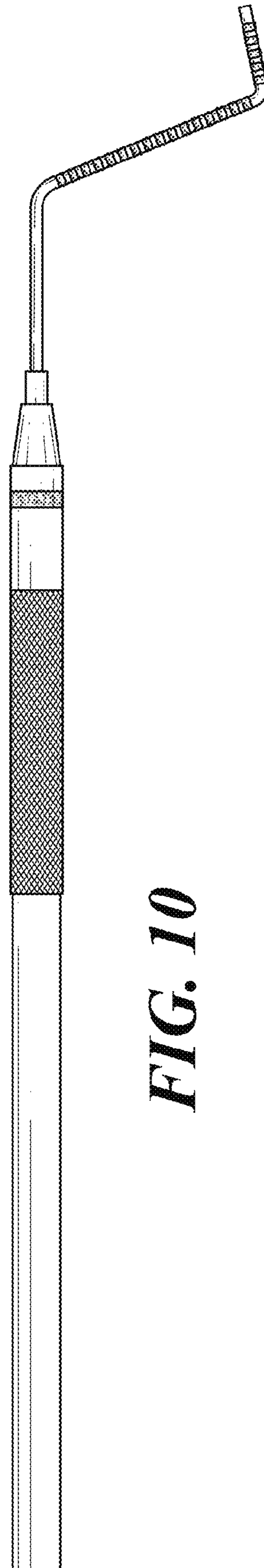


**FIG. 8**

15



**FIG. 9**



**FIG. 10**

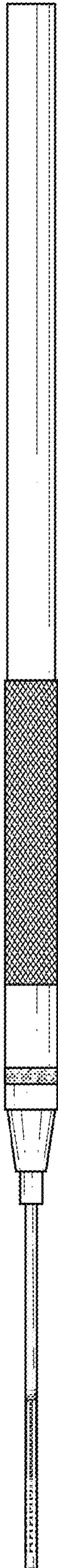




***FIG. 11***



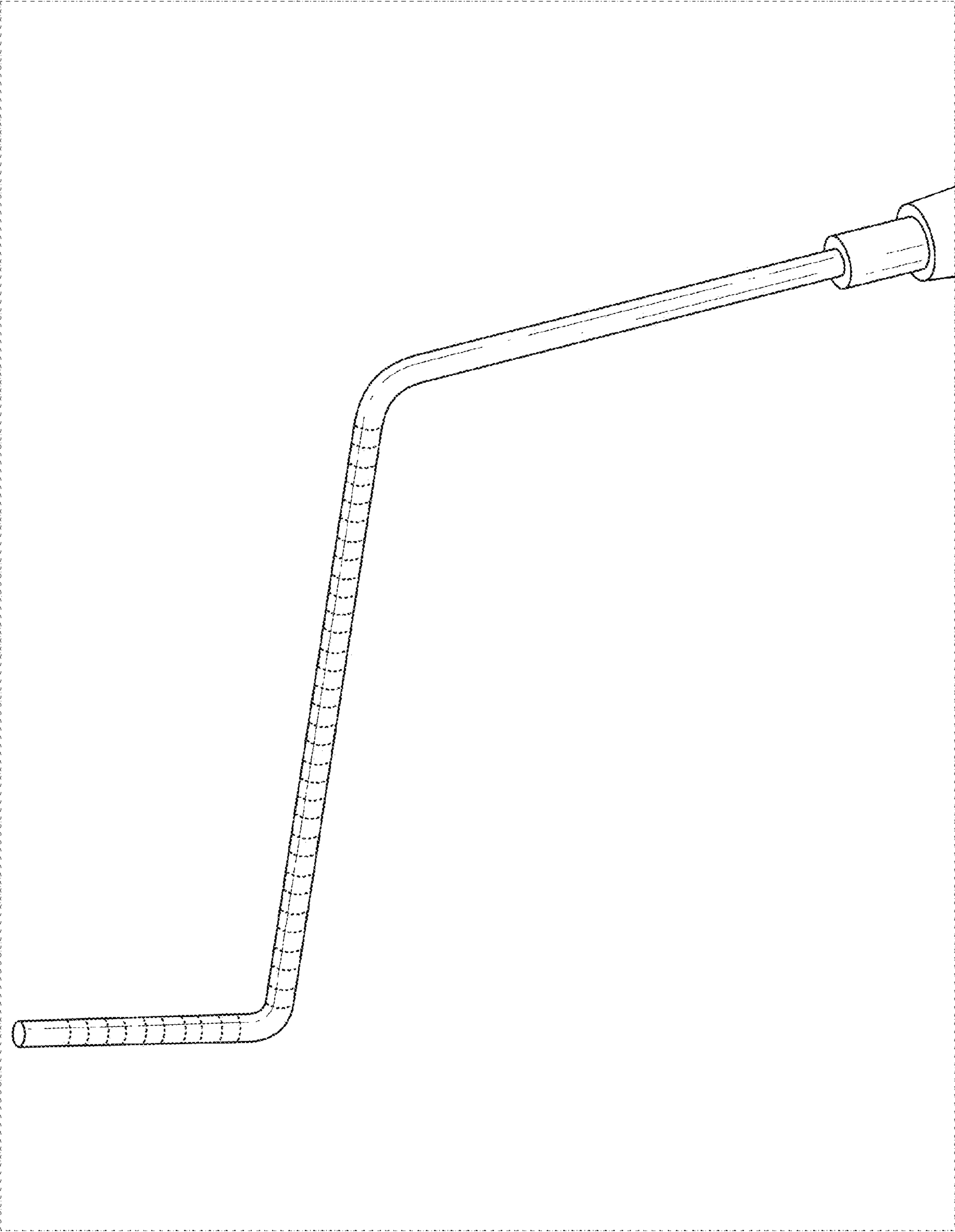
***FIG. 12***



*FIG. 13*



*FIG. 14*



**FIG. 15**